



US00D963861S

(12) **United States Design Patent**
Dulude et al.

(10) **Patent No.:** **US D963,861 S**
(45) **Date of Patent:** **** Sep. 13, 2022**

- (54) **PET IMAGING SCANNER**
- (71) Applicant: **Siemens Medical Solutions USA, Inc.**,
Malvern, PA (US)
- (72) Inventors: **Michael Dulude**, Noth Barrington, IL
(US); **Ansgar Graw**, Chicago, IL (US)
- (73) Assignee: **Siemens Medical Solutions USA, Inc.**,
Malvern, PA (US)

- D726,916 S * 4/2015 Kim D24/158
- D728,105 S * 4/2015 Kim D24/158
- D768,299 S * 10/2016 Kim D24/158
- D931,463 S * 9/2021 Achleitner D24/158
- 2002/0180397 A1* 12/2002 Henley A61B 6/0487
318/687
- 2012/0059242 A1* 3/2012 Caruba A61B 6/037
600/411
- 2013/0119259 A1* 5/2013 Martin A61B 6/037
250/363.03
- 2020/0245966 A1* 8/2020 I A61B 6/035

(**) Term: **15 Years**

(21) Appl. No.: **29/652,648**

(22) Filed: **Oct. 15, 2020**

(51) **LOC (13) Cl.** **24-01**

(52) **U.S. Cl.**
USPC **D24/158; D24/159**

(58) **Field of Classification Search**
USPC D24/107, 158-161, 185, 186, 183, 184
CPC .. A61B 6/03; A61B 6/035; A61B 5/05; A61B
5/055; A61B 6/037; A61B 6/0407; A61B
6/0487

See application file for complete search history.

(56) **References Cited**

U.S. PATENT DOCUMENTS

- D527,105 S * 8/2006 Kitayama D24/158
- D715,943 S * 10/2014 Zhang D24/159

* cited by examiner

Primary Examiner — Anhdao Doan

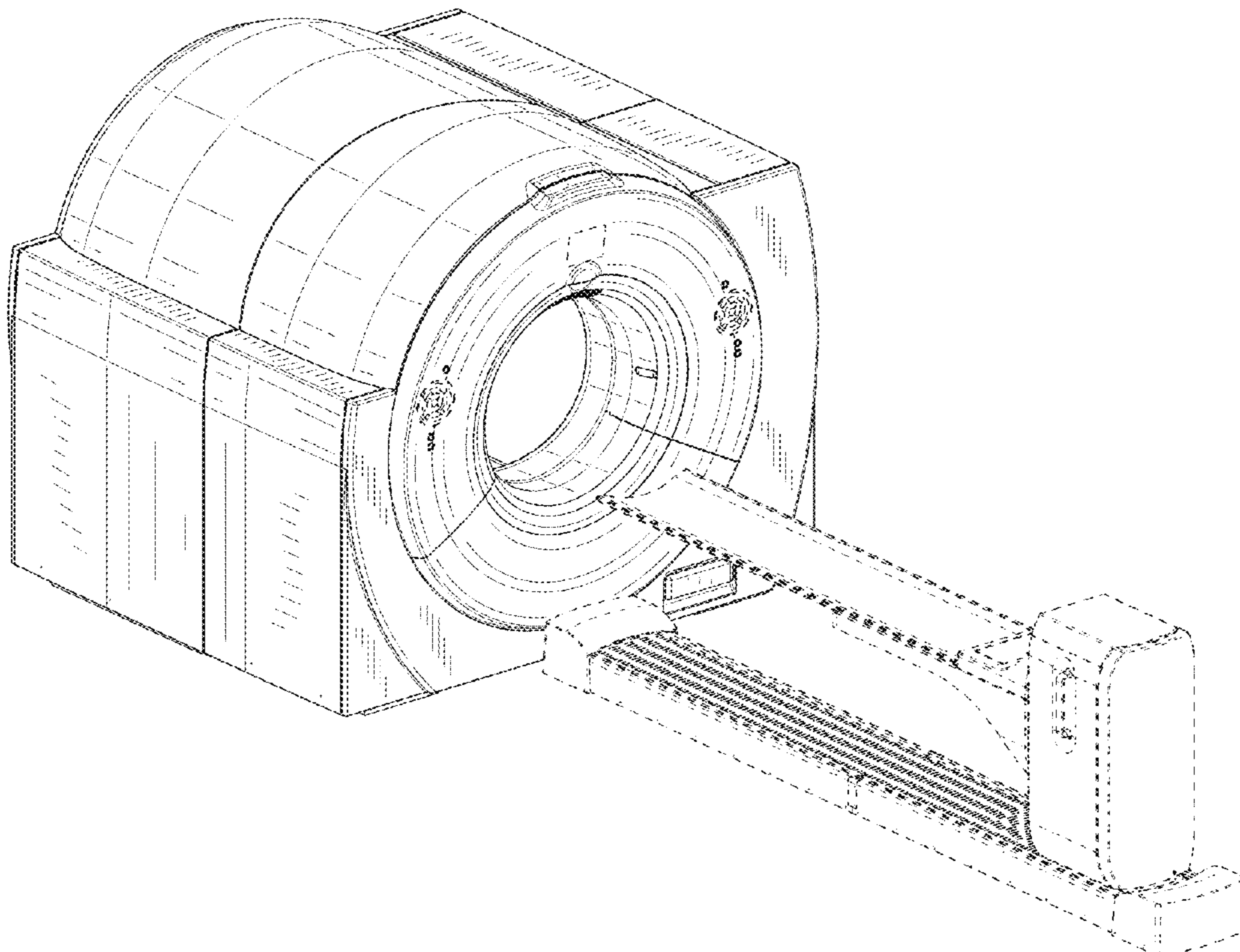
(57) **CLAIM**

The ornamental design for a pet imaging scanner, as shown and described.

DESCRIPTION

FIG. 1 is a perspective view of the pet imaging scanner. FIG. 2 is a first side view of the pet imaging scanner. FIG. 3 is a second side view of the pet imaging scanner. FIG. 4 is a top view of the pet imaging scanner. FIG. 5 is a bottom view of the pet imaging scanner. FIG. 6 is a front view of the pet imaging scanner; and, FIG. 7 is a back view of the pet imaging scanner. The broken lines showing a bed represent environmental structure and form no part of the claimed design; and the other broken lines illustration portions of the pet imaging scanner that form no part of the claimed design.

1 Claim, 6 Drawing Sheets



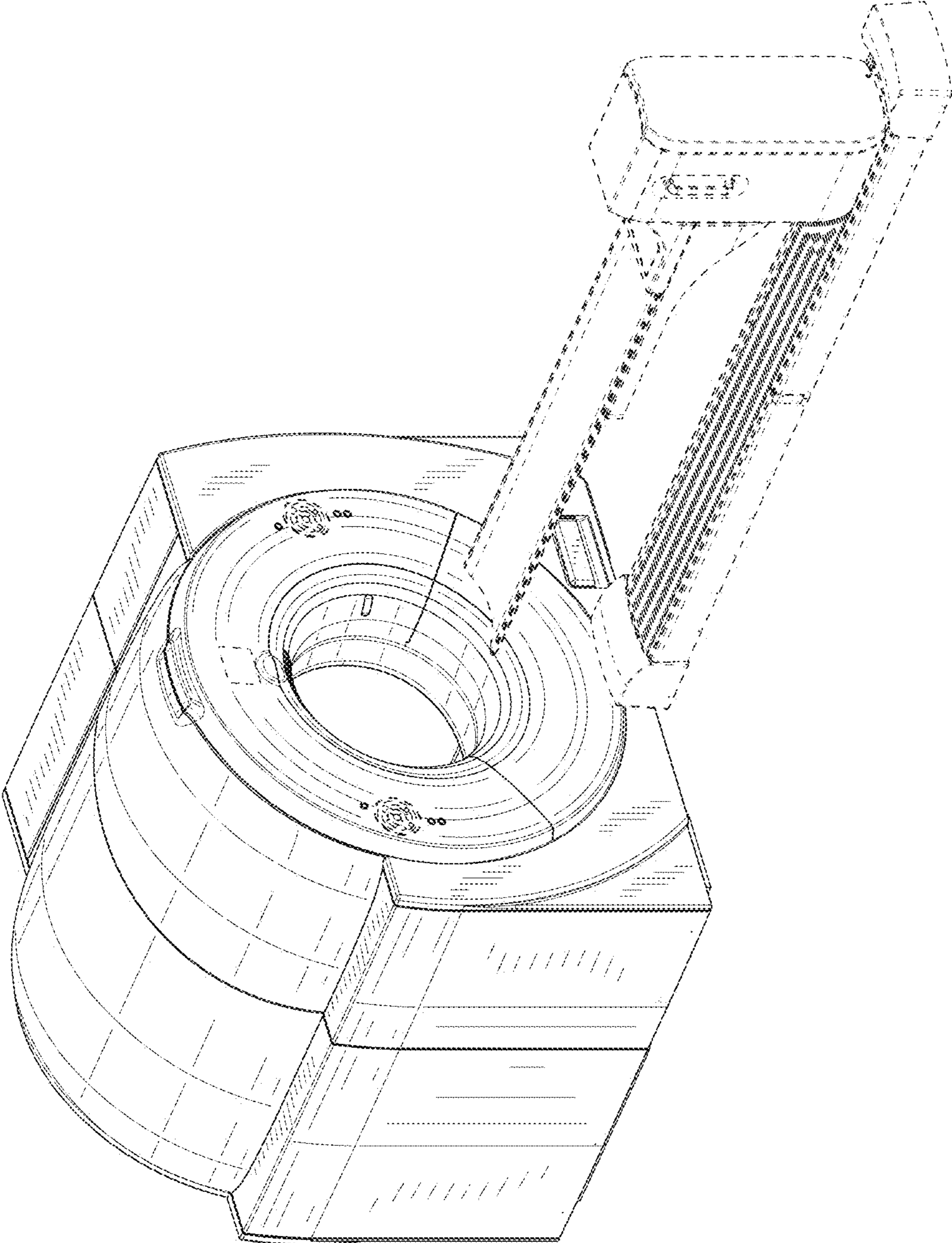


FIG. 1

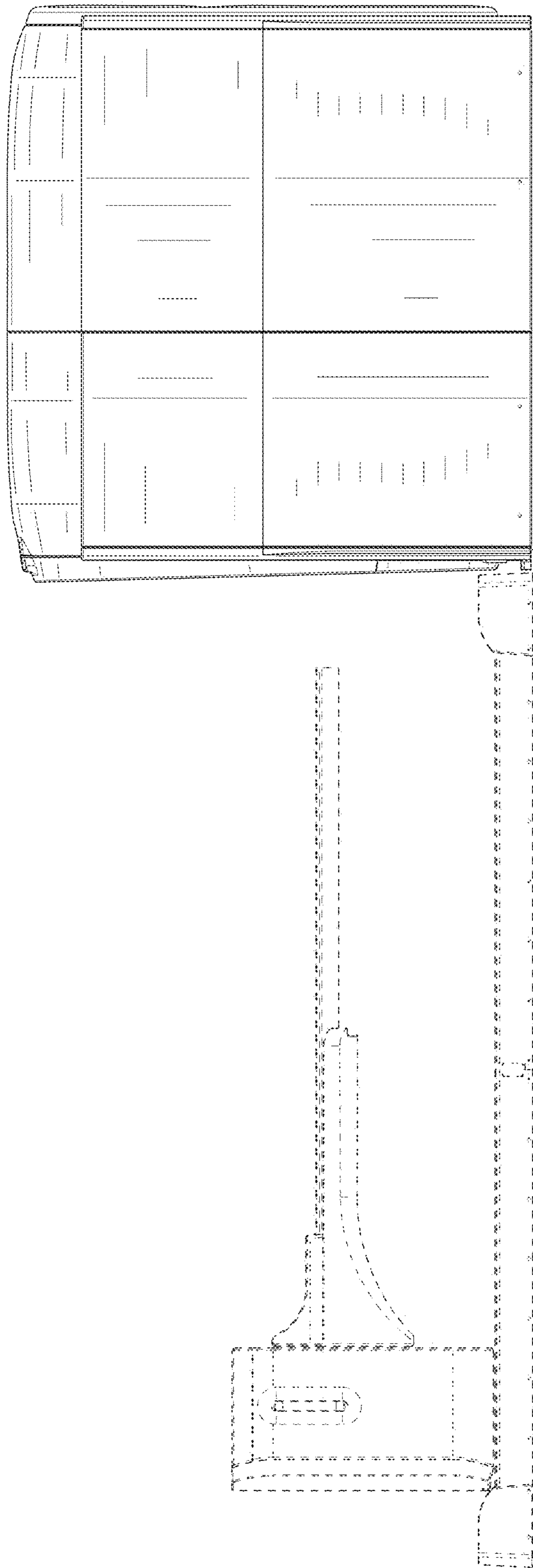


FIG. 2

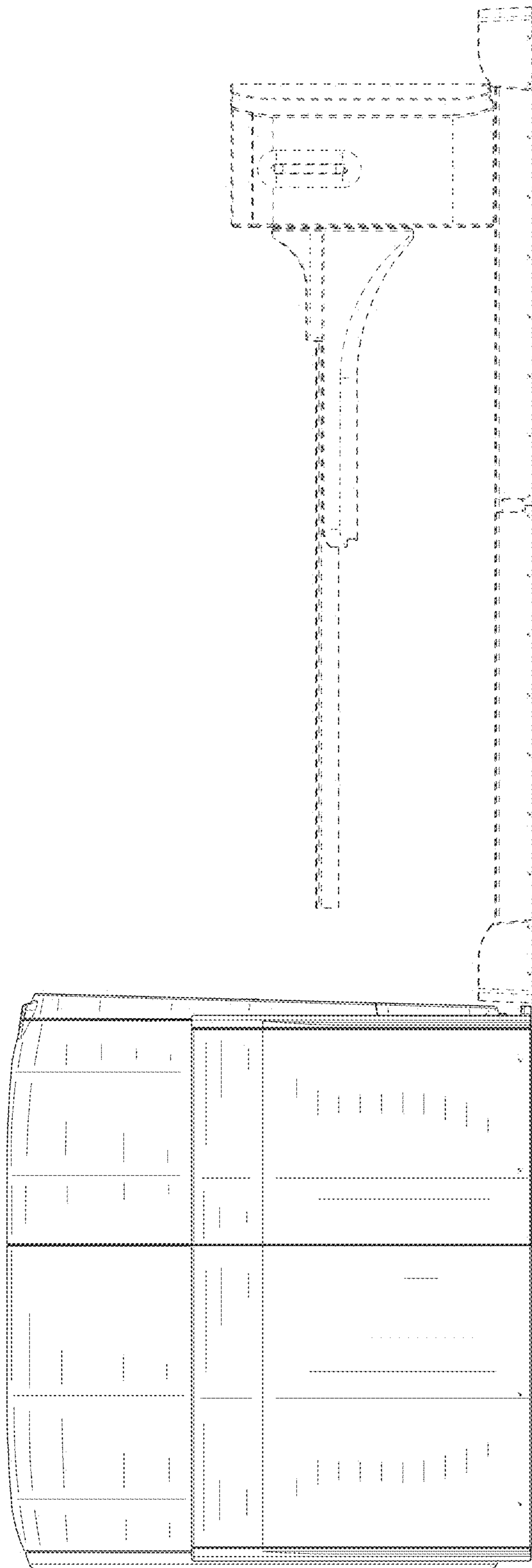


FIG. 3

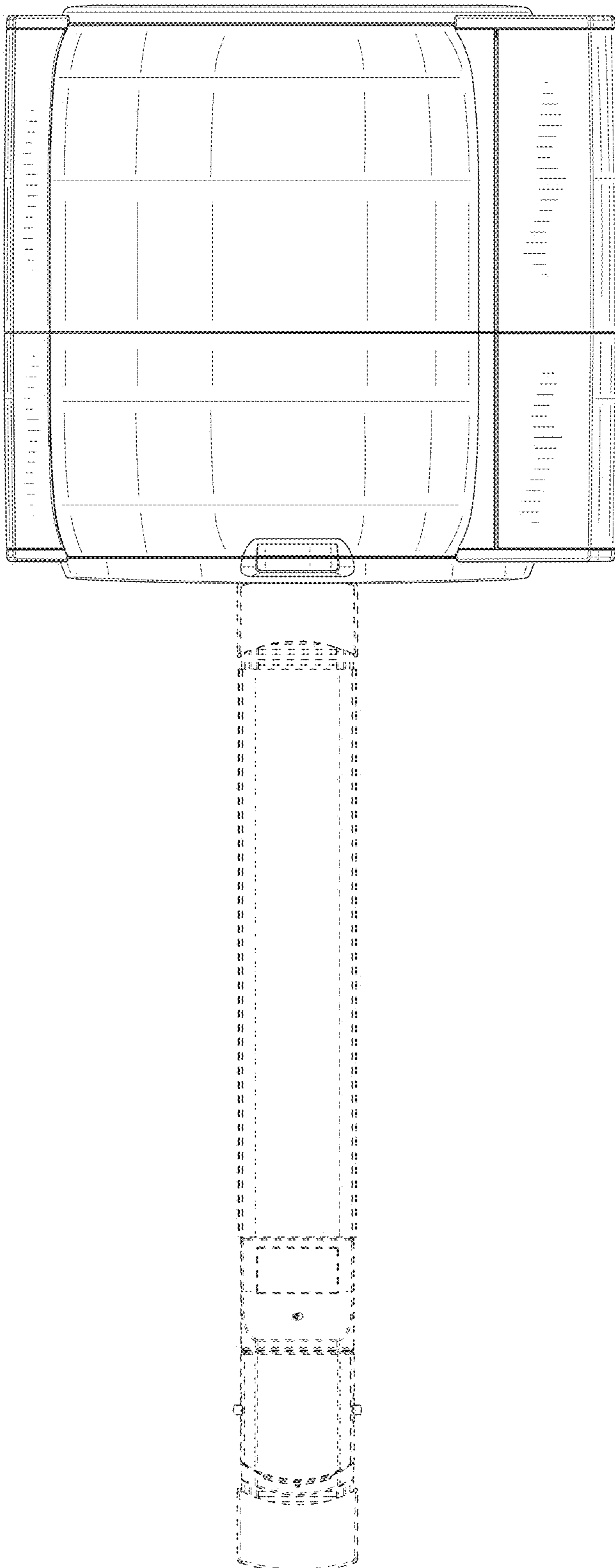


FIG. 4

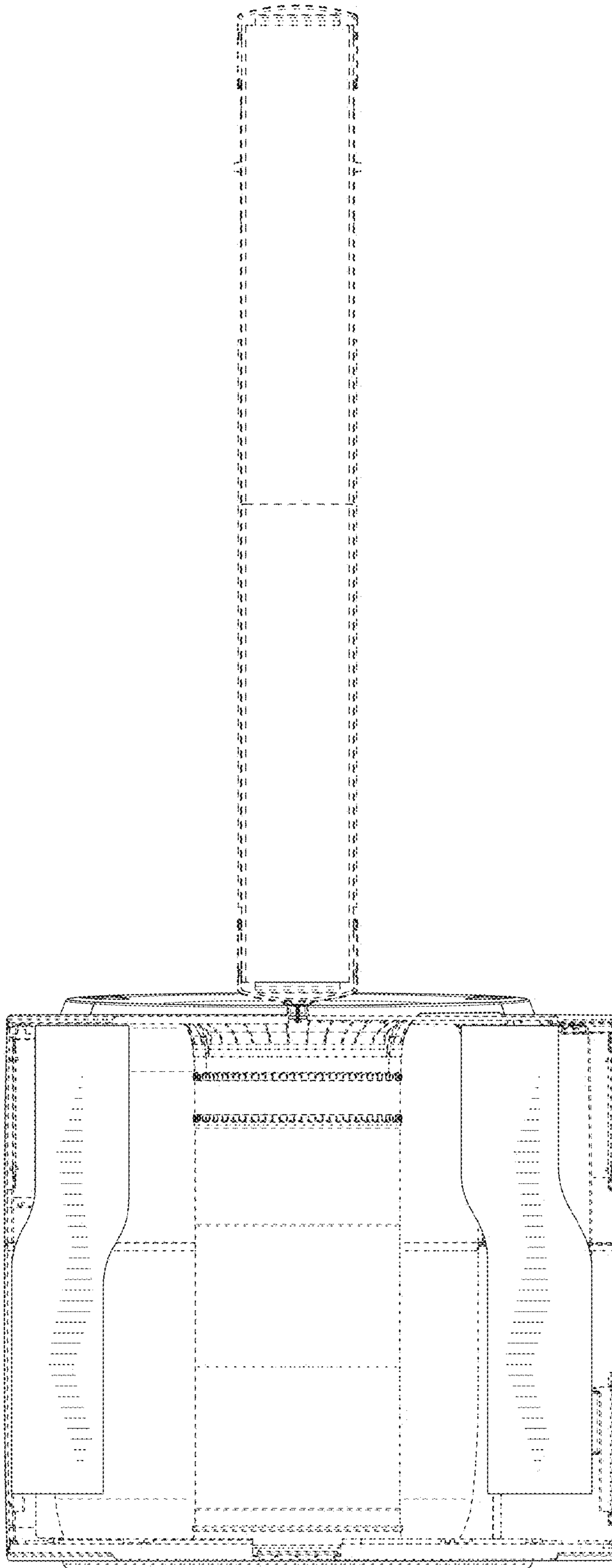


FIG. 5

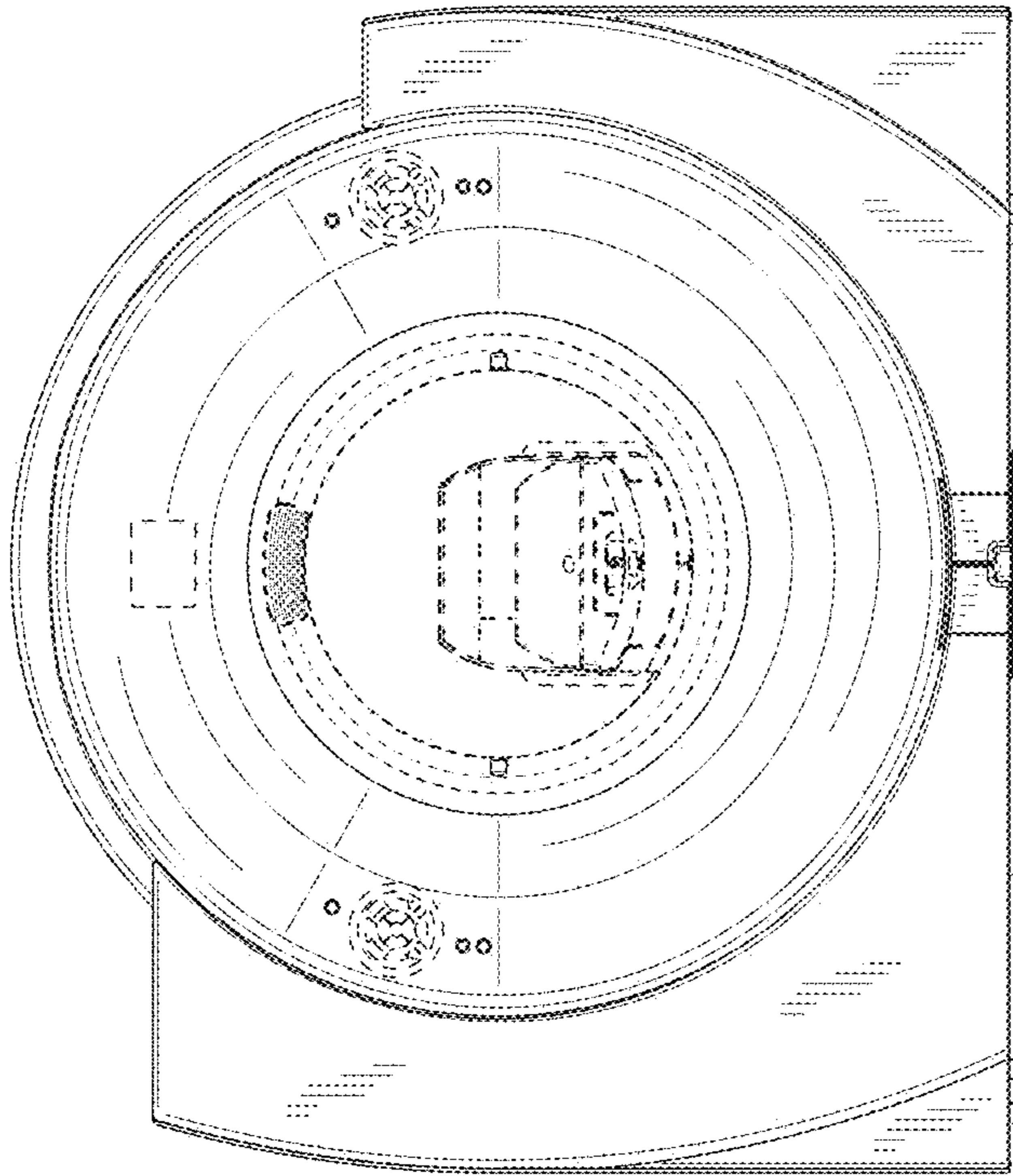


FIG. 7

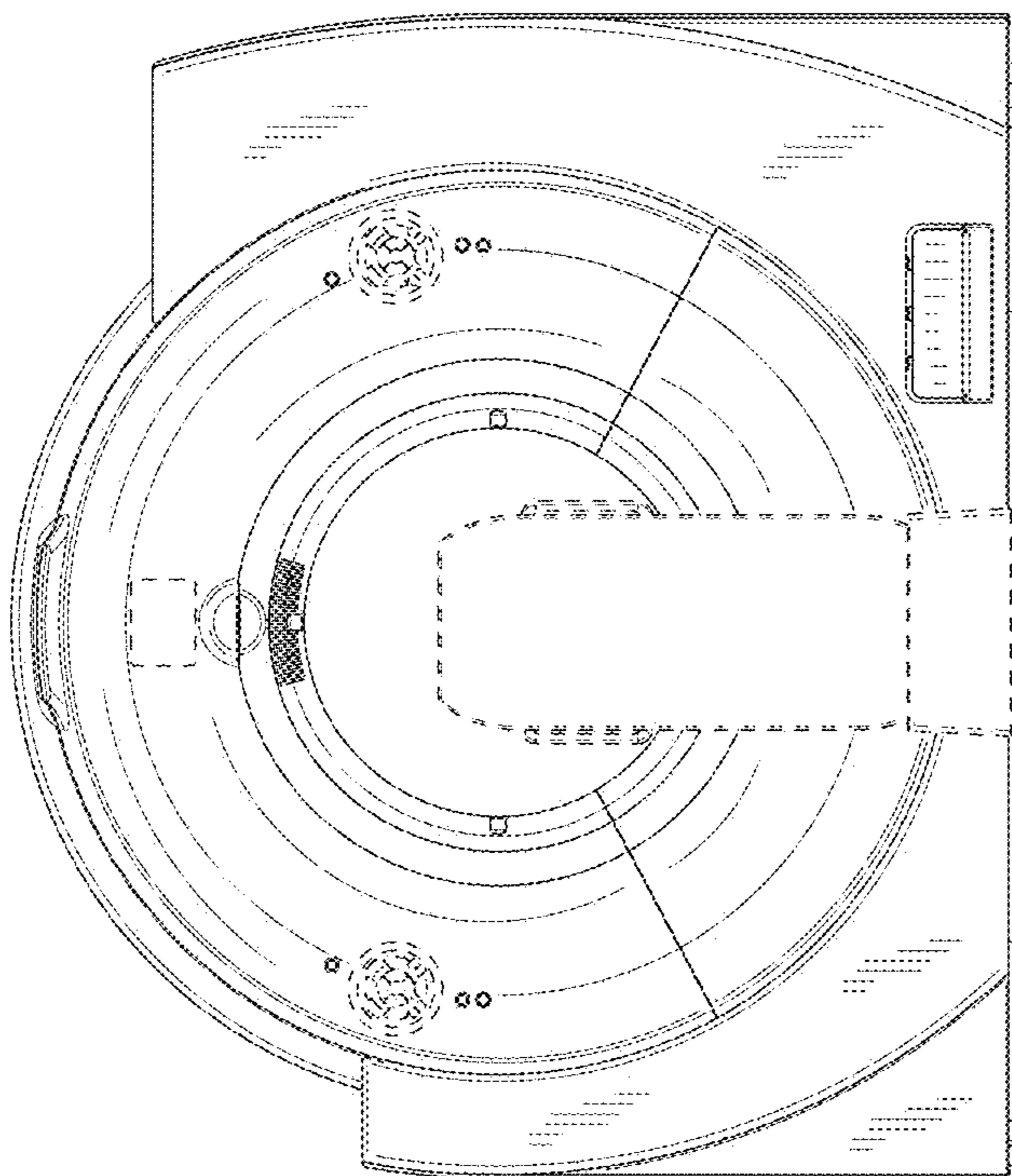


FIG. 6