



US00D963860S

(12) **United States Design Patent**  
**Han et al.**

(10) **Patent No.:** **US D963,860 S**

(45) **Date of Patent:** **\*\* Sep. 13, 2022**

(54) **TOOTH POLISHER**

(71) Applicant: **SHENZHEN MICRO ELECTRIC INTELLIGENCE CO., LTD.**,  
Shenzhen (CN)

(72) Inventors: **Fangmeng Han**, Shenzhen (CN); **Qimu Liang**, Shenzhen (CN)

(73) Assignee: **SHENZHEN MICRO ELECTRIC INTELLIGENCE CO., LTD.**,  
Shenzhen (CN)

(\*\*) Term: **15 Years**

(21) Appl. No.: **29/824,581**

(22) Filed: **Jan. 26, 2022**

(51) **LOC (13) Cl.** ..... **24-02**

(52) **U.S. Cl.**  
USPC ..... **D24/152; D4/101; D4/104**

(58) **Field of Classification Search**  
USPC ..... D4/101, 102, 104, 114, 116, 118, 120,  
D4/121, 125, 132, 134, 138, 100,  
D4/105-113; D24/152, 176  
CPC . A46B 5/00; A46B 5/0095; A46B 2200/1066;  
A61C 17/16; A61C 17/221; A61C  
17/222; A61C 17/225; A61C 17/0202;  
A61C 17/34  
See application file for complete search history.

(56) **References Cited**

**U.S. PATENT DOCUMENTS**

D325,129 S \* 4/1992 Ambasz ..... D4/101  
D411,769 S \* 7/1999 Wright ..... D4/111  
D534,725 S \* 1/2007 Vu ..... D4/138  
D619,717 S \* 7/2010 Toshima ..... D24/152  
D701,388 S \* 3/2014 Chuanzhou ..... D4/111  
D712,538 S \* 9/2014 Park ..... D24/152

D773,822 S \* 12/2016 Sikora ..... D4/101  
D774,253 S 12/2016 Oechslin et al.  
D884,893 S \* 5/2020 Ma ..... D24/152  
D890,528 S \* 7/2020 Albay ..... D4/101  
D894,610 S \* 9/2020 Albay ..... D4/101  
D912,989 S \* 3/2021 Albay ..... D4/101  
D929,655 S 8/2021 Borg  
D930,989 S \* 9/2021 Albay ..... D4/101  
D932,777 S \* 10/2021 Albay ..... D4/101  
D953,038 S \* 5/2022 Albay ..... D4/101  
D954,939 S \* 6/2022 Liang ..... D24/111

**FOREIGN PATENT DOCUMENTS**

KR 301157688.0000 \* 4/2022

\* cited by examiner

*Primary Examiner* — Rebekah A Caruso

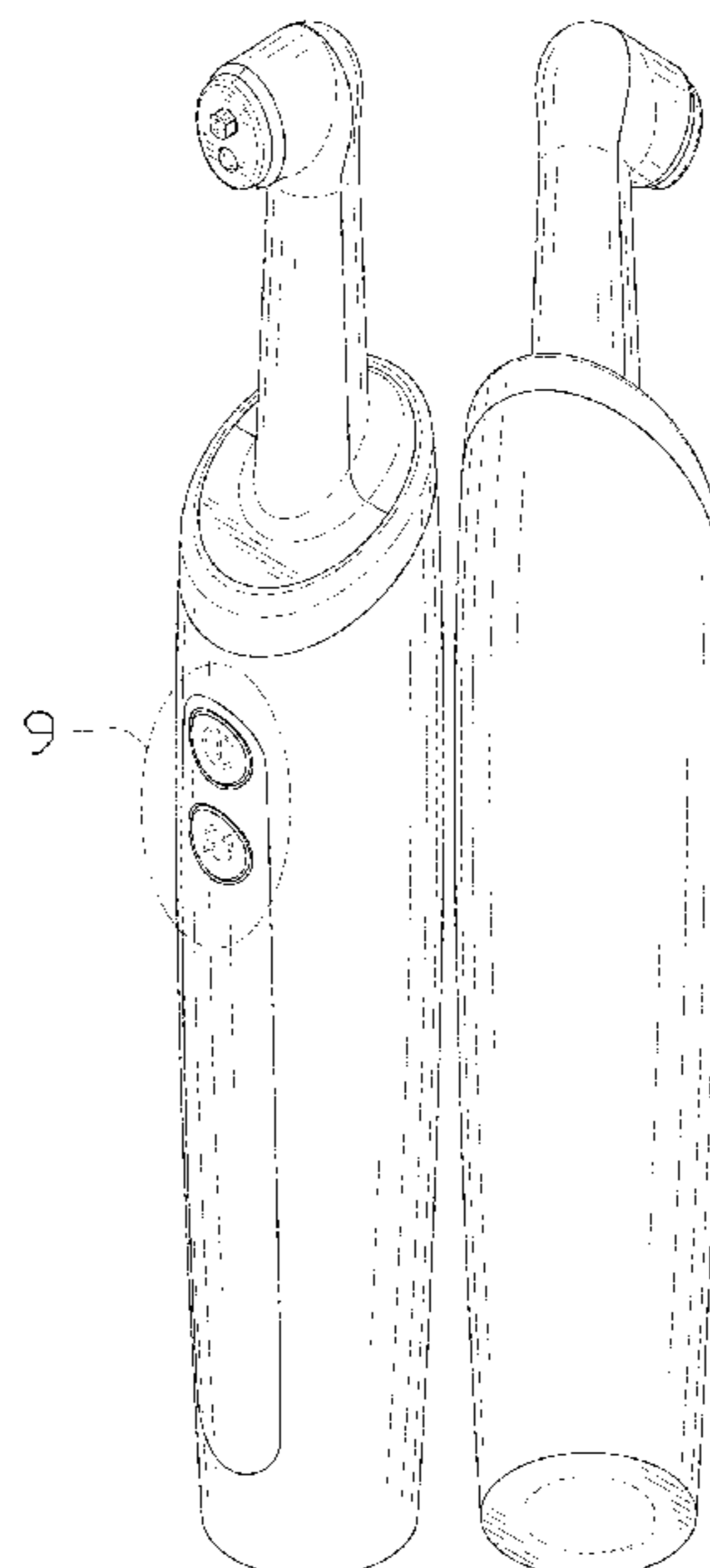
(57) **CLAIM**

The ornamental design for a tooth polisher, as shown and described.

**DESCRIPTION**

FIG. 1 is a perspective view of a tooth polisher showing our new design;  
FIG. 2 is another perspective view thereof;  
FIG. 3 is a front elevational view thereof;  
FIG. 4 is a rear elevational view thereof;  
FIG. 5 is a left side elevational view thereof;  
FIG. 6 is a right side elevational view thereof;  
FIG. 7 is a top plan view thereof;  
FIG. 8 is a bottom plan view thereof; and,  
FIG. 9 is an enlarged view of portion 9 shown in FIG. 1.  
The dash-dash broken lines in the drawings depict portions of the tooth polisher that form no part of the claimed design. The dot-dash broken lines represent the boundary of the enlarged portion and form no part of the claimed design.

**1 Claim, 9 Drawing Sheets**



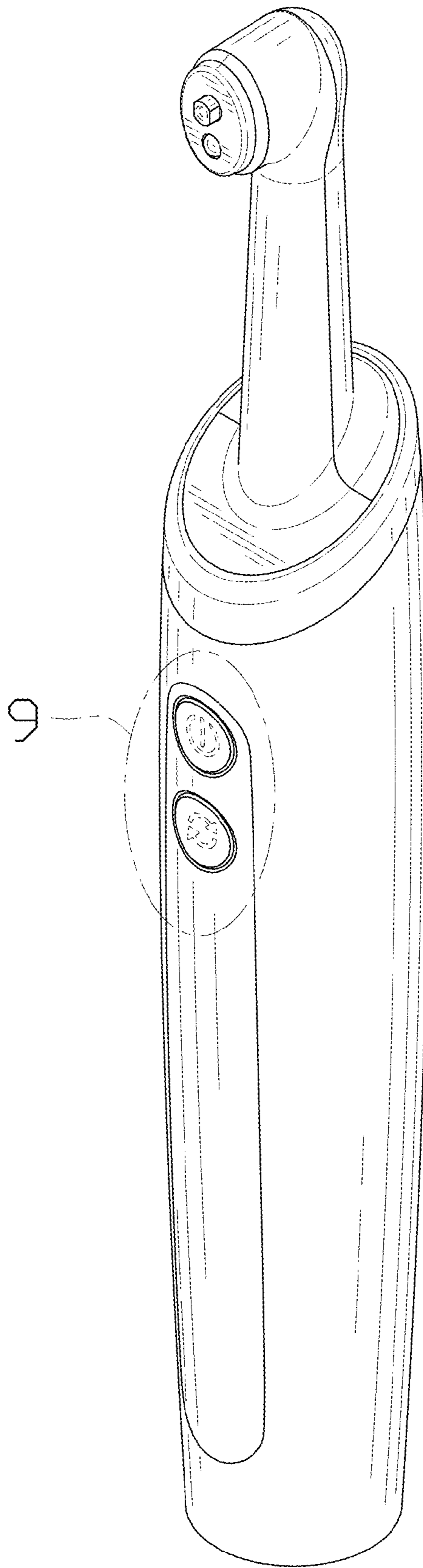


FIG. 1

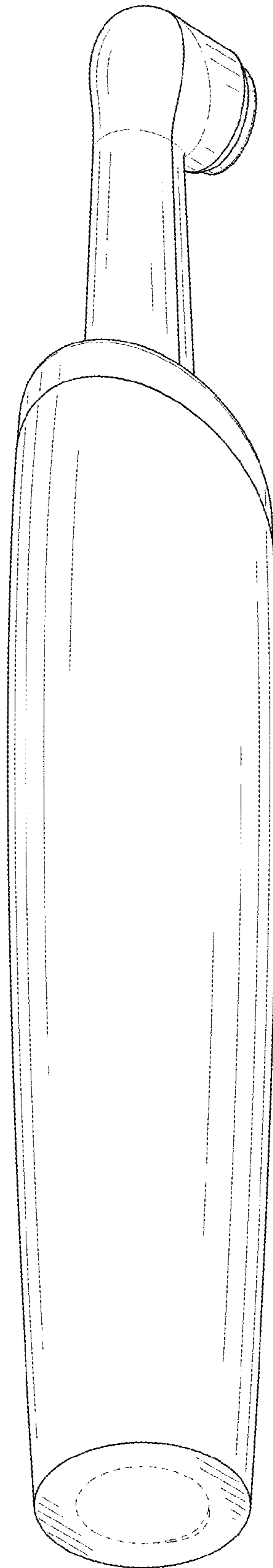


FIG. 2

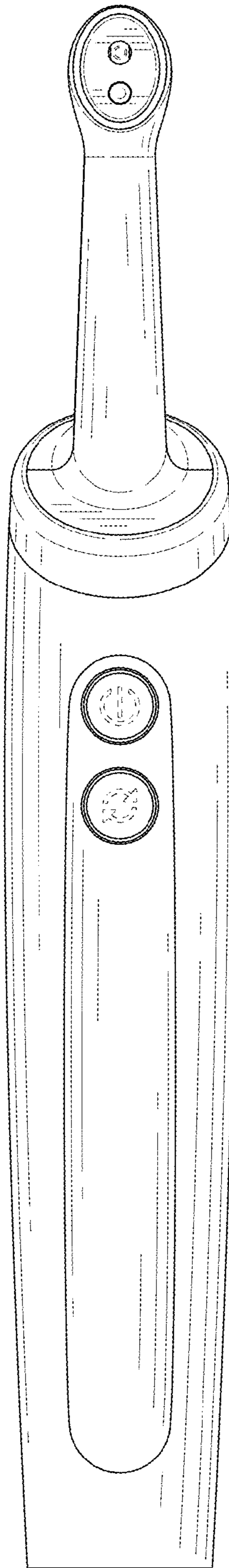


FIG. 3

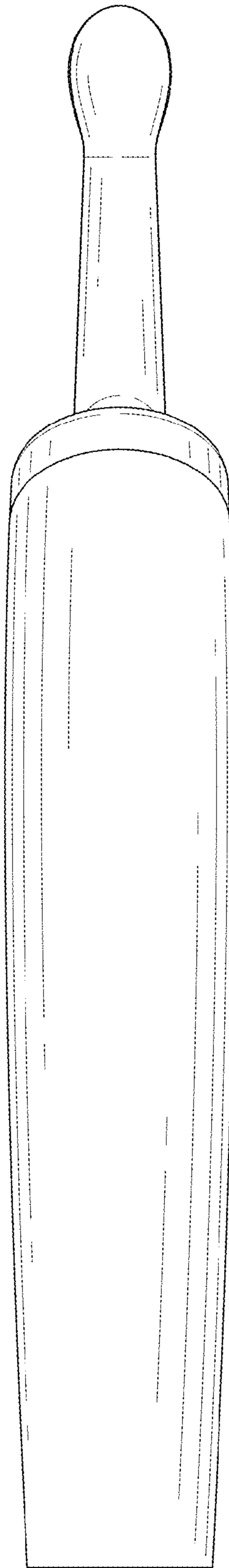


FIG. 4

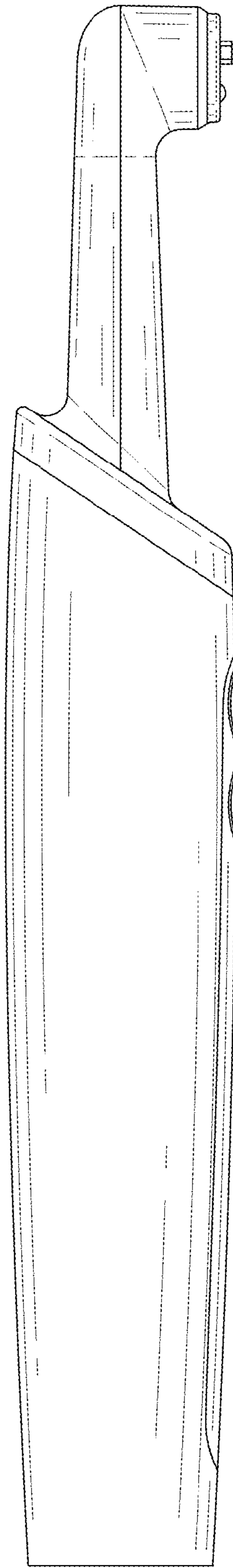


FIG. 5

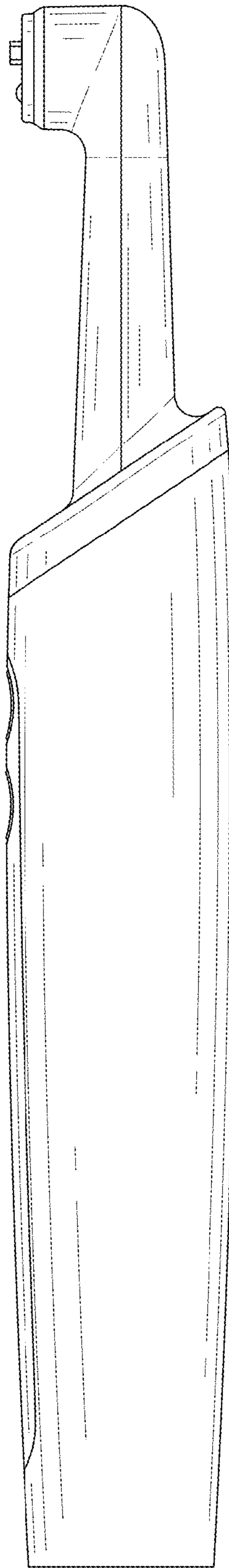


FIG. 6

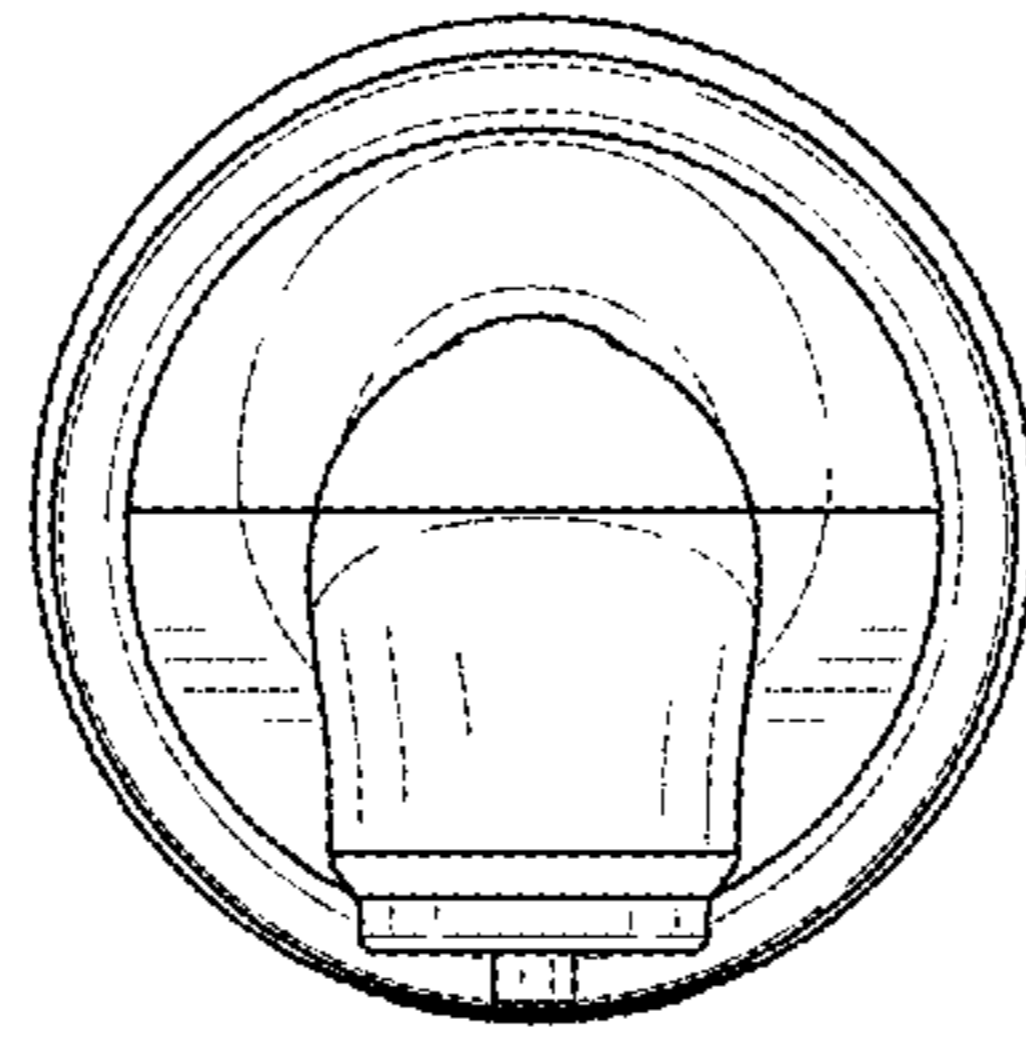


FIG. 7



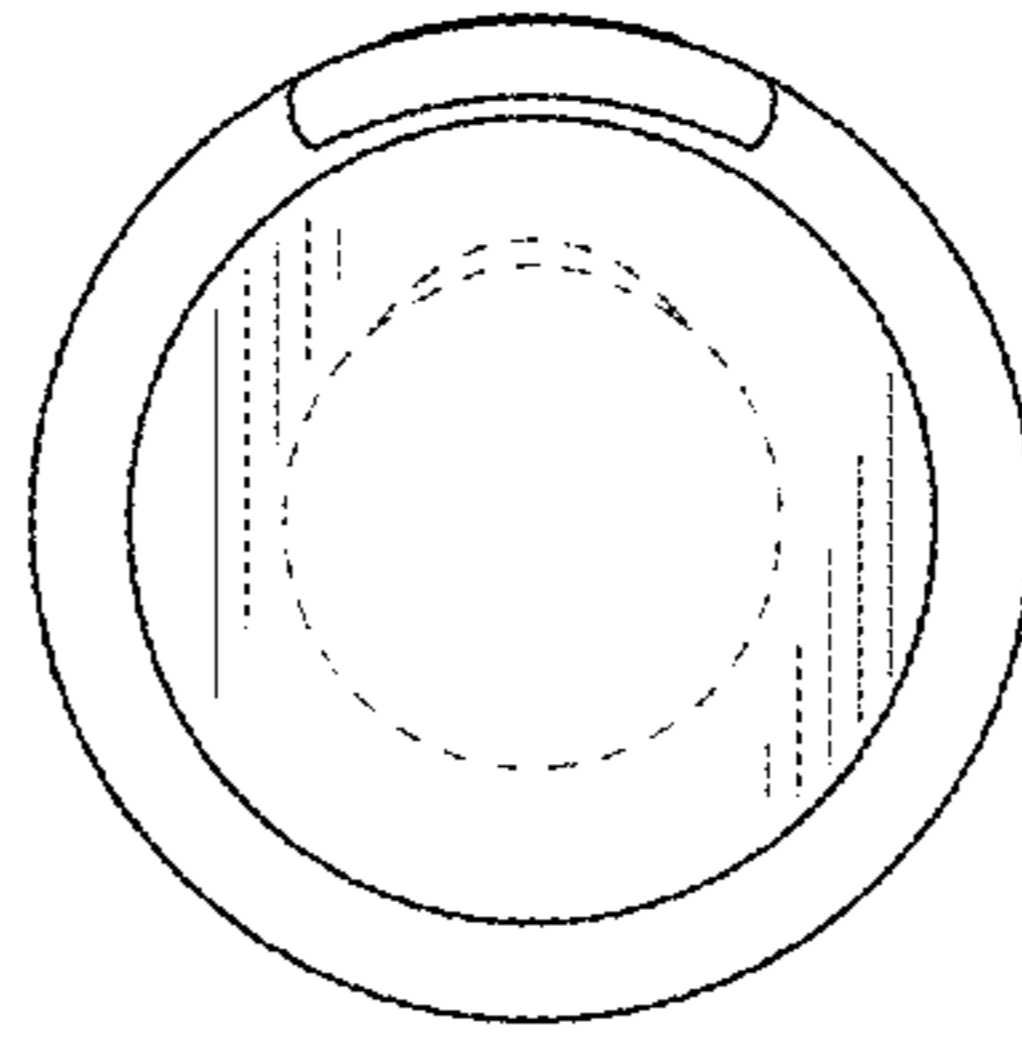


FIG. 8

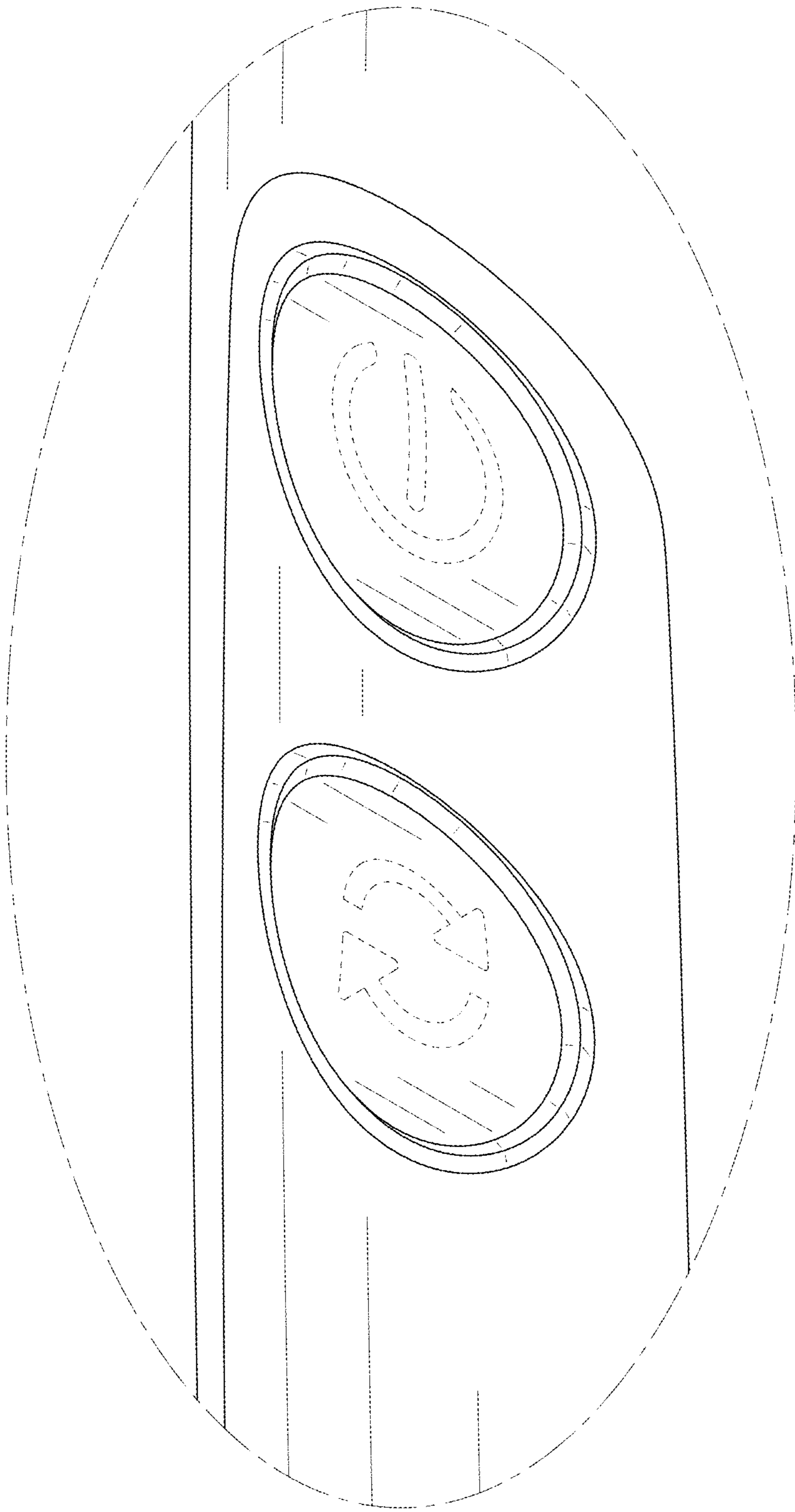


FIG. 9