



US00D963856S

(12) **United States Design Patent** (10) **Patent No.:** **US D963,856 S**
Yun et al. (45) **Date of Patent:** **** Sep. 13, 2022**

(54) **TRANSDERMAL DRUG DELIVERY DEVICE**

11,241,540 B2 * 2/2022 Kim A61M 37/0015
2015/0112283 A1 * 4/2015 Tagami B29C 39/026
264/299
2016/0213819 A1 * 7/2016 Kato A61M 37/0015

(71) Applicants: **Ji Yung Yun**, Yongin-si (KR); **Jung Hyun Yun**, Yongin-si (KR)

(72) Inventors: **Ji Yung Yun**, Yongin-si (KR); **Jung Hyun Yun**, Yongin-si (KR)

FOREIGN PATENT DOCUMENTS

KR 301124857.0000 * 8/2021

(**) Term: **15 Years**

OTHER PUBLICATIONS

(21) Appl. No.: **29/764,267**

Hydra 20 Micro Needle Titanium Applicator Bottle Anti-aging Skin Care Reusable, BONAS, Amazon, [Post date: Nov. 10, 2017], [Site seen Jul. 14, 2022], Seen at URL: https://www.amazon.com/Needle-Titanium-Applicator-Anti-aging-Reusable/dp/B077BGK5P7/ref=sr_1_5 (Year: 2017).*

(22) Filed: **Dec. 29, 2020**

(30) **Foreign Application Priority Data**

Jun. 30, 2020 (KR) 30-2020-0029742

* cited by examiner

(51) **LOC (13) Cl.** **24-02**

Primary Examiner — Natasha Vujcic

(52) **U.S. Cl.**
USPC **D24/144**; D24/112

Assistant Examiner — Gilbert B Ford

(58) **Field of Classification Search**
USPC D24/144, 129, 130, 112, 113, 127, 128,
D24/114, 186, 108, 231; D28/7, 76
CPC A61M 37/0015; A61M 2037/0046; A61B
17/0482
See application file for complete search history.

(74) *Attorney, Agent, or Firm* — Birch, Stewart, Kolasch & Birch, LLP

(57) **CLAIM**

The ornamental design for a transdermal drug delivery device, as shown and described.

(56) **References Cited**

DESCRIPTION

U.S. PATENT DOCUMENTS

D455,234 S * 4/2002 Look D19/66
6,846,680 B2 * 1/2005 Friswell B01L 3/0279
422/65
8,696,637 B2 * 4/2014 Ross A61M 37/0015
604/47
D711,592 S * 8/2014 Tsai D28/7
D743,560 S * 11/2015 Pietrantonio D24/186
10,238,812 B2 * 3/2019 Ignon A61B 17/545
10,287,543 B2 * 5/2019 Poggel C12M 29/10
D864,774 S * 10/2019 Lei D24/186
D921,193 S * 6/2021 Fugo D24/130
D926,380 S * 7/2021 Wolfe D28/76
D930,906 S * 9/2021 Jung D9/504
D933,205 S * 10/2021 Kang D24/112

FIG. 1 is a front perspective view of a transdermal drug delivery device showing our new design;
FIG. 2 is a front view thereof;
FIG. 3 is a rear view thereof;
FIG. 4 is a left side view thereof;
FIG. 5 is a right side view thereof;
FIG. 6 is a top plan view thereof;
FIG. 7 is a bottom view thereof; and,
FIG. 8 is a bottom perspective view thereof.
The container portion is made of a transparent or opaque material.

1 Claim, 7 Drawing Sheets

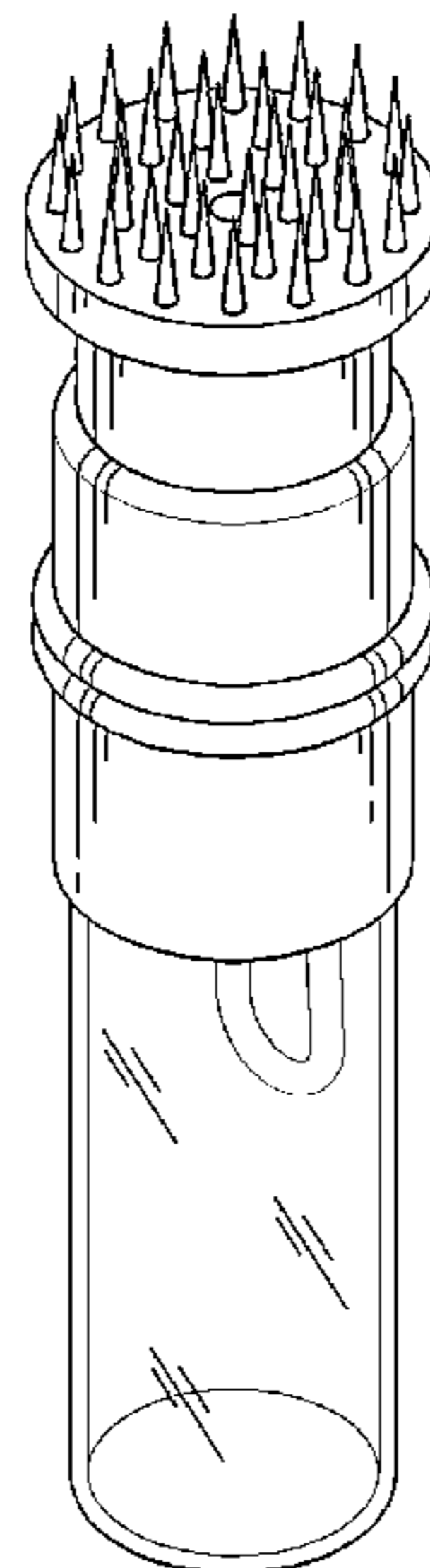


FIG. 1

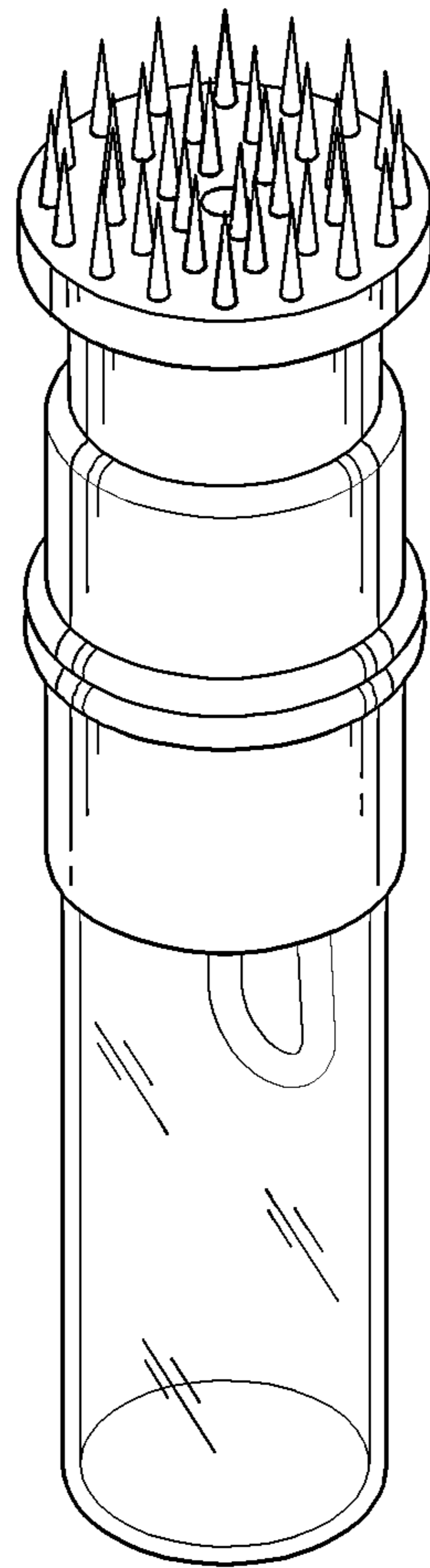


FIG. 2

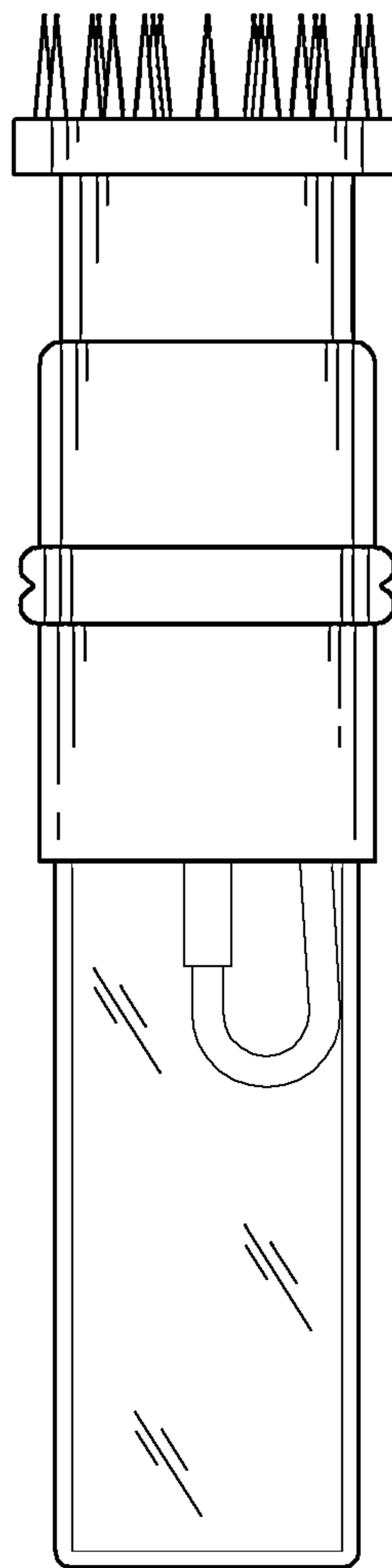


FIG. 3

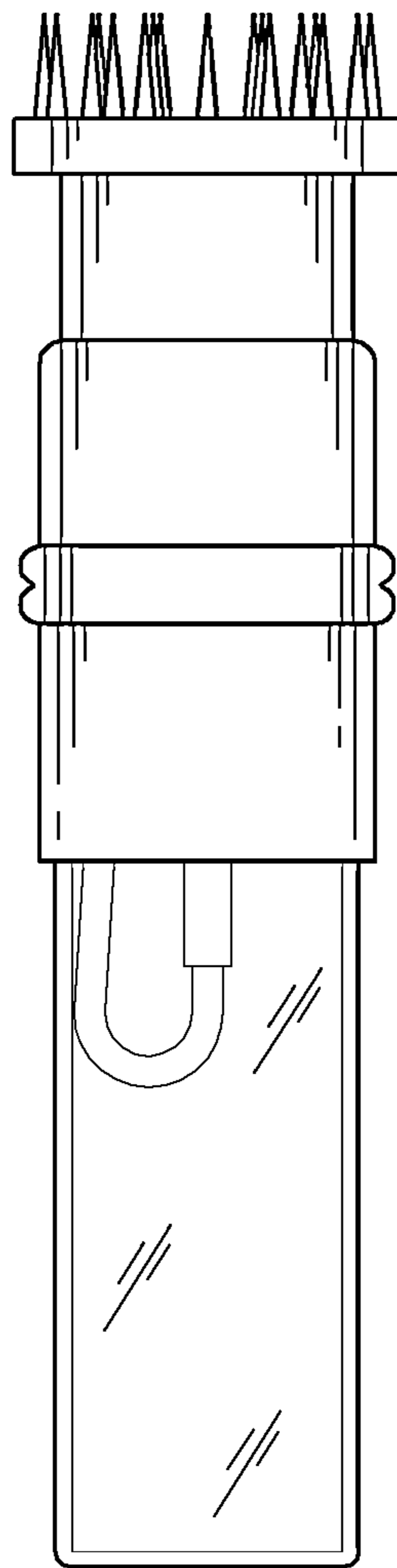


FIG. 4

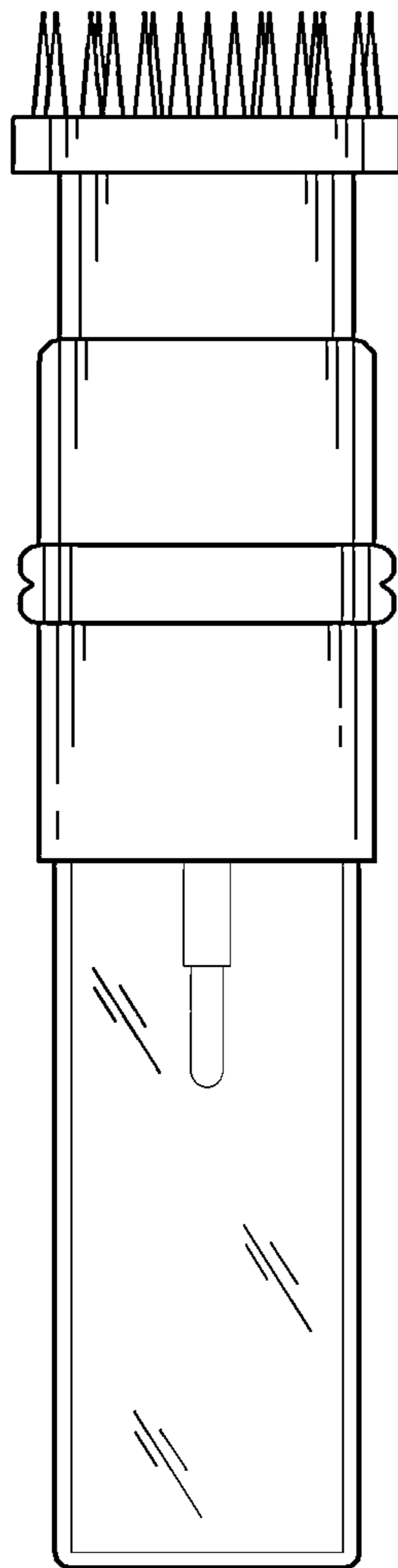


FIG. 5

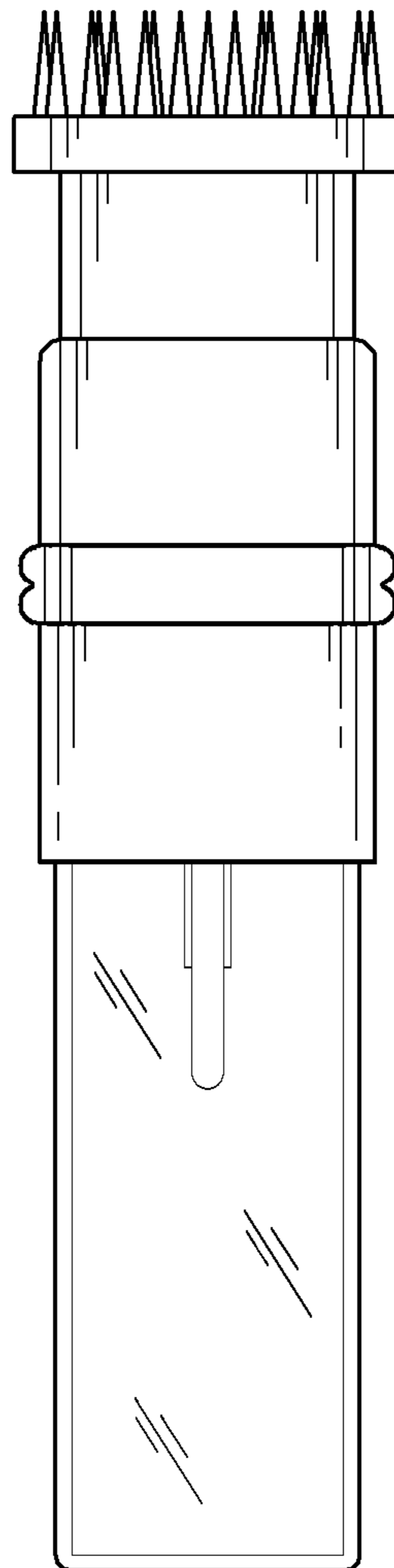


FIG. 6

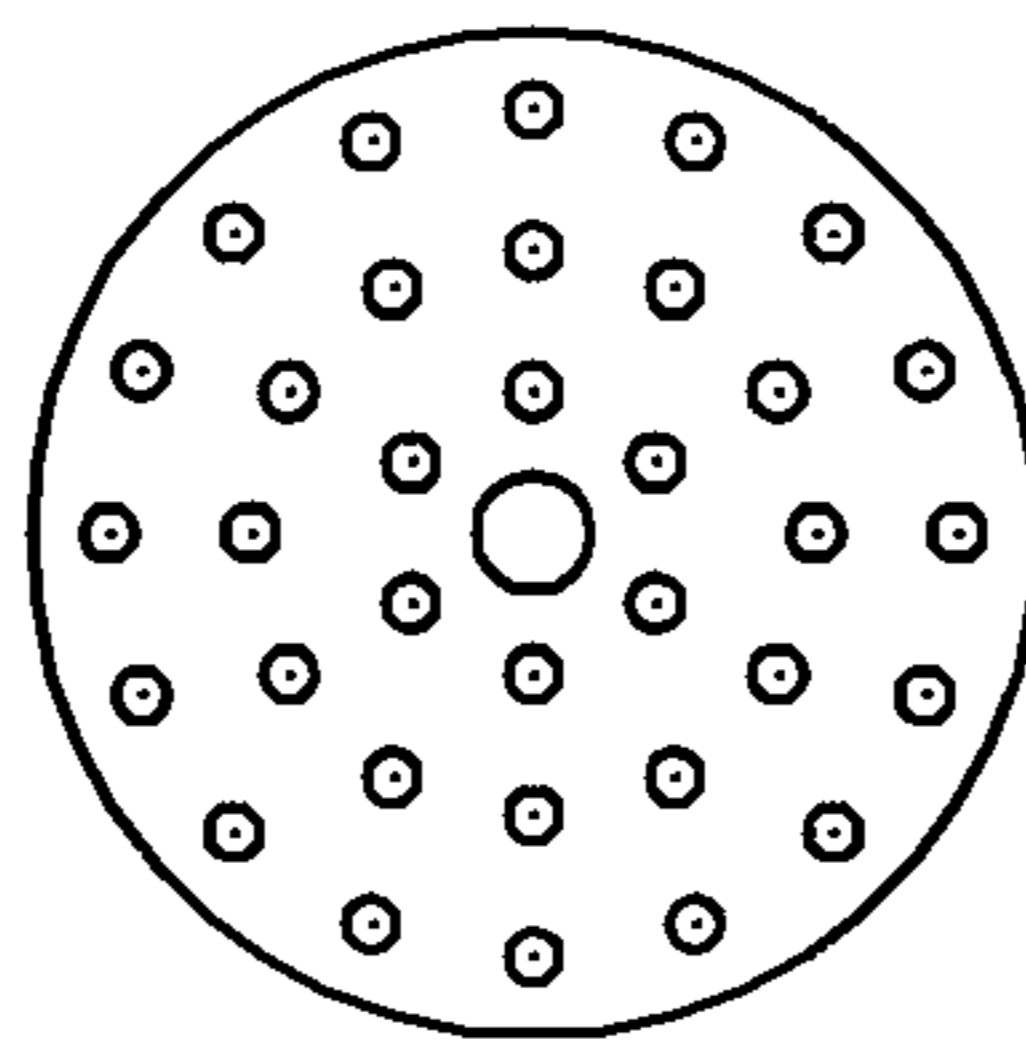


FIG. 7

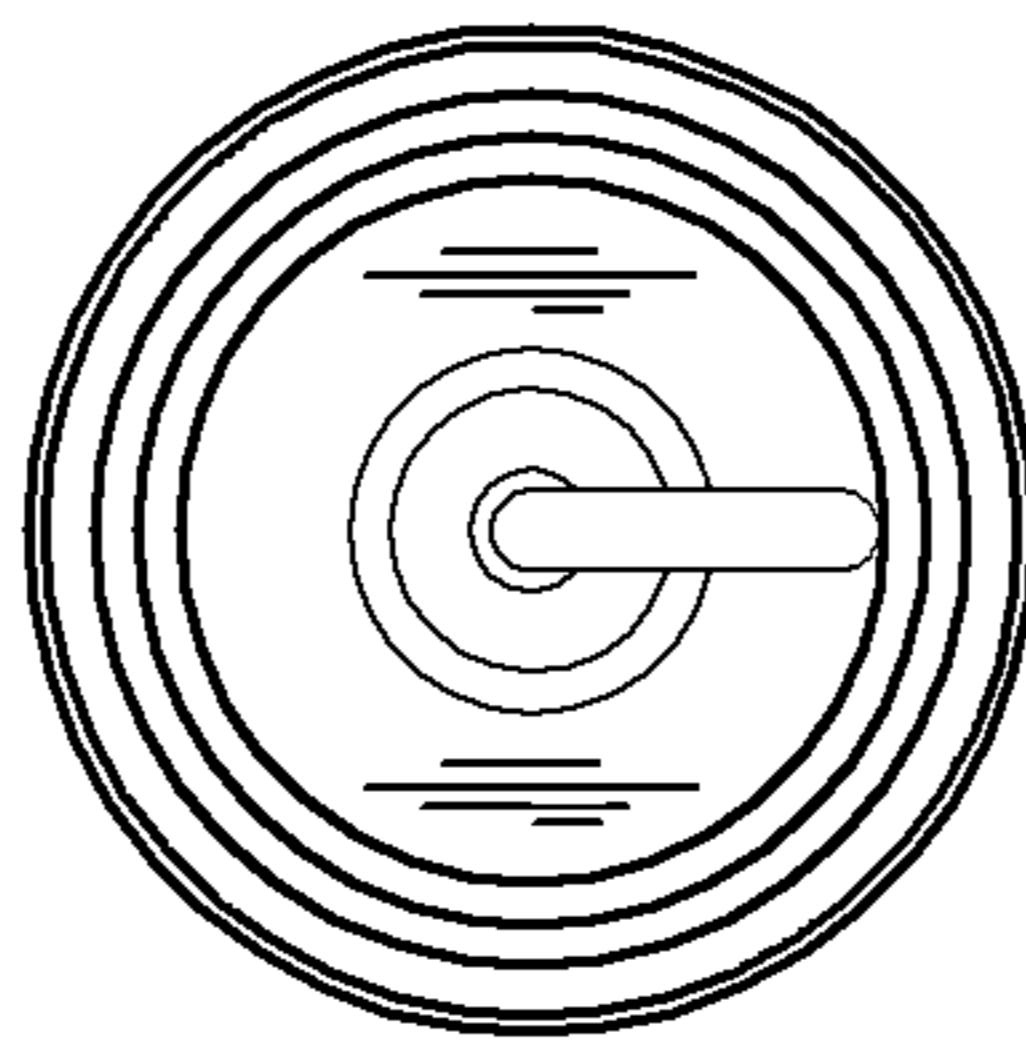


FIG. 8

