



US00D963855S

(12) **United States Design Patent**
Urbanski et al.

(10) **Patent No.:** **US D963,855 S**
(45) **Date of Patent:** **** Sep. 13, 2022**

(54) **ELECTROSURGICAL DEVICE WITH A CURVE**

(71) Applicant: **BAYLIS MEDICAL COMPANY INC.**, Montreal (CA)

(72) Inventors: **John Paul Urbanski**, Toronto (CA); **Yun Uhm**, North York (CA); **Mahban Samiee Zafarghandy**, Toronto (CA); **Christian Sebastian Balkovec**, Kitchener (CA); **Matthew Diccico**, Toronto (CA)

(73) Assignee: **Boston Scientific Medical Device Limited**, Galway (IE)

(**) Term: **15 Years**

(21) Appl. No.: **29/704,413**

(22) Filed: **Sep. 4, 2019**

(51) **LOC (13) Cl.** **24-02**

(52) **U.S. Cl.**
USPC **D24/144**

(58) **Field of Classification Search**
USPC D24/144, 146-147, 133, 170
(Continued)

(56) **References Cited**

U.S. PATENT DOCUMENTS

- 5,462,545 A * 10/1995 Wang A61B 18/1492
600/373
- 6,899,711 B2 * 5/2005 Stewart A61B 18/1492
606/41

(Continued)

Primary Examiner — Wan Laymon

(74) *Attorney, Agent, or Firm* — Dennis Haszko

(57) **CLAIM**

The ornamental design for an electrosurgical device with a curve, as shown and described.

DESCRIPTION

FIG. 1 is a front, left and top perspective view of an electrosurgical device with a curve showing our new design;

FIG. 2 is a left side view of the electrosurgical device of FIG. 1;

FIG. 3 is a rear view of the electrosurgical device of FIG. 1; FIG. 4 is a front view of the electrosurgical device of FIG. 1;

FIG. 5 is a right side view of the electrosurgical device of FIG. 1;

FIG. 6 is a bottom plan view of the electrosurgical device of FIG. 1;

FIG. 7 is a top plan view of the electrosurgical device of FIG. 1;

FIG. 8 is a front, left and top perspective view of an alternative embodiment of an electrosurgical device with a curve;

FIG. 9 is a left side view of the electrosurgical device of FIG. 8;

FIG. 10 is a rear view of the electrosurgical device of FIG. 8;

FIG. 11 is a front view of the electrosurgical device of FIG. 8;

FIG. 12 is a right side view of the electrosurgical device of FIG. 8;

FIG. 13 is a bottom plan view of the electrosurgical device of FIG. 8;

FIG. 14 is a top plan view of the electrosurgical device of FIG. 8;

FIG. 15 is a front, left and top perspective view of an alternative embodiment of an electrosurgical device with a curve;

FIG. 16 is a left side view of the electrosurgical device of FIG. 15;

FIG. 17 is a rear view of the electrosurgical device of FIG. 15;

FIG. 18 is a front view of the electrosurgical device of FIG. 15;

FIG. 19 is a right side view of the electrosurgical device of FIG. 15;

FIG. 20 is a top plan view of the electrosurgical device of FIG. 15;

FIG. 21 is a bottom plan view of the electrosurgical device of FIG. 15;

FIG. 22 is a front, left and top perspective view of an alternative embodiment of an electrosurgical device with a curve;

(Continued)

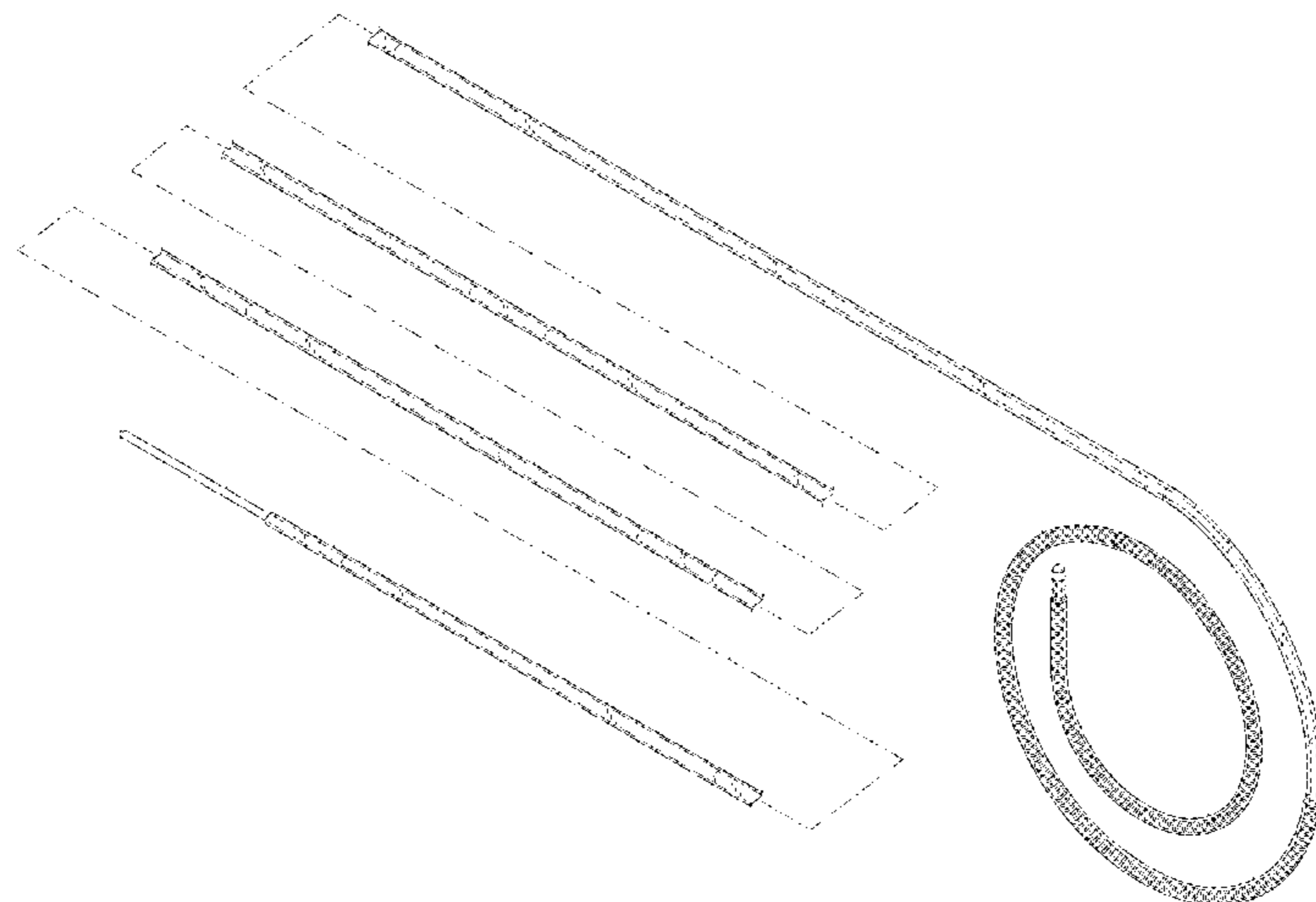


FIG. 23 is a left side view of the electrosurgical device of FIG. 22;
 FIG. 24 is a rear view of the electrosurgical device of FIG. 22;
 FIG. 25 is a front view of the electrosurgical device of FIG. 22;
 FIG. 26 is a right side view of the electrosurgical device of FIG. 22;
 FIG. 27 is a top plan view of the electrosurgical device of FIG. 22; and,
 FIG. 28 is a bottom plan view of the electrosurgical device of FIG. 22.

The broken lines immediately adjacent the shaded areas represent the bounds of the claimed design while all other broken lines are directed to environment and are for illustrative purposes only; the broken lines form no part of the claimed design.

The broken away symbols in FIGS. 1-2, 5-9, 12-16, 19-23 and 26-28 indicate that any portion of the article beyond what is shown forms no part of the claimed design.

1 Claim, 24 Drawing Sheets

(58) Field of Classification Search

CPC A61B 18/1492; A61B 18/1477; A61B 18/1482; A61B 2018/1497; A61M 25/01
 See application file for complete search history.

(56) References Cited

U.S. PATENT DOCUMENTS

6,949,097 B2 * 9/2005 Stewart A61B 18/1492
 606/41

7,013,169 B2 * 3/2006 Bowe A61B 18/1492
 600/374
 7,013,170 B2 * 3/2006 Bowe A61B 18/1492
 600/374
 7,517,349 B2 * 4/2009 Truckai A61B 18/1492
 606/41
 7,771,421 B2 * 8/2010 Stewart A61B 18/1492
 606/41
 8,192,428 B2 * 6/2012 Truckai A61B 18/1492
 606/41
 8,206,384 B2 * 6/2012 Falwell A61B 18/1492
 606/41
 D680,219 S * 4/2013 Davies D24/144
 8,608,735 B2 * 12/2013 Govari A61B 18/1492
 606/41
 8,834,464 B2 * 9/2014 Stewart A61B 18/1492
 606/41
 D753,302 S * 4/2016 Alley D24/144
 10,166,067 B2 * 1/2019 Wittkamp A61B 18/1492
 D914,211 S * 3/2021 Hernandez Zendejas ... D24/144
 2008/0300587 A1 * 12/2008 Anderson A61B 18/1492
 606/29
 2016/0000501 A1 * 1/2016 Davies A61B 18/1492
 606/41
 2016/0175009 A1 * 6/2016 Davies A61B 18/1492
 606/47
 2019/0105466 A1 * 4/2019 Schibli A61B 18/1492
 2019/0231424 A1 * 8/2019 Davies A61B 18/1492
 2019/0298411 A1 * 10/2019 Davies A61B 18/1492
 2021/0068892 A1 * 3/2021 Urbanski A61B 18/1482
 2021/0137584 A1 * 5/2021 Urbanski A61B 18/1477
 2021/0322091 A1 * 10/2021 Addison A61B 18/1477
 2022/0054763 A1 * 2/2022 Ralph A61B 18/1477

* cited by examiner

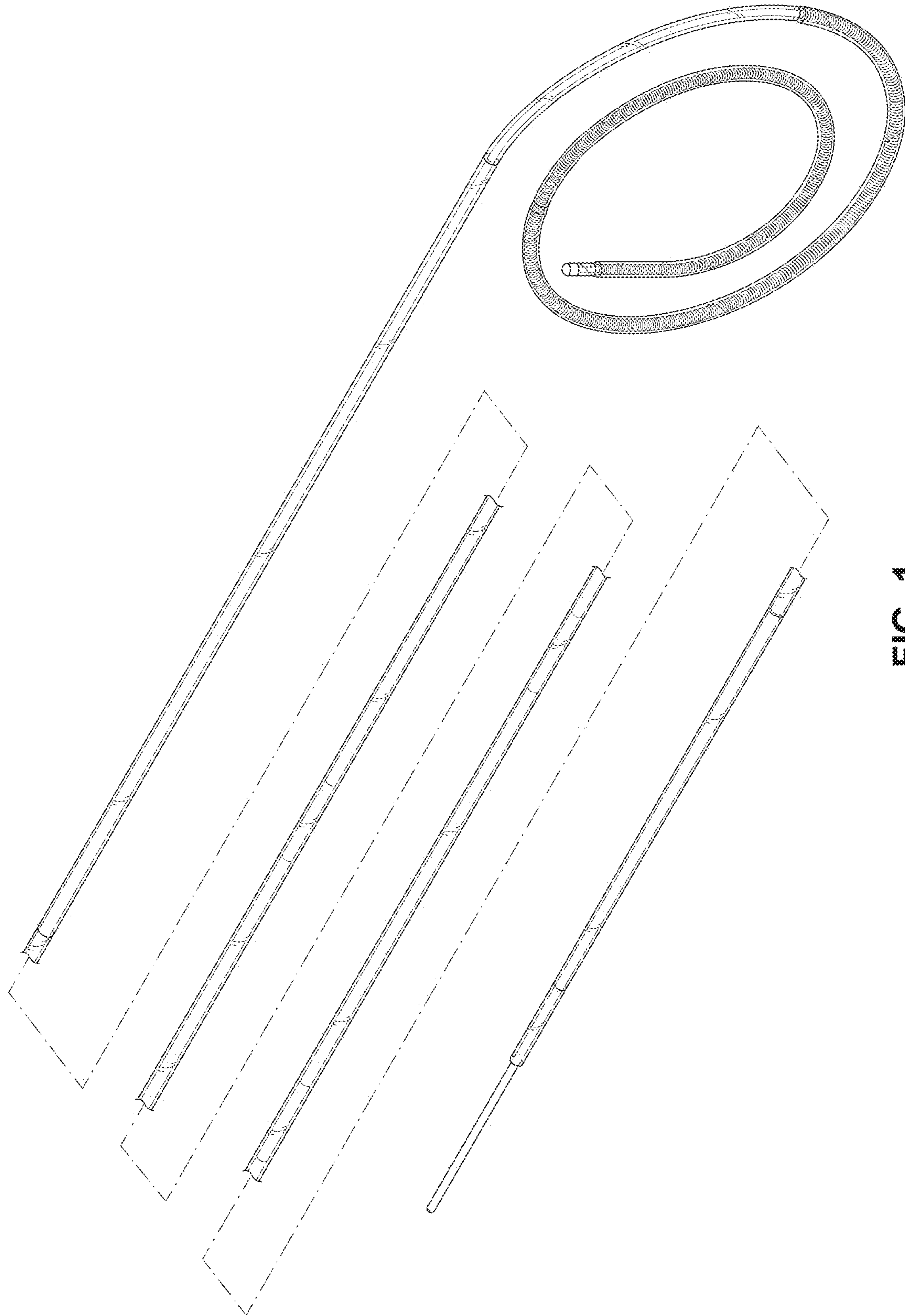


FIG. 1

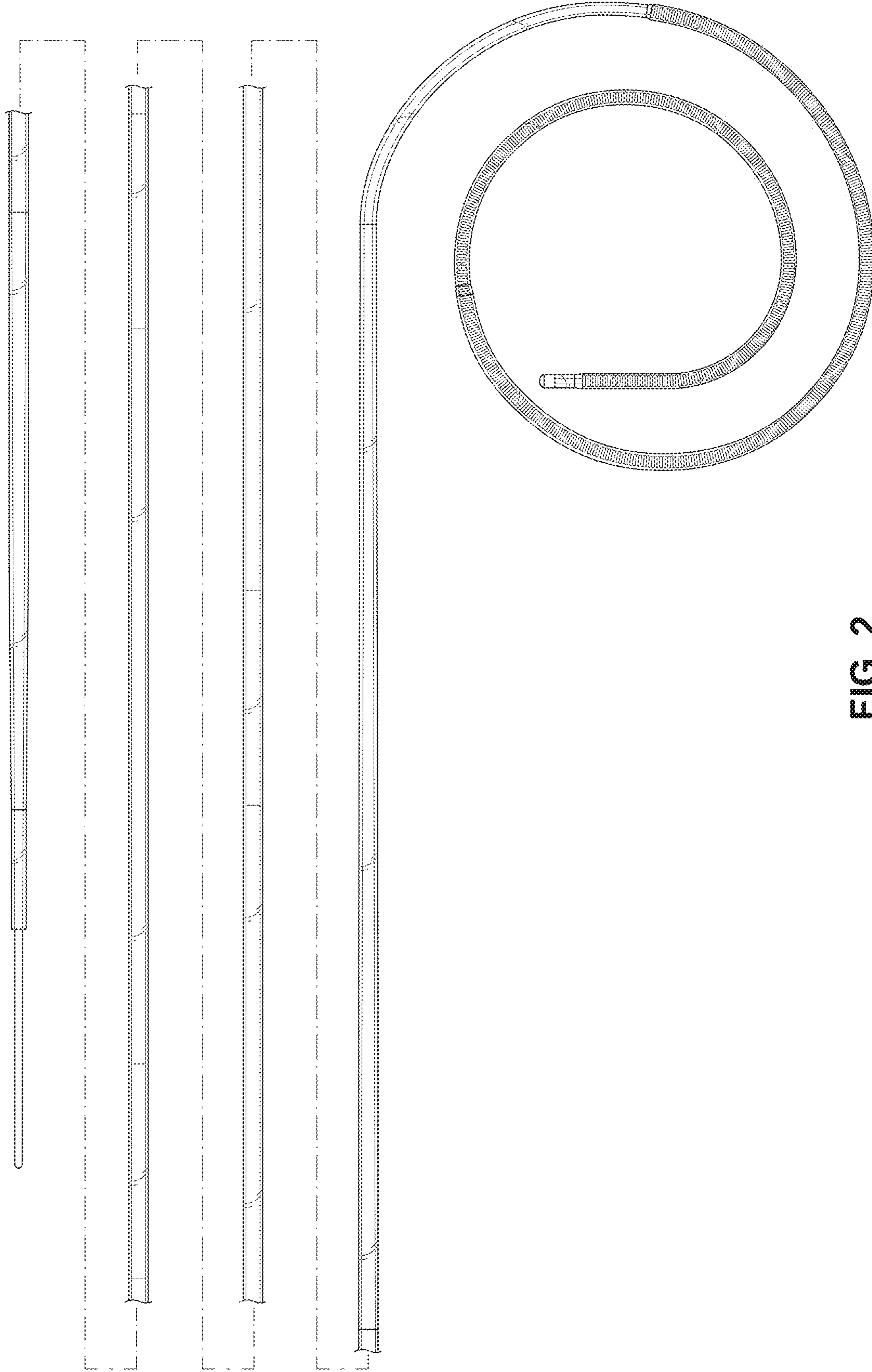


FIG. 2



FIG. 4

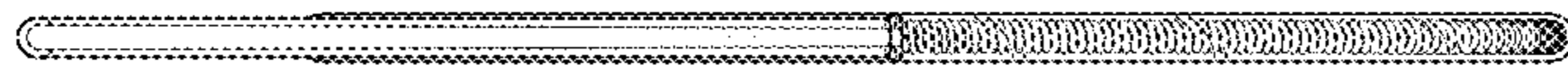


FIG. 3

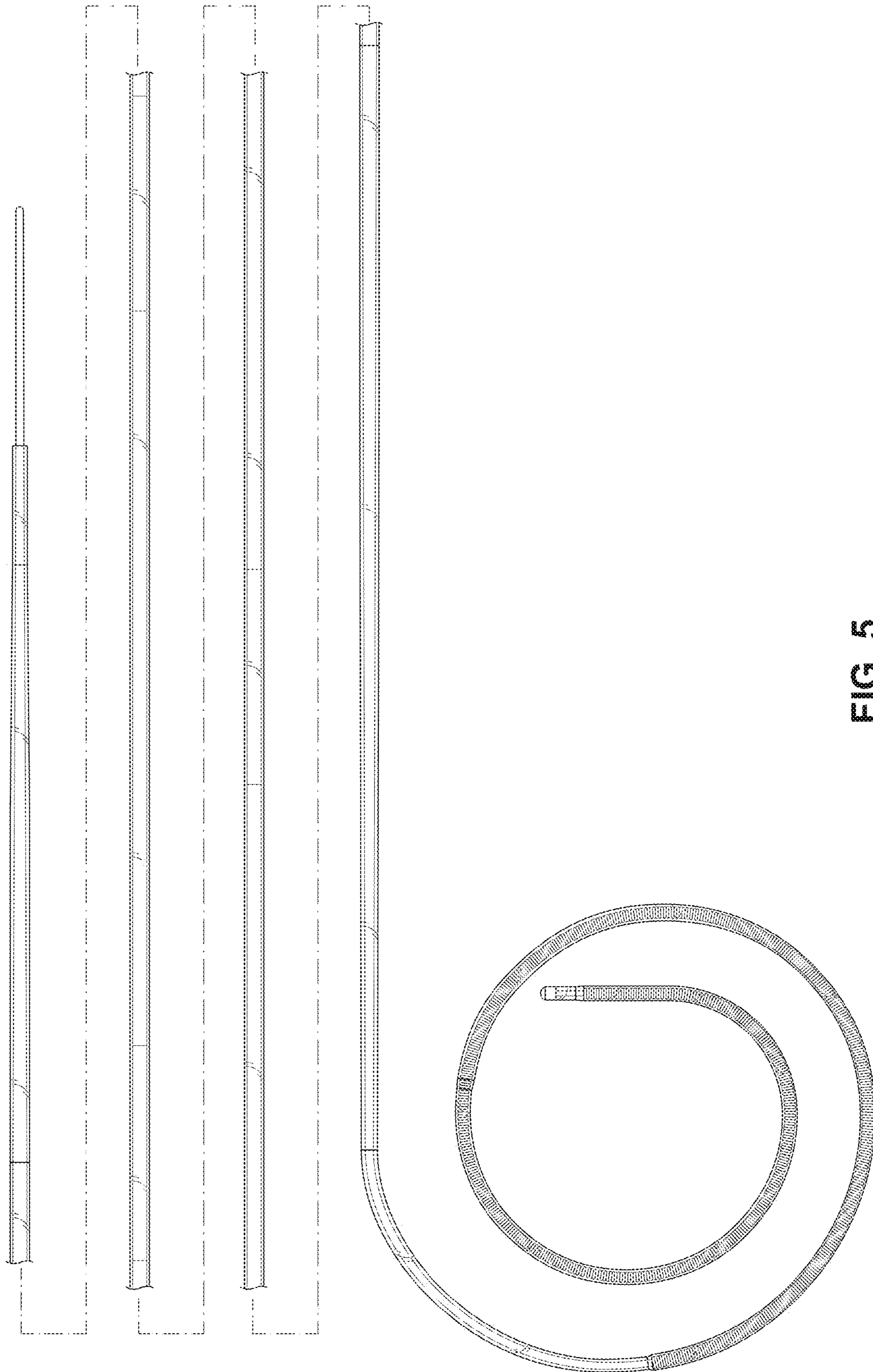


FIG. 5

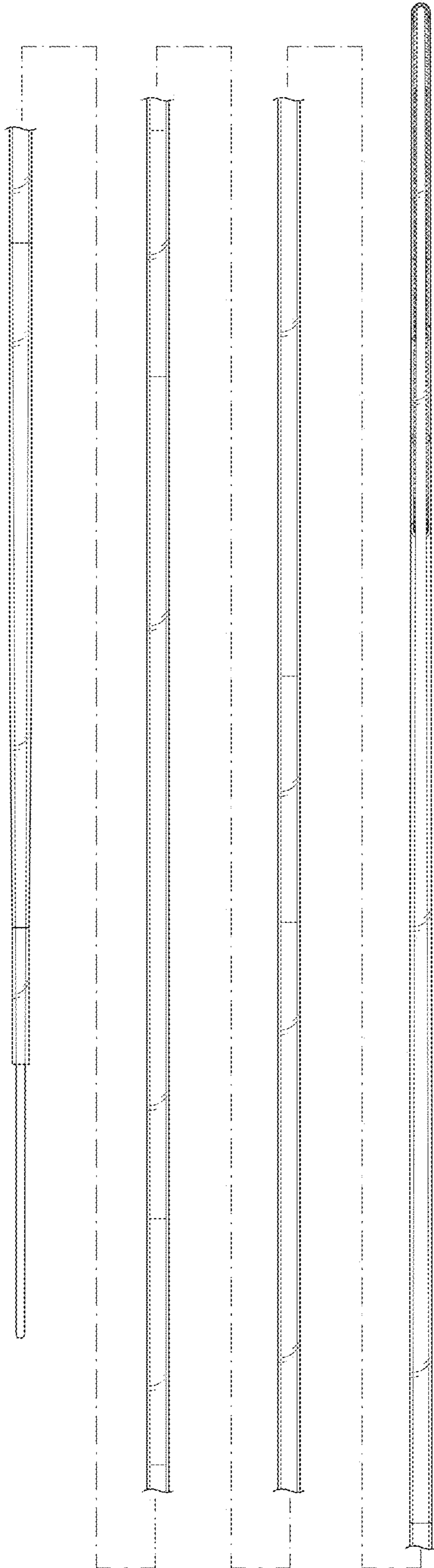


FIG. 6

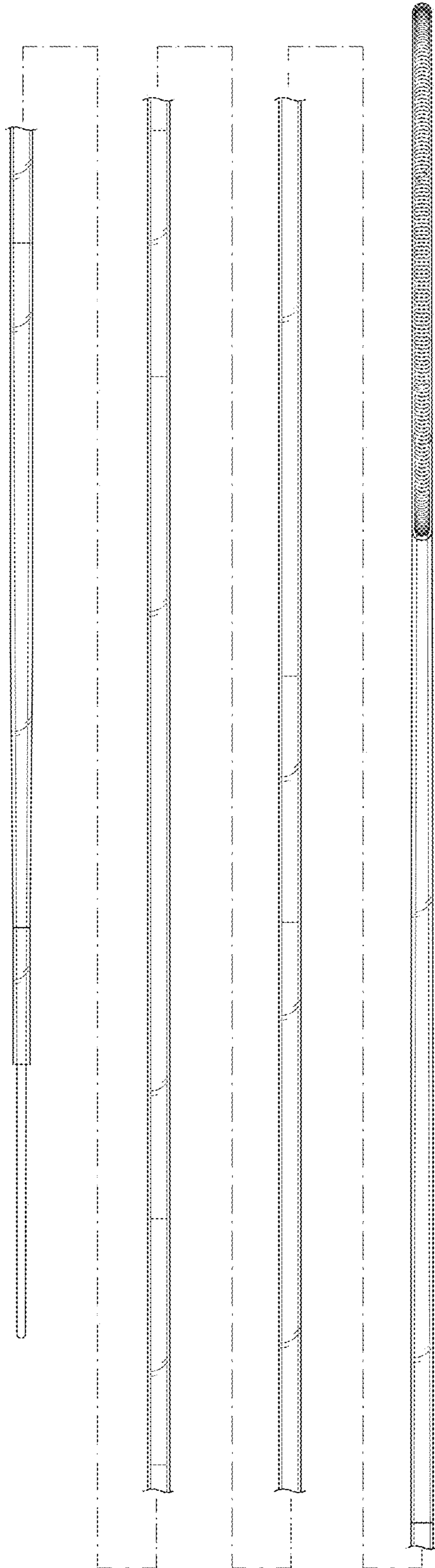


FIG. 7

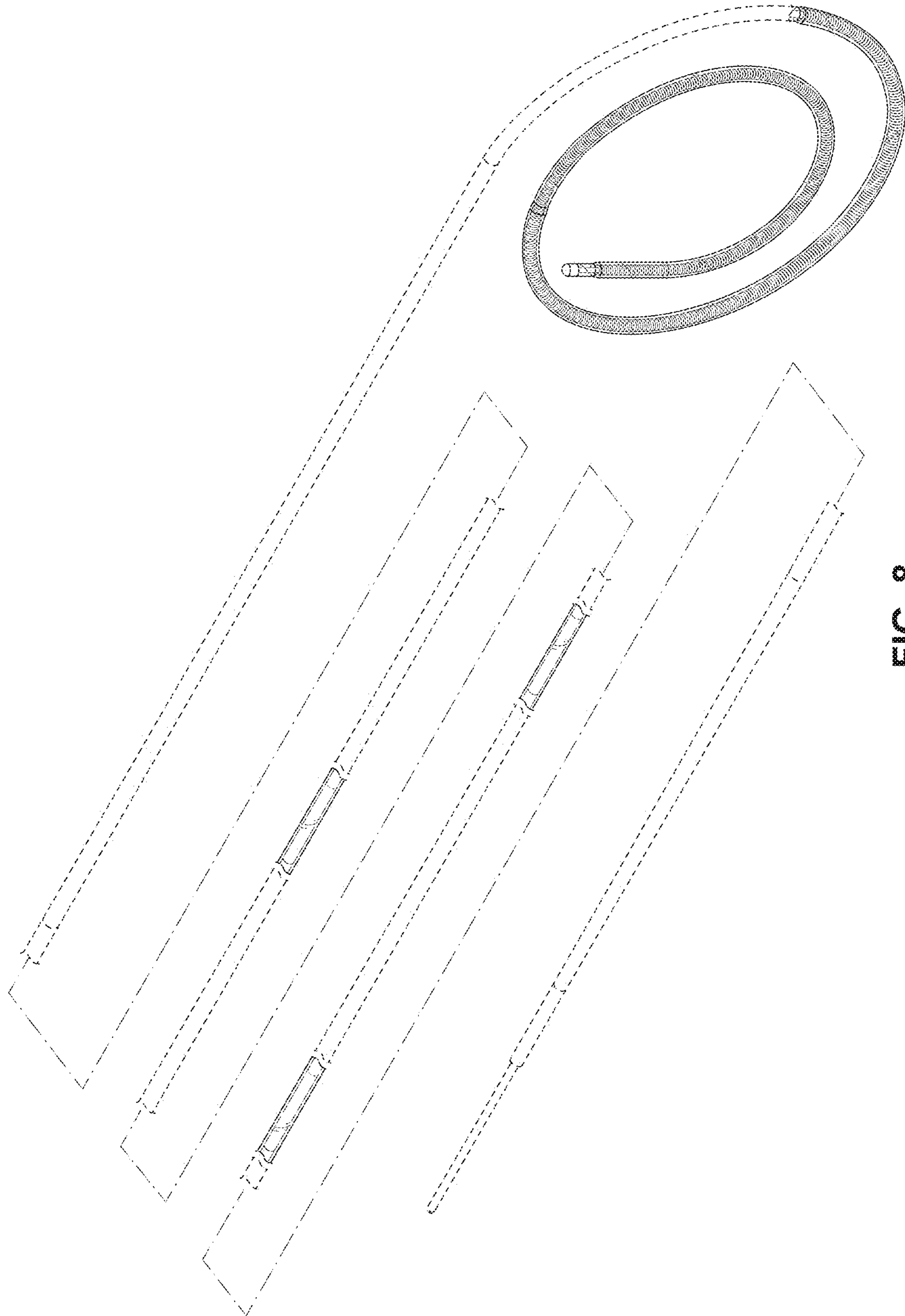


FIG. 8

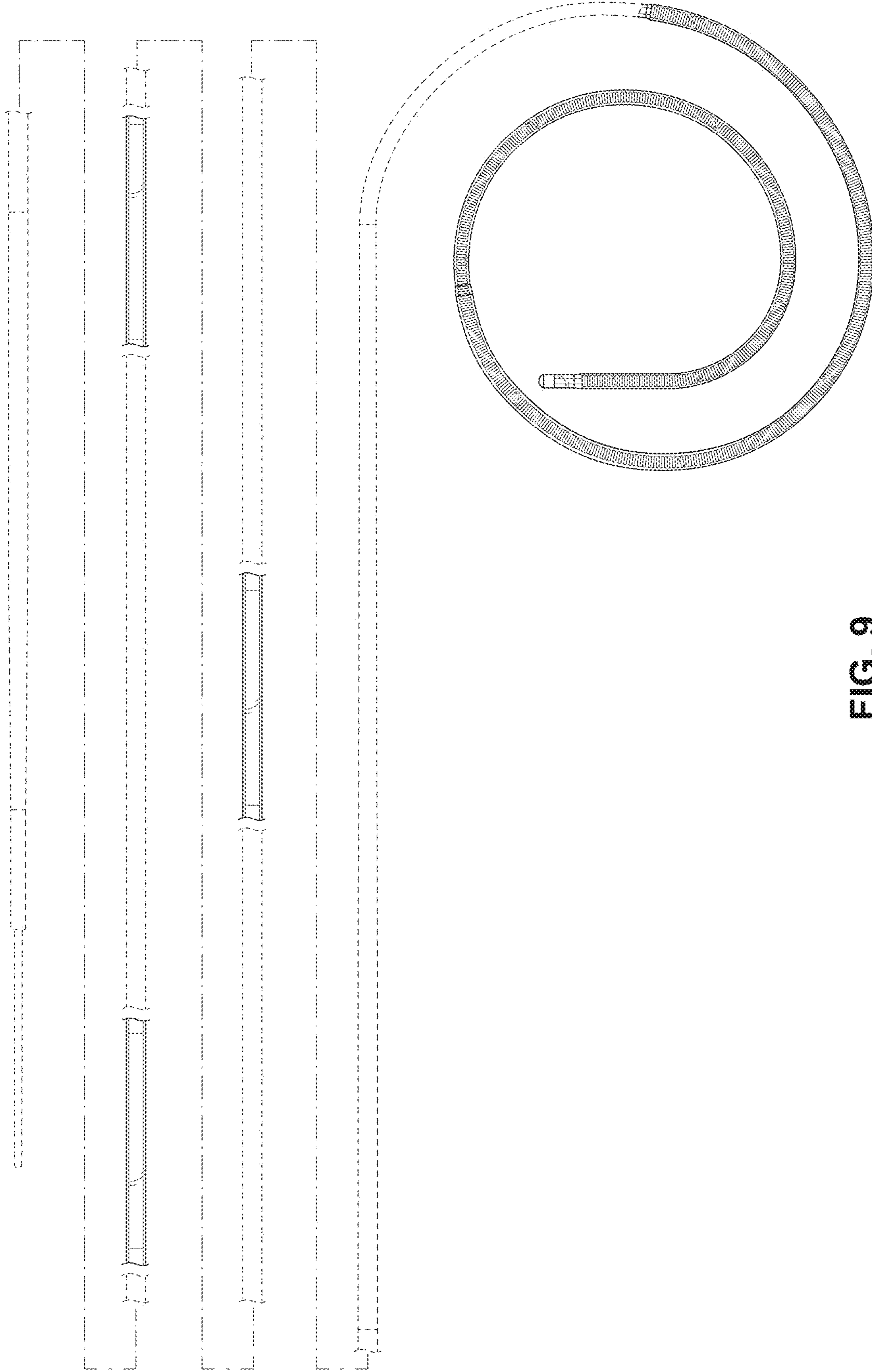


FIG. 9



FIG. 11

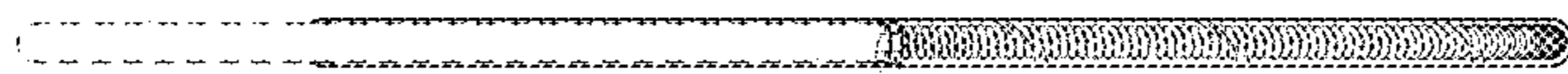


FIG. 10

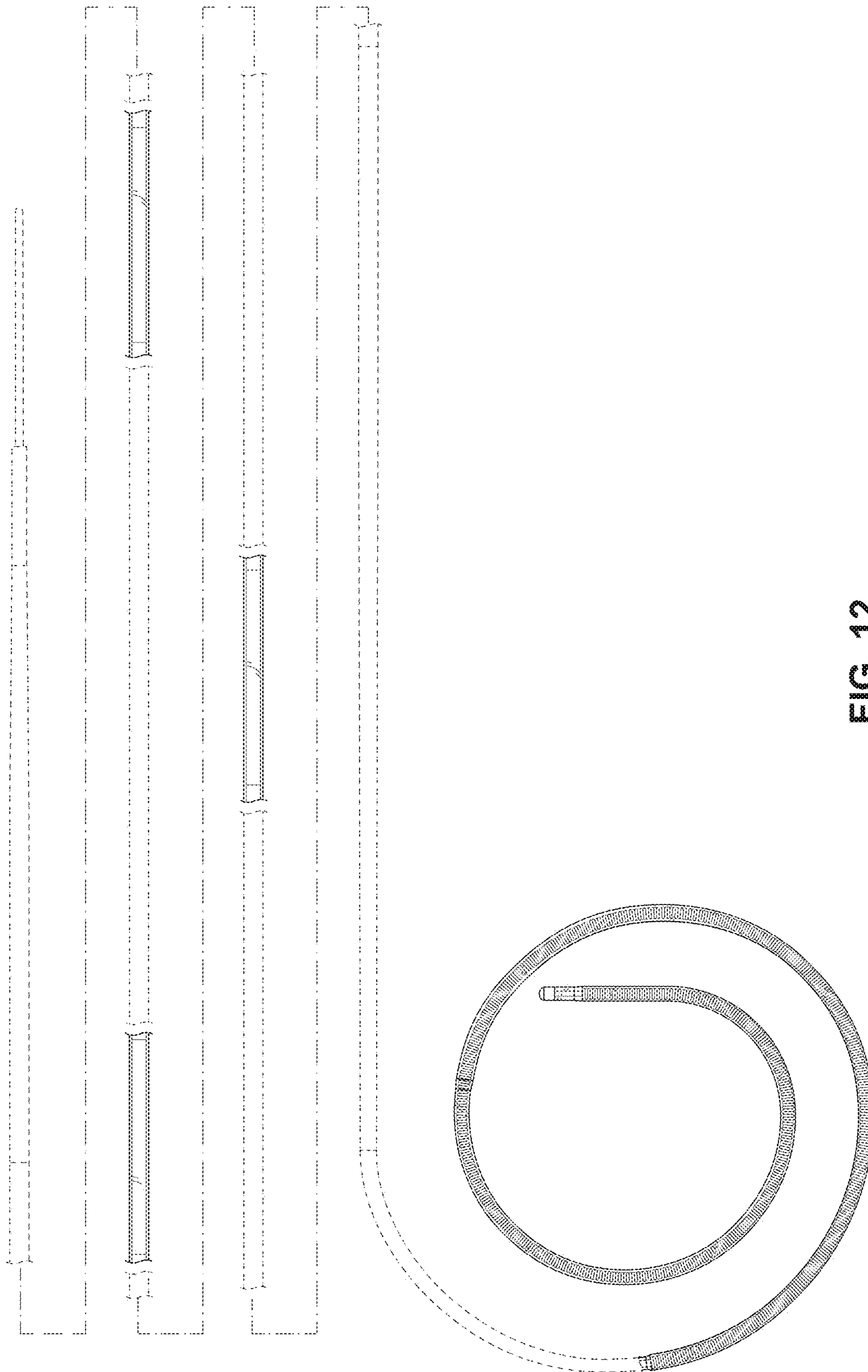


FIG. 12

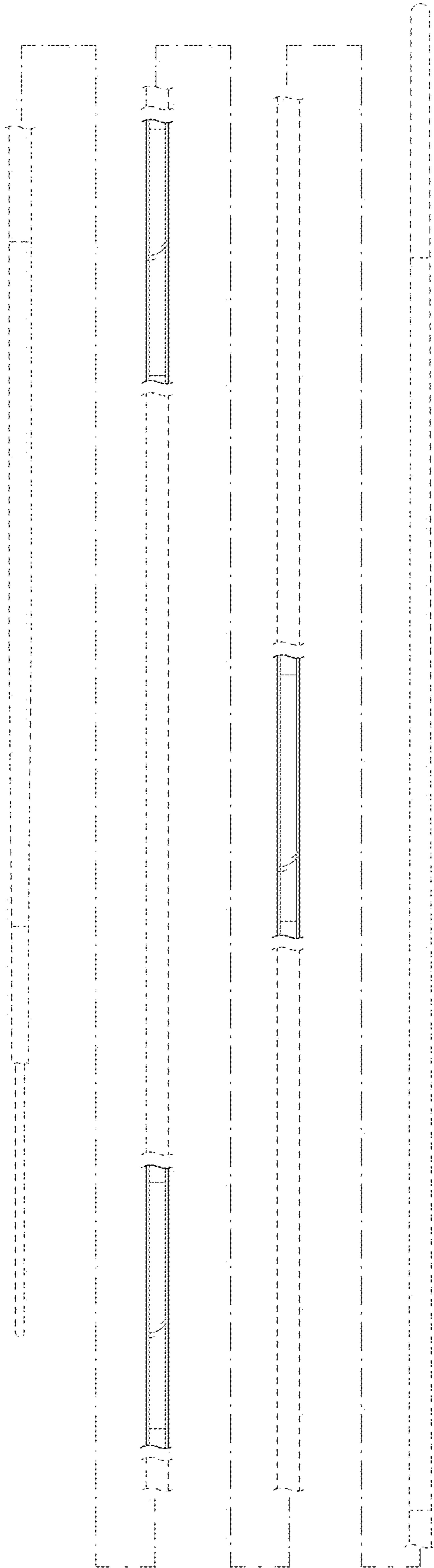


FIG. 13

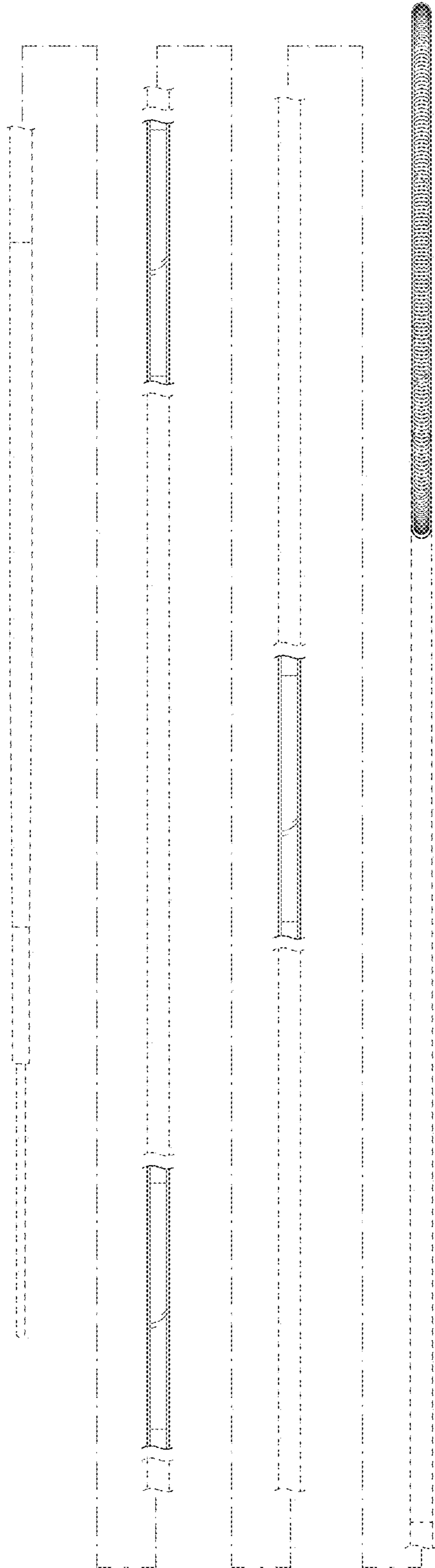


FIG. 14

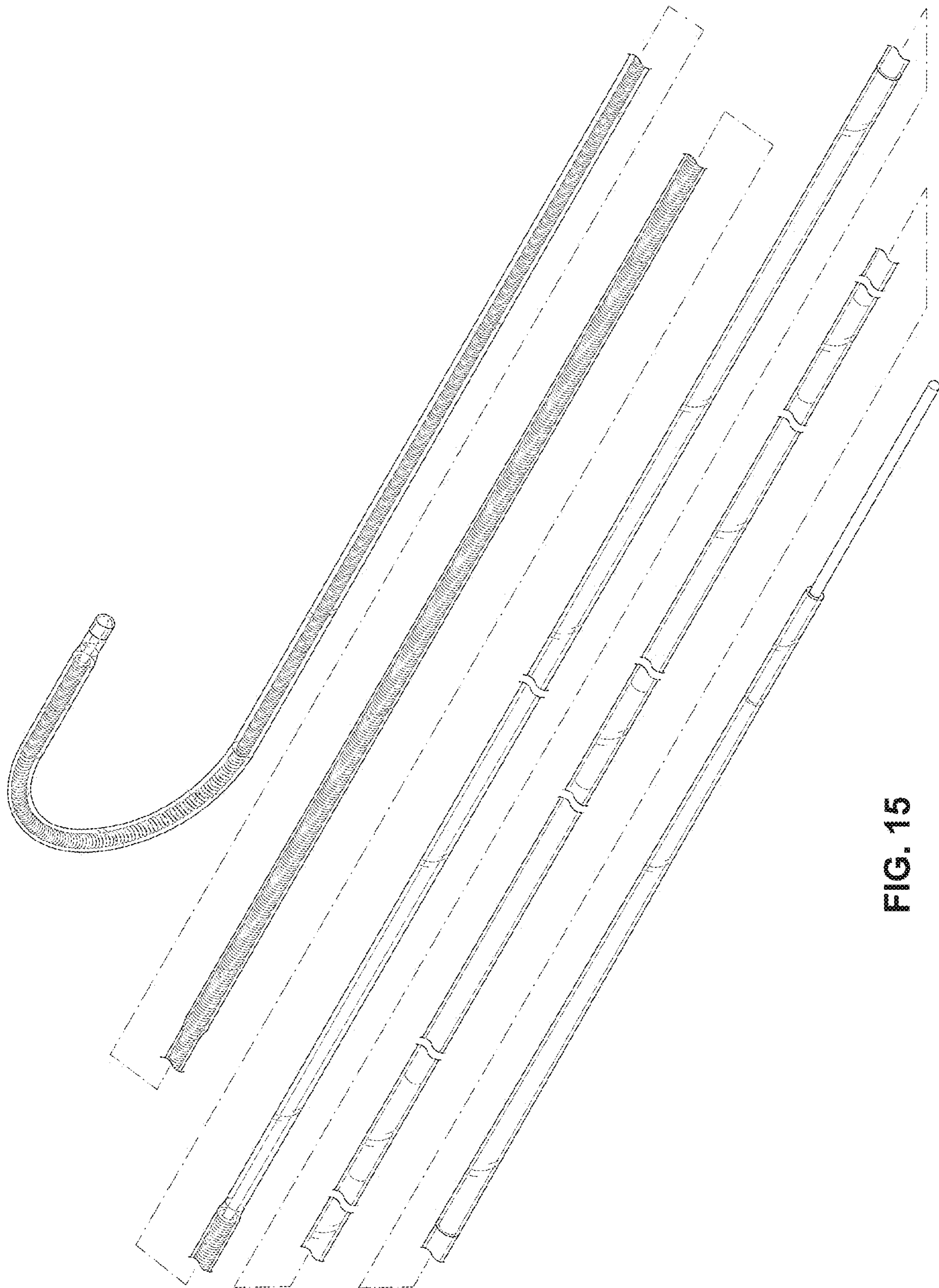


FIG. 15

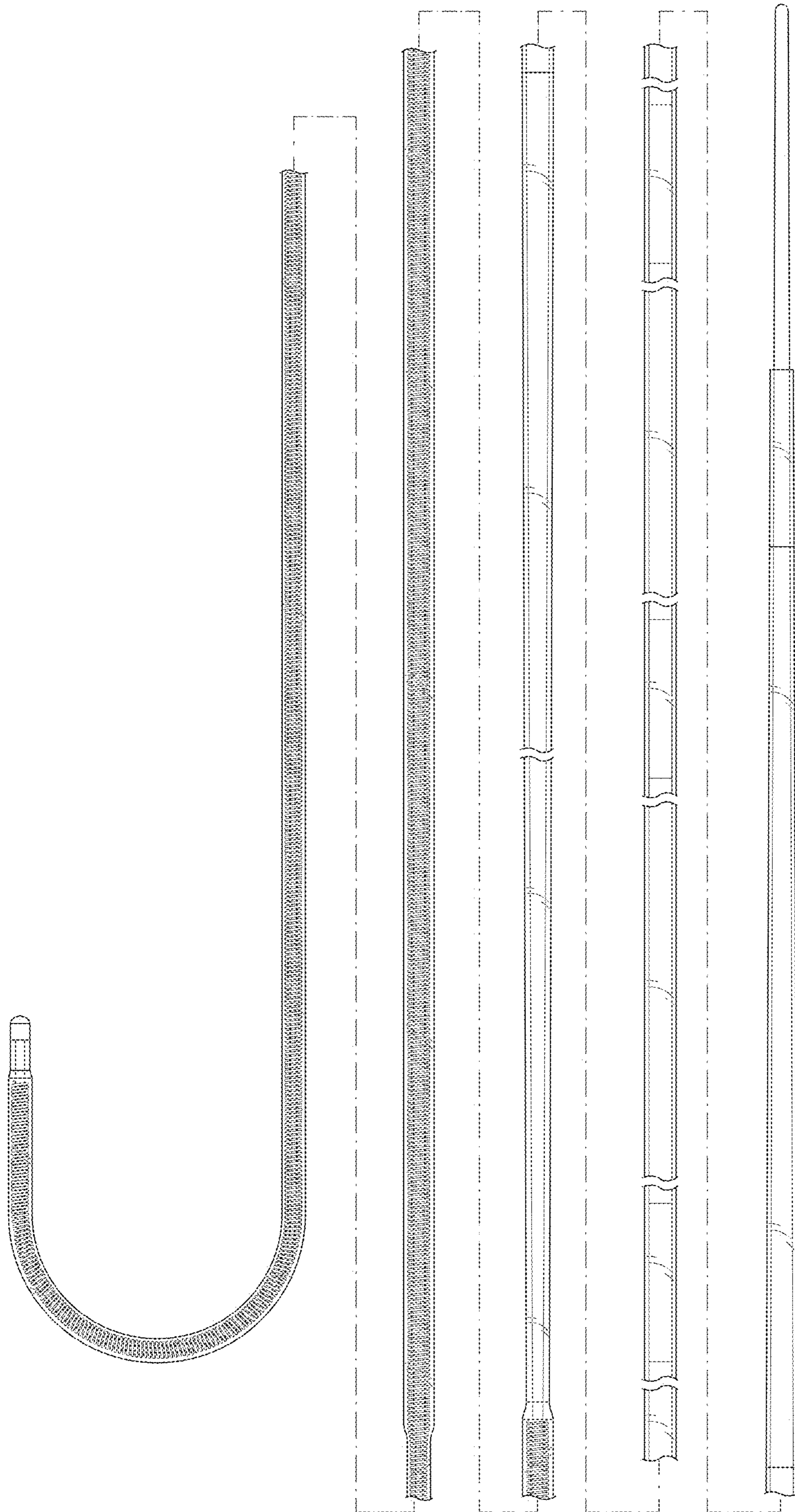


FIG. 16



FIG. 18



FIG. 17

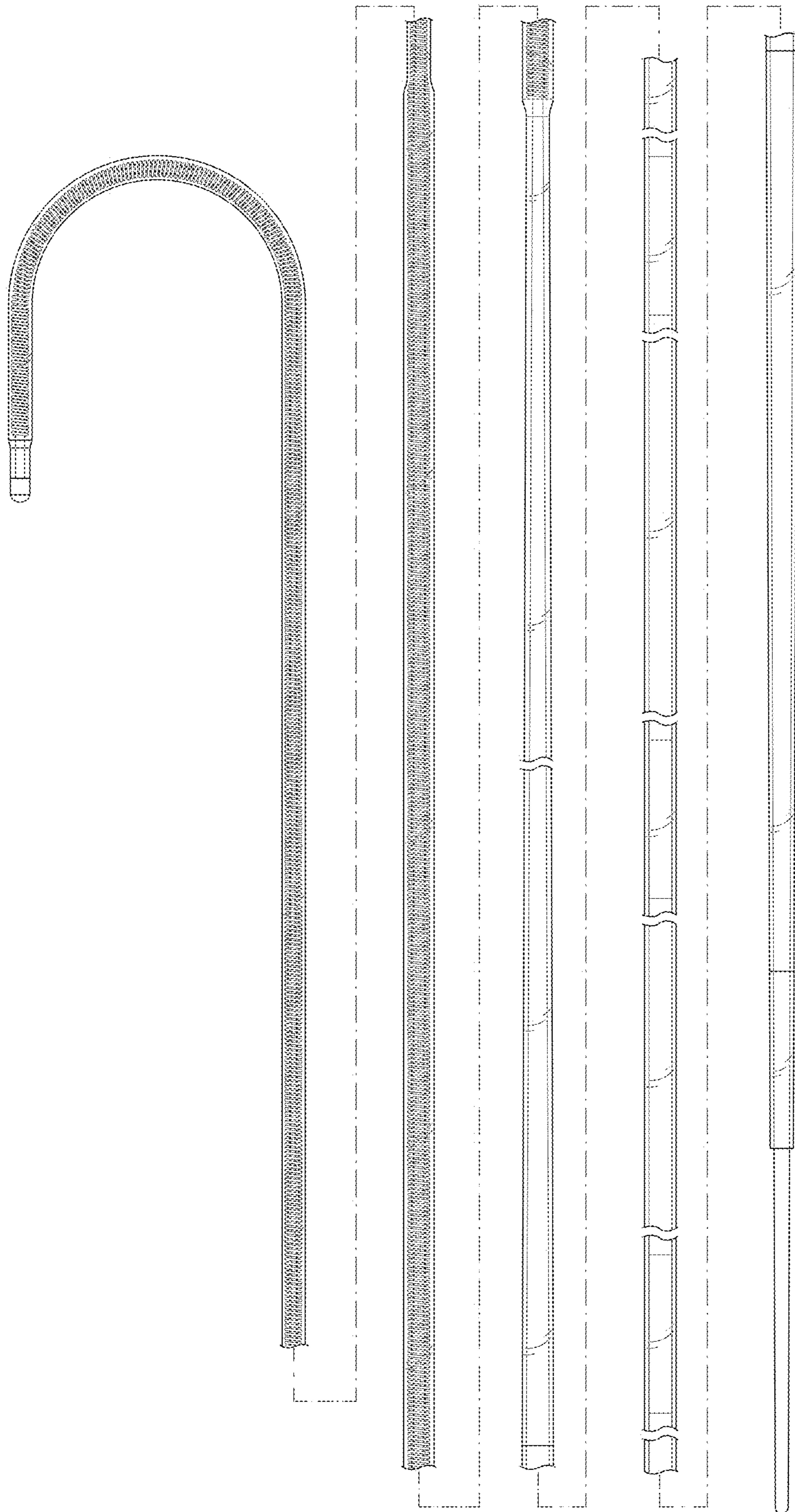


FIG. 19

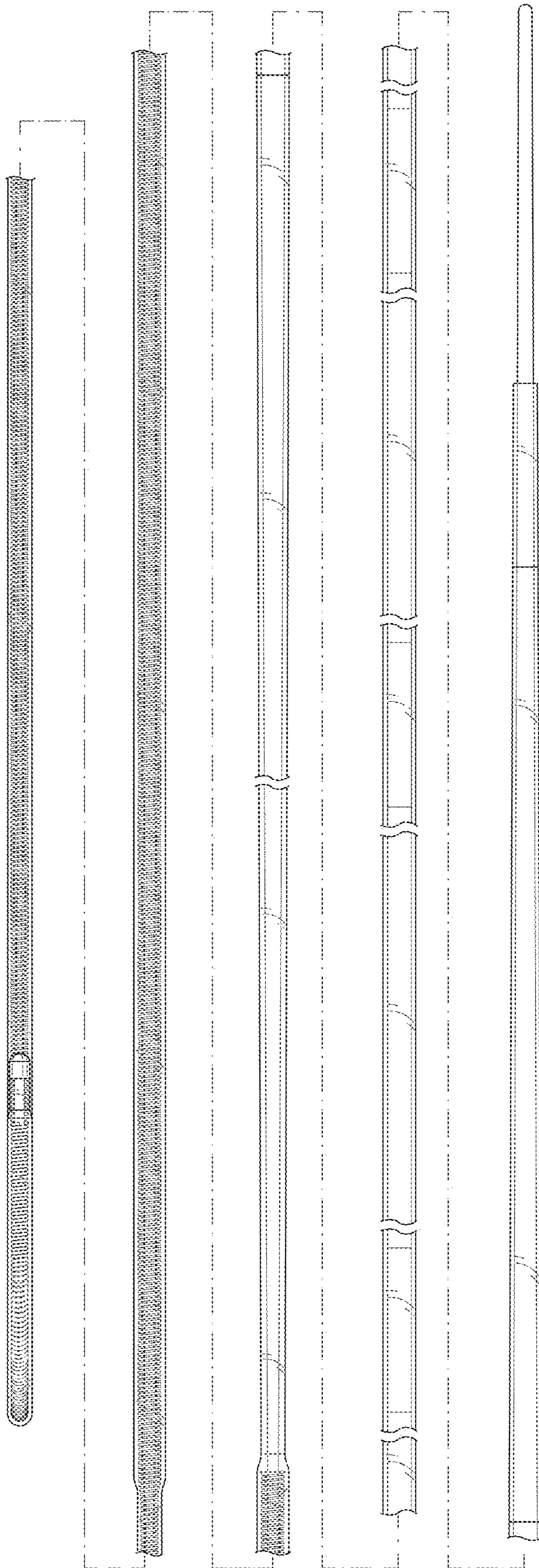


FIG. 20

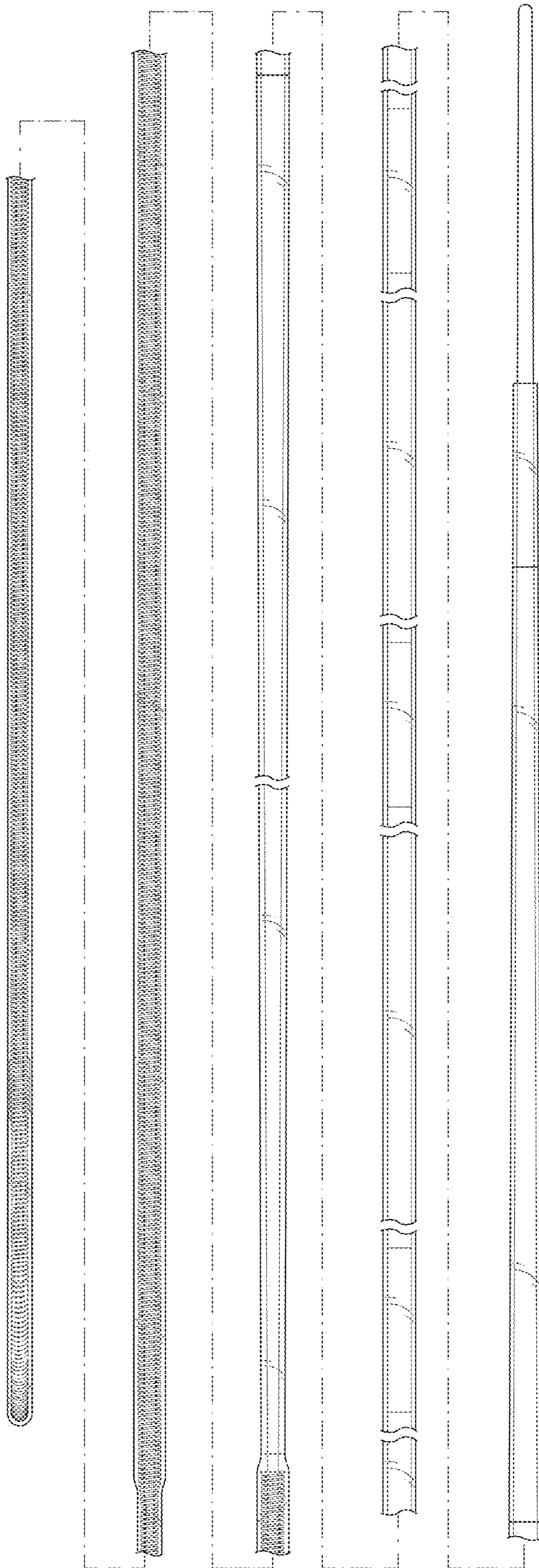


FIG. 21

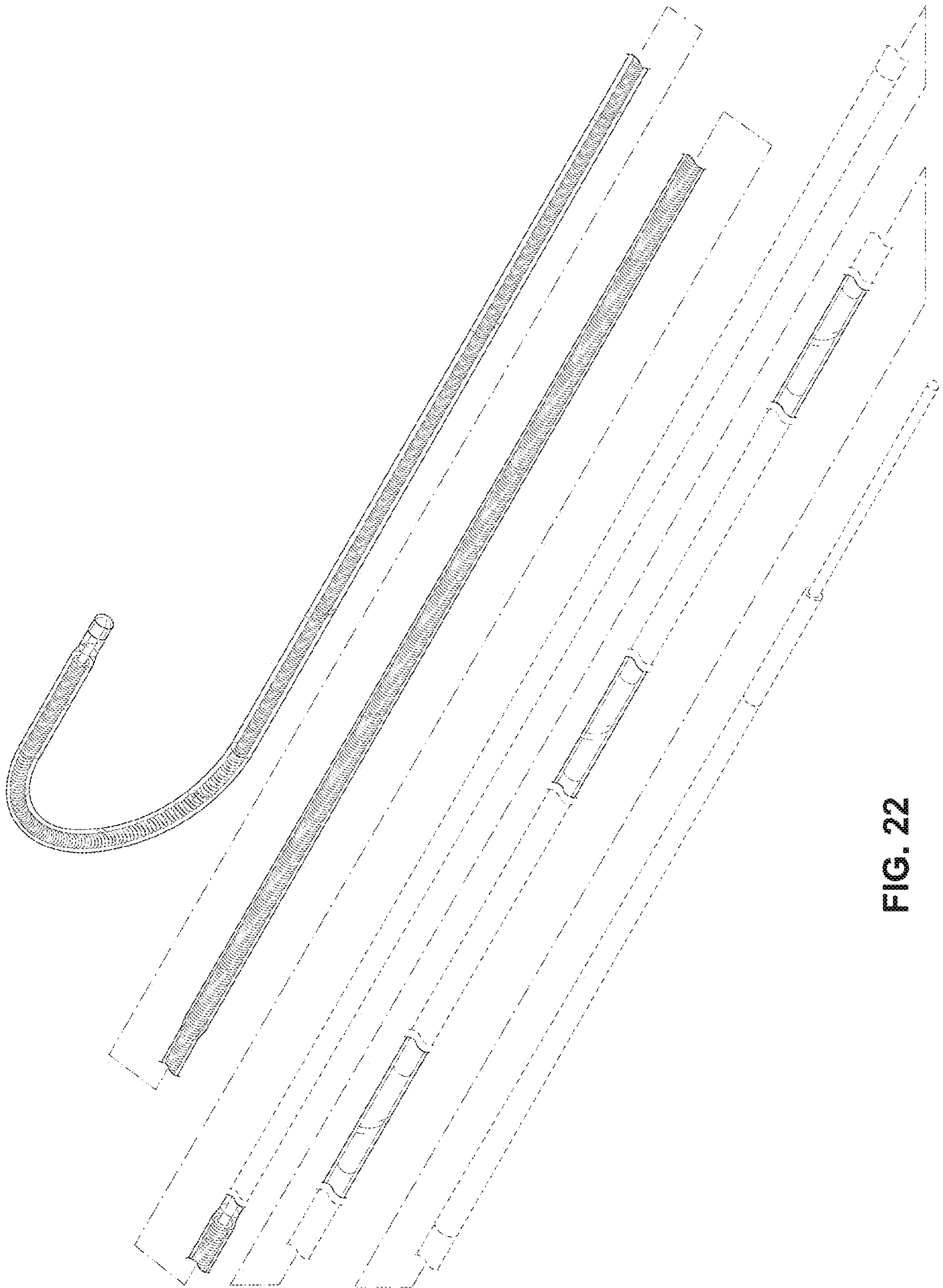


FIG. 22

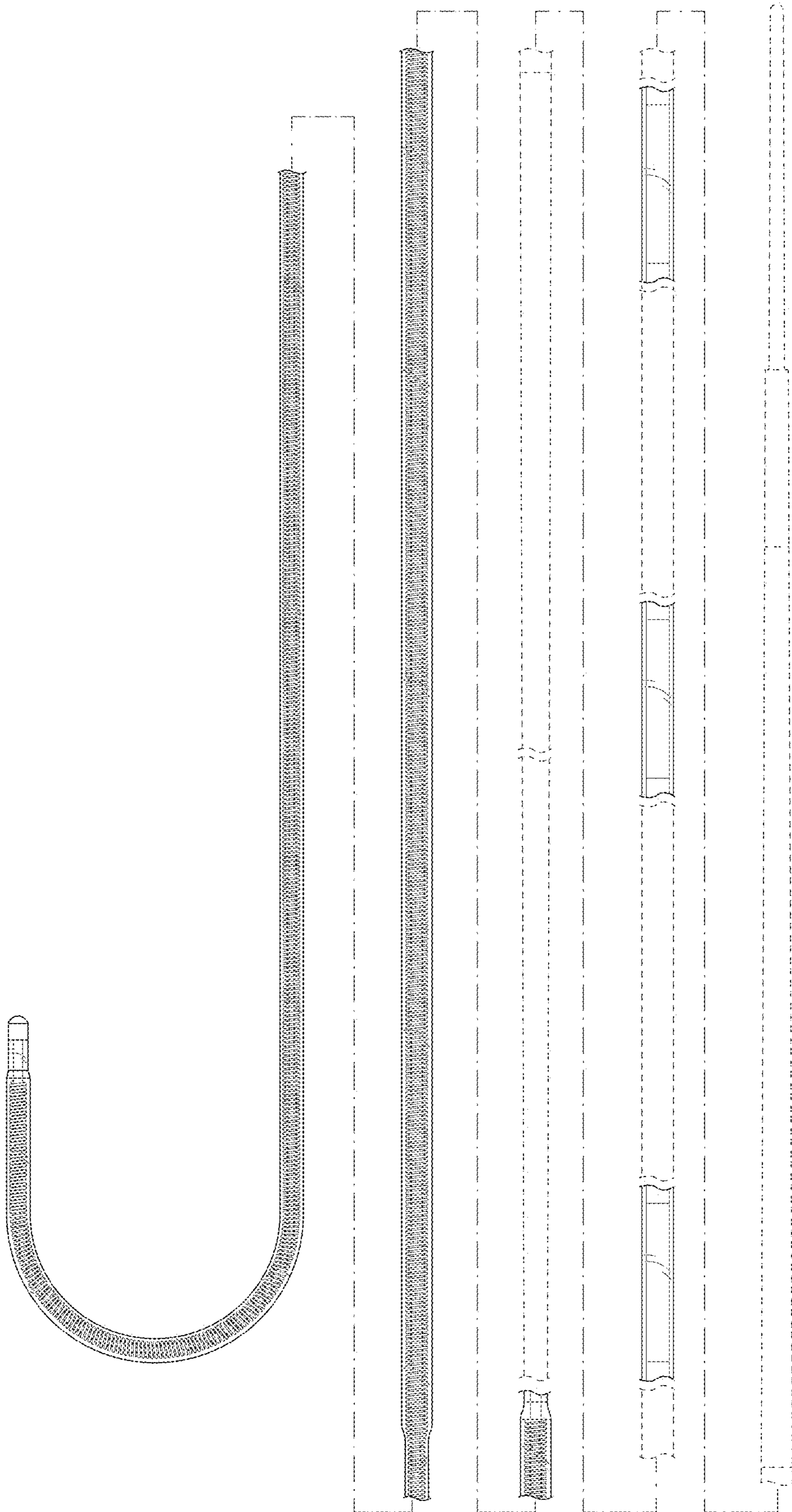


FIG. 23

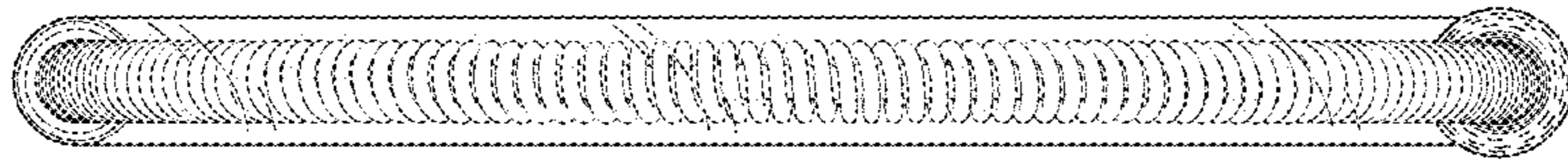


FIG. 25

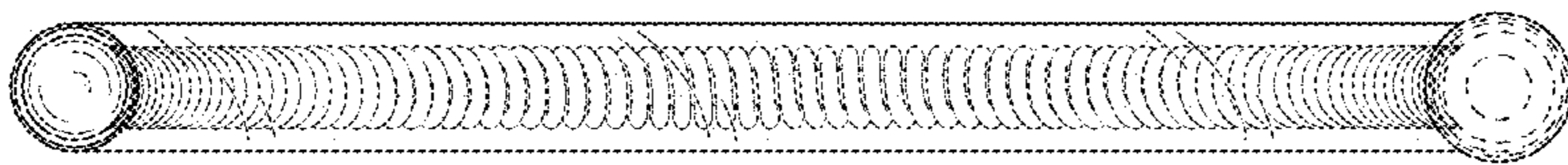


FIG. 24

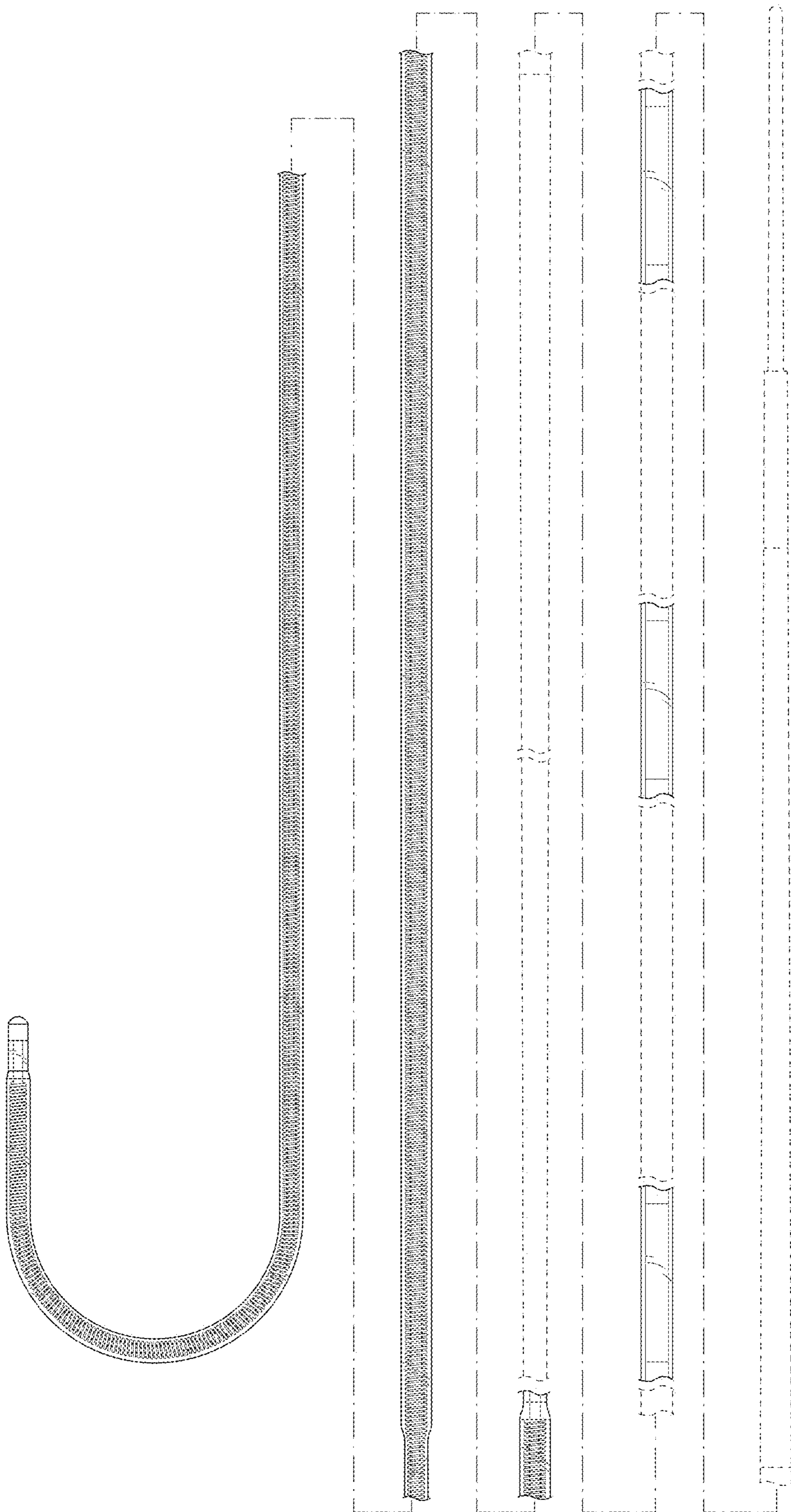


FIG. 26

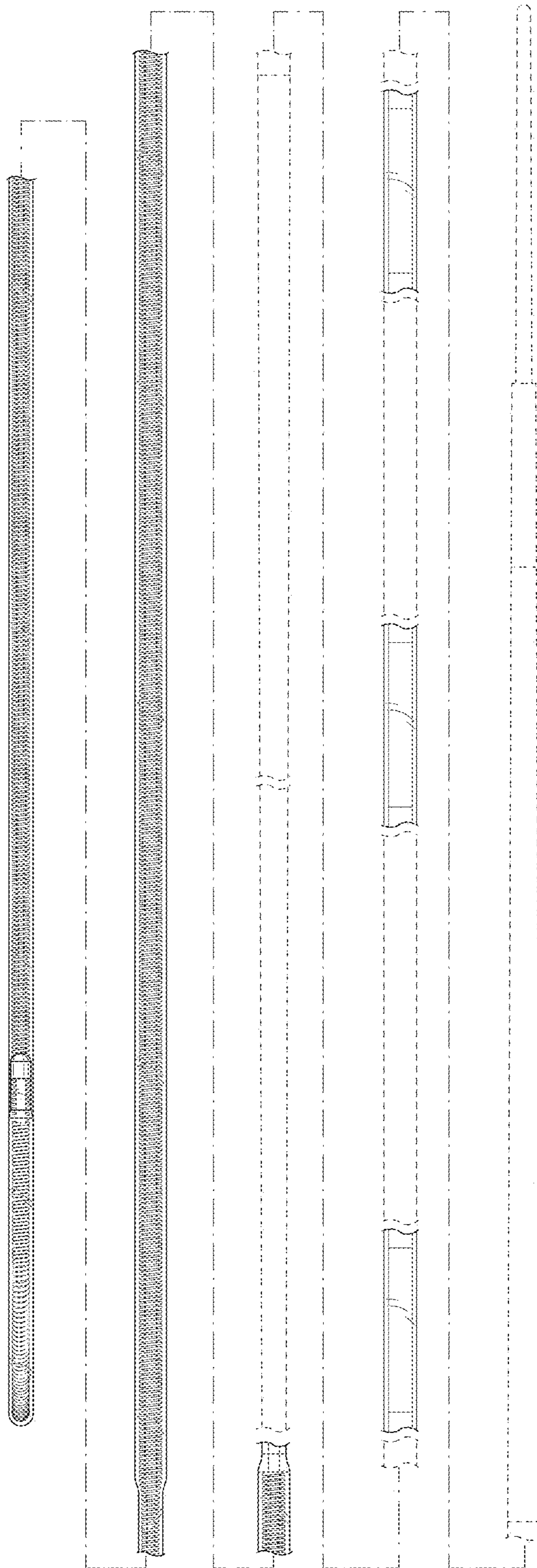


FIG. 27

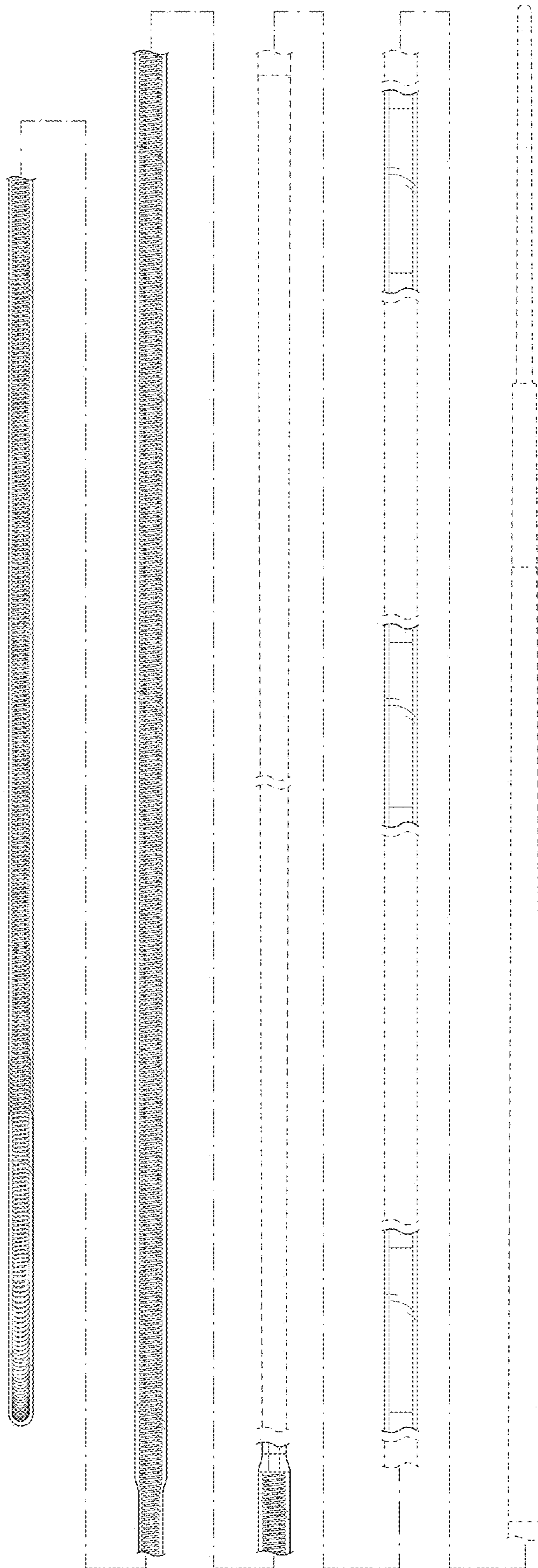


FIG. 28