



US00D963854S

(12) **United States Design Patent**  
**Wagner et al.**

(10) **Patent No.: US D963,854 S**

(45) **Date of Patent: \*\* Sep. 13, 2022**

(54) **DRILL STOP AID FOR SURGICAL USE**

D749,728 S \* 2/2016 Brannon ..... D24/140  
D847,336 S \* 4/2019 Asfora ..... D24/140  
D860,450 S \* 9/2019 Asfora ..... D24/140

(71) Applicant: **Institut Straumann AG**, Basel (CH)

(72) Inventors: **Alexander Wagner**, Basel (CH); **Robin König**, Basel (CH)

(73) Assignee: **Institut Straumann AG**, Basel (CH)

(\*\*) Term: **15 Years**

(21) Appl. No.: **29/761,066**

(22) Filed: **Dec. 7, 2020**

(30) **Foreign Application Priority Data**

Sep. 25, 2020 (WO) ..... WIPO98053

(51) **LOC (13) Cl.** ..... **24-02**

(52) **U.S. Cl.**  
USPC ..... **D24/140**

(58) **Field of Classification Search**  
USPC ..... D24/140, 135, 133  
CPC ..... A61B 17/17; A61B 17/3494; A61B  
2090/062; A61B 5/150175; A61B  
17/1626; A61B 2018/00738; A61B  
17/7092

See application file for complete search history.

(56) **References Cited**

**U.S. PATENT DOCUMENTS**

D216,491 S \* 1/1970 Brown ..... D24/230  
D269,041 S \* 5/1983 Dohogne ..... D24/140  
D289,005 S \* 3/1987 Babb ..... D8/14  
D329,496 S \* 9/1992 Wotton ..... D24/140  
D446,311 S \* 8/2001 Wescott, III ..... D24/230  
D600,346 S \* 9/2009 Petersen ..... D24/140  
D621,938 S \* 8/2010 Petersen ..... D24/140  
D667,548 S \* 9/2012 Brannon ..... D24/140  
D747,479 S \* 1/2016 Knight ..... D24/140  
D747,803 S \* 1/2016 Knight ..... D24/140

**OTHER PUBLICATIONS**

Internet Publication by Straumann, Straumann Drill Stop Basic Information, Publication Date: Nov. 2019, [online], [retrieved on Jan. 8, 2022]. Retrieved from Internet, <URL: file:///C:/Users/beland/Documents/Bridgets%20Files/Applications%2022/20220129\_09/NPL/NPL%2029761066.pdf>.\*  
Straumann, Drill stop aid, searched on Nov. 6, 2020 URL: shop.straumann.com/di/en\_di/Instruments-and-Accessories/Implant-Bed-Preparation/Single-patient-Drills/Single-Patient-Drills-%28Drill-stop-Compatible%29/Drill-Stop-Aid/p/040.461/.

\* cited by examiner

*Primary Examiner* — Bridget L Eland

(74) *Attorney, Agent, or Firm* — Maier & Maier, PLLC

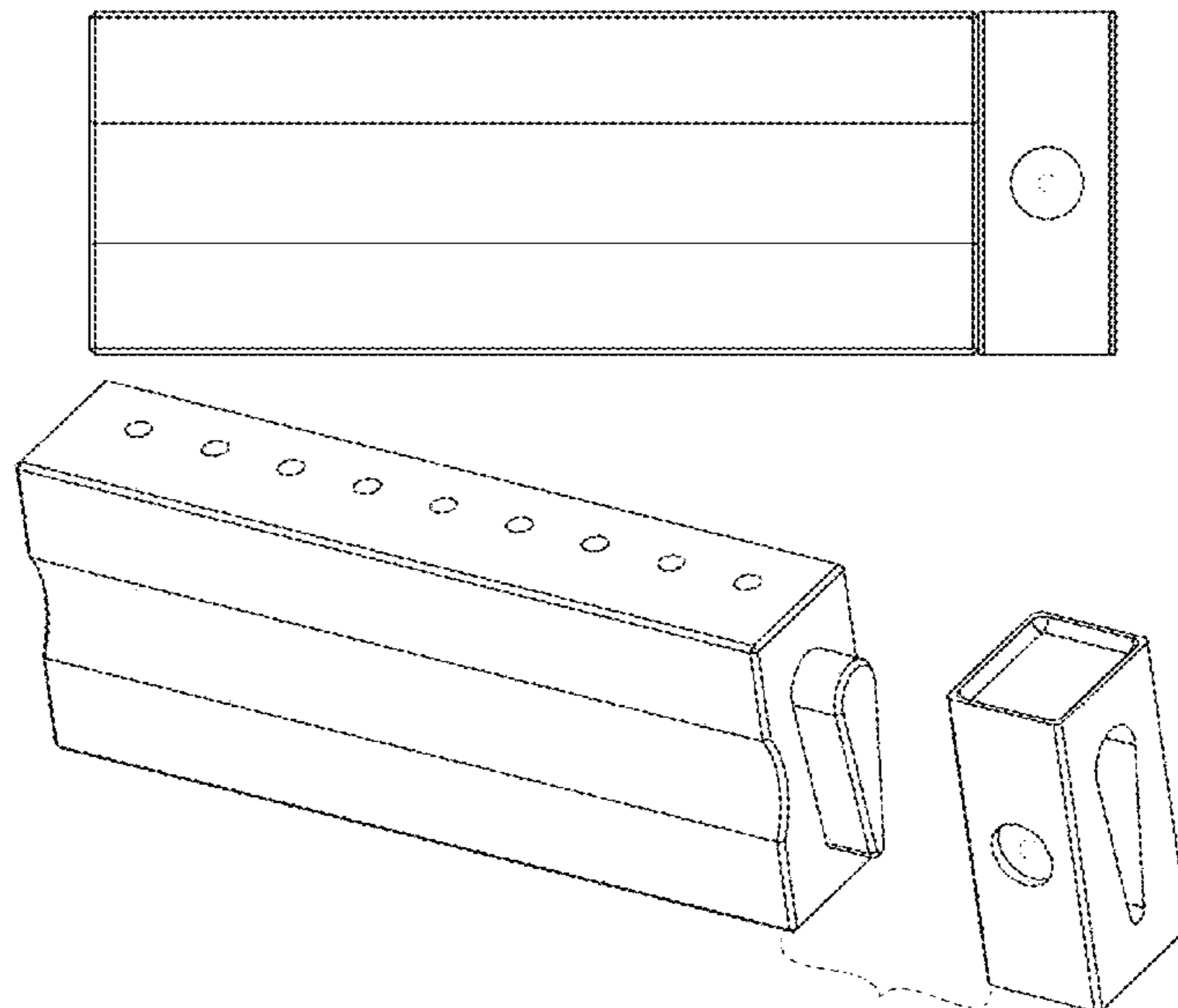
(57) **CLAIM**

The ornamental design for a drill stop aid for surgical use, as shown and described.

**DESCRIPTION**

FIG. 1 is a front view of a drill stop aid for surgical use, showing our design;  
FIG. 2 is a rear view thereof;  
FIG. 3 is a top view thereof;  
FIG. 4 is a bottom view thereof;  
FIG. 5 is a left side view thereof;  
FIG. 6 is a right side view thereof;  
FIG. 7 is a perspective view thereof; and,  
FIG. 8 is an exploded perspective view thereof.  
The broken line elements throughout the Figures illustrate portions of the drill stop aid for surgical use and form no part of the claimed design. The broken line bracket shown in the FIG. 8 view indicates the association of elements of the exploded view; the bracket forms no part of the claimed design.

**1 Claim, 4 Drawing Sheets**



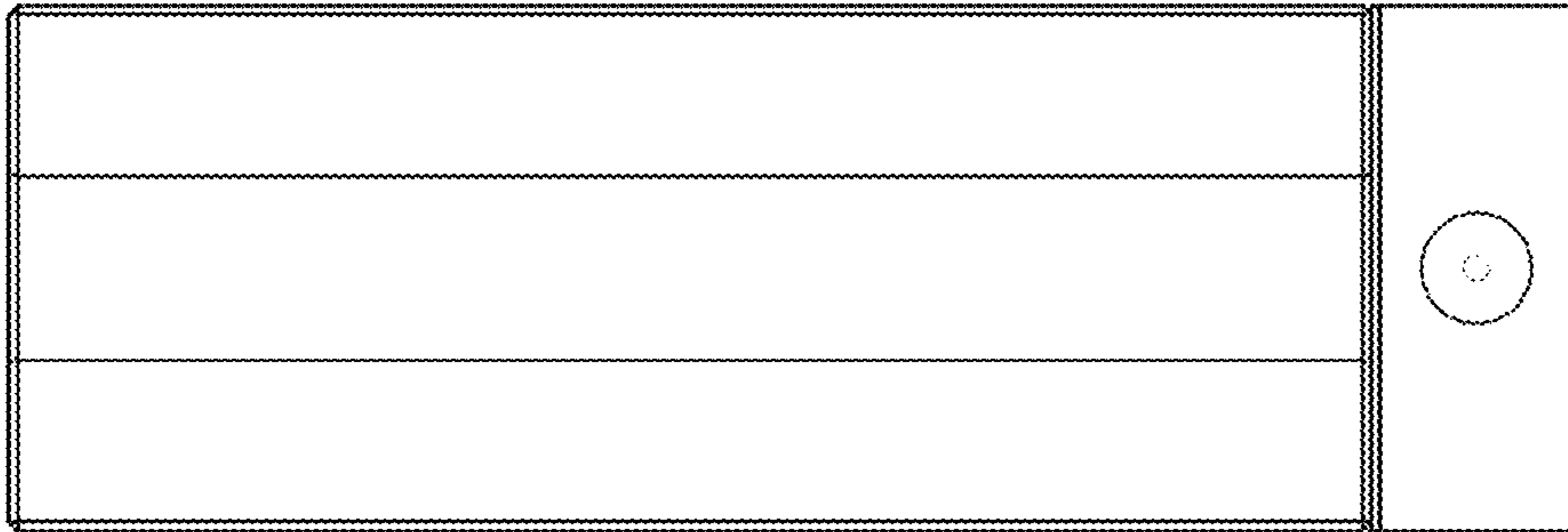


FIG. 1

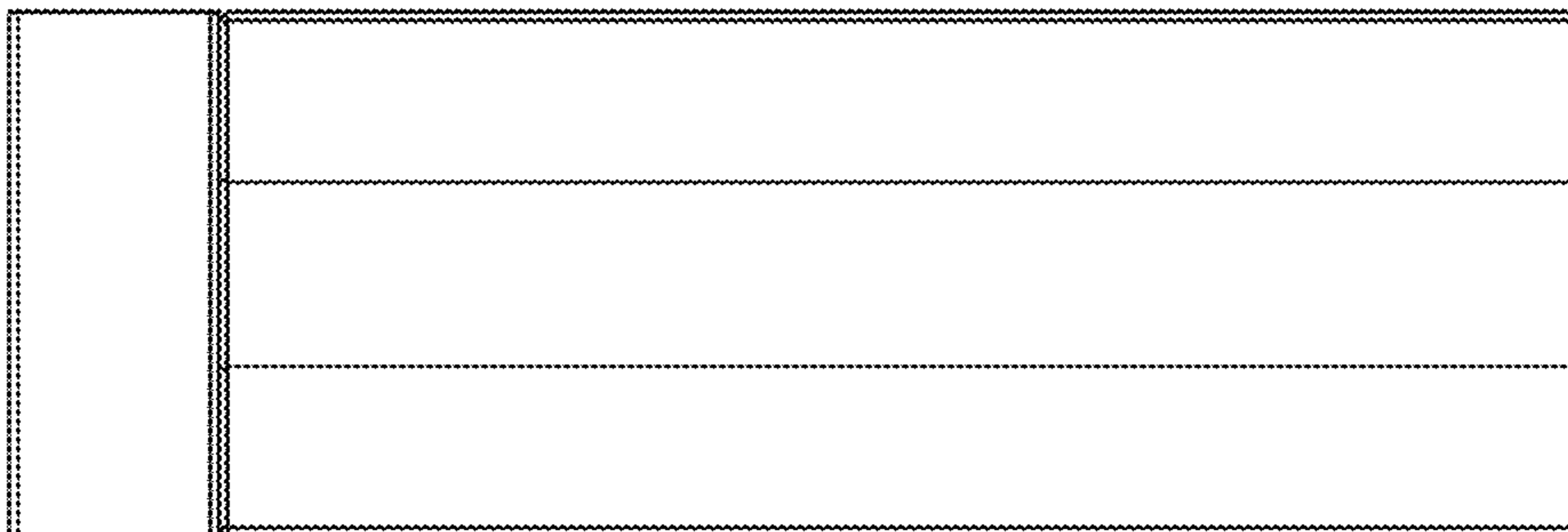


FIG. 2

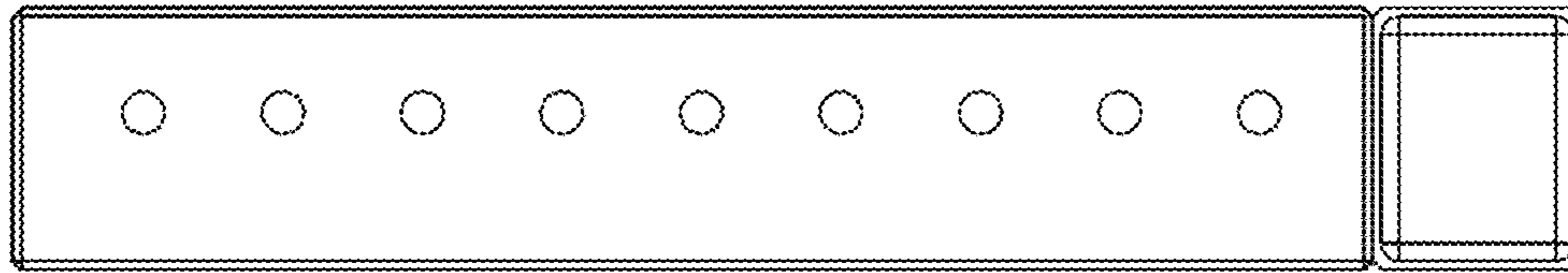


FIG. 3

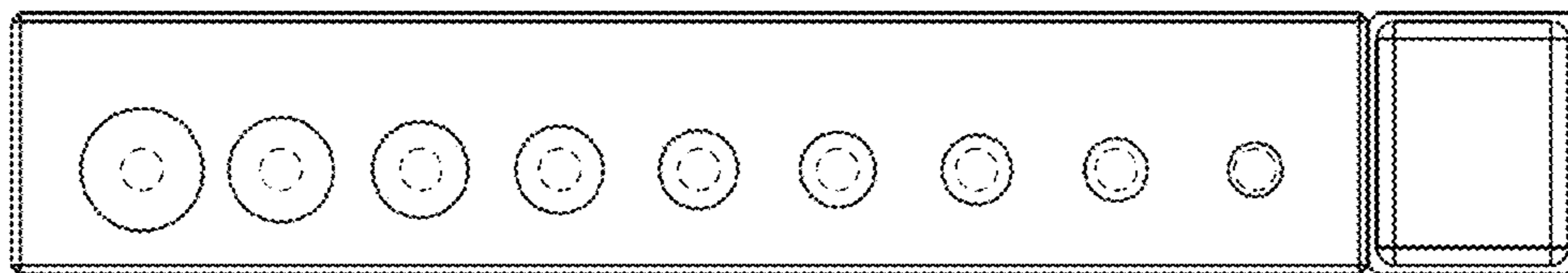


FIG. 4

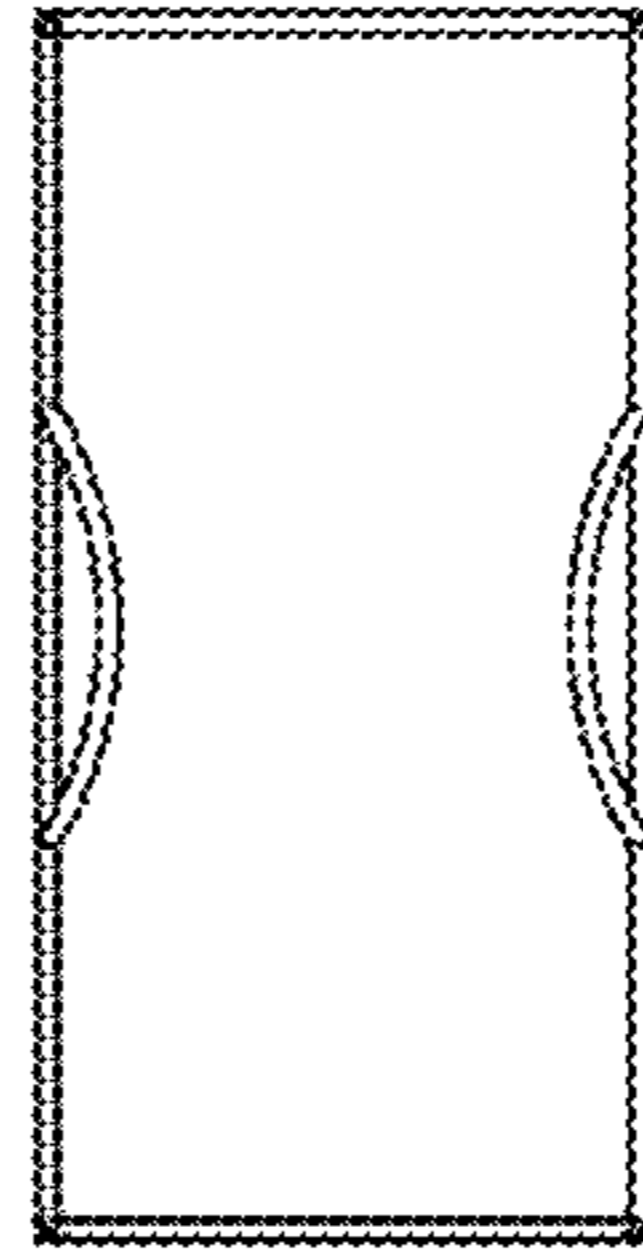


FIG. 5

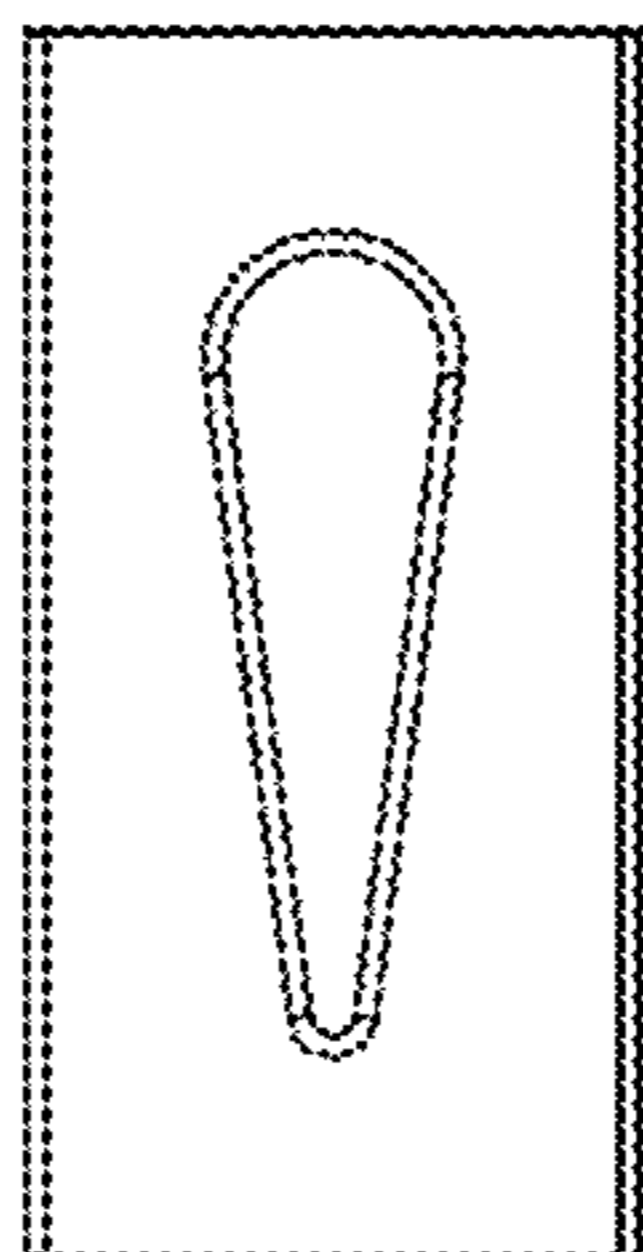


FIG. 6

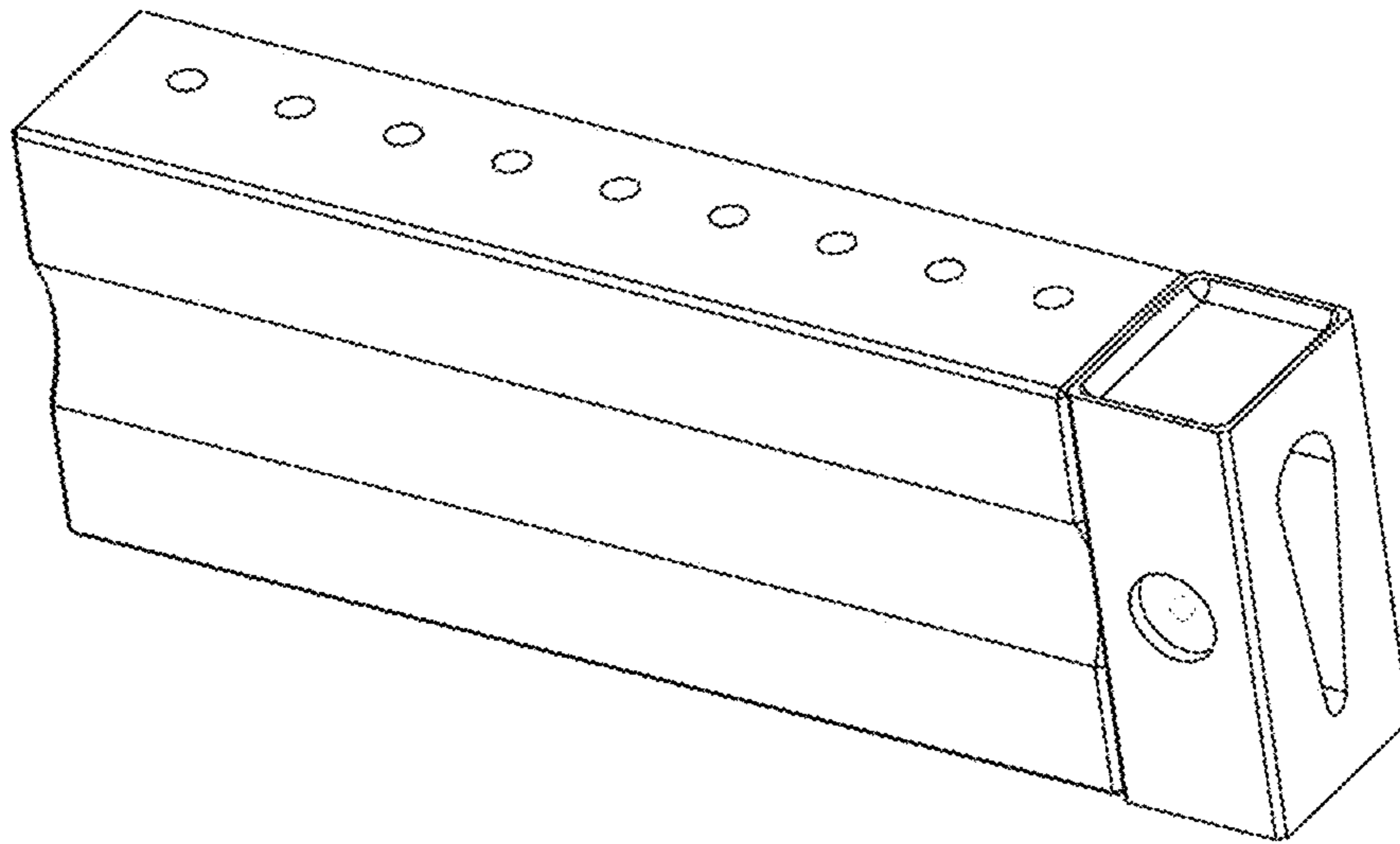


FIG. 7

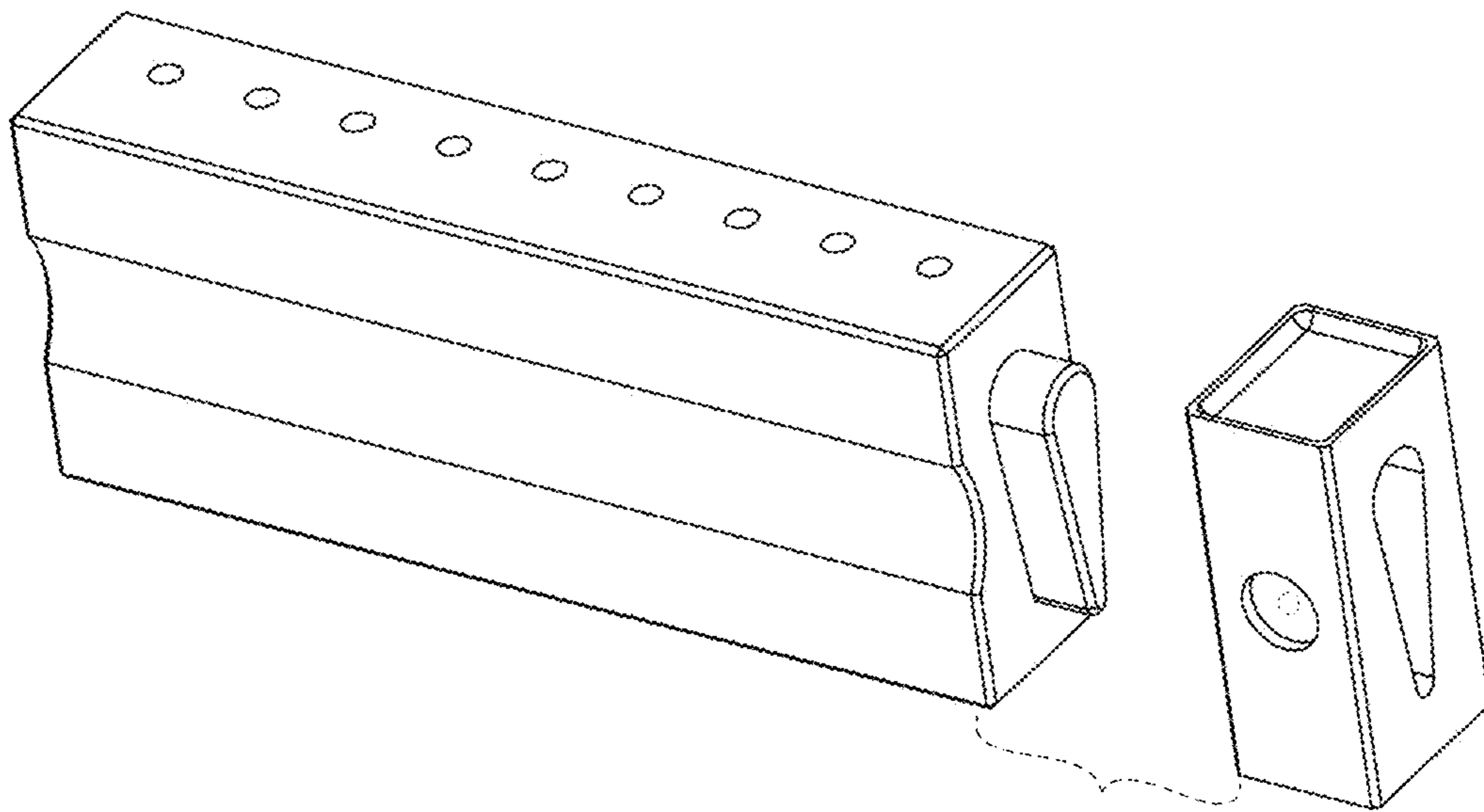


FIG. 8