



US00D963853S

(12) **United States Design Patent** (10) **Patent No.:** **US D963,853 S**
Haywood et al. (45) **Date of Patent:** **** Sep. 13, 2022**

(54) **INJECTION SITE TOOL**

(74) *Attorney, Agent, or Firm* — Servilla Whitney LLC

(71) Applicant: **Becton, Dickinson and Company**,
Franklin Lakes, NJ (US)

(57) **CLAIM**

The ornamental design for an injection site tool, substantially as shown and described.

(72) Inventors: **Regina Haywood**, Franklin Lakes, NJ (US); **Brad E. Noe**, Randolph, NJ (US)

(73) Assignee: **Becton, Dickinson and Company**,
Franklin Lakes, NJ (US)

DESCRIPTION

(**) Term: **15 Years**

(21) Appl. No.: **29/725,656**

(22) Filed: **Feb. 26, 2020**

(51) **LOC (13) Cl.** **24-02**

(52) **U.S. Cl.**
USPC **D24/140**

(58) **Field of Classification Search**
USPC D24/140, 133; D10/64, 65, 73
(Continued)

(56) **References Cited**

U.S. PATENT DOCUMENTS

D261,302 S * 10/1981 Wheeler D10/73
D322,125 S * 12/1991 Dorsey D24/140
(Continued)

FOREIGN PATENT DOCUMENTS

CN 104667389 A 6/2015
GB 2234715 A 2/1991

OTHER PUBLICATIONS

Cook, Ian F., "An evidence based protocol for the prevention of upper arm injury related to vaccine administration (UAIRVA)", *Human Vaccines* (2011), 7:8, pp. 845-848.
(Continued)

Primary Examiner — Bridget L Eland

FIG. 1 is a front view of an injection site tool according to a first embodiment depicted in a first position;
FIG. 2 is a left side view of the injection site tool of FIG. 1, the right side view being a mirror image thereof;
FIG. 3 is a top view of the injection site tool of FIG. 1;
FIG. 4 is a bottom view of the injection site tool of FIG. 1;
FIG. 5 is a front view of the injection site tool of FIG. 1 depicted in a second position;
FIG. 6 is a front view of the injection site tool of FIG. 1 depicted in a third position;
FIG. 7 is a front view of an injection site tool according to a second embodiment depicted in a first position, the side, top and bottom views being identical to those of the first embodiment;
FIG. 8 is front view of the injection site tool of FIG. 7 depicted in a second position;
FIG. 9 is a front view of the injection site tool of FIG. 7 depicted in a third position;
FIG. 10 is a front view of an injection site tool according to a third embodiment depicted in a first position, the side, top and bottom views being identical to those of the first embodiment;
FIG. 11 is a front view of the injection site tool of FIG. 10 depicted in a second position;
FIG. 12 is a front view of the injection site tool of FIG. 10 depicted in a third position;
FIG. 13 is a front view of an injection site tool according to a fourth embodiment depicted in a first position;
FIG. 14 is a left side view of the injection site tool of FIG. 13, the right side view being a mirror image thereof;
FIG. 15 is top view of the injection site tool of FIG. 13;
FIG. 16 is a bottom view of the injection site tool of FIG. 13;
FIG. 17 is a front view of the injection site tool of FIG. 13 depicted in a second position;
(Continued)

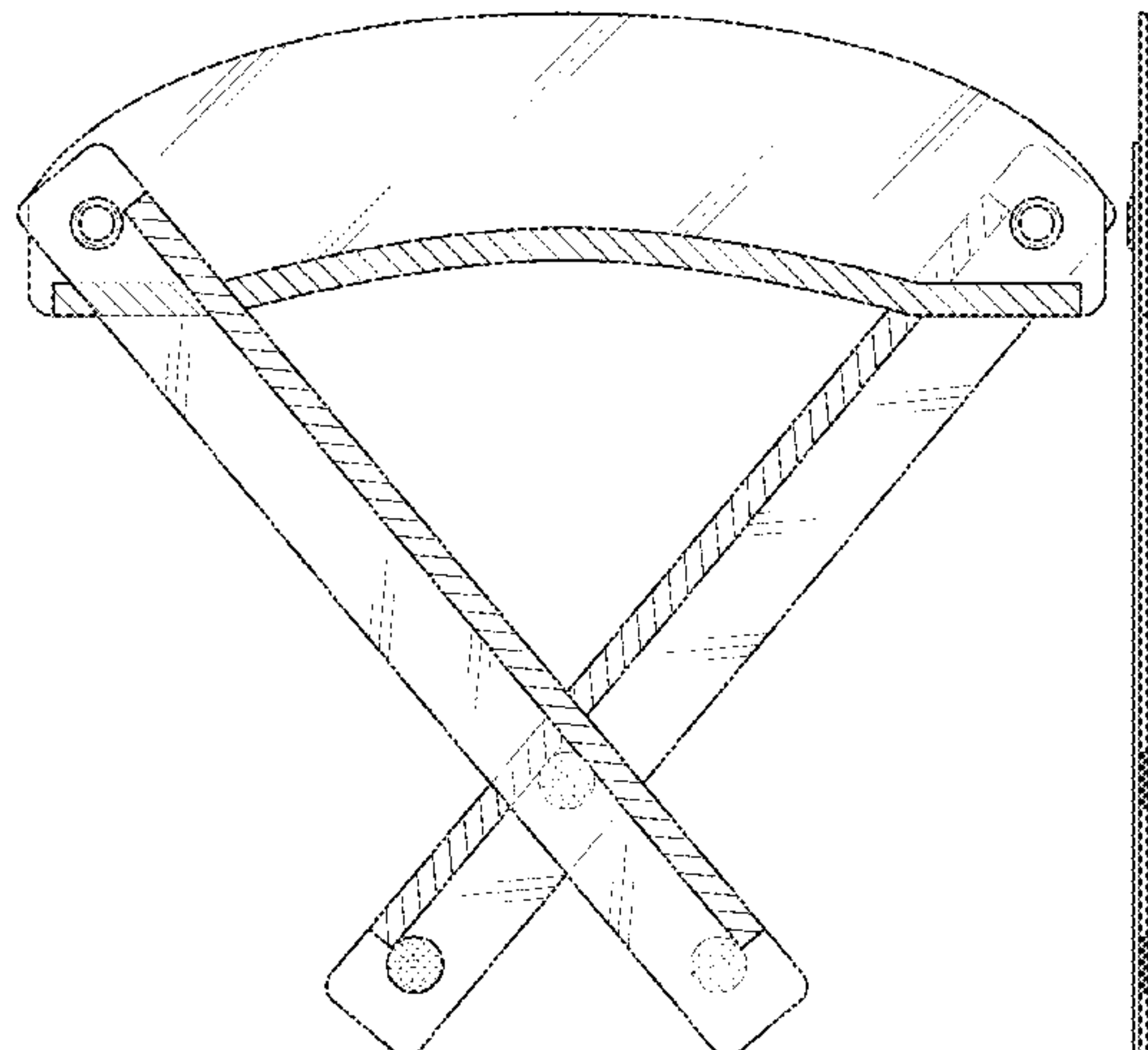


FIG. 18 is a front view of the injection site tool of FIG. 13 depicted in a third position;
 FIG. 19 is a front view of an injection site tool according to a fifth embodiment depicted in a first position, the side, top and bottom views being identical to those of the fourth embodiment with the exception of the circle structure lines are dash-dot broken lines;
 FIG. 20 is a front view of the injection site tool of FIG. 19 depicted in a second position; and,
 FIG. 21 is a front view of the injection site tool of FIG. 19 depicted in a third position.
 Portions of the article shown in dash-dot lines throughout the views of the fifth embodiment form no part of the claimed design.
 The evenly spaced diagonal lines shown throughout the views of the first and second embodiments define contrasting surfaces.
 The stipple shading shown throughout the views of first through fourth embodiments define contrasting surfaces.
 The evenly spaced broken lines shown throughout the views of the second embodiment are part of the ornamental appearance of the second embodiment.

1 Claim, 19 Drawing Sheets

(58) **Field of Classification Search**
 CPC .. A61M 5/427; A61M 5/002; A61M 2205/33;
 A61M 2205/02; A61M 2210/083
 See application file for complete search history.

(56)

References Cited

U.S. PATENT DOCUMENTS

D379,657	S *	6/1997	Pretel	D10/65
5,732,474	A	3/1998	Cannon	
D647,206	S *	10/2011	Massad	D24/181
8,047,201	B2 *	11/2011	Guyuron	A61F 5/08 128/200.24
D664,655	S *	7/2012	Daniel	D24/140
D682,425	S *	5/2013	Nunes	D24/140
D723,397	S *	3/2015	Quint, Jr.	D10/65
D750,776	S *	3/2016	Lytle	D24/140
9,398,919	B2	7/2016	Aram et al.	
D782,351	S *	3/2017	Zahora	D10/73
D806,587	S *	1/2018	Fishburne, Jr.	D10/64
D933,506	S *	10/2021	Kurani	D10/65
2014/0039451	A1 *	2/2014	Bangera	G05B 19/4099 604/506
2018/0133403	A1	5/2018	Schneider et al.	
2020/0276396	A1 *	9/2020	Haywood	A61M 5/427

OTHER PUBLICATIONS

PCT International Search Report and Written Opinion in PCT/
 US2020/020038 dated May 26, 2020, 13 pages.

* cited by examiner

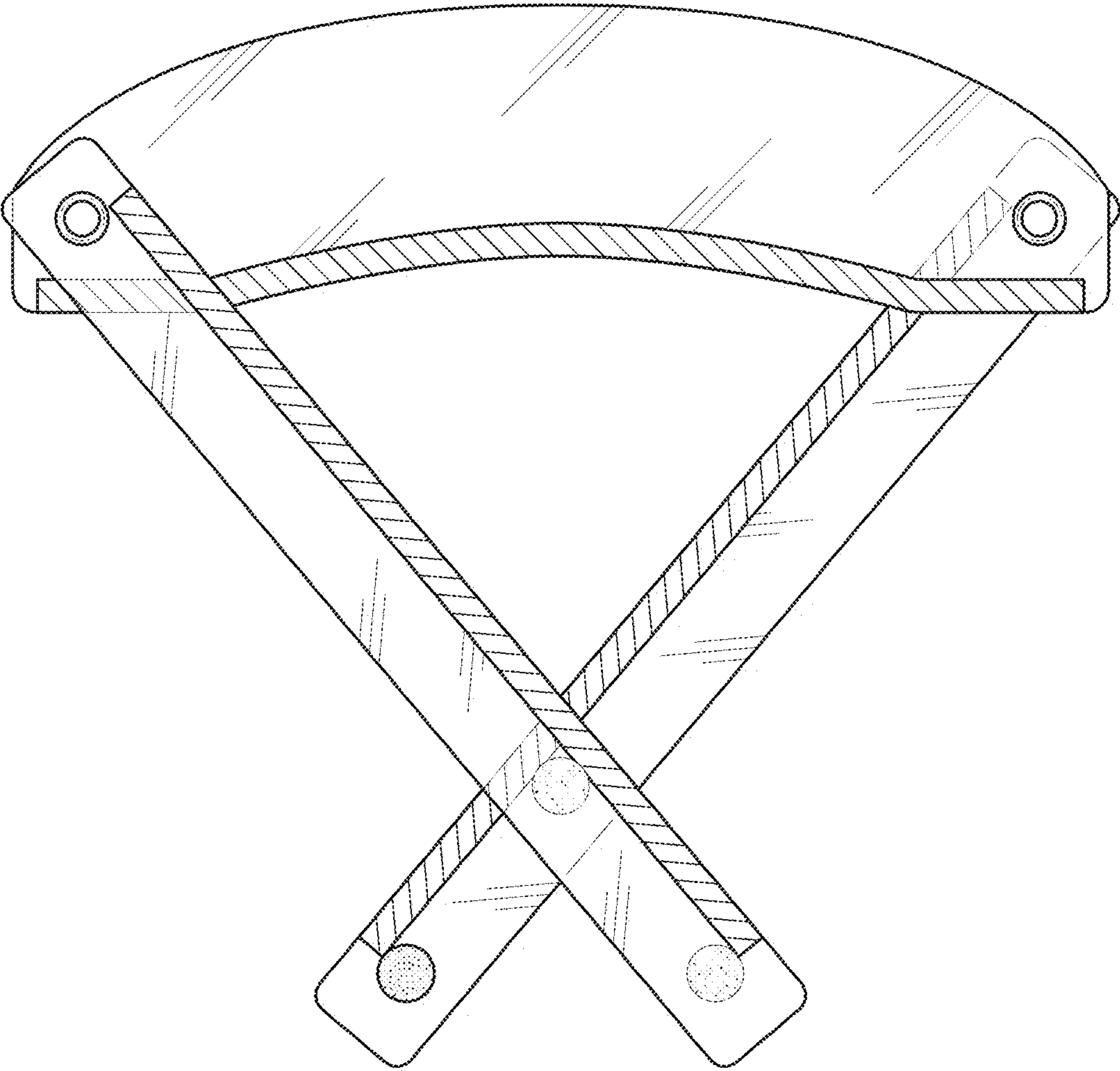


FIG. 1



FIG. 2

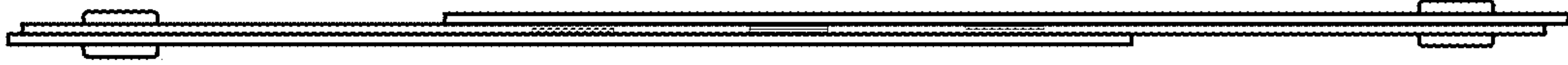


FIG. 3



FIG. 4

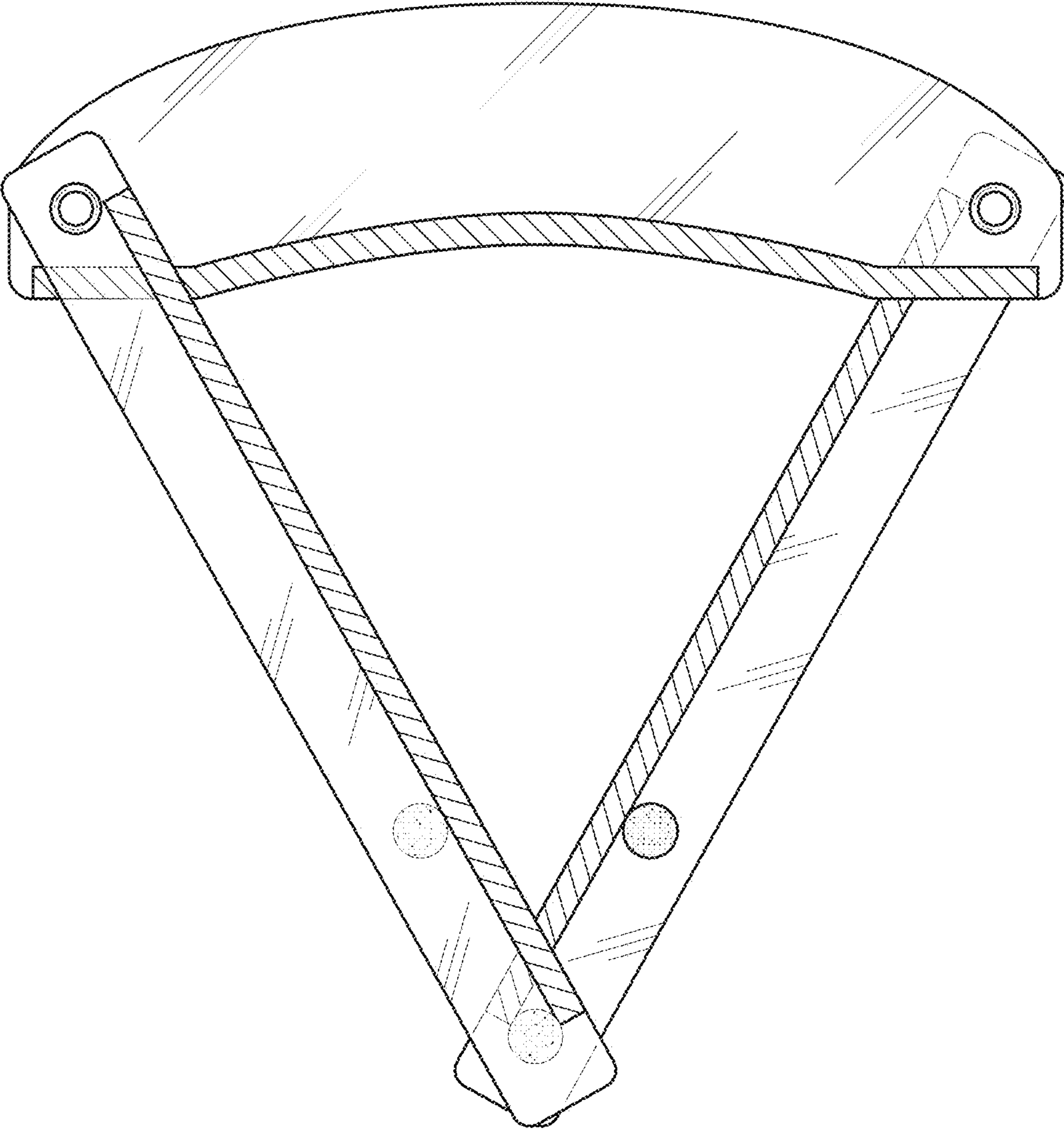


FIG. 5

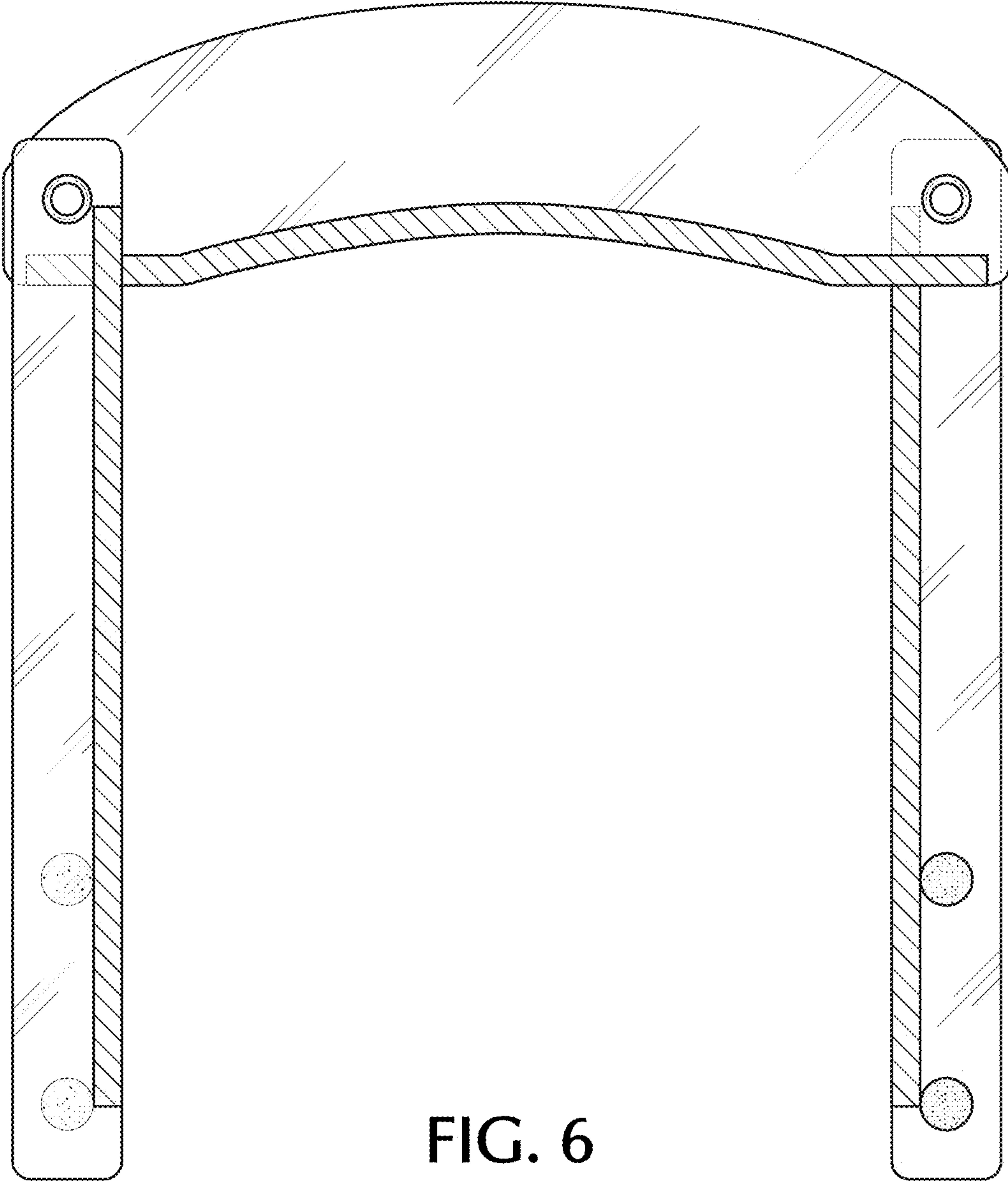


FIG. 6

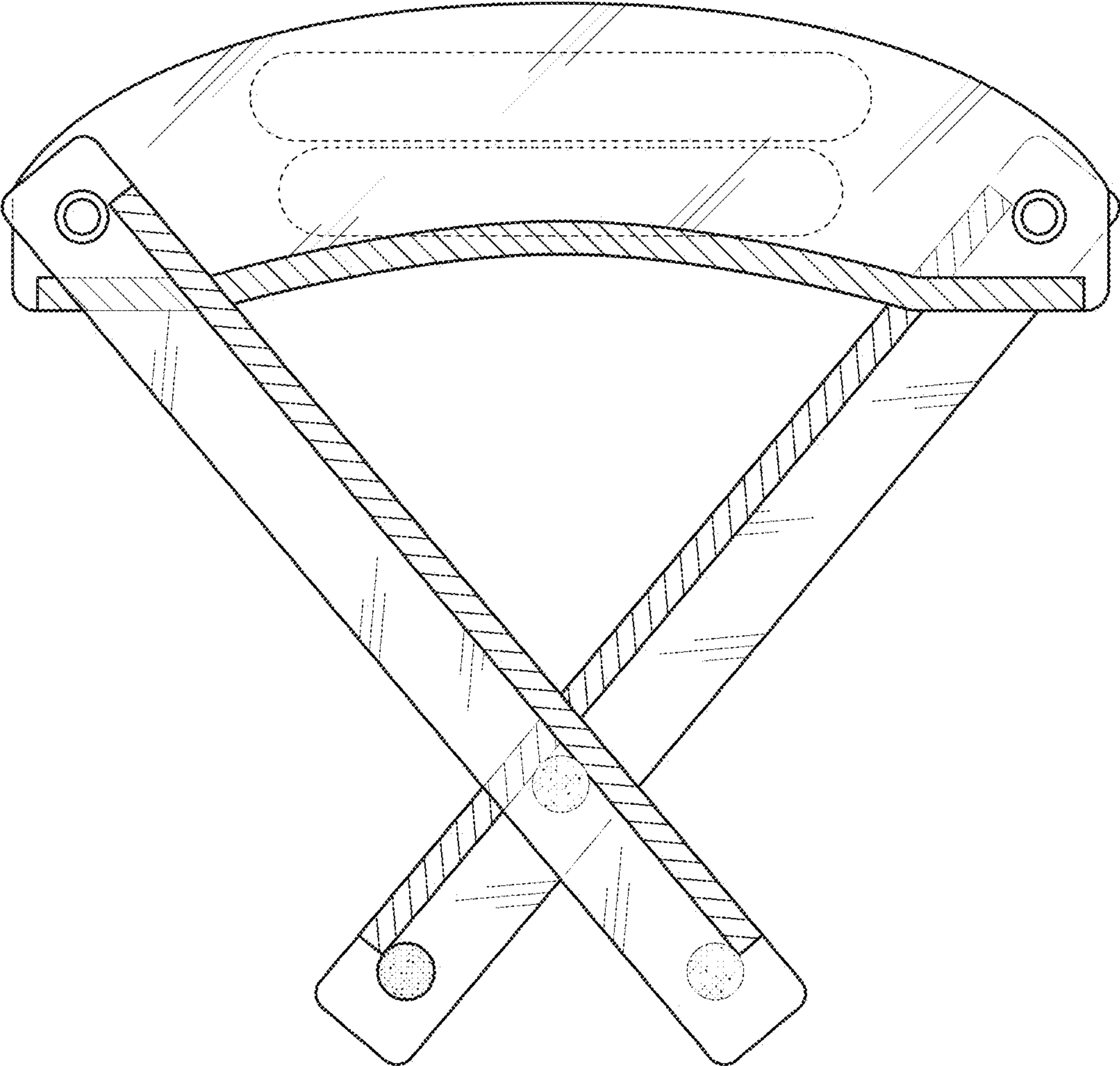


FIG. 7

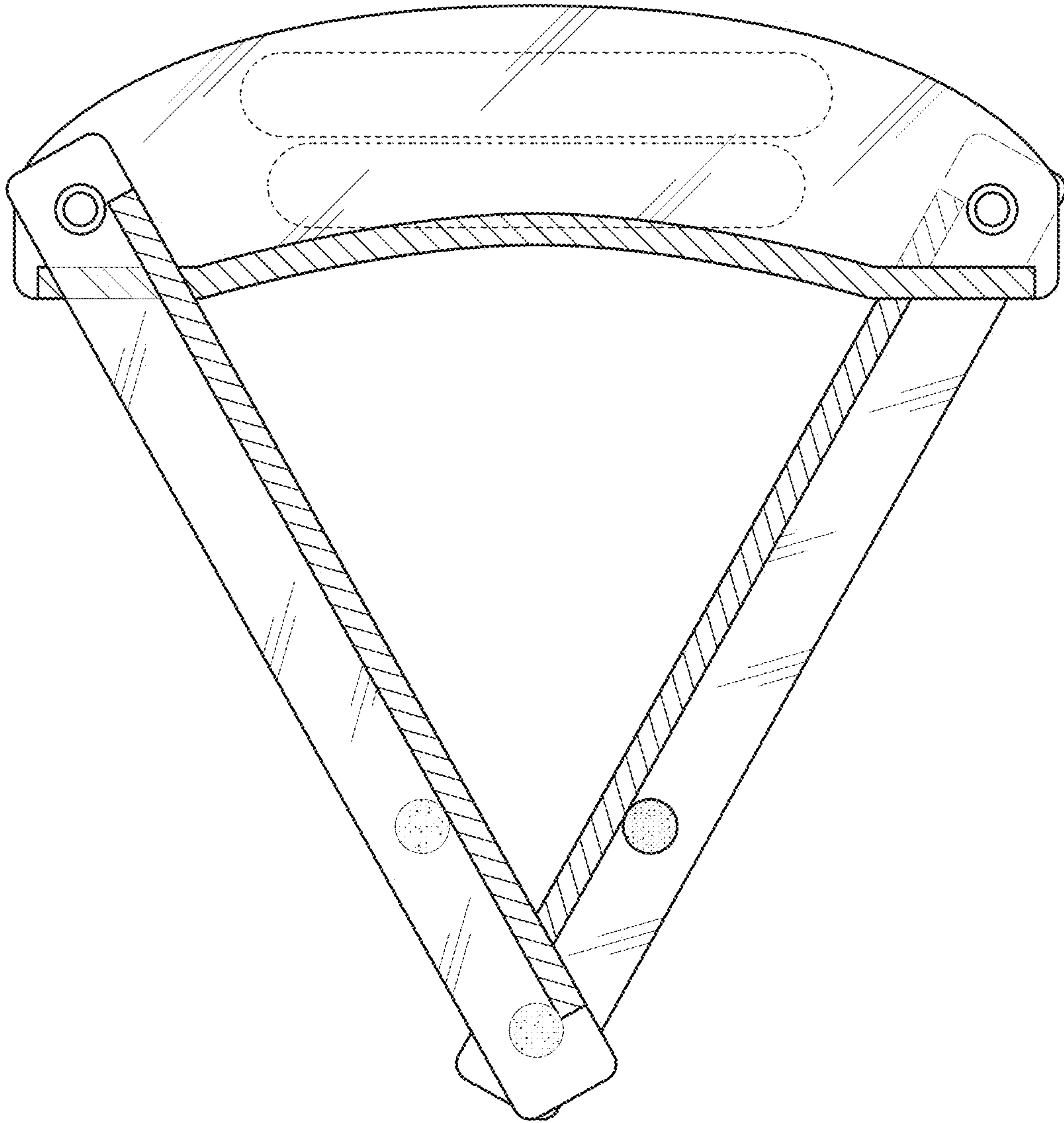


FIG. 8

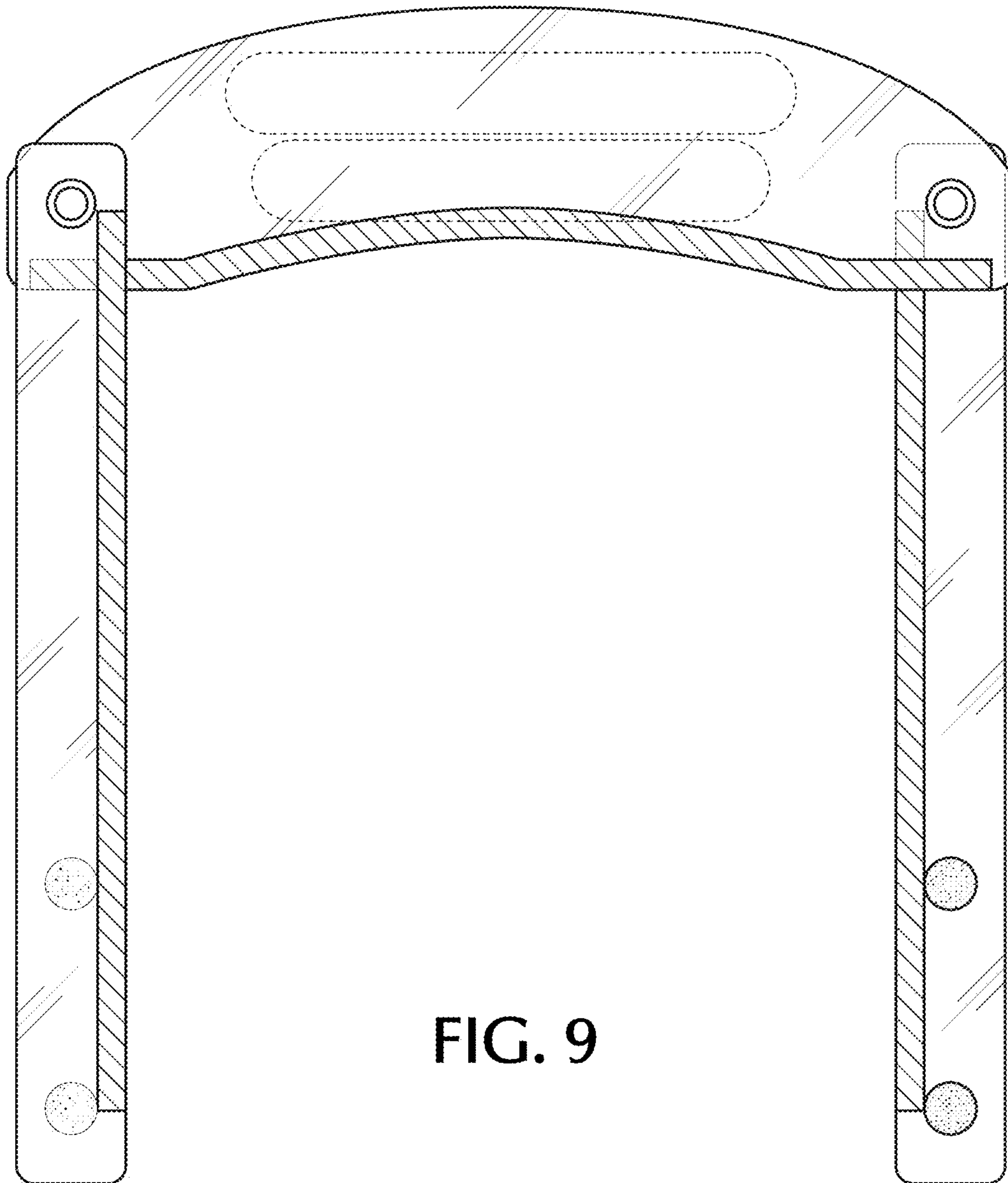


FIG. 9

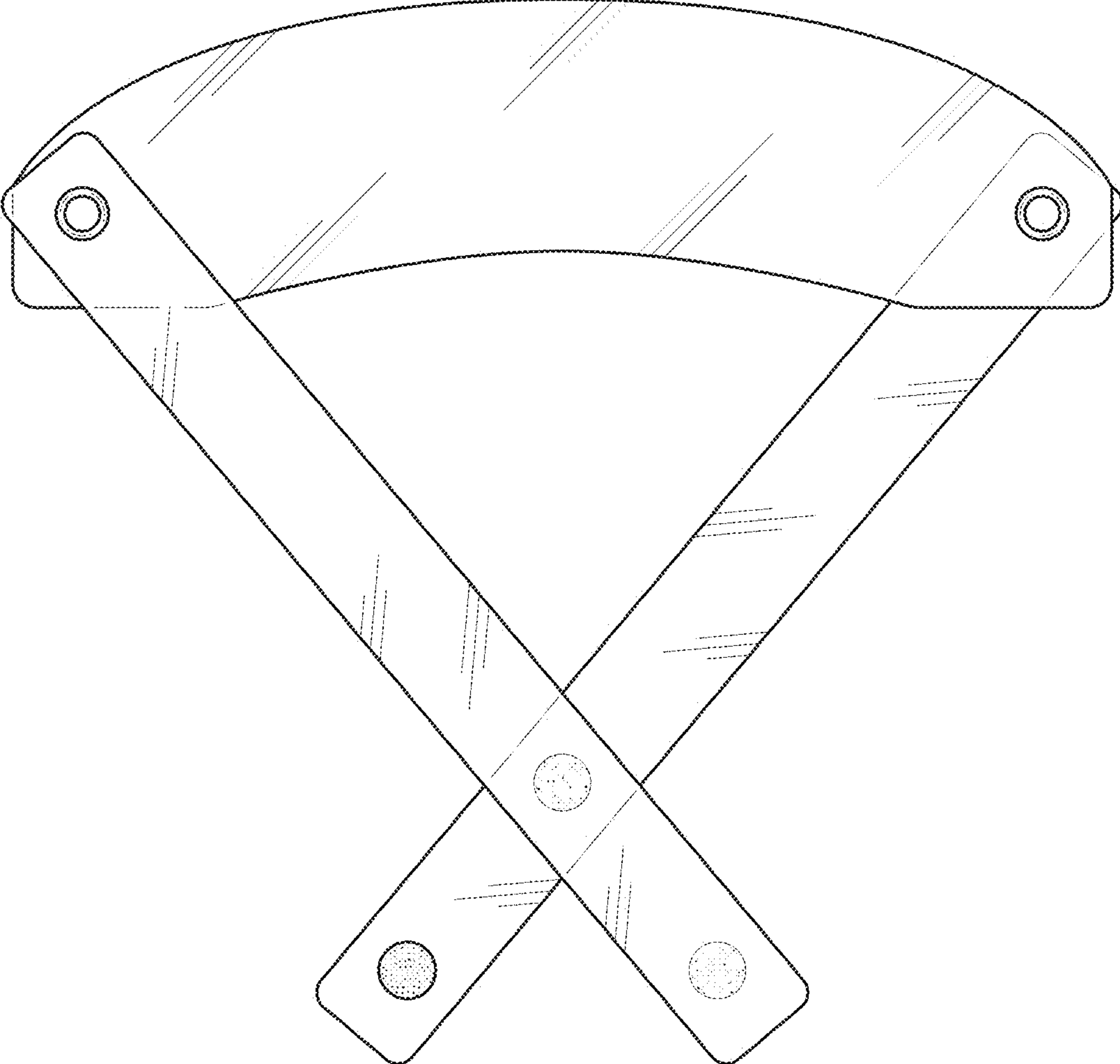


FIG. 10

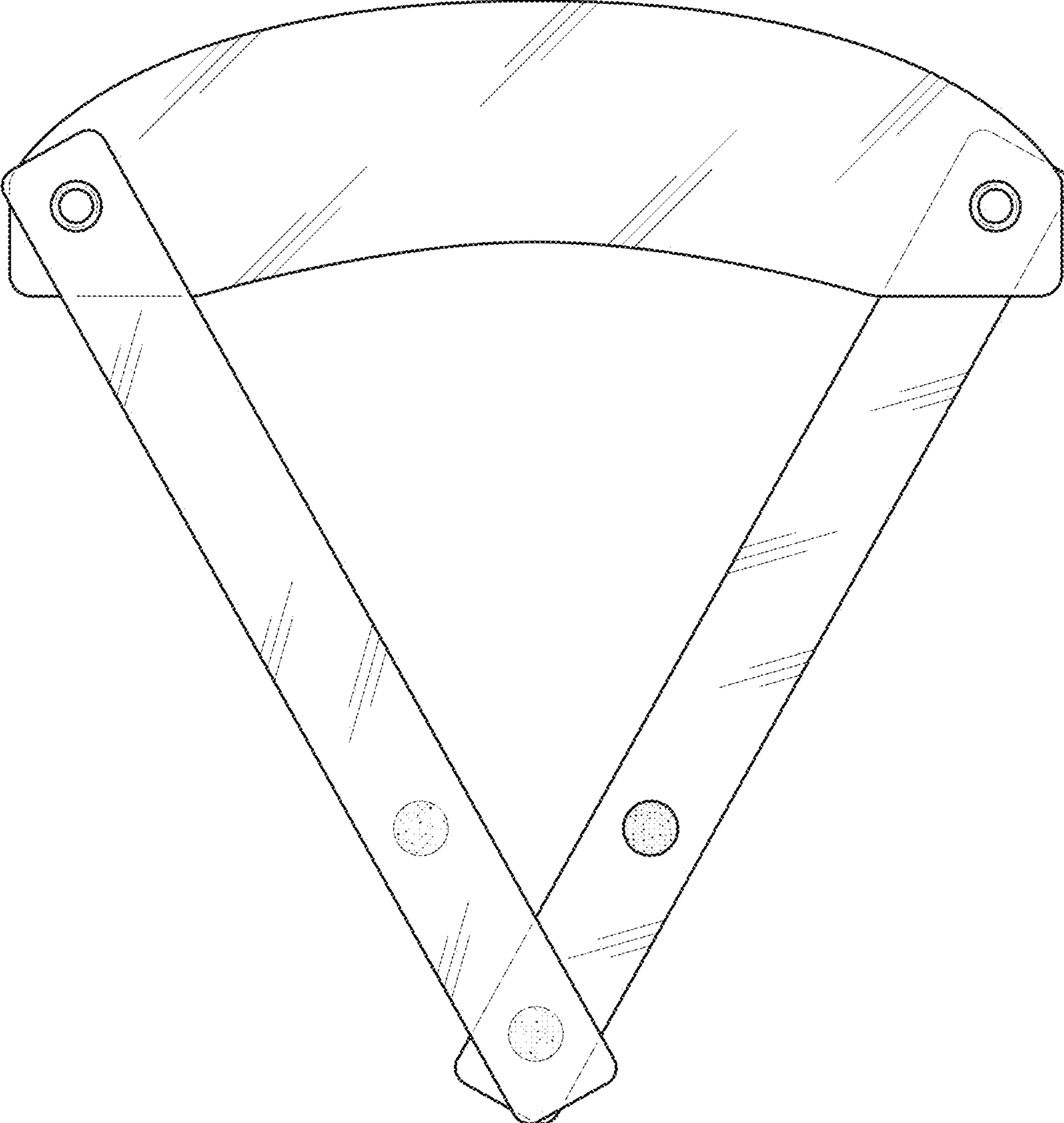


FIG. 11

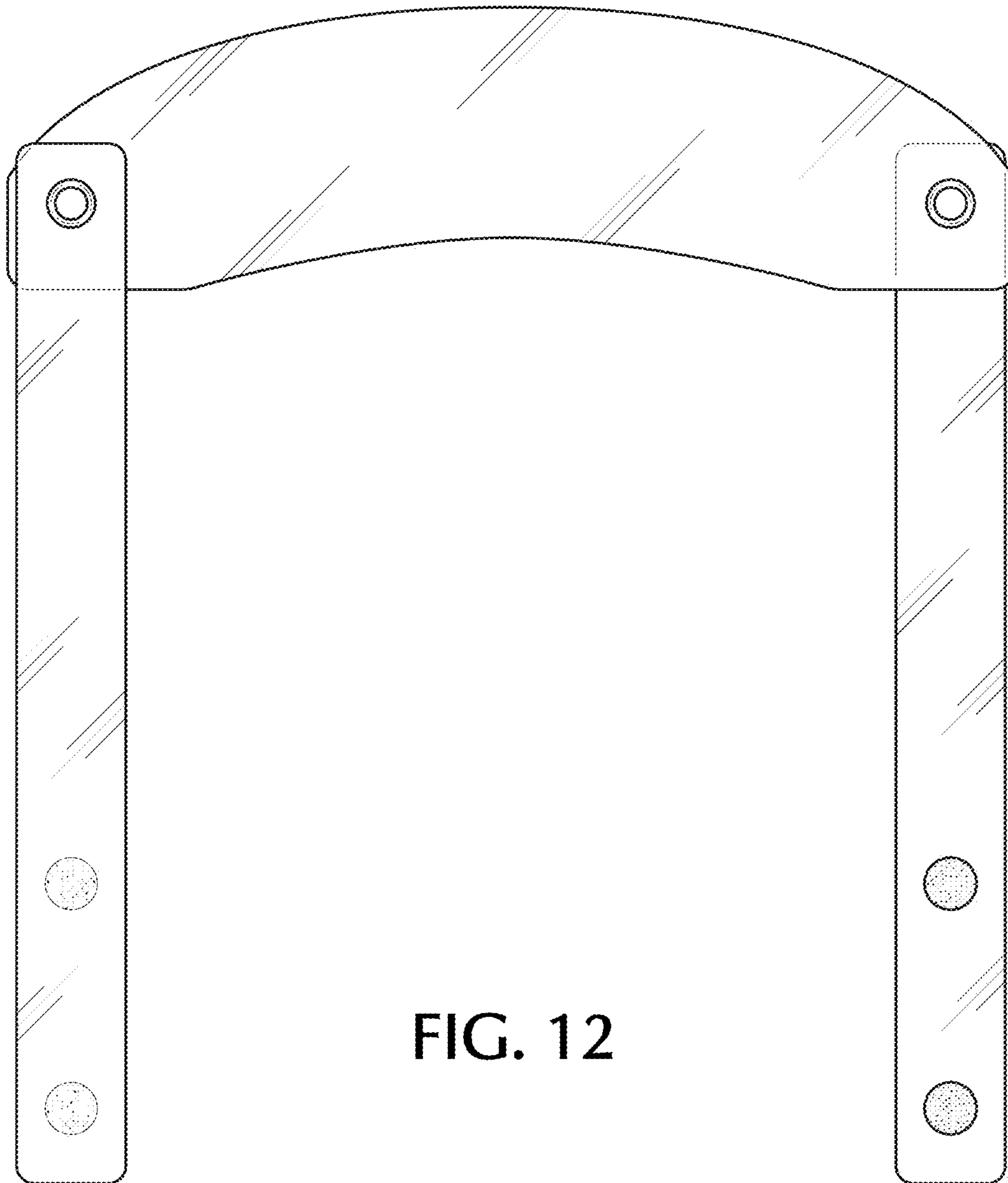


FIG. 12

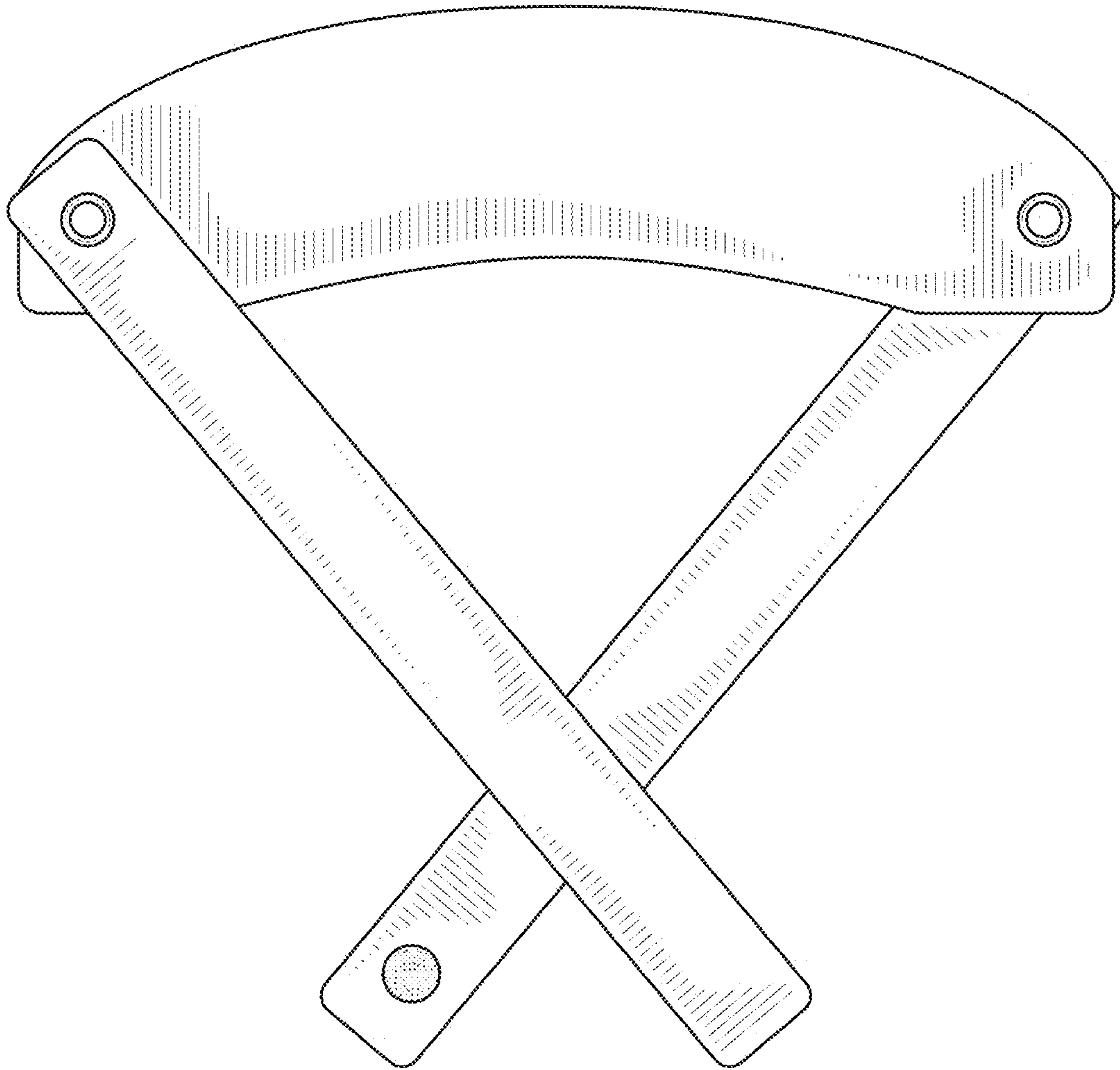


FIG. 13



FIG. 14

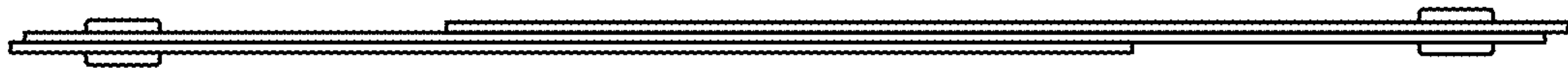


FIG. 15



FIG. 16

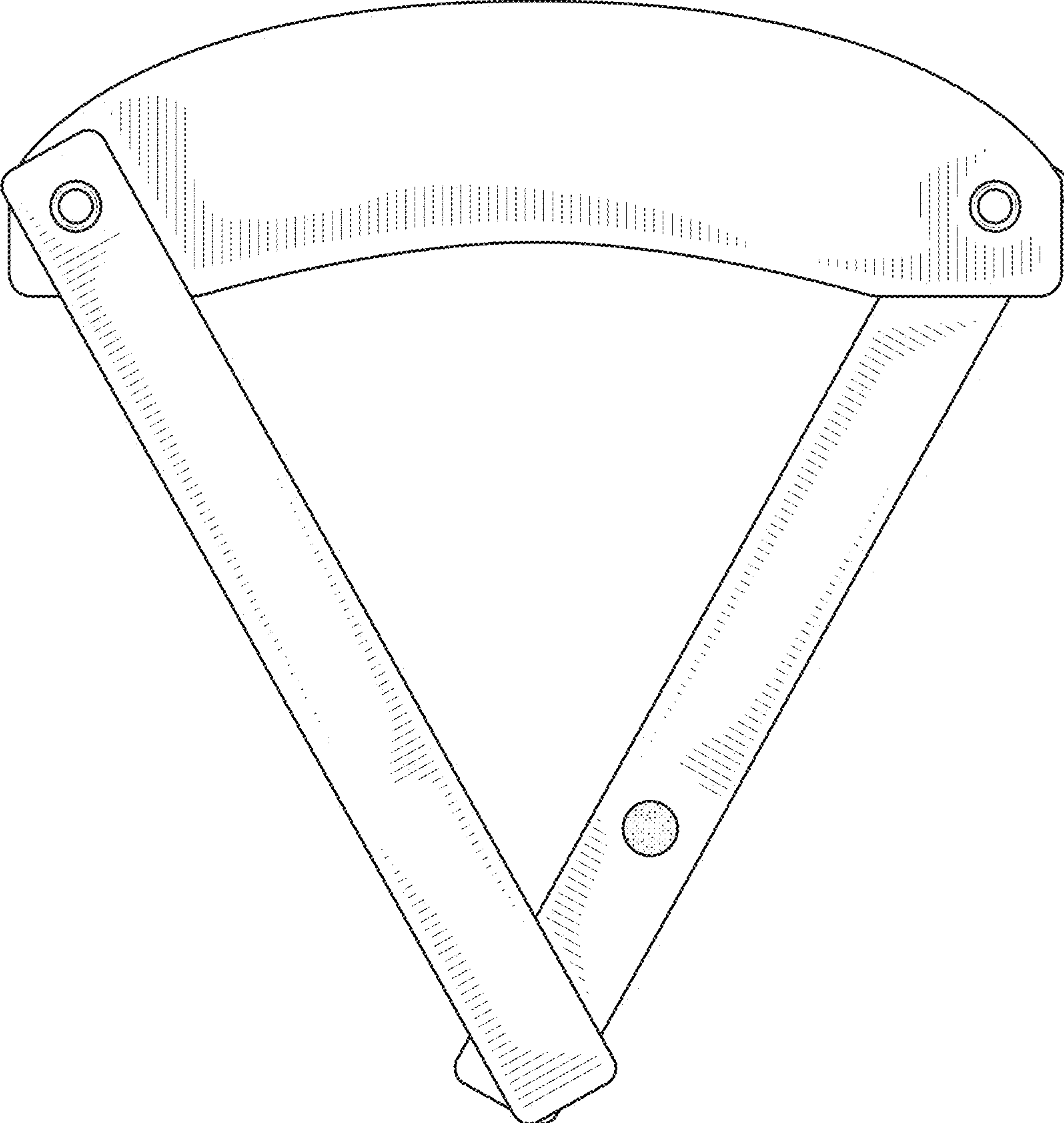


FIG. 17

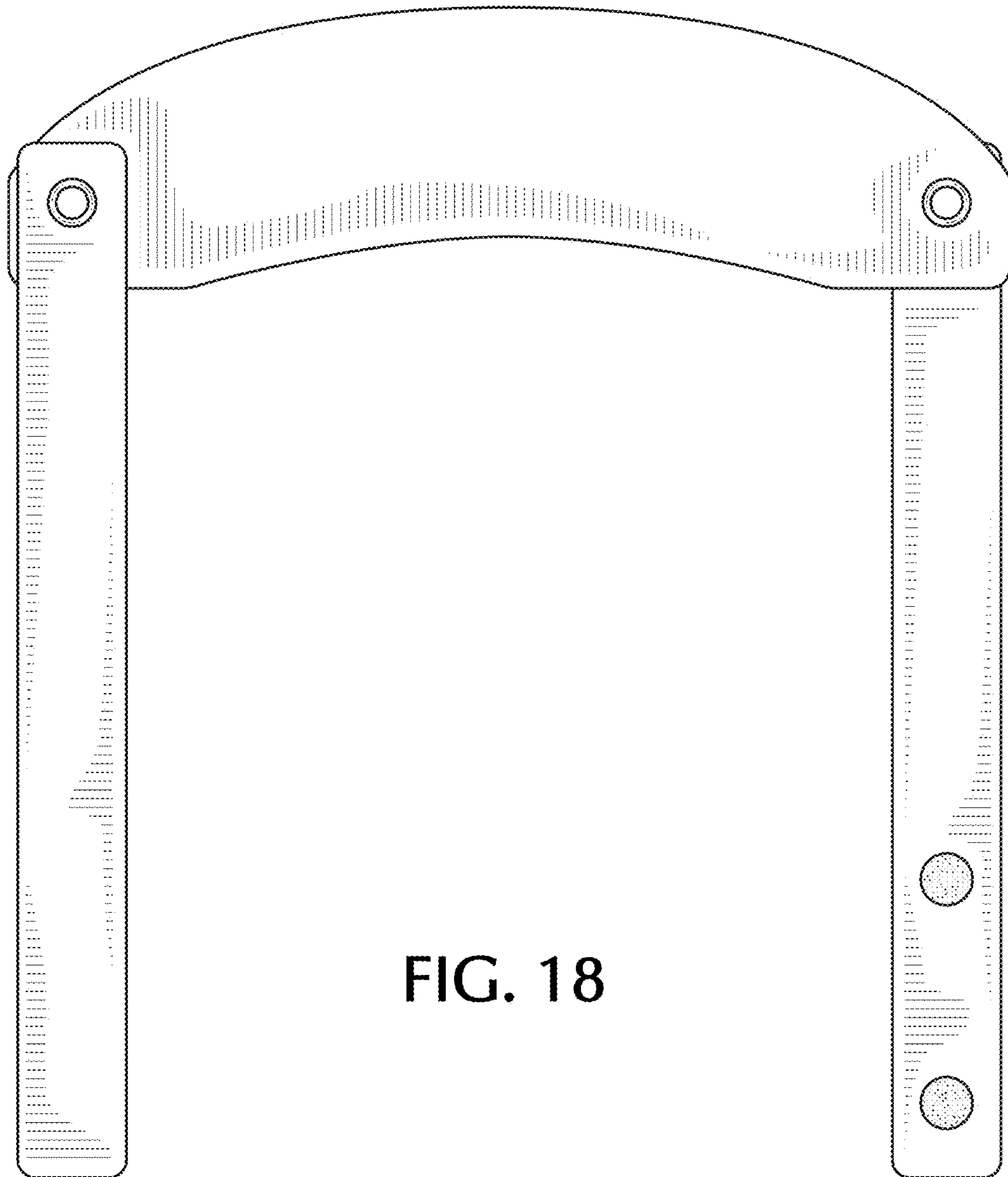


FIG. 18

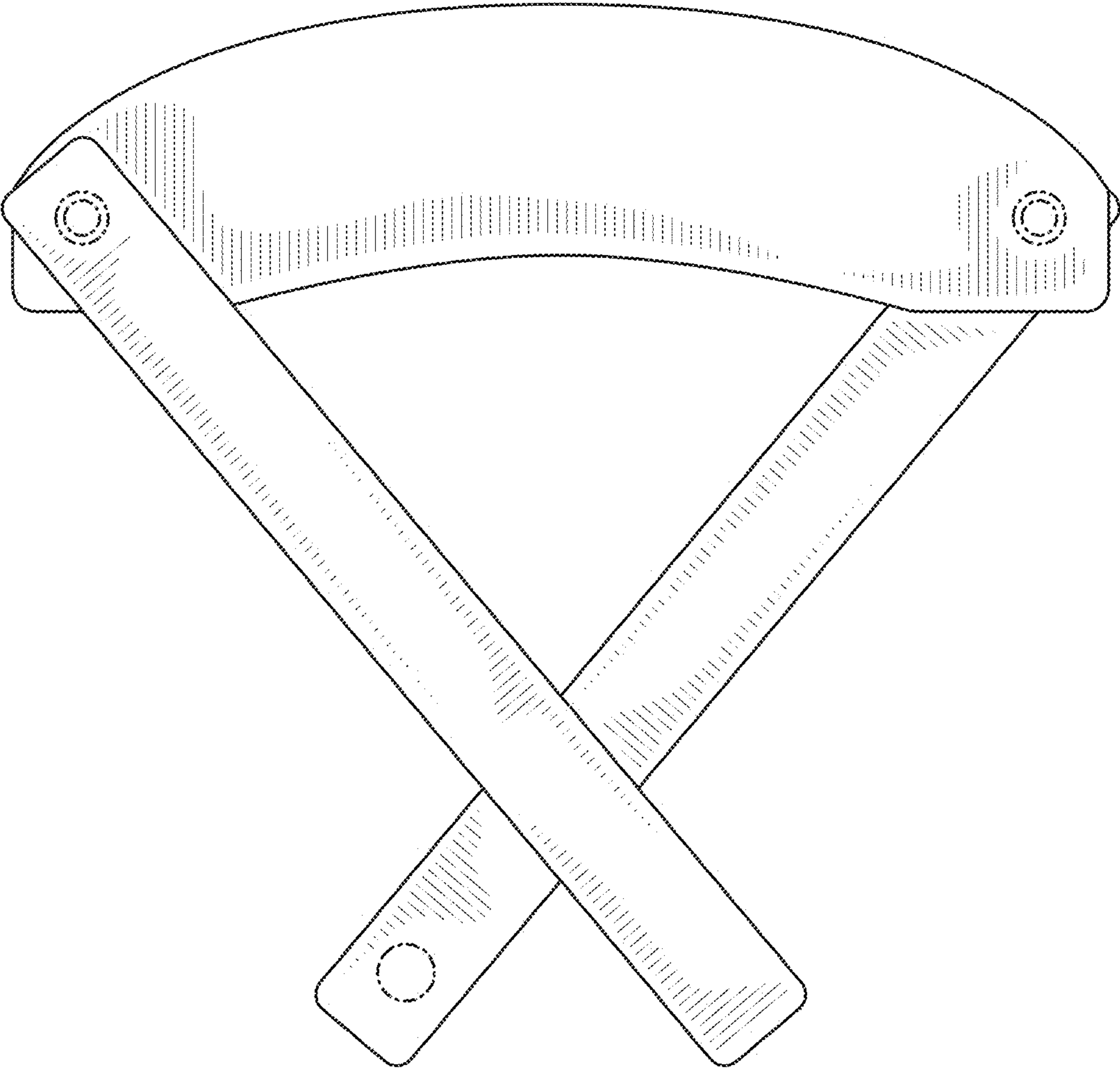


FIG. 19

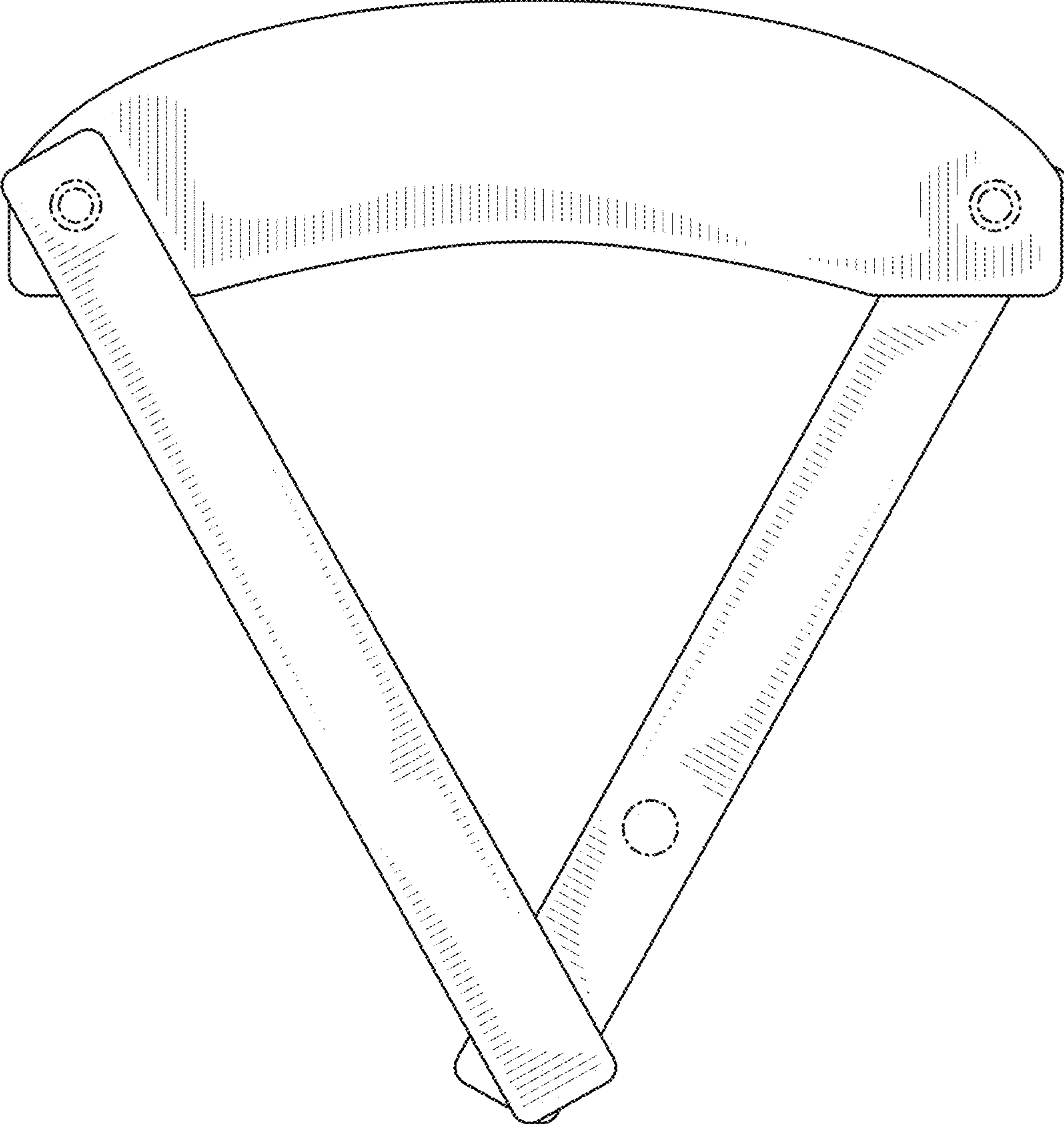


FIG. 20

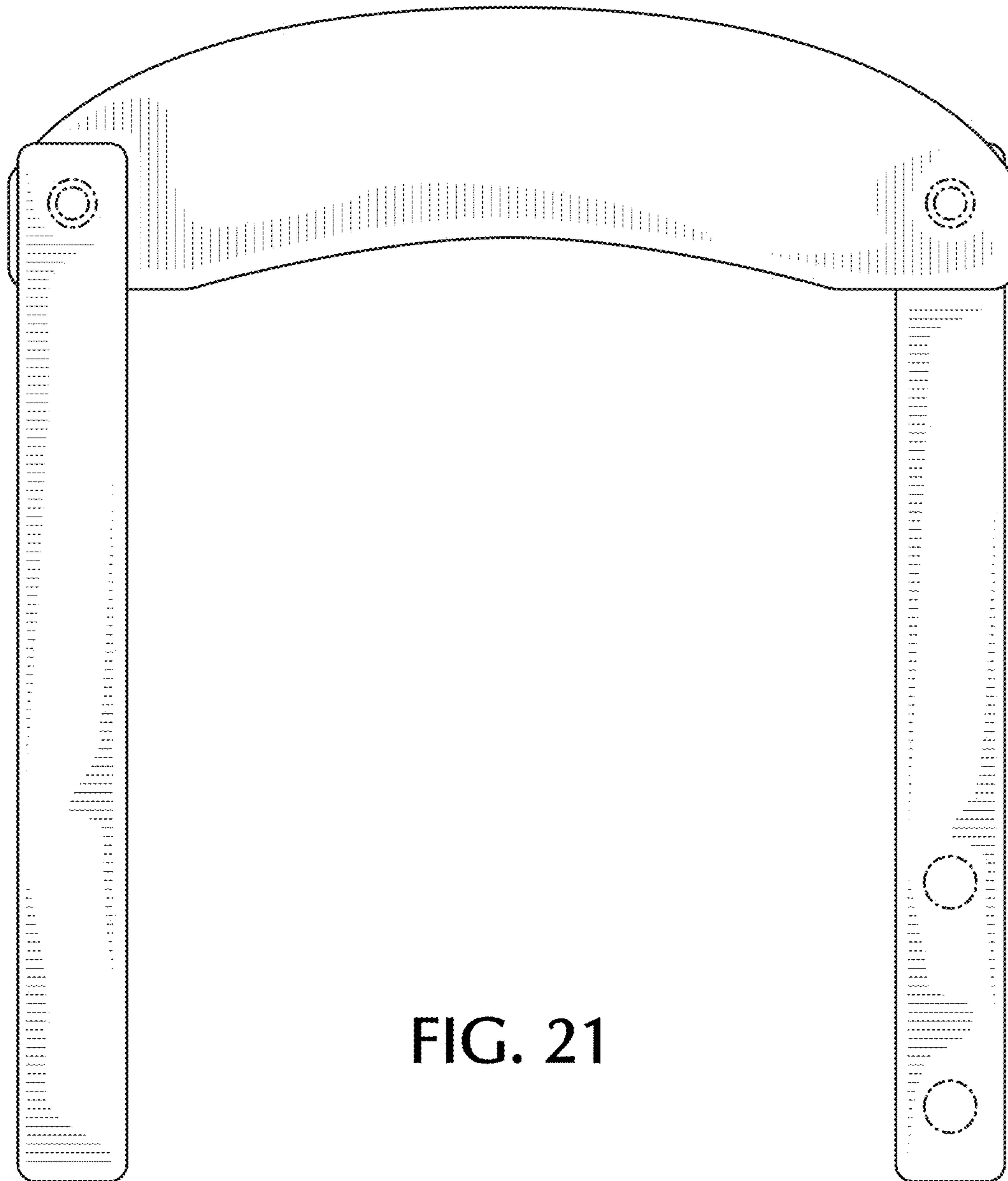


FIG. 21