



US00D963852S

(12) **United States Design Patent**
Rotem et al.

(10) **Patent No.:** **US D963,852 S**

(45) **Date of Patent:** **** Sep. 13, 2022**

(54) **CONTROLLER FOR MEDICAL DEVICE**

(71) Applicant: **Memic Innovative Surgery Ltd., Or Yehuda (IL)**

(72) Inventors: **Idan Rotem, Tel Aviv (IL); Nelly Sokol, Tel Aviv (IL); Philip Mitsel, Lod (IL)**

(**) Term: **15 Years**

(21) Appl. No.: **35/512,083**

(22) Filed: **May 25, 2021**

(80) **Hague Agreement Data**

Int. Filing Date: **May 25, 2021**

Int. Reg. No.: **DM/214819**

Int. Reg. Date: **May 25, 2021**

Int. Reg. Pub. Date: **Jun. 25, 2021**

(51) **LOC (13) Cl.** **24-02**

(52) **U.S. Cl.**
USPC **D24/138; D15/199**

(58) **Field of Classification Search**
USPC D15/199, 145-146; D21/576, 578, 566;
D24/113, 170, 200, 215, 133, 138
CPC A61B 5/0476; A61B 5/165; A61B 5/4836;
A61H 15/0078; B23K 9/133; B23K
9/287; B25J 9/0018; B25J 19/0025
See application file for complete search history.

(56) **References Cited**

U.S. PATENT DOCUMENTS

| | | | |
|--------------|---------|-----------------|---------|
| D508,096 S * | 8/2005 | Koshiishi | D21/578 |
| D692,041 S * | 10/2013 | Selic | D15/199 |
| D802,041 S * | 11/2017 | He | D15/199 |
| D824,977 S * | 8/2018 | Everman | D15/199 |
| D830,439 S * | 10/2018 | Park | D15/199 |
| D837,294 S * | 1/2019 | Ciniello | D15/199 |
| D837,853 S * | 1/2019 | Deng | D15/199 |
| D841,065 S * | 2/2019 | Hontani | D15/199 |
| D841,712 S * | 2/2019 | Hontani | D15/199 |
| D852,862 S * | 7/2019 | Dosho | D15/199 |

| | | | |
|--------------|---------|----------------|---------|
| D852,863 S * | 7/2019 | Dosho | D15/199 |
| D856,390 S * | 8/2019 | Morimoto | D15/199 |
| D858,599 S * | 9/2019 | Anderson | D15/138 |
| D865,828 S * | 11/2019 | Bogart | D15/199 |

(Continued)

OTHER PUBLICATIONS

“Memic Innovative Surgery’s SPAC deal is off” [online]. Chris Newmarker. [Published on Mar. 10, 2022]. Retrieved from the Internet: <<https://www.massdevice.com/memic-innovative-surgerys-spac-deal-is-off/>>.*

Primary Examiner — Mojtaba Tehrani

(57) **CLAIM**

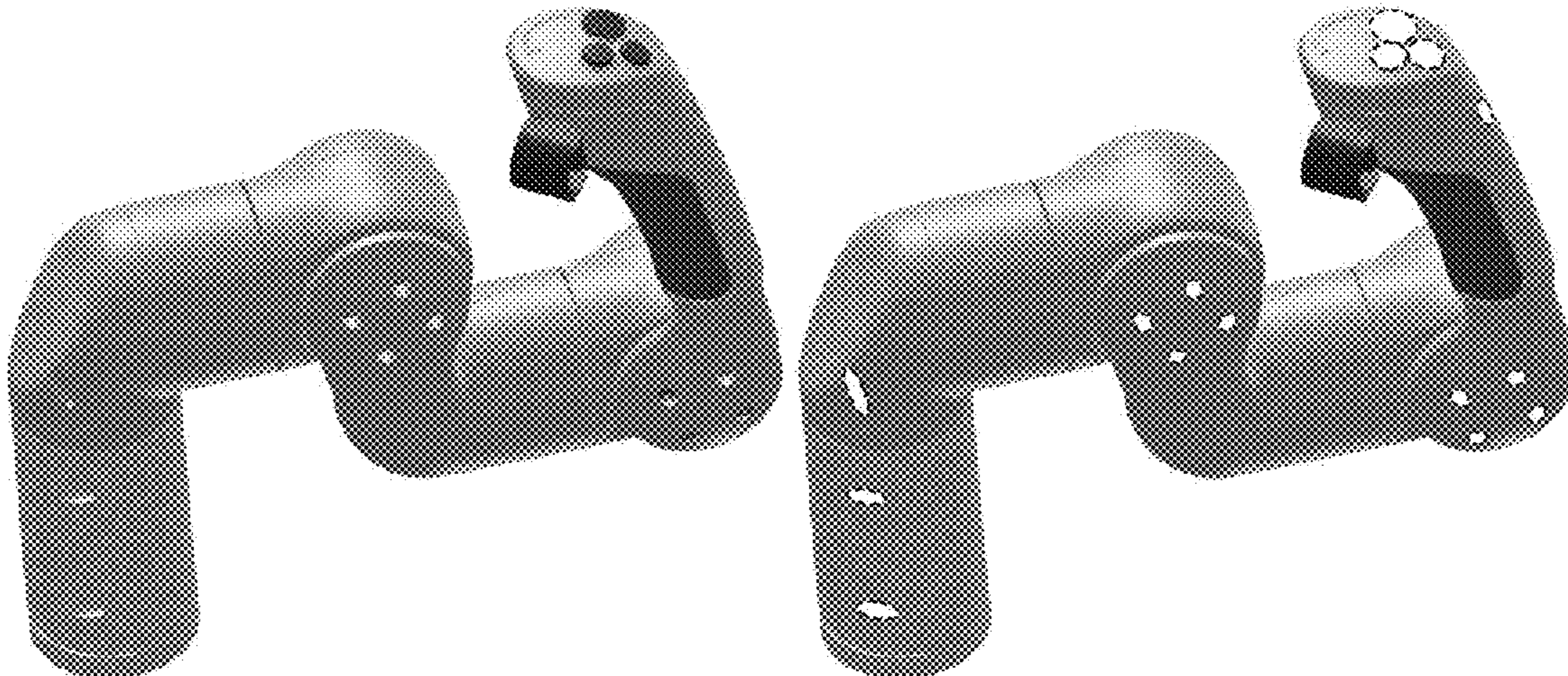
The ornamental design for controller for medical device, as shown and described.

DESCRIPTION

1. Controller for medical device
2. Controller for medical device
 - 1.1 : Isometric [Top, Left side]
 - 1.2 : Top
 - 1.3 : Back
 - 1.4 : Front
 - 1.5 : Right
 - 1.6 : Left
 - 1.7 : Bottom
 - 1.8 : Isometric [Bottom, Right side]
- 2.1 : Isometric [Top, Left side]
- 2.2 : Top
- 2.3 : Back
- 2.4 : Front
- 2.5 : Right
- 2.6 : Left
- 2.7 : Bottom
- 2.8 : Isometric [Bottom, Right side]

Portions shown encompassed in broken lines form no part of the claimed design; the broken lines depict unclaimed portions of the controller only and form no part of the claimed design.

1 Claim, 16 Drawing Sheets



(56)

References Cited

U.S. PATENT DOCUMENTS

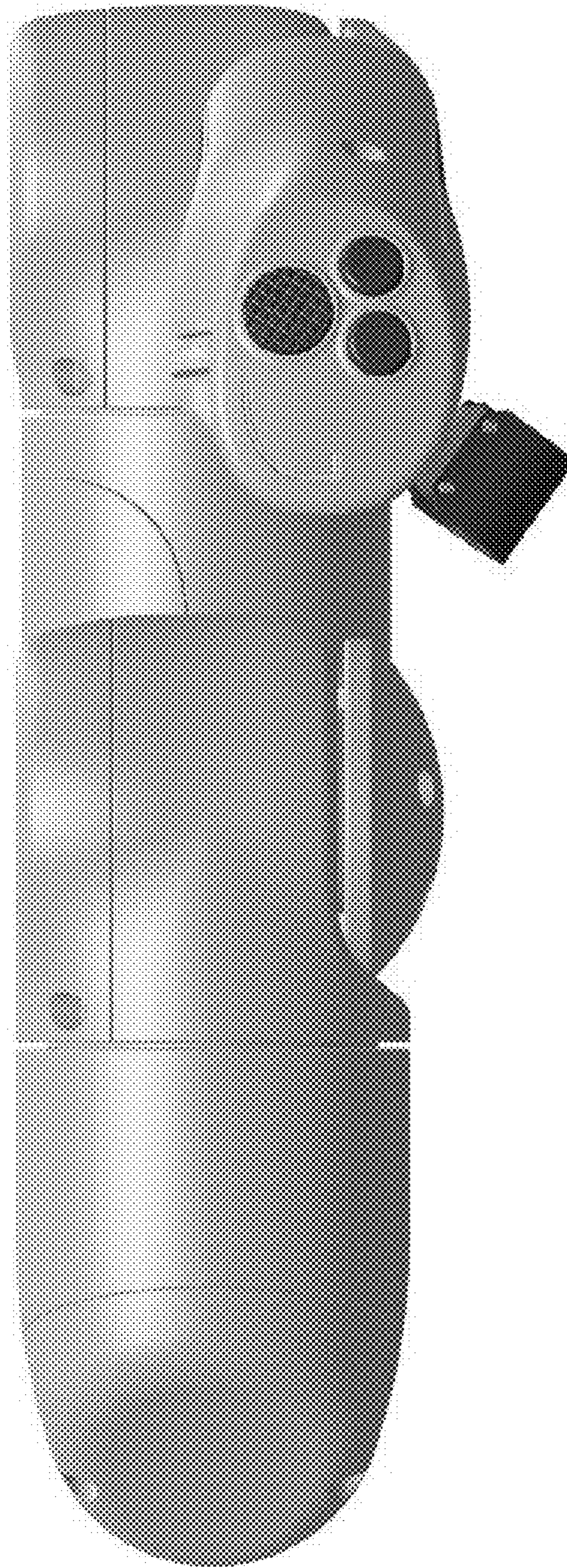
| | | | | |
|--------------|------|---------|--------------------|---------------------------|
| D870,169 | S * | 12/2019 | Dosho | D15/199 |
| D892,889 | S * | 8/2020 | Random | D15/199 |
| D896,860 | S * | 9/2020 | Abe | D15/199 |
| D912,117 | S * | 3/2021 | Berkowitz | D15/199 |
| D915,487 | S * | 4/2021 | Sell | D15/199 |
| D921,733 | S * | 6/2021 | Li | D15/199 |
| D923,679 | S * | 6/2021 | Wappler | D15/199 |
| D928,210 | S * | 8/2021 | Graessle | D15/199 |
| D935,502 | S * | 11/2021 | Yamashiro | D15/199 |
| D947,266 | S * | 3/2022 | Yamashiro | D15/199 |
| D953,399 | S * | 5/2022 | Yamashiro | D15/199 |
| D953,400 | S * | 5/2022 | Yamashiro | D15/199 |
| 2008/0271561 | A1 * | 11/2008 | Ohara | B25J 19/0025 74/490.01 |
| 2013/0079928 | A1 * | 3/2013 | Soe-Knudsen | B25J 9/163 700/254 |
| 2013/0125696 | A1 * | 5/2013 | Long | B25J 9/104 901/26 |
| 2016/0331482 | A1 * | 11/2016 | Hares | B25J 9/1689 |
| 2021/0283789 | A1 * | 9/2021 | Polimeni, Jr. | B25J 15/0616 |

* cited by examiner

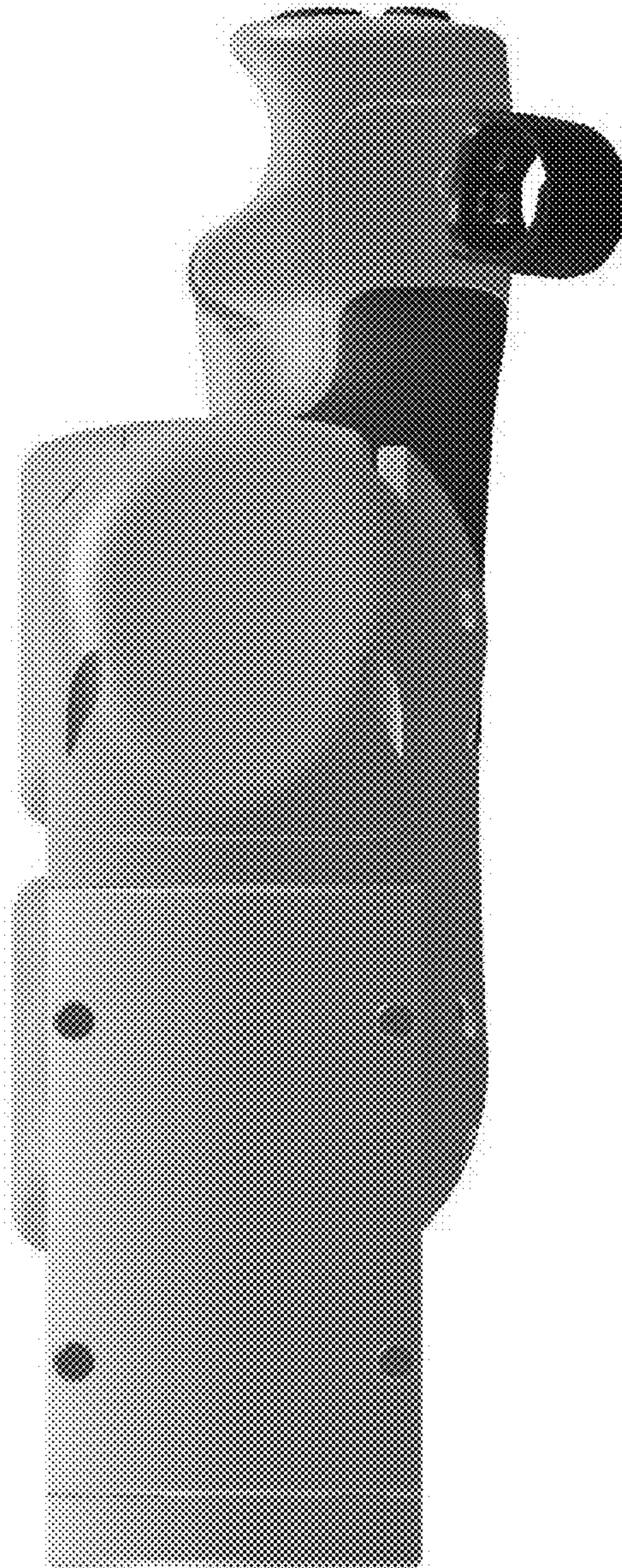
1.1



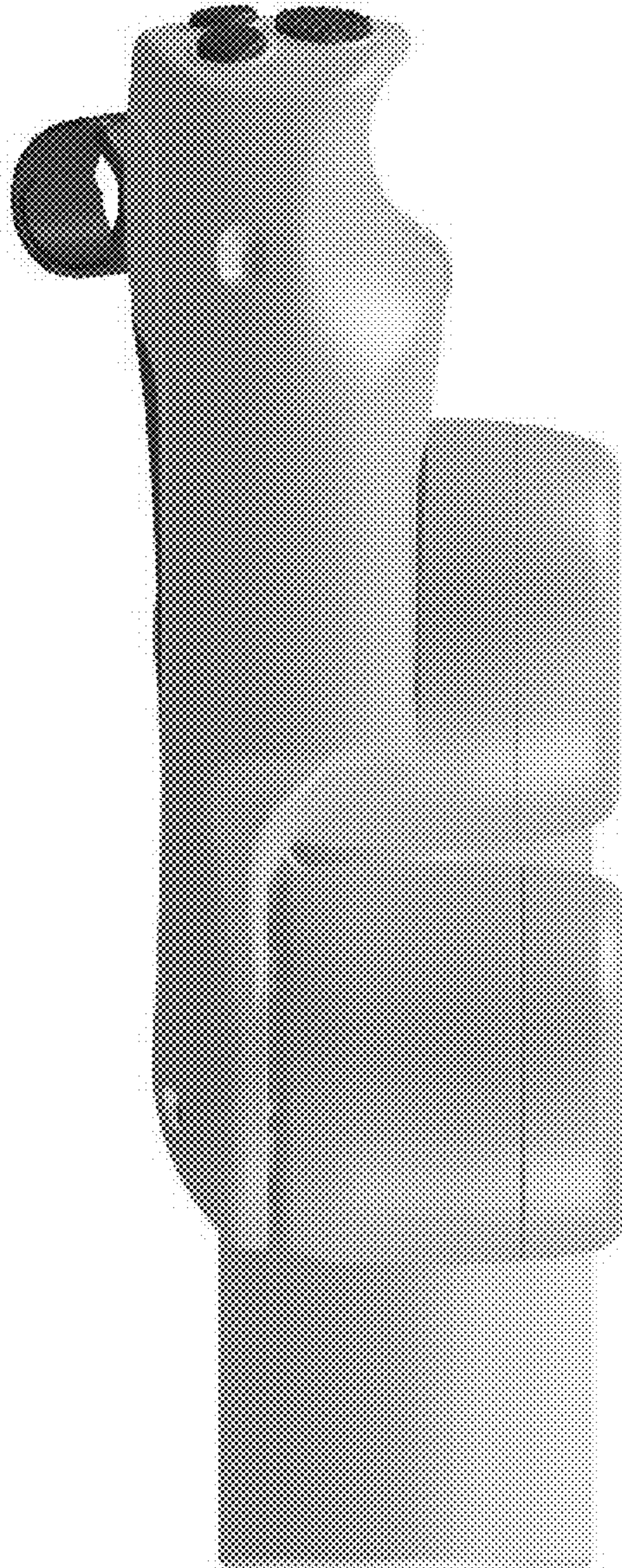
1.2



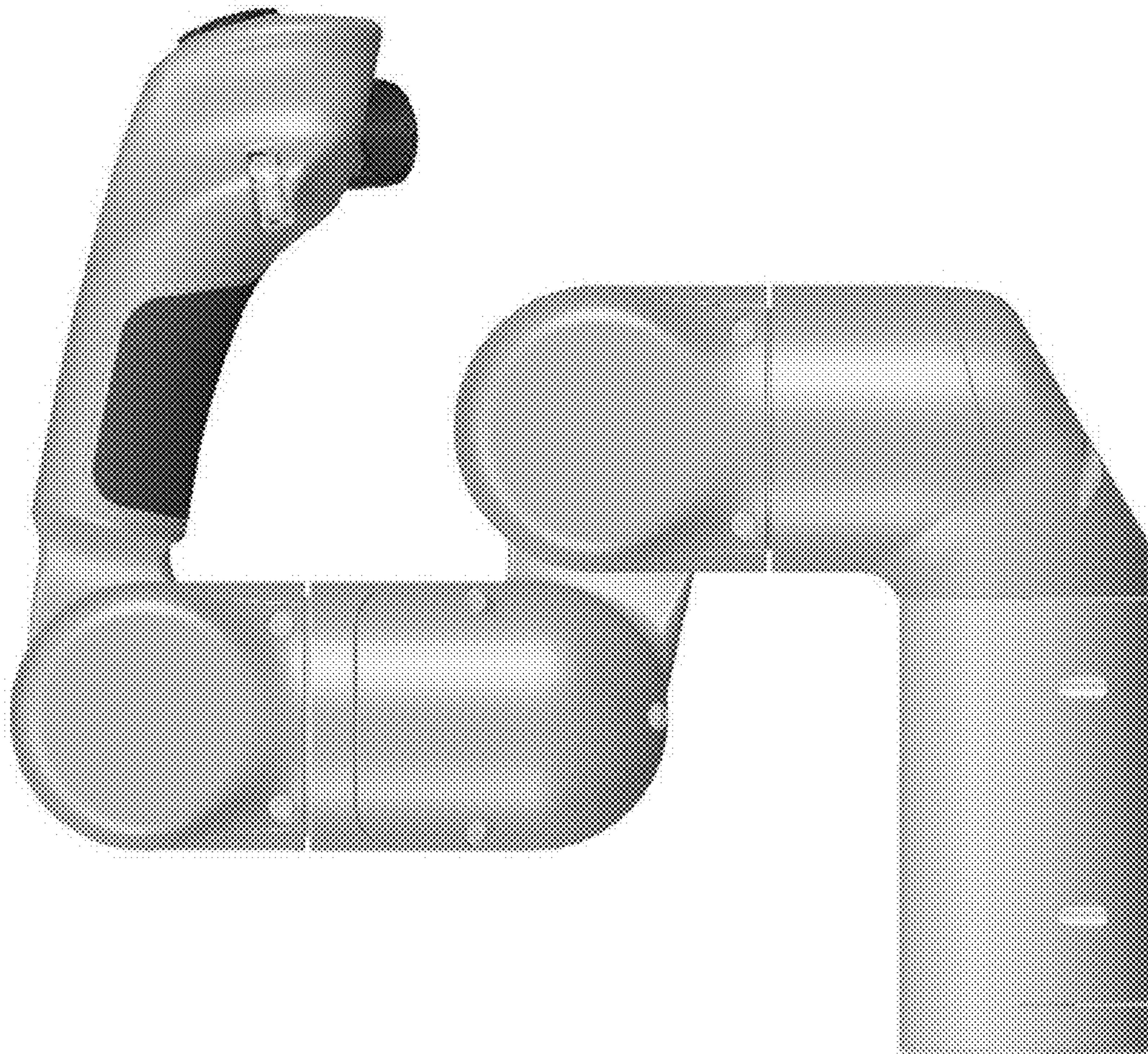
1.3



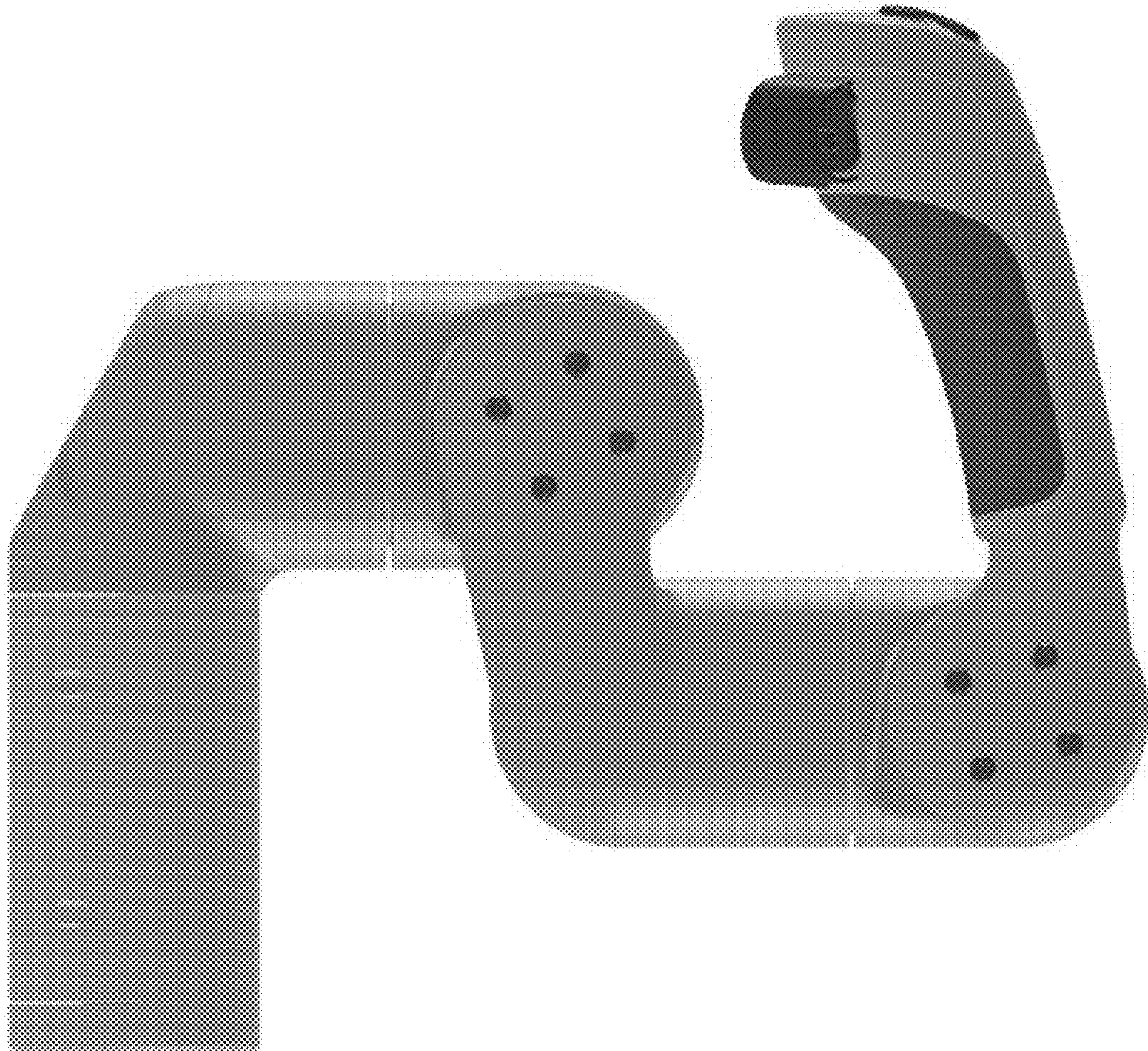
1.4



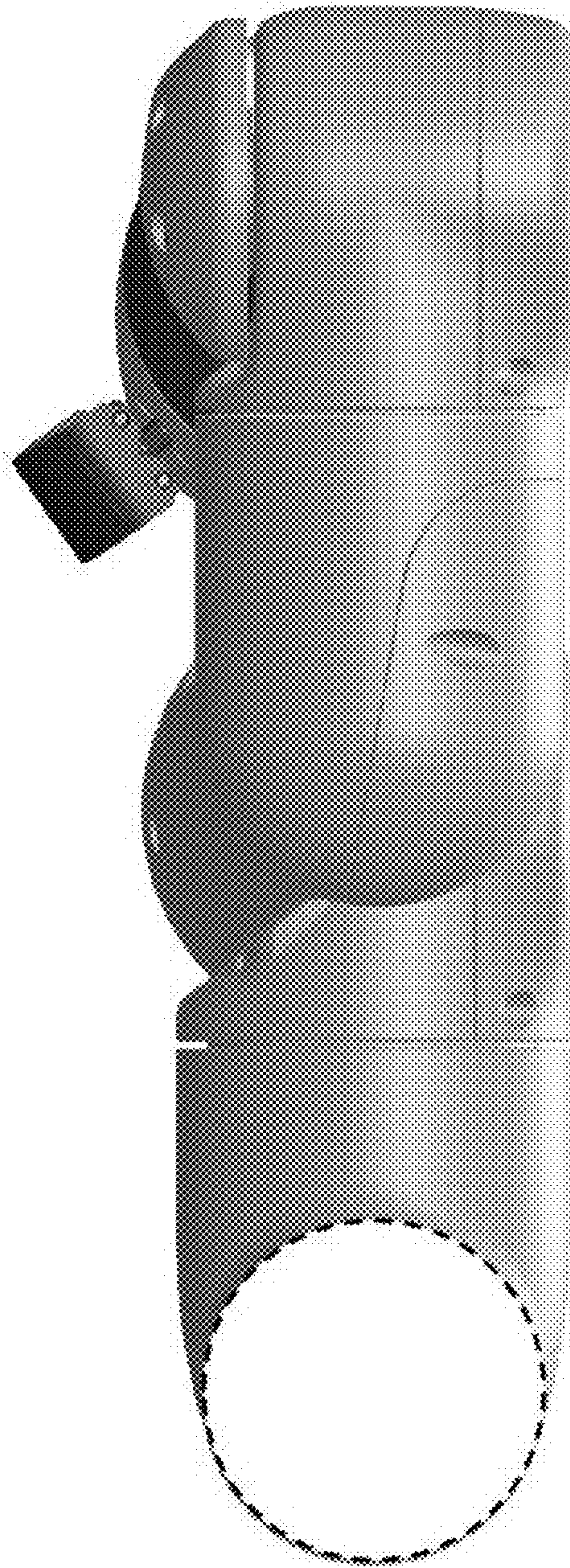
1.5



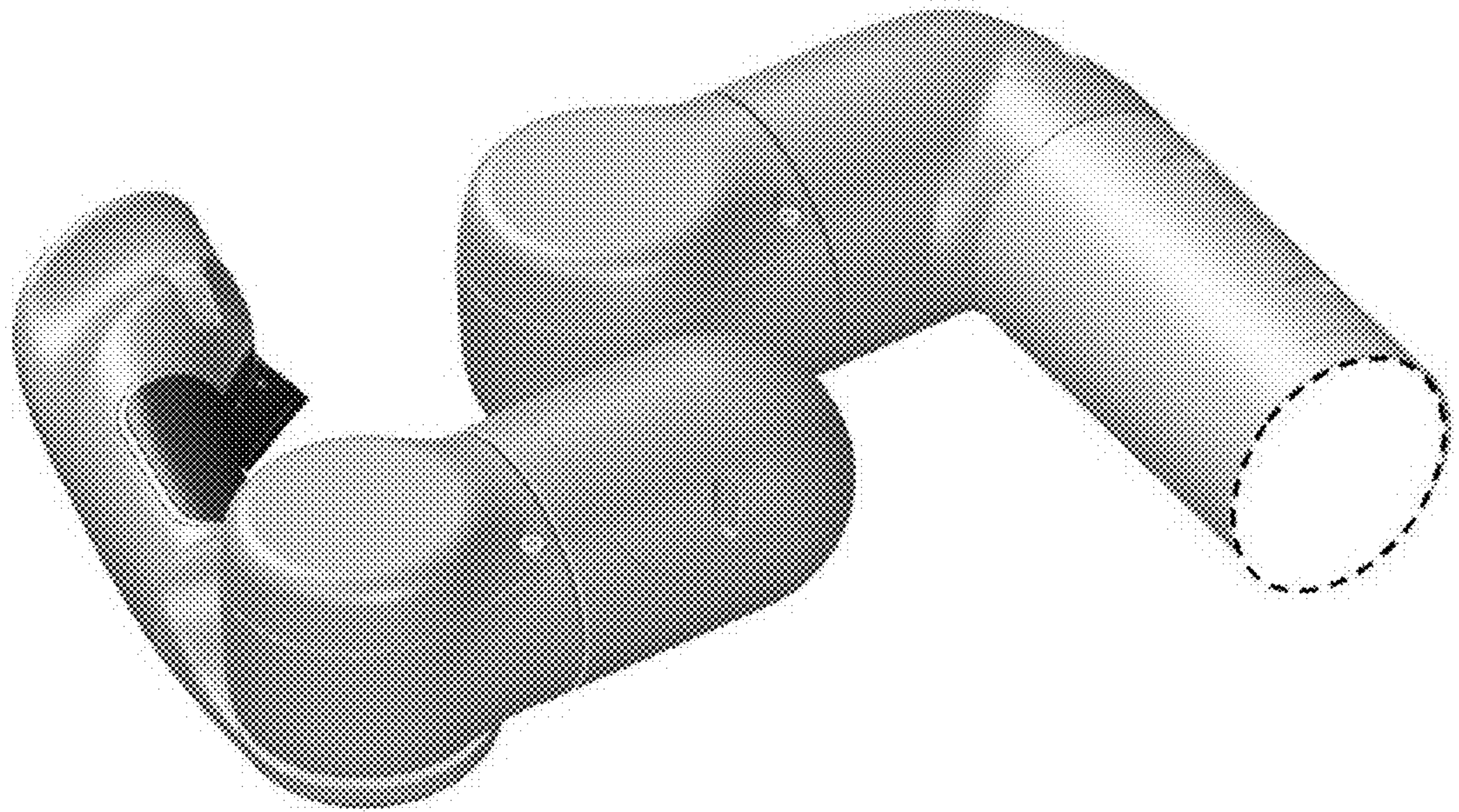
1.6



1.7



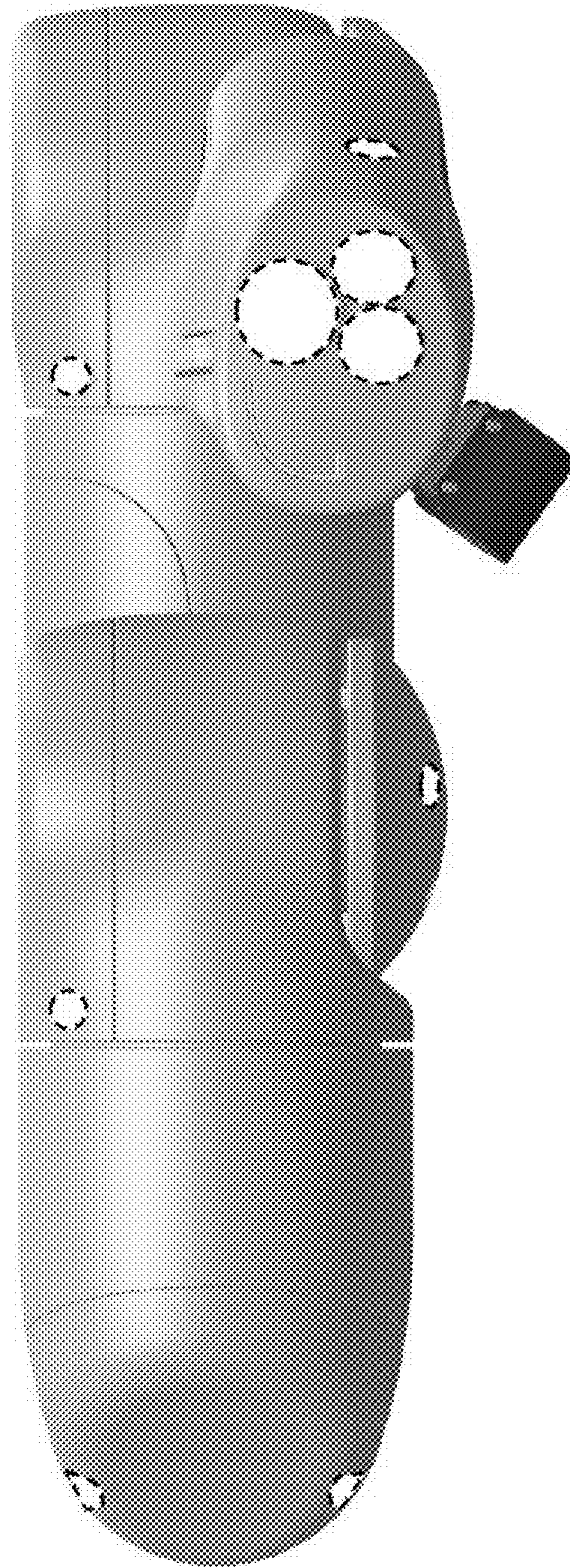
1.8



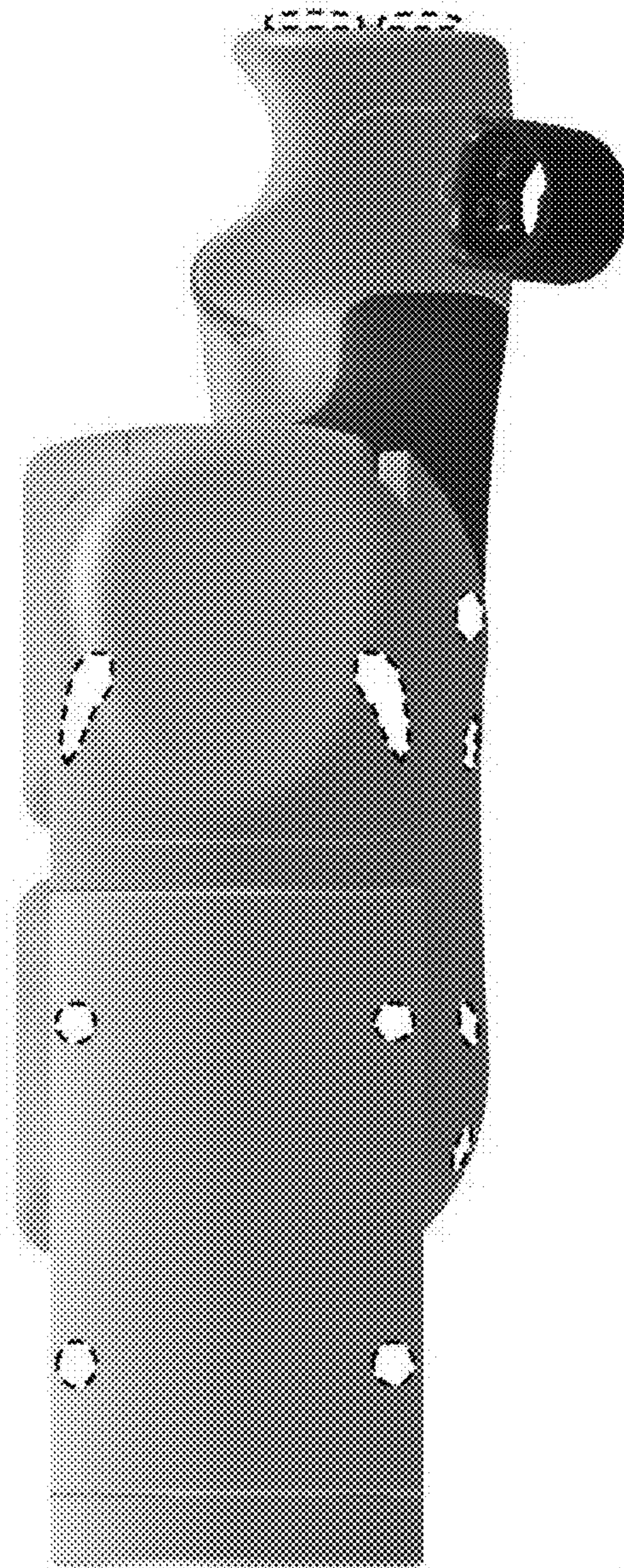
2.1



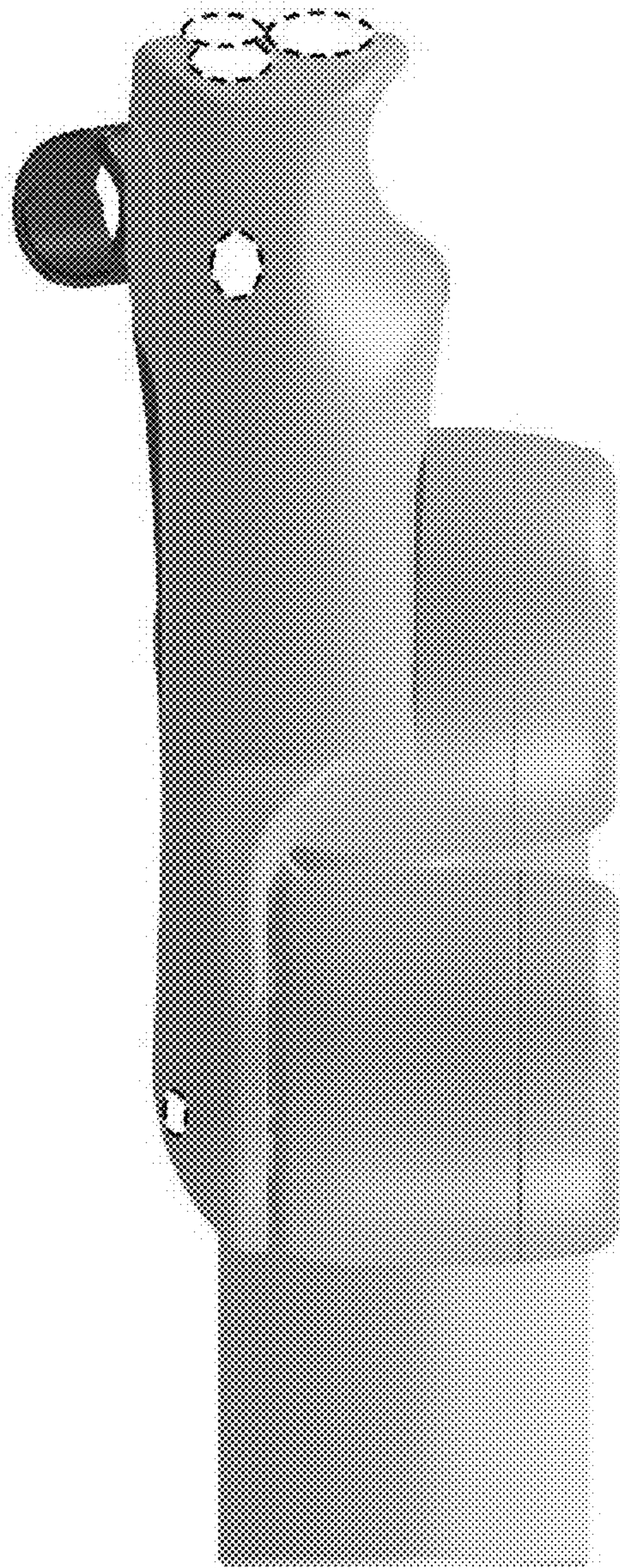
2.2



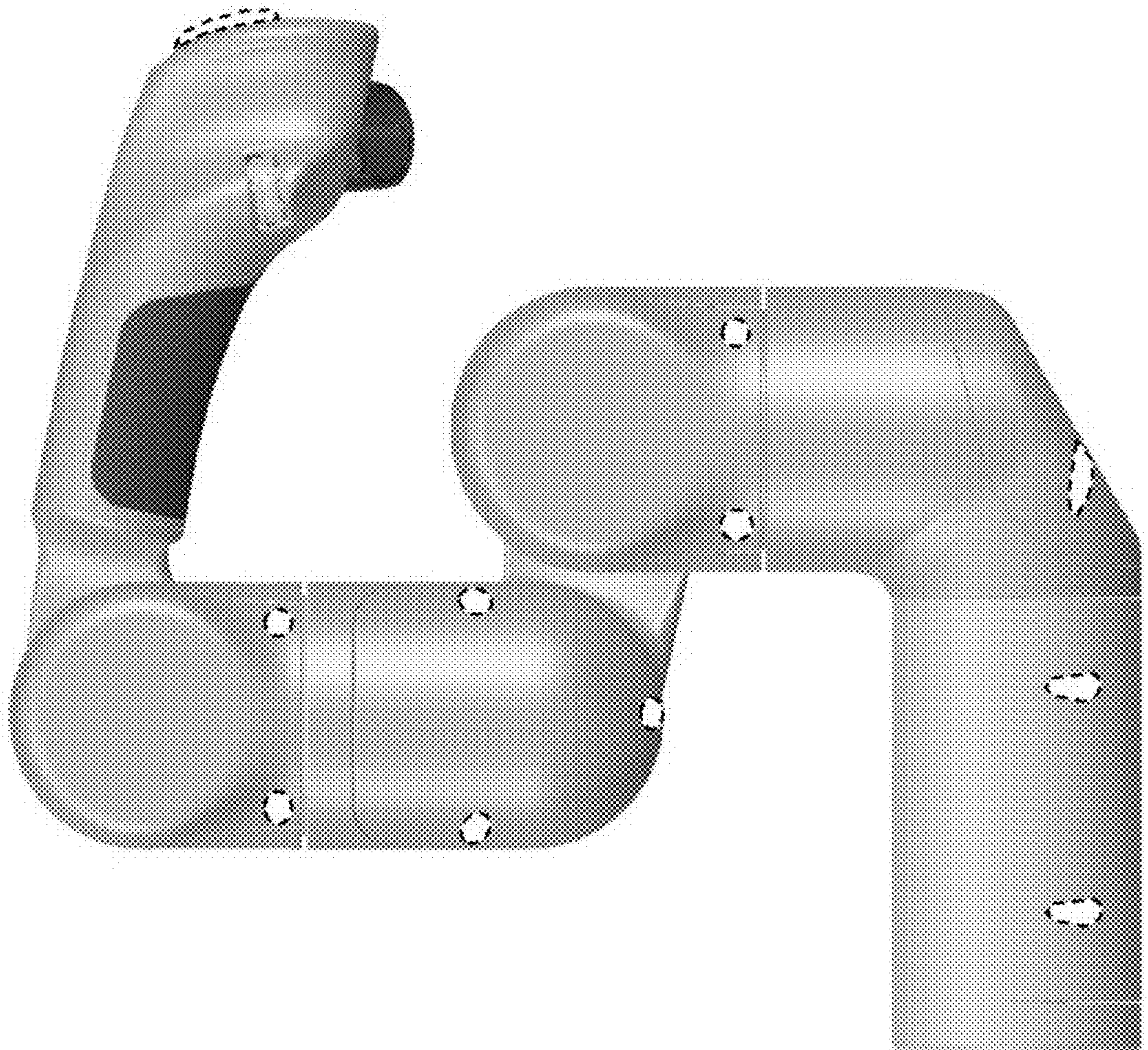
2.3



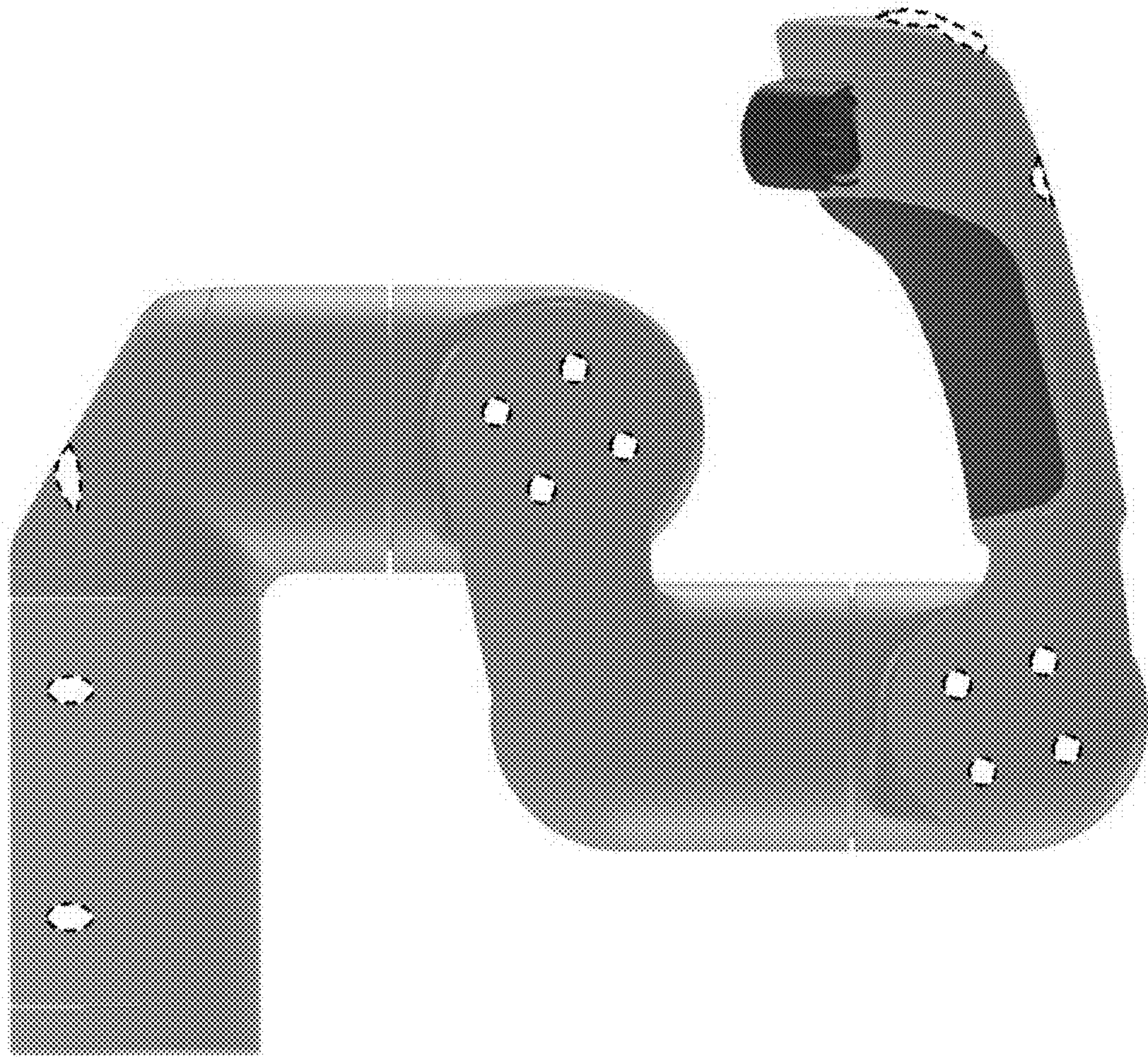
2.4



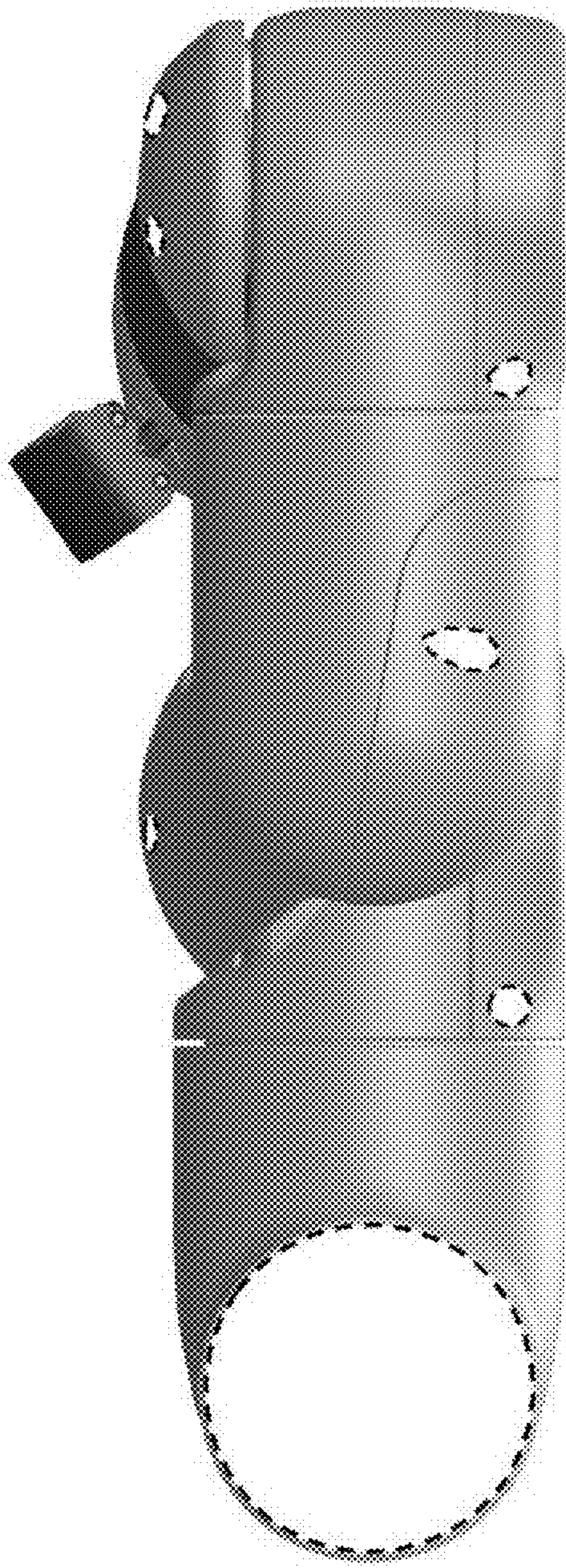
2.5



2.6



2.7



2.8

