



US00D963849S

(12) **United States Design Patent** (10) **Patent No.:** **US D963,849 S**
Moriarty (45) **Date of Patent:** **** Sep. 13, 2022**

(54) **TUBE SECURING DEVICE COMPRESSIBLE TUBE RETAINER**

D841,804 S * 2/2019 Sommer D24/128
D859,649 S * 9/2019 Cohen D24/128
D868,248 S * 11/2019 Snyder D24/135

(Continued)

(71) Applicant: **Tubetamer, LLC**, Valley Center, CA (US)

FOREIGN PATENT DOCUMENTS

(72) Inventor: **Douglas Alan Moriarty**, Valley Center, CA (US)

WO D215487-001 * 7/2021

(73) Assignee: **TUBETAMER, LLC**, Valley Center, CA (US)

OTHER PUBLICATIONS

(**) Term: **15 Years**

Laerdal Thomas ET Tube Holder, Laerdal Thomas, Galls.com, [Post date unknown], [Site seen Jun. 14, 2022], Seen at URL: <https://www.galls.com/laerdal-thomas-et-tube-holder?PMOPV1=ADLT&PMSRCE=GAPLA&gclid=EAIaIqobChMlwr2jqlOh-AIVCZXICh05uQiZEAQYB%E2%80%A6> (Year: 2022).*

(21) Appl. No.: **29/770,117**

(Continued)

(22) Filed: **Feb. 9, 2021**

Related U.S. Application Data

Primary Examiner — Natasha Vujcic
Assistant Examiner — Gilbert B Ford

(63) Continuation of application No. 17/152,408, filed on Jan. 19, 2021.

(74) *Attorney, Agent, or Firm* — Charles F. Reidelbach, Jr.

(51) **LOC (13) Cl.** **24-02**

(52) **U.S. Cl.**
USPC **D24/128**

(57) **CLAIM**

(58) **Field of Classification Search**
USPC D24/135, 143; D29/101.3, 101.5;
D21/662; D8/72, 73, 394
CPC . A61M 39/28; A61M 39/00; Y10T 24/44906;
Y10T 24/3918

I claim, the ornamental design for a tube securing device compressible tube retainer, as shown and described.

See application file for complete search history.

DESCRIPTION

(56) **References Cited**

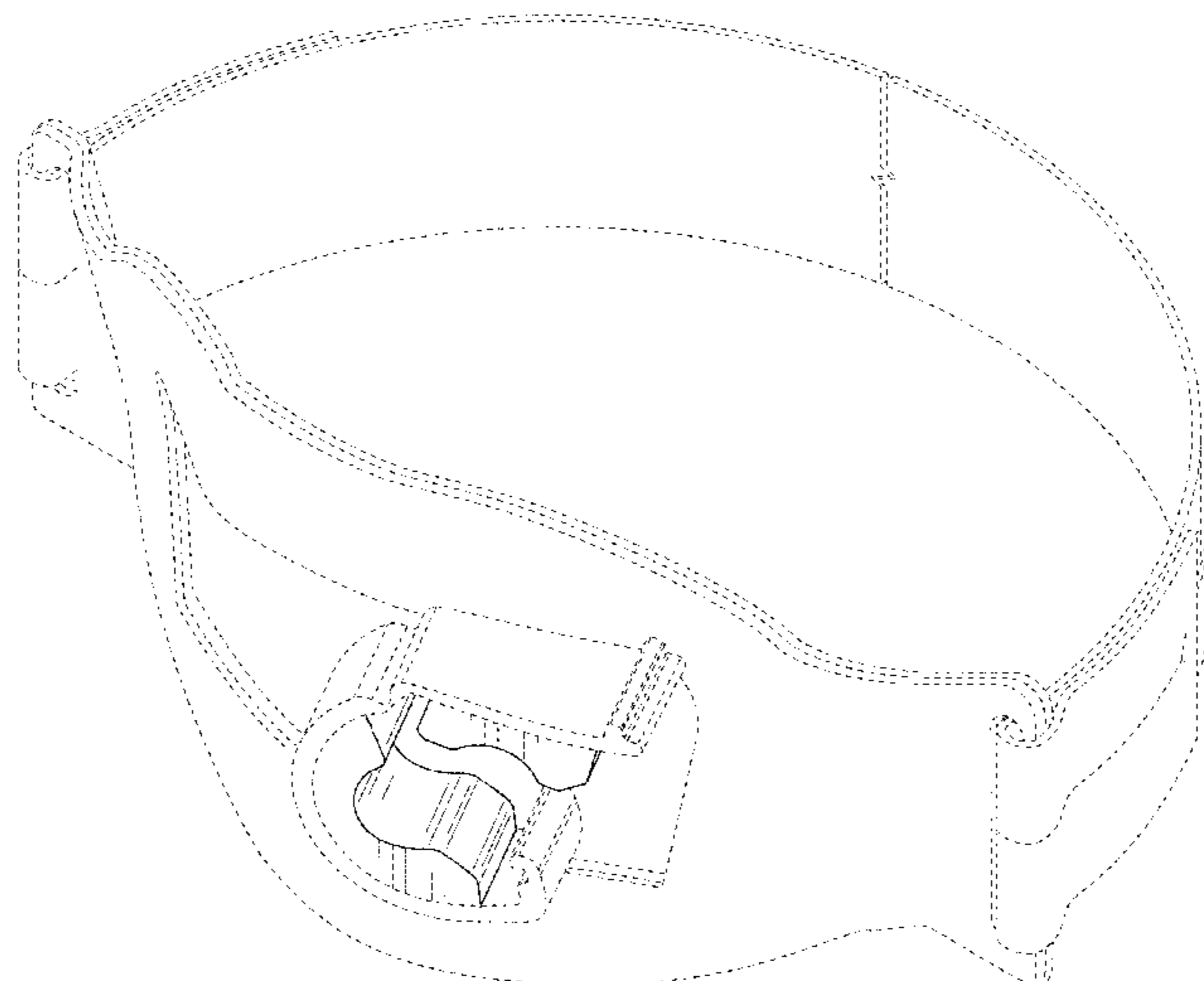
FIG. 1 is a front, top, and right side perspective view of a tube securing device compressible tube retainer showing our new design;
FIG. 2 is a front elevation view thereof;
FIG. 3 is a rear elevation view thereof;
FIG. 4 is a front and right side perspective view thereof;
FIG. 5 is a front and left side perspective view thereof;
FIG. 6 is a top plan view thereof; and,
FIG. 7 is a bottom plan view thereof.

U.S. PATENT DOCUMENTS

D273,762 S * 5/1984 Sakaguchi D8/394
D298,216 S * 10/1988 Eisenberg D24/129
D447,564 S * 9/2001 Stewart, Jr. D8/395
D507,481 S * 7/2005 Blake D8/394
D629,512 S * 12/2010 Bierman D24/128
8,074,650 B2 * 12/2011 Steeves A61M 25/02
128/207.14
D684,697 S * 6/2013 Green D24/169
D734,451 S * 7/2015 Guney D24/127
D834,719 S * 11/2018 Theriot D24/200

The broken lines in the drawings illustrate portions of the tube securing device compressible tube retainer and form no part of the claimed design.

1 Claim, 6 Drawing Sheets



(56)

References Cited

U.S. PATENT DOCUMENTS

10,512,768 B2 * 12/2019 Tsukamoto A61M 39/284
D884,885 S * 5/2020 Hu D24/128
D898,537 S * 10/2020 Christensen D8/72
D908,878 S * 1/2021 Puhasmagi D24/143
D910,858 S * 2/2021 Marton D24/190
D917,045 S * 4/2021 Gray D24/129
D921,887 S * 6/2021 Hu D24/143
D937,413 S * 11/2021 Gray D24/129
D948,981 S * 4/2022 Van Hulst D8/72
2011/0284008 A1 * 11/2011 Kanowitz A61M 16/0488
128/207.17
2019/0070378 A1 * 3/2019 Kanowitz A61M 16/0497
2022/0126045 A1 * 4/2022 Dory A61M 16/0497

OTHER PUBLICATIONS

Endotracheal Tube Holder, Precision Medical, Precisionmedical.com, [Post date: unknown], [Site seen Jun. 14, 2022], Seen at URL: <https://www.precisionmedical.com/hospital/airway-products/endotracheal-tube-holder/c-25/c-105/p-3201> (Year: 2022).*

* cited by examiner

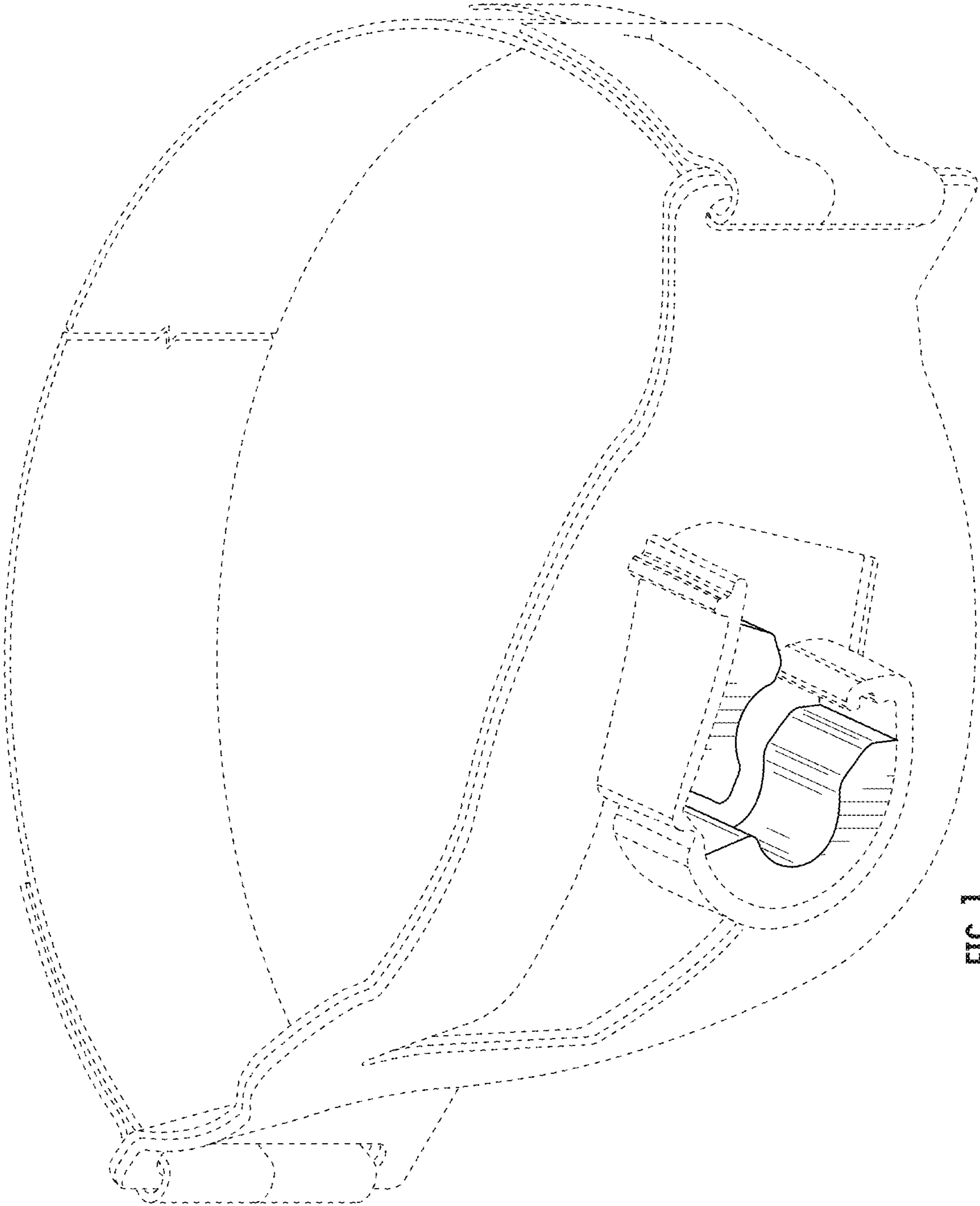


FIG. 1

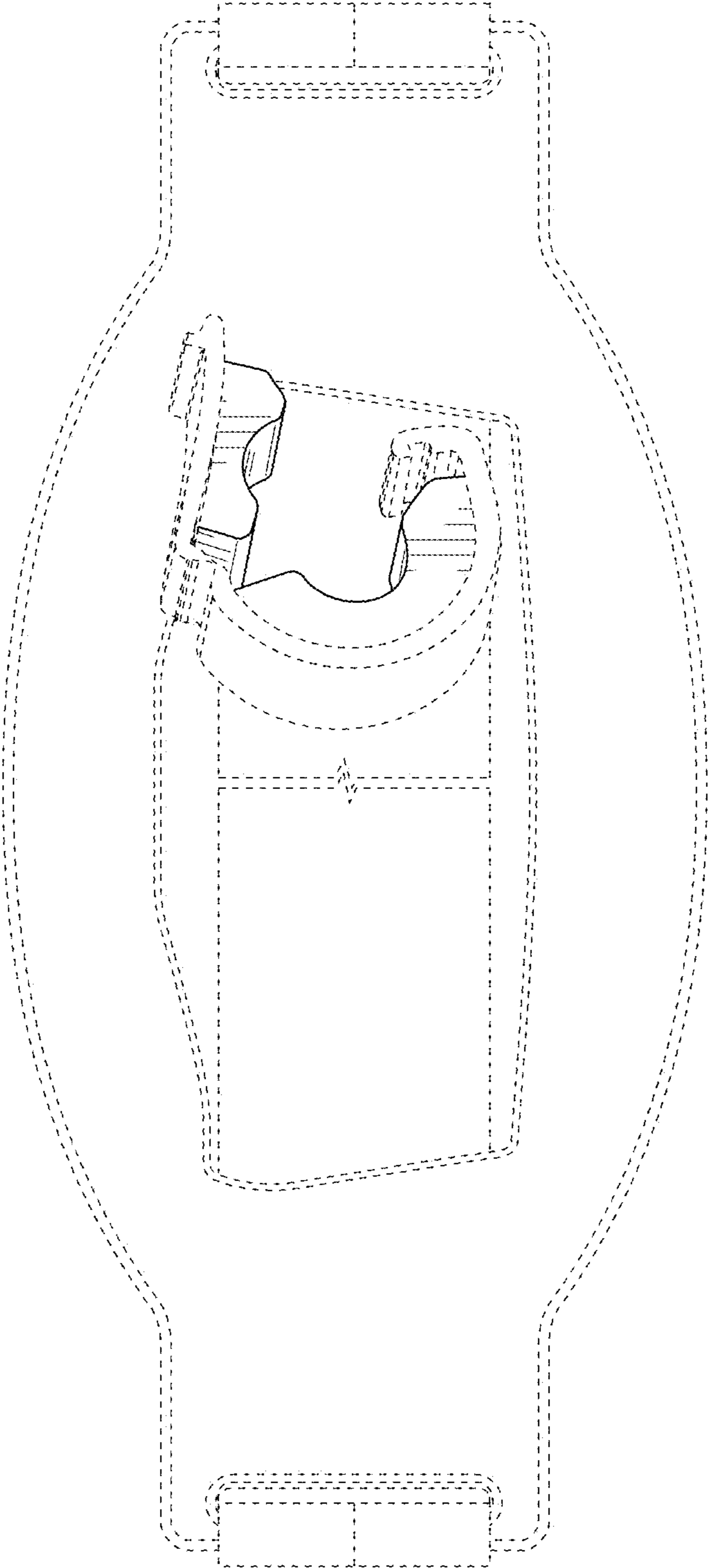


FIG. 2

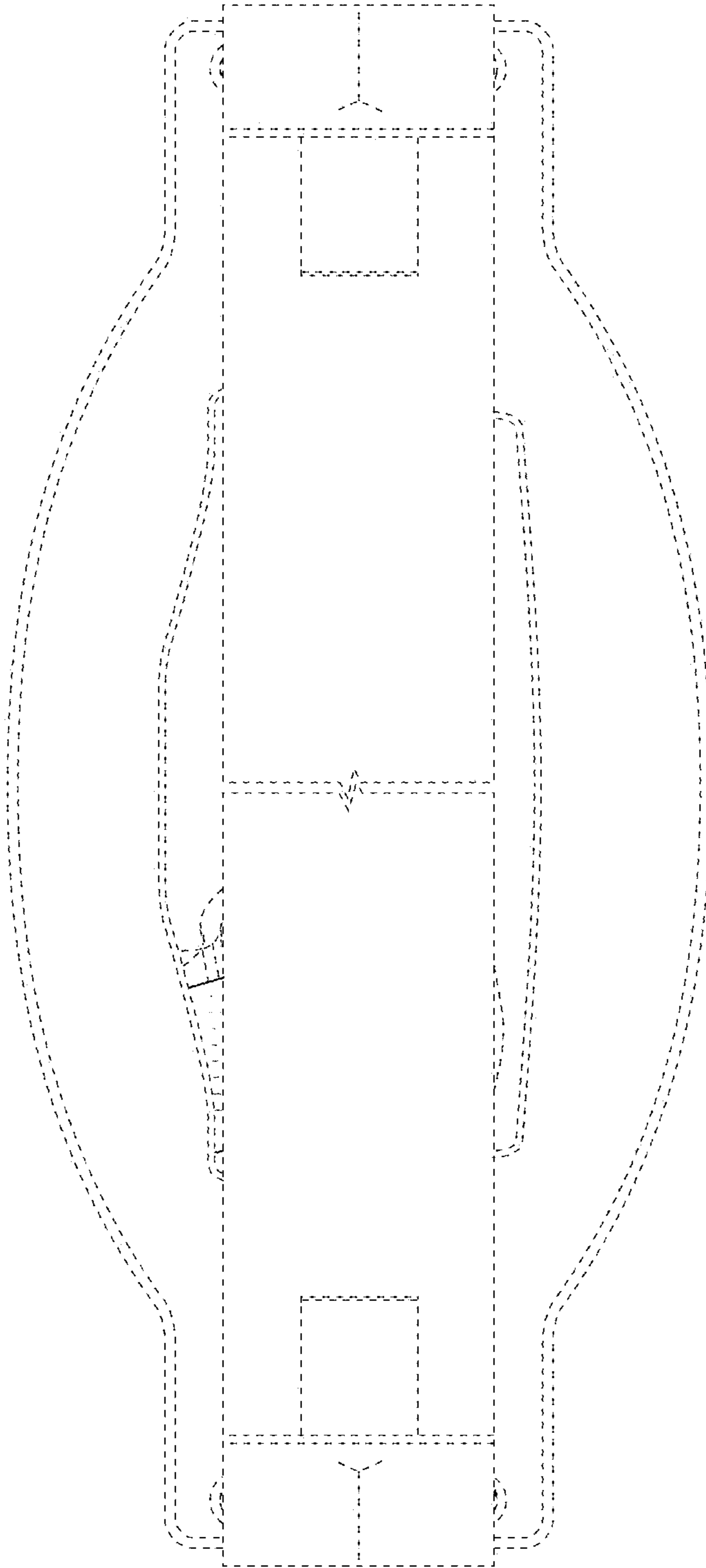


FIG. 3

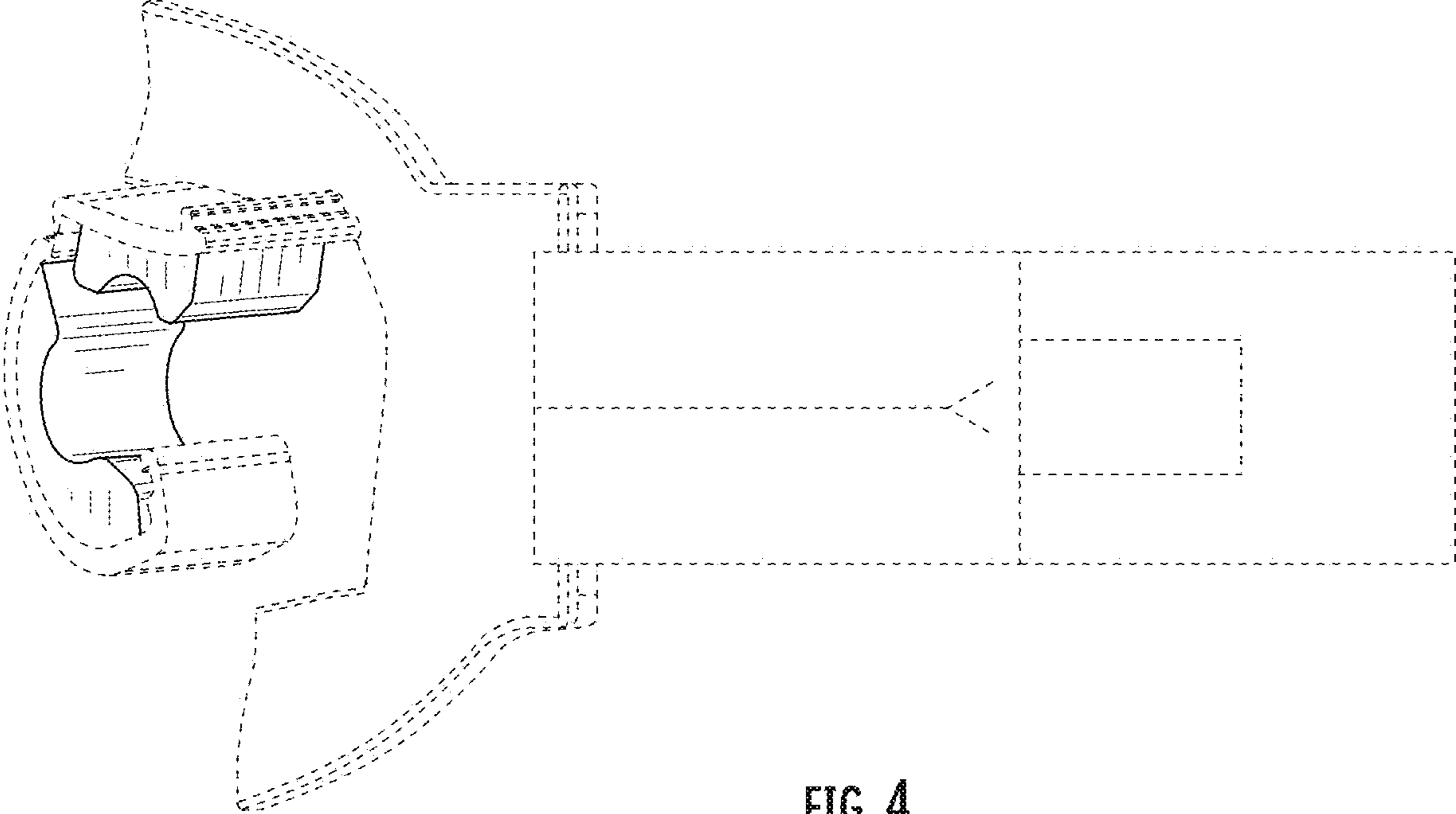


FIG. 4

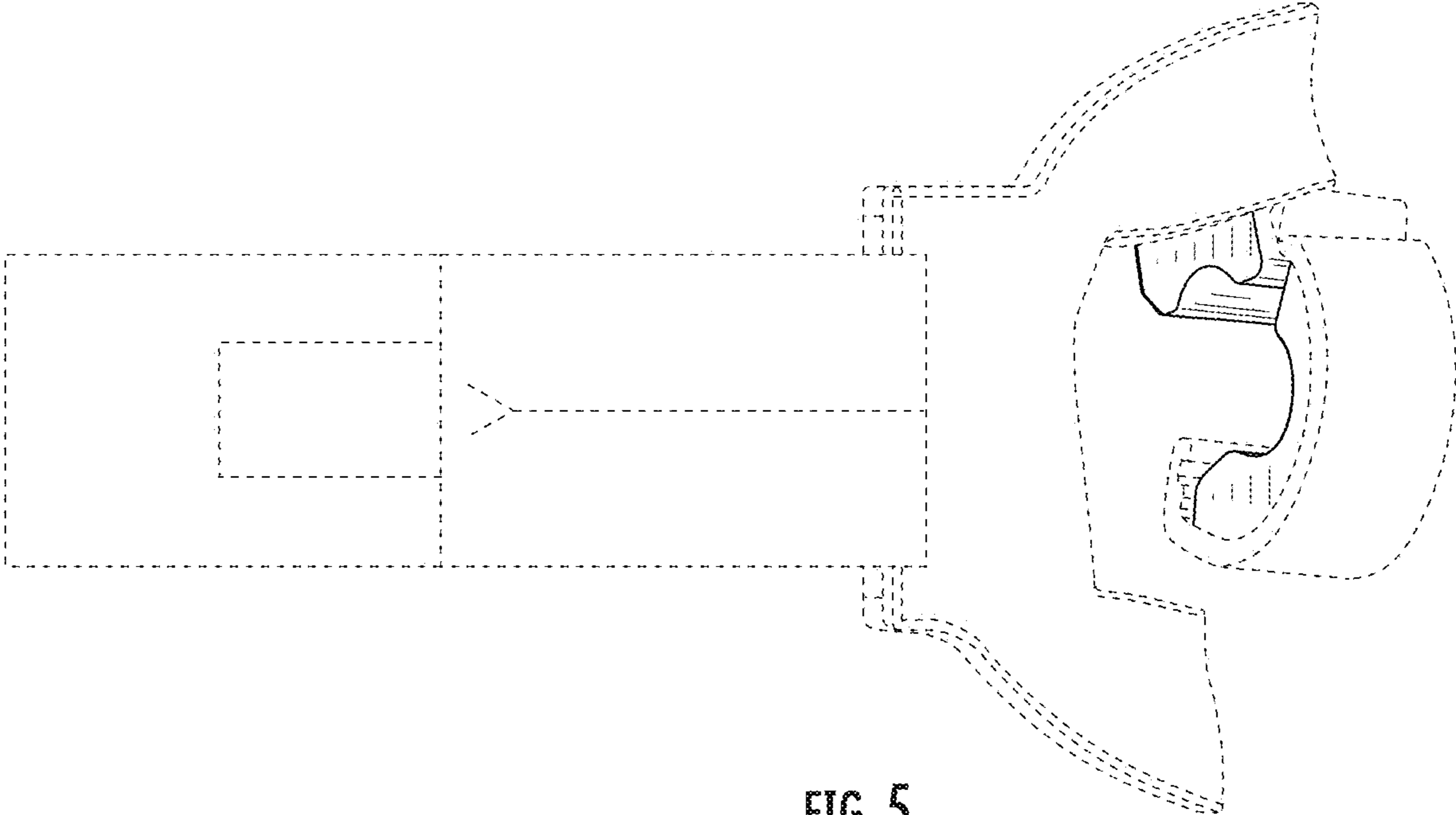


FIG. 5

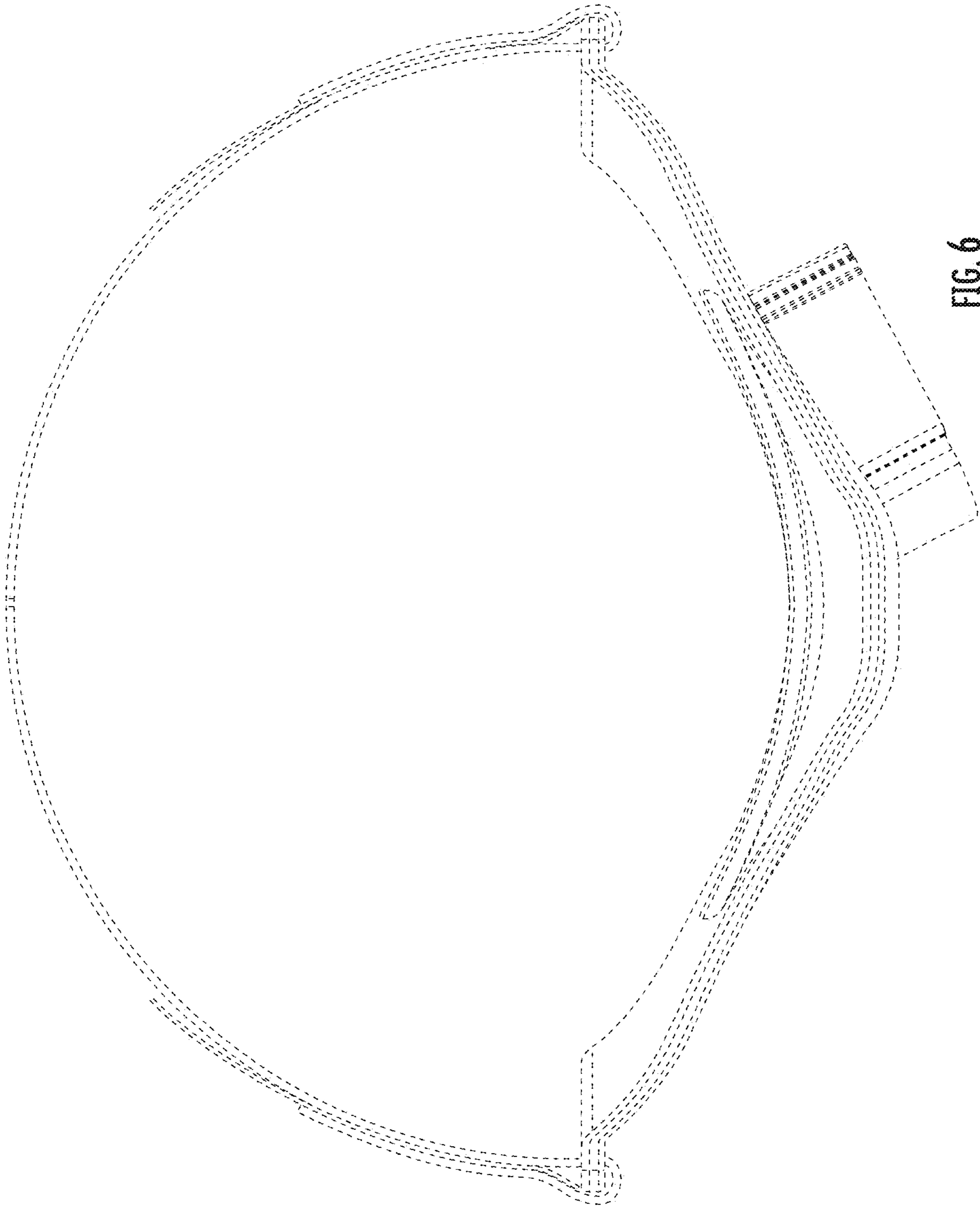


FIG. 6

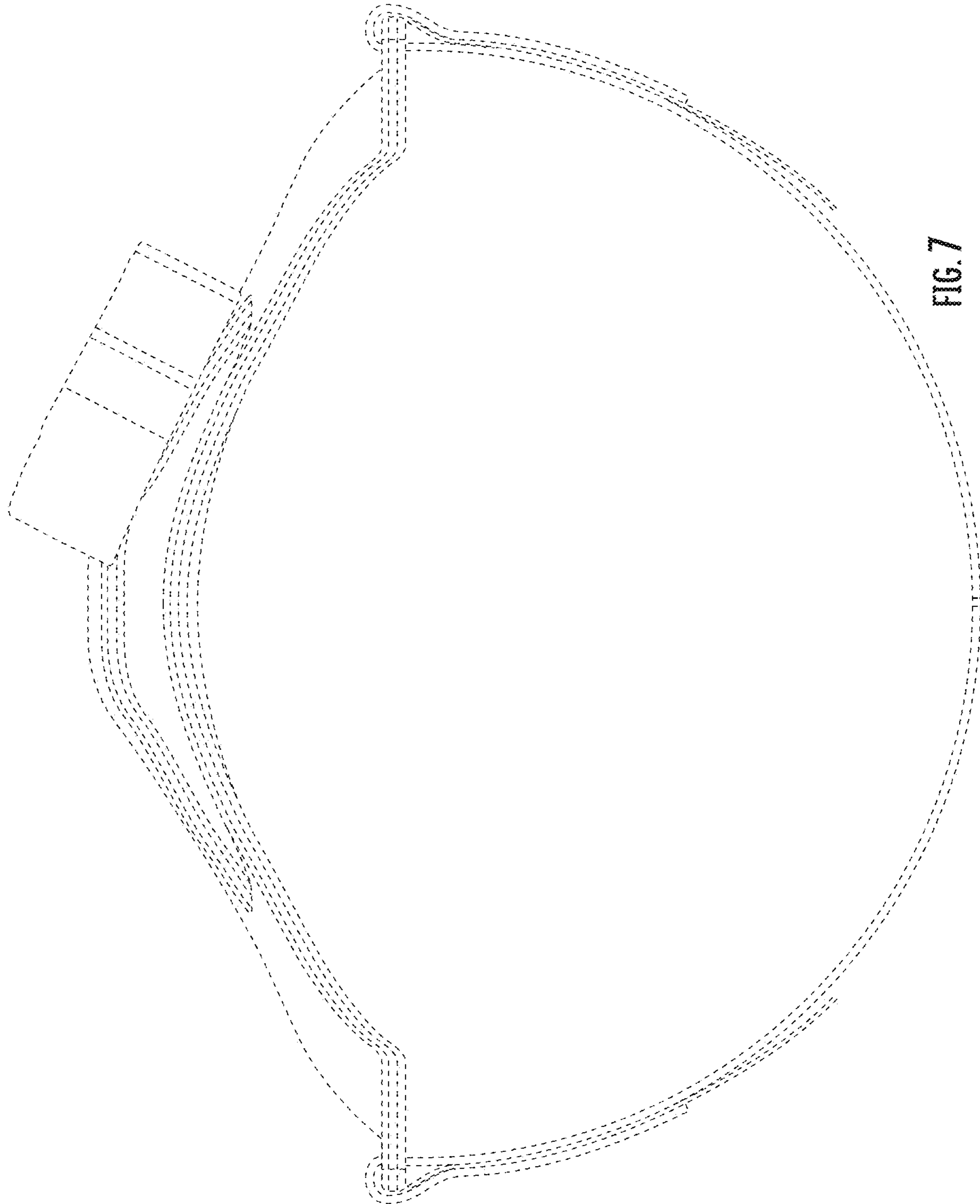


FIG. 7