



US00D963848S

(12) **United States Design Patent** (10) **Patent No.:** **US D963,848 S**
Moriarty (45) **Date of Patent:** **** Sep. 13, 2022**

(54) **TUBE SECURING DEVICE SUPPORT BODY**

D834,719 S * 11/2018 Theriot D24/200
D910,858 S * 2/2021 Marton D24/190
D926,988 S * 8/2021 Henderson D24/162

(71) Applicant: **Tubetamer, LLC**, Valley Center, CA (US)

(Continued)

(72) Inventor: **Douglas Alan Moriarty**, Valley Center, CA (US)

FOREIGN PATENT DOCUMENTS

WO D215487-001 * 7/2021

(73) Assignee: **TUBETAMER, LLC**, Valley Center, CA (US)

OTHER PUBLICATIONS

(**) Term: **15 Years**

Laerdal Thomas ET Tube Holder, Laerdal Thomas, Galls.com, [Post date unknown], [Site seen Jun. 14, 2022], Seen at URL: <https://www.galls.com/laerdal-thomas-et-tube-holder7PMOPV1=ADLT&PMSRCE=GAPLA&gclid=EAIaIqobChMlwr2jqlOh-AIVCZXICh05uQiZEAQYB%E2%80%A6> (Year: 2022).*

(21) Appl. No.: **29/770,079**

(Continued)

(22) Filed: **Feb. 9, 2021**

Related U.S. Application Data

(63) Continuation of application No. 17/152,408, filed on Jan. 19, 2021.

(51) **LOC (13) Cl.** **24-02**

(52) **U.S. Cl.**
USPC **D24/128**

(58) **Field of Classification Search**
USPC D24/135, 143; D29/101.3, 101.5;
D21/662; D8/72, 73, 394
CPC . A61M 39/28; A61M 39/00; Y10T 24/44906;
Y10T 24/3918
See application file for complete search history.

Primary Examiner — Natasha Vujcic
Assistant Examiner — Gilbert B Ford
(74) *Attorney, Agent, or Firm* — Charles F. Reidelbach, Jr.

(57) **CLAIM**

I claim, the ornamental design for a tube securing device support body, as shown and described.

DESCRIPTION

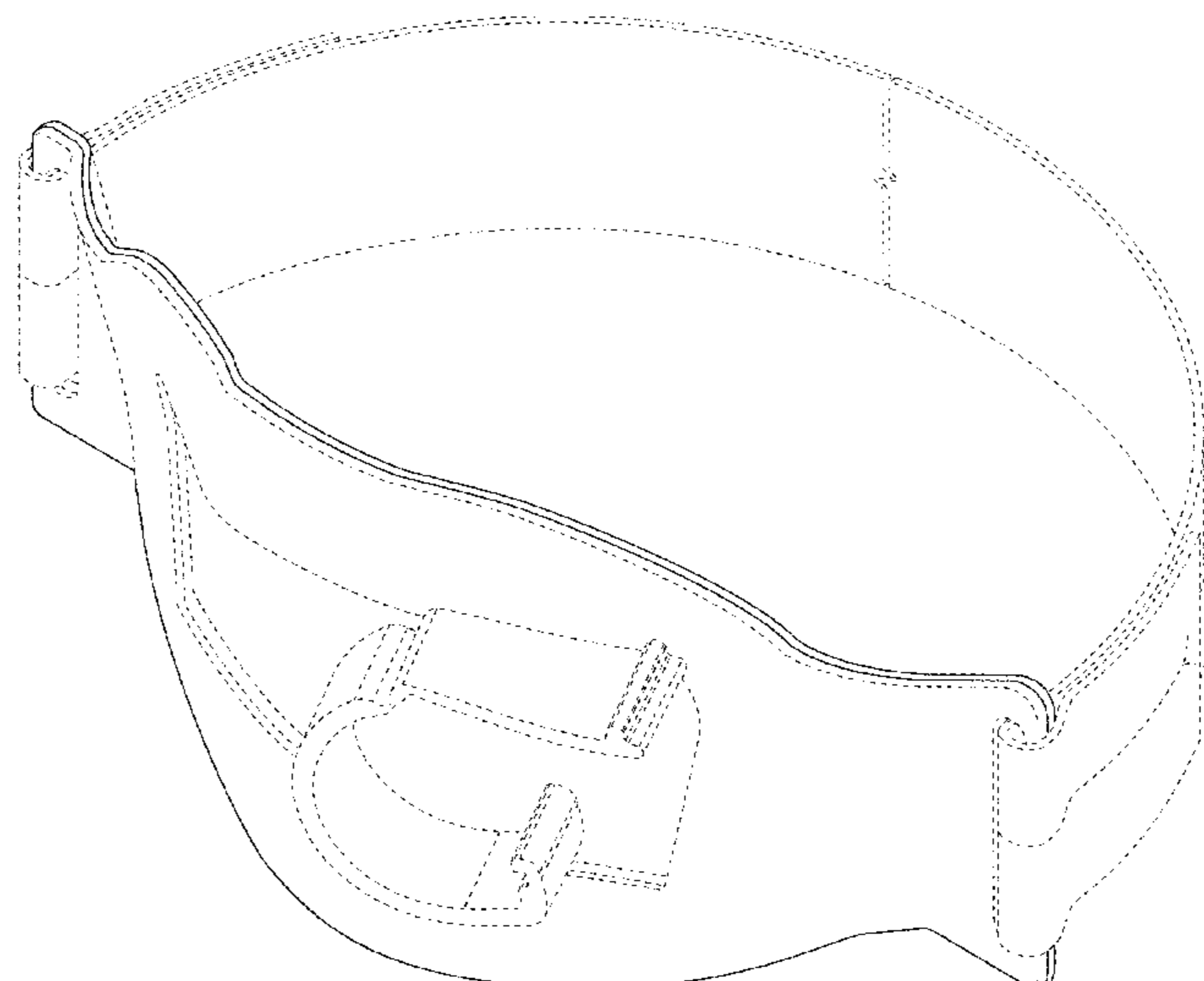
FIG. 1 is a front, top, and right side perspective view of a tube securing device support body showing our new design; FIG. 2 is a front elevation view thereof; FIG. 3 is a rear elevation view thereof; FIG. 4 is a front and right side broken perspective view thereof; FIG. 5 is a front and left side broken perspective view thereof; FIG. 6 is top plan view thereof; and, FIG. 7 is a bottom plan view thereof. The broken lines in the drawings illustrate portions of the tube securing device support body and form no part of the claimed design.

1 Claim, 6 Drawing Sheets

(56) **References Cited**

U.S. PATENT DOCUMENTS

D202,868 S * 11/1965 Marks 297/487
D333,939 S * 3/1993 Gates D6/601
5,690,609 A * 11/1997 Heinze, III A61F 5/03
2/311
D638,947 S * 5/2011 Rubi D24/189
D649,648 S * 11/2011 Cavalieri A61F 5/028
D24/190
8,074,650 B2 * 12/2011 Steeves A61M 25/02
128/207.14



(56)

References Cited

U.S. PATENT DOCUMENTS

2011/0284008 A1* 11/2011 Kanowitz A61M 16/0488
128/207.17
2019/0070378 A1* 3/2019 Kanowitz A61M 16/0497
2022/0126045 A1* 4/2022 Dory A61M 16/0497

OTHER PUBLICATIONS

Endotracheal Tube Holder, Precision Medical, Precisionmedical.com, [Post date unknown], [Site seen: Jun. 14, 2022], Seen at URL: <https://www.precisionmedical.com/hospital/airway-products/endotracheal-tube-holder/c-25/c-105/p-3201> (Year: 2022).*

* cited by examiner

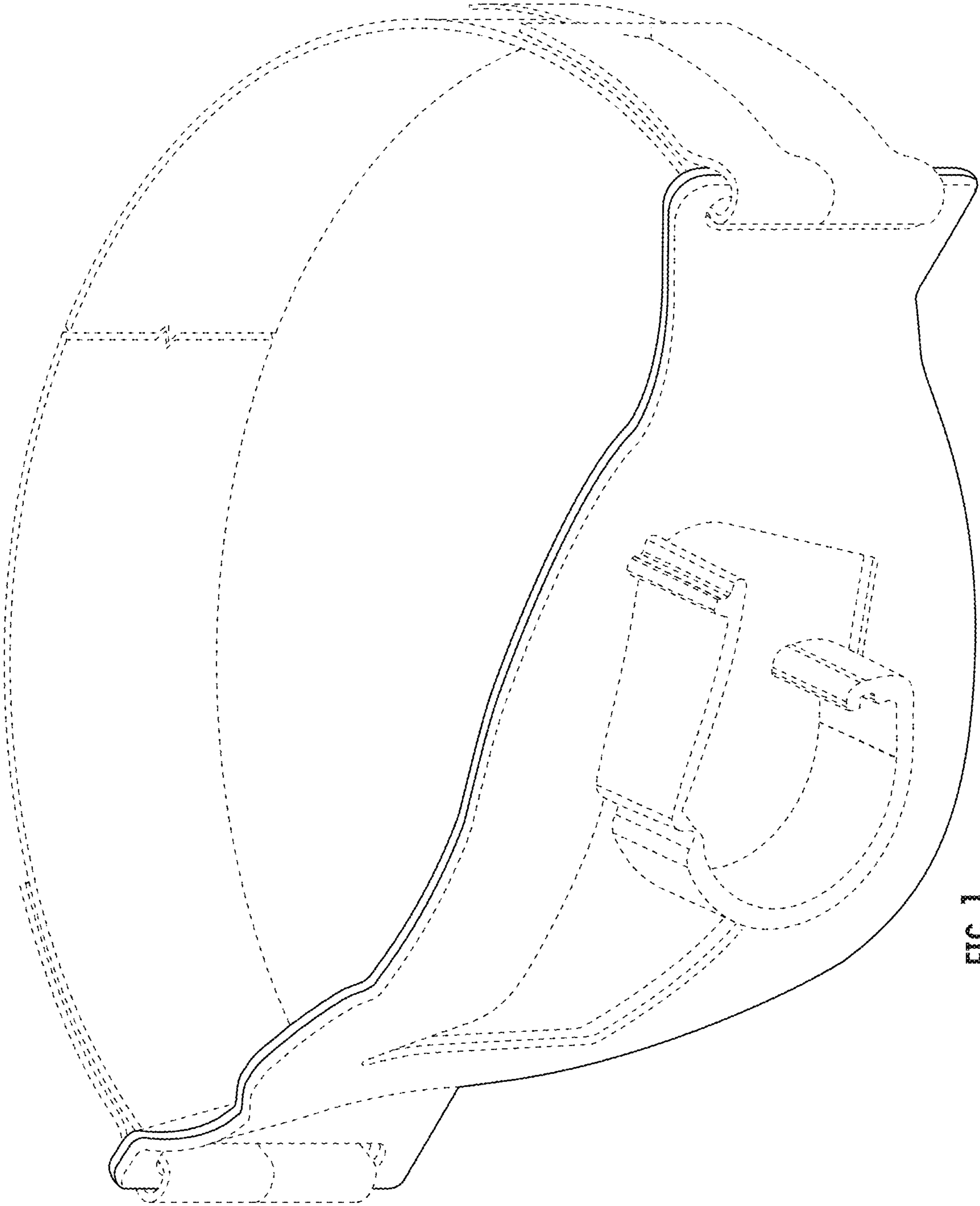


FIG. 1

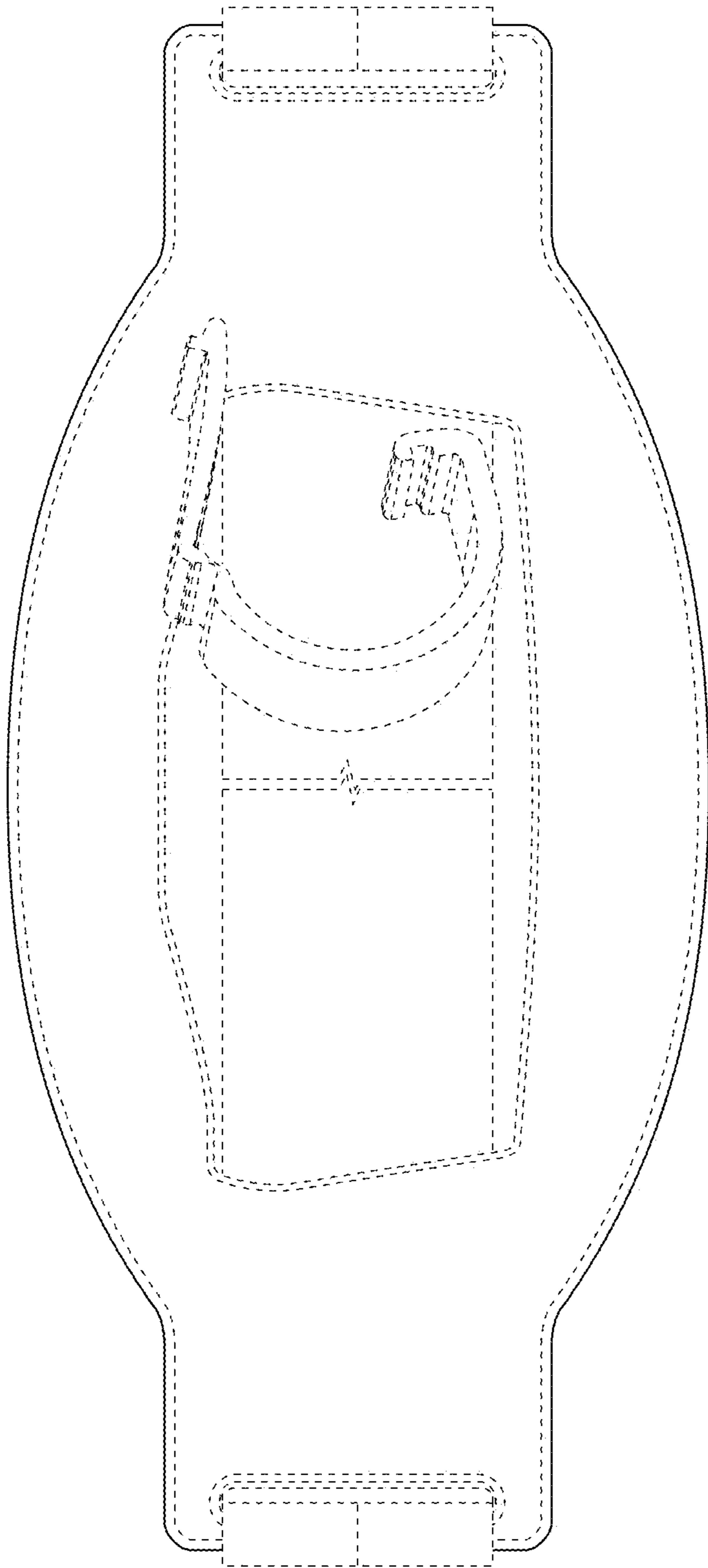


FIG. 2

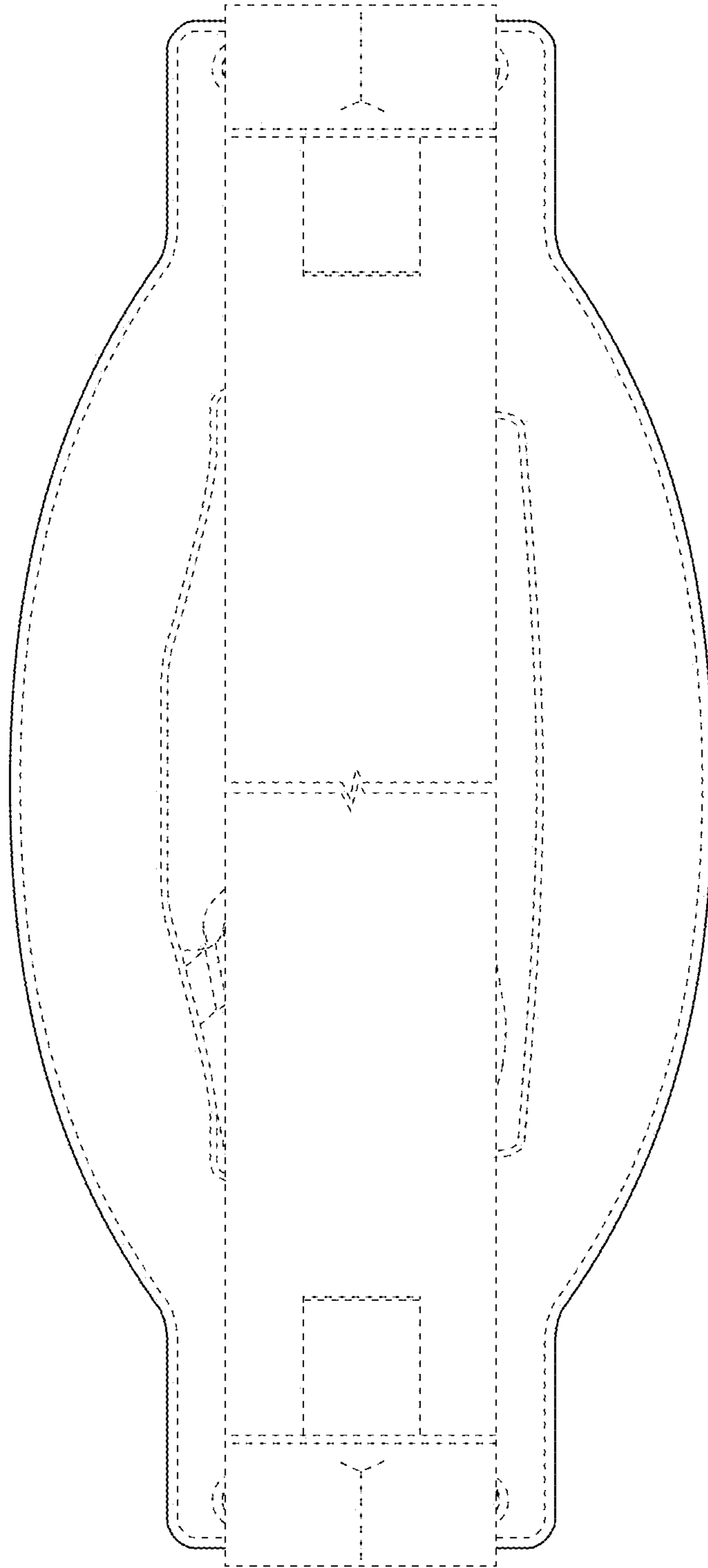


FIG. 3

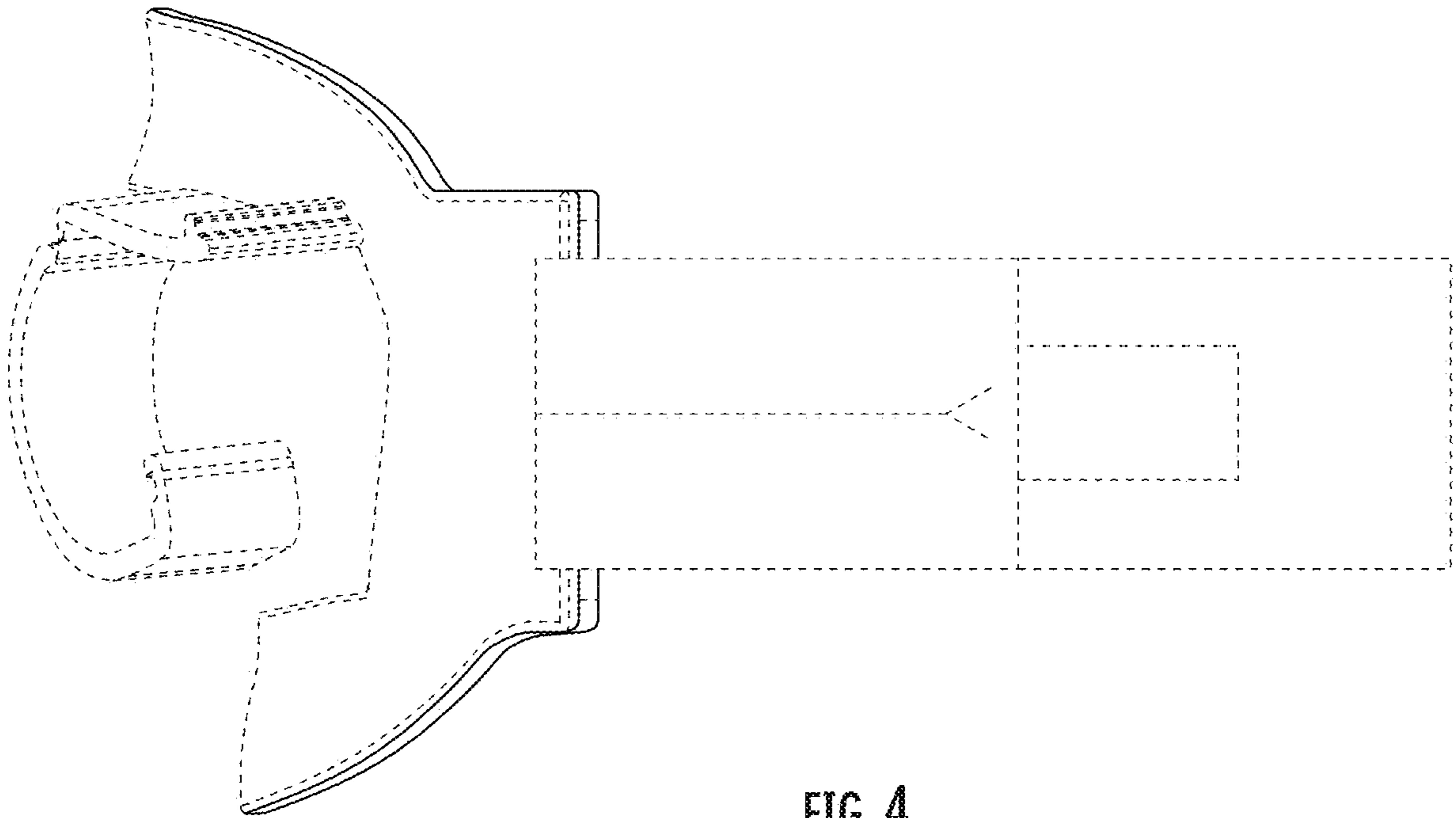


FIG. 4

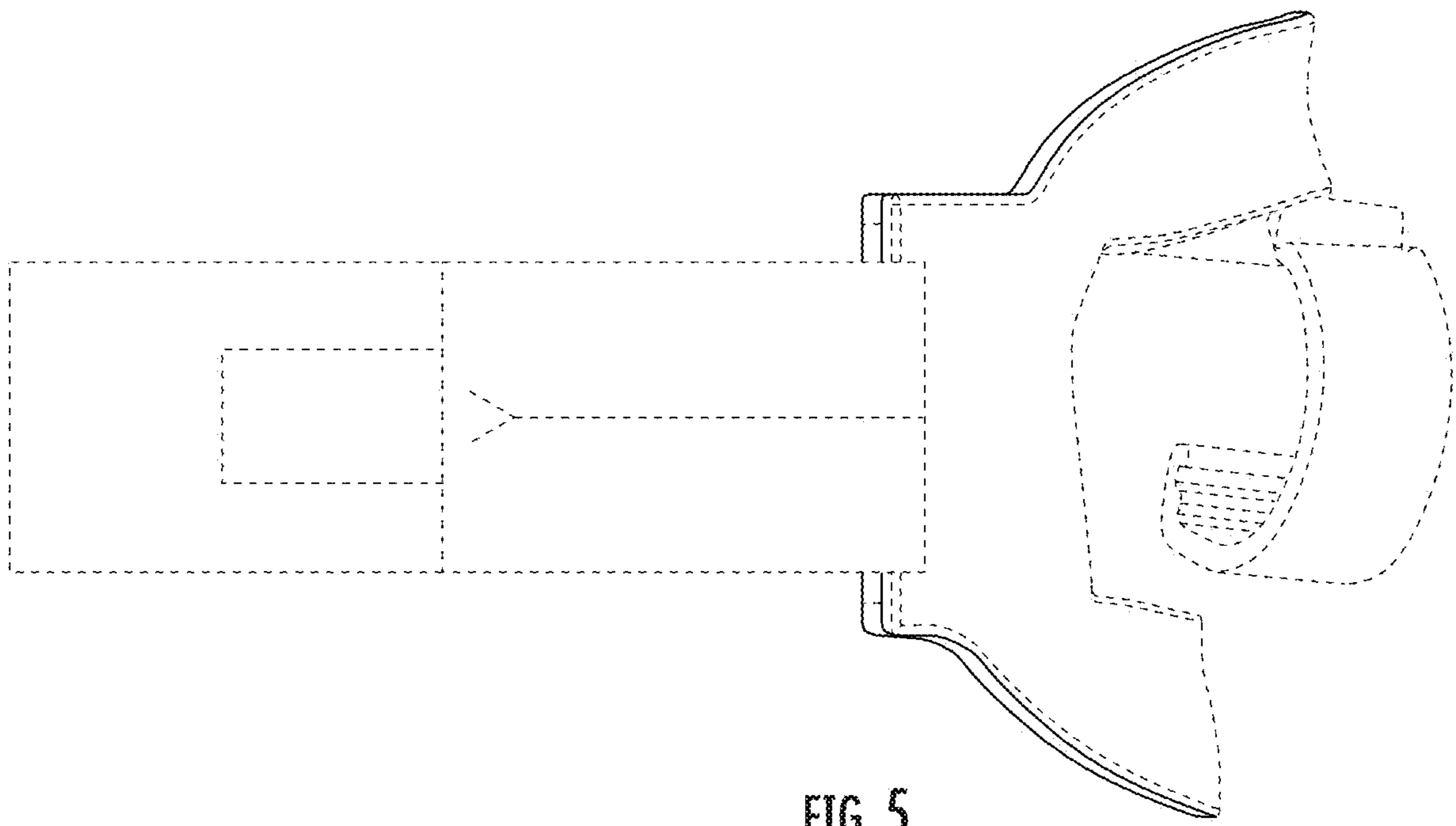


FIG. 5

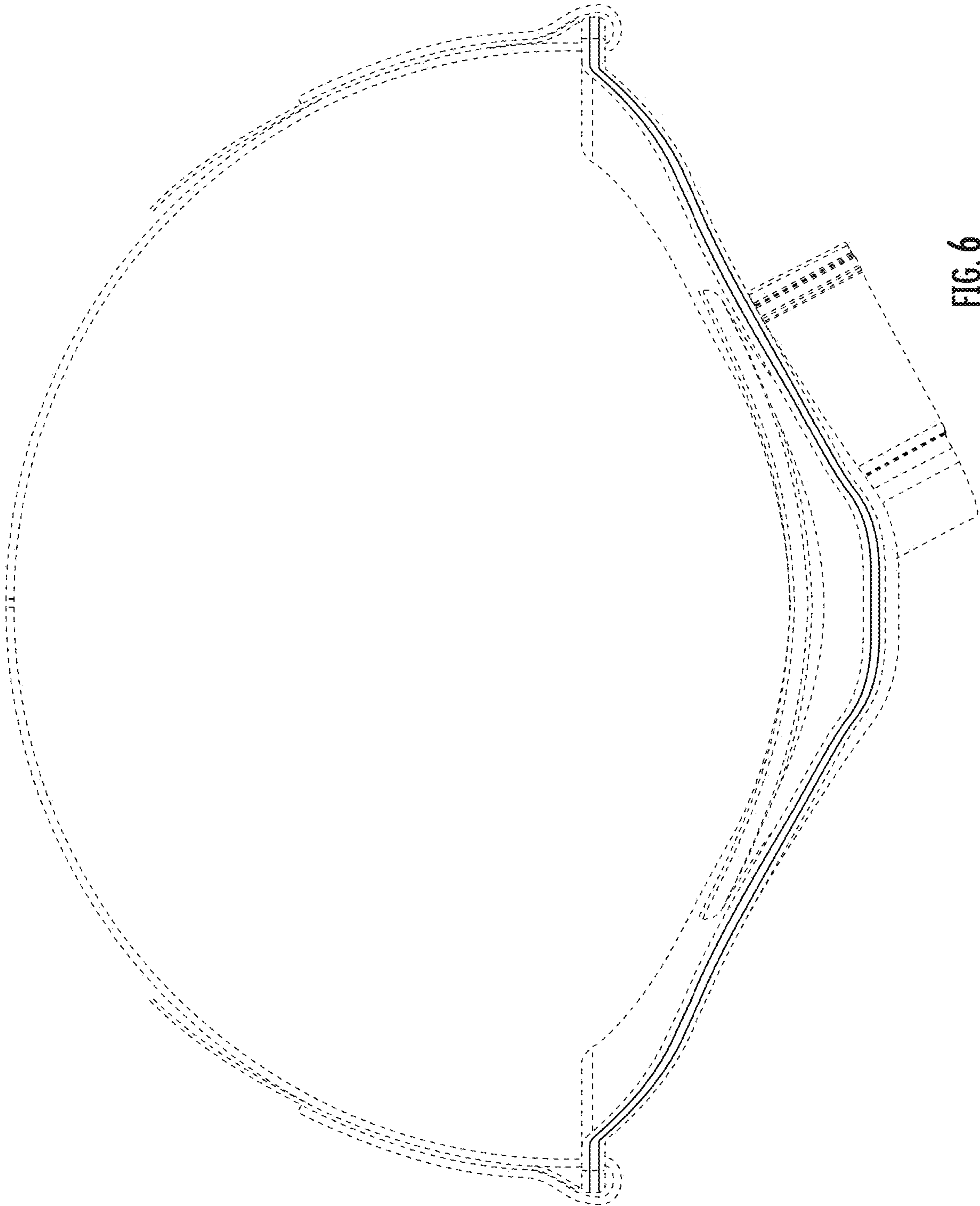


FIG. 6

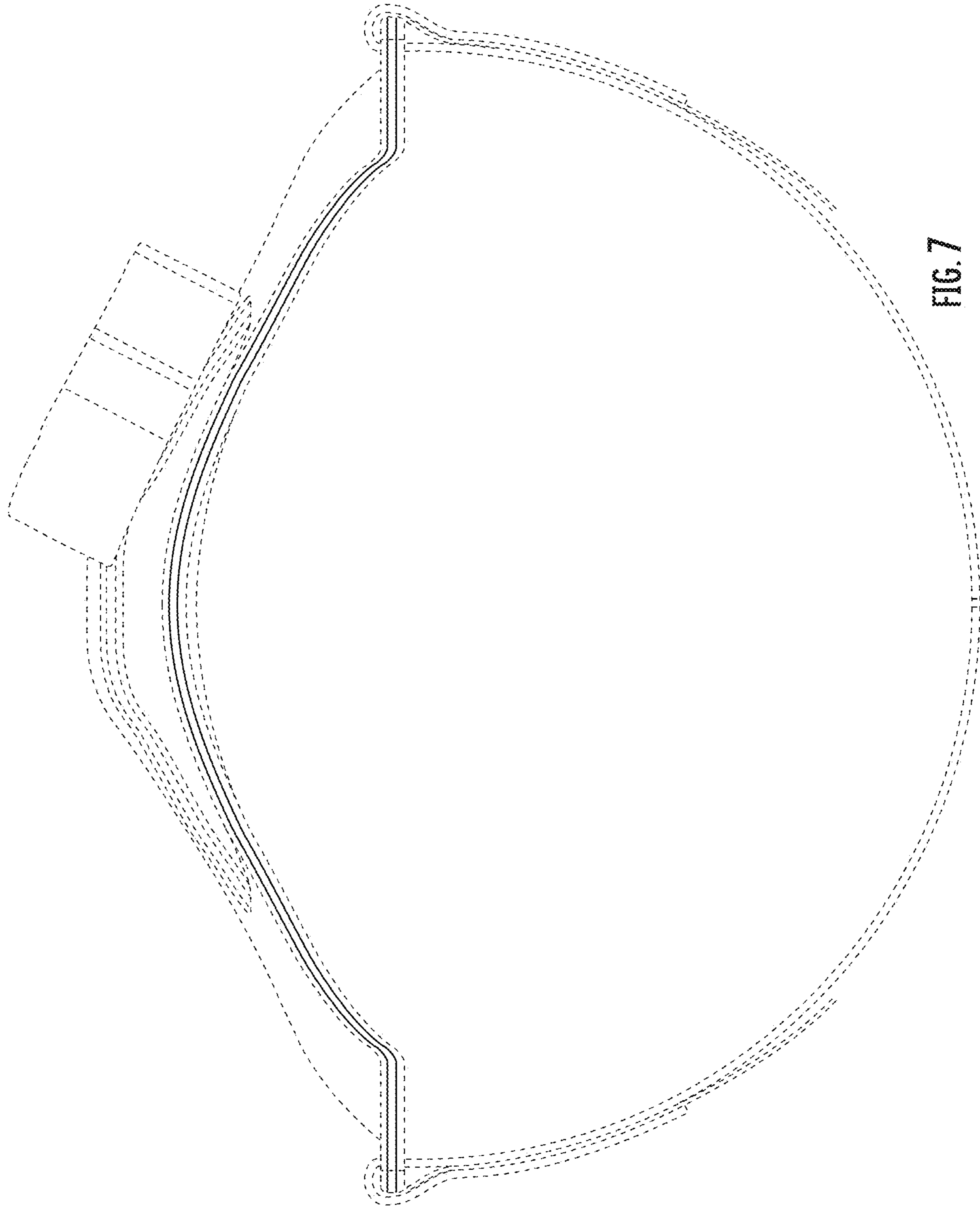


FIG. 7