



US00D963847S

(12) **United States Design Patent** (10) **Patent No.:** **US D963,847 S**
Nagahashi et al. (45) **Date of Patent:** **** Sep. 13, 2022**

(54) **DISPOSABLE DIAPER**

(71) Applicant: **Daio Paper Corporation**, Shikokuchuo (JP)

(72) Inventors: **Ayumi Nagahashi**, Shikokuchuo (JP); **Airi Yarimizu**, Tokyo (JP); **Michiko Kimura**, Tokyo (JP)

(73) Assignee: **DAIO PAPER CORPORATION**, Ehime (JP)

(**) Term: **15 Years**

(21) Appl. No.: **29/709,616**

(22) Filed: **Oct. 16, 2019**

(30) **Foreign Application Priority Data**

Apr. 26, 2019 (JP) JP2019-9583

(51) **LOC (13) Cl.** **24-04**

(52) **U.S. Cl.**
USPC **D24/126**

(58) **Field of Classification Search**
USPC D24/124-126; D5/32, 34, 36-43, 56-58, D5/60-62, 25, 47; D29/101.5, 119; D2/700, 701
CPC A61F 13/15; A61F 13/45; A61F 13/47; A61F 13/4704; A61F 13/47218; A61F 13/47236; A61F 13/47272; A61F 13/475; A61F 13/4751; A61F 13/4752; A61F 13/4755; A61F 13/4756; A61F 13/4757; A61F 13/4758; A61F 13/476; A61F 13/49; A61F 13/49001; A61F 13/49007; A61F 13/49009; A61F 13/49011; A61F 13/49012; A61F 13/49014; A61F 13/49015; A61F 13/56; A61F 13/5605; A61F 13/5611; A61F 13/5616; A61F 13/535; A61F 13/539; A61F 2013/16; A61F 2013/4587; A61F 2013/4706; A61F 2013/4708; A61F 2013/49084; A61F 2013/49088; A61F 2013/49098
See application file for complete search history.

(56) **References Cited**

U.S. PATENT DOCUMENTS

2,696,819 A * 12/1954 Lovekin A61F 13/535 D24/126

3,211,147 A * 10/1965 Duke A61F 13/5323 604/386

(Continued)

FOREIGN PATENT DOCUMENTS

CN 304525904 * 3/2018

CN 304882622 * 11/2018

Primary Examiner — Mary Shannon Malley
Assistant Examiner — Lee D. Starr

(74) *Attorney, Agent, or Firm* — Finnegan, Henderson, Farabow, Garrett & Dunner, LLP

(57) **CLAIM**

The ornamental design for a disposable diaper, as shown and described.

DESCRIPTION

The file of this patent contains at least one drawing executed in color. Copies of this patent with color drawings will be provided by the Office upon request and payment of the necessary fee.

FIG. 1 is a front, elevation view of a disposable diaper, showing the new design;

FIG. 2 is a rear elevation view thereof;

FIG. 3 is a left side elevation view thereof;

FIG. 4 is a right side elevation view thereof;

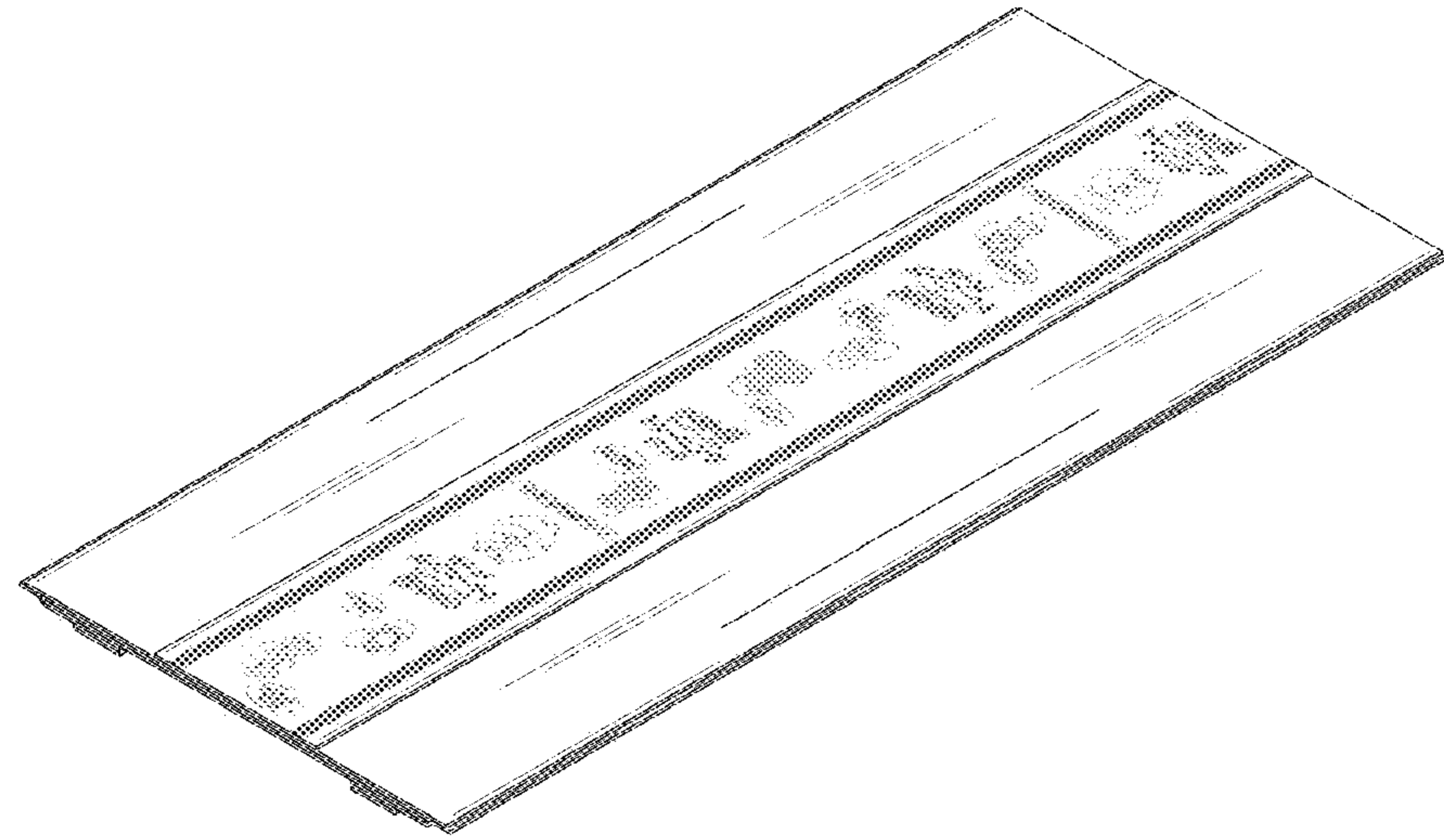
FIG. 5 is a top plan view thereof;

FIG. 6 is a bottom plan view thereof;

FIG. 7 is a front, left perspective view thereof; and,

FIG. 8 is a rear, left perspective view thereof.

1 Claim, 8 Drawing Sheets
(2 of 8 Drawing Sheet(s) Filed in Color)



(56)

References Cited

U.S. PATENT DOCUMENTS

3,430,629 A * 3/1969 Murphy A61F 13/532
604/375
3,848,597 A * 11/1974 Endres A61F 13/49001
D24/126
3,951,151 A * 4/1976 Teed A61F 13/539
604/374
4,040,423 A * 8/1977 Jones, Sr. A61F 13/49426
604/378
4,108,179 A * 8/1978 Schaar A61F 13/49001
604/389
D341,198 S * 11/1993 Damiani D24/126
5,851,204 A * 12/1998 Mizutani A61F 13/4753
604/383
6,423,042 B1 * 7/2002 Sasaki A61F 13/49017
604/386
D533,272 S * 12/2006 Levy D24/126
D558,335 S * 12/2007 Willhaus D24/126
D577,817 S * 9/2008 Rinaldi D24/126

* cited by examiner

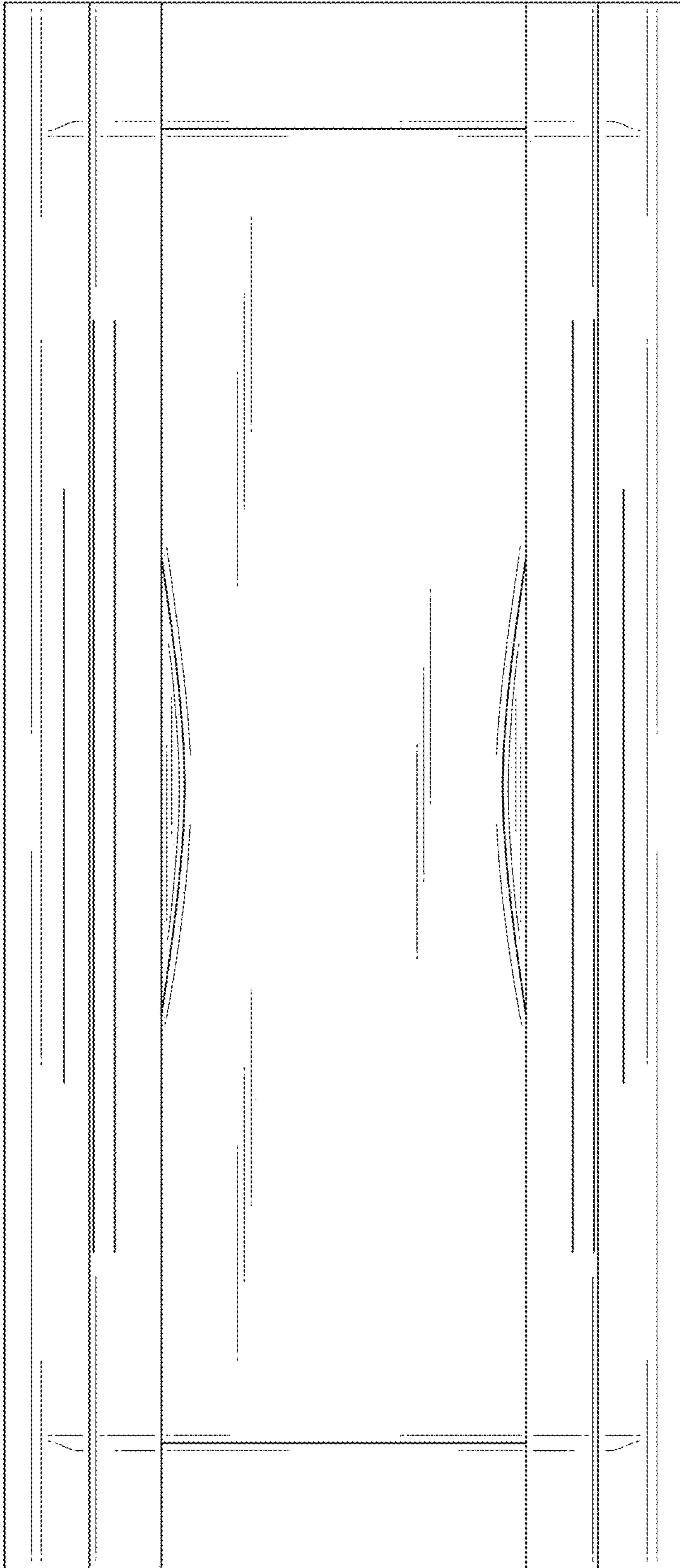


FIG.1

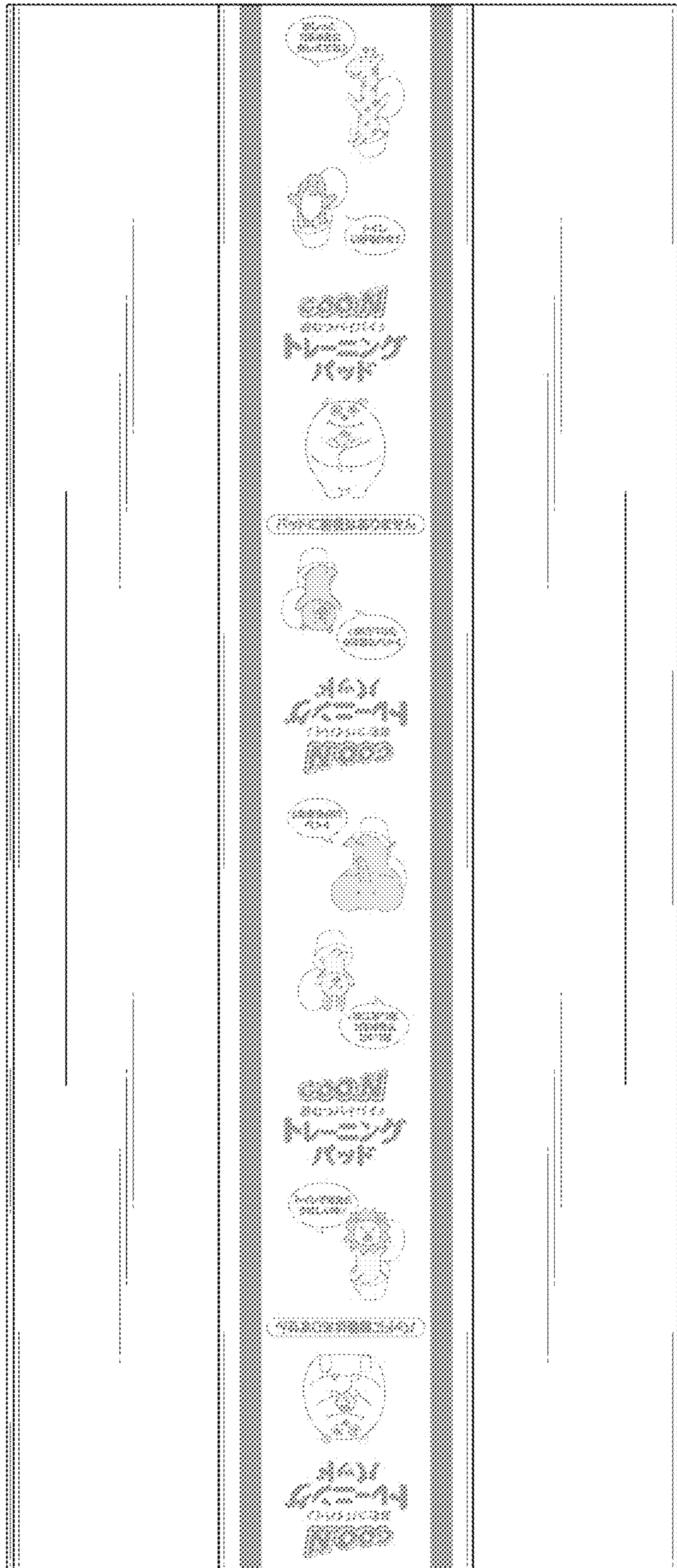


FIG.2

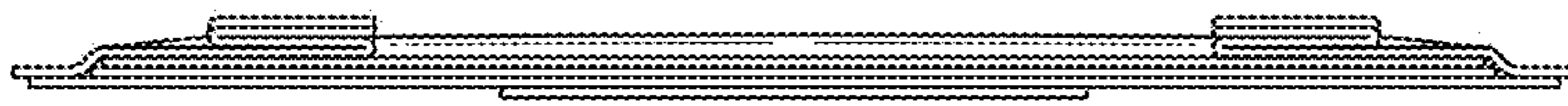


FIG. 3

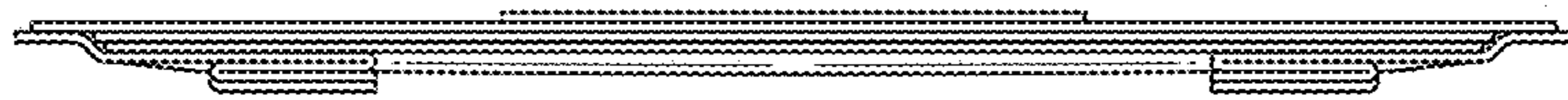


FIG.4



FIG. 5



FIG. 6

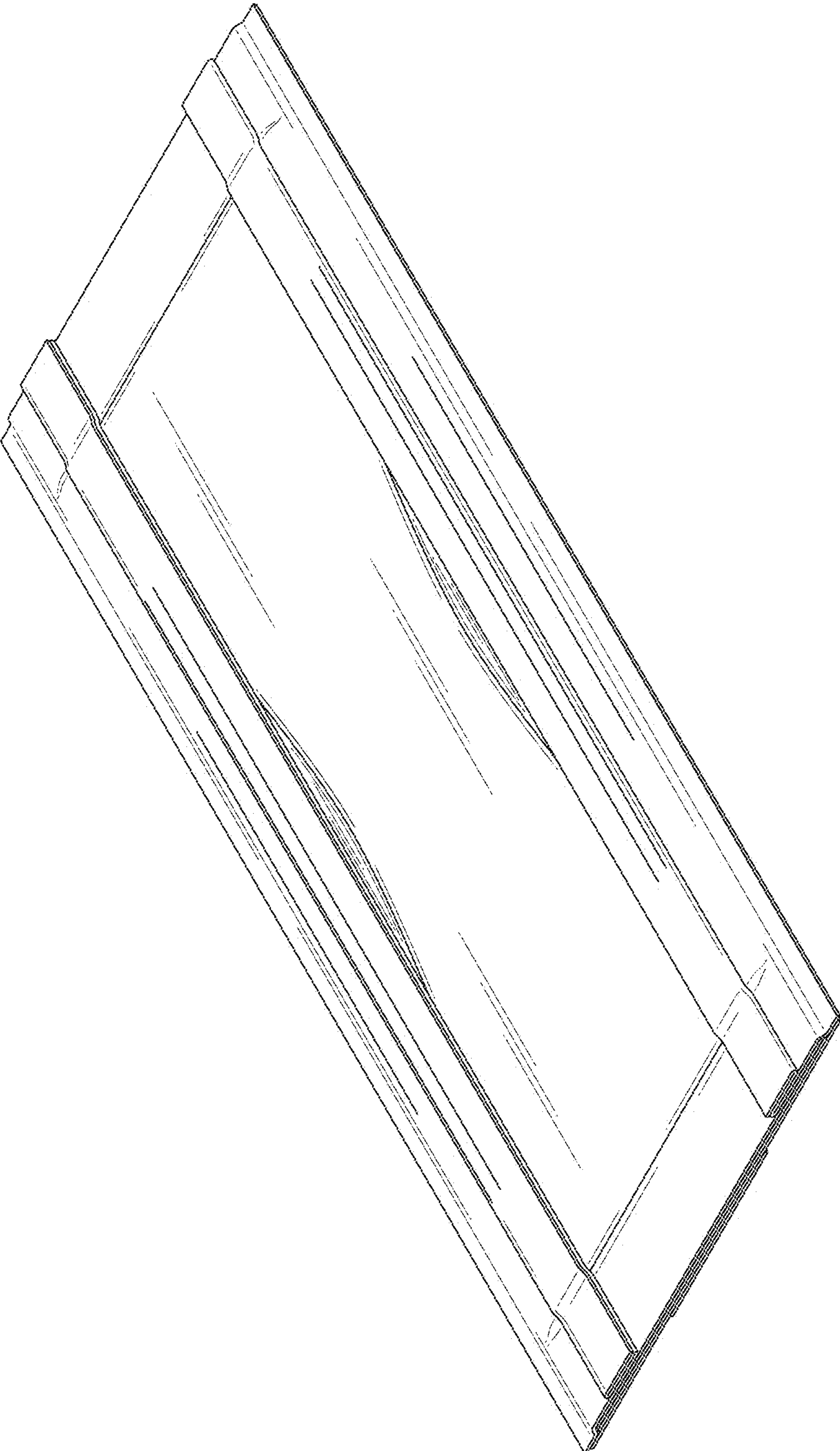


FIG.7

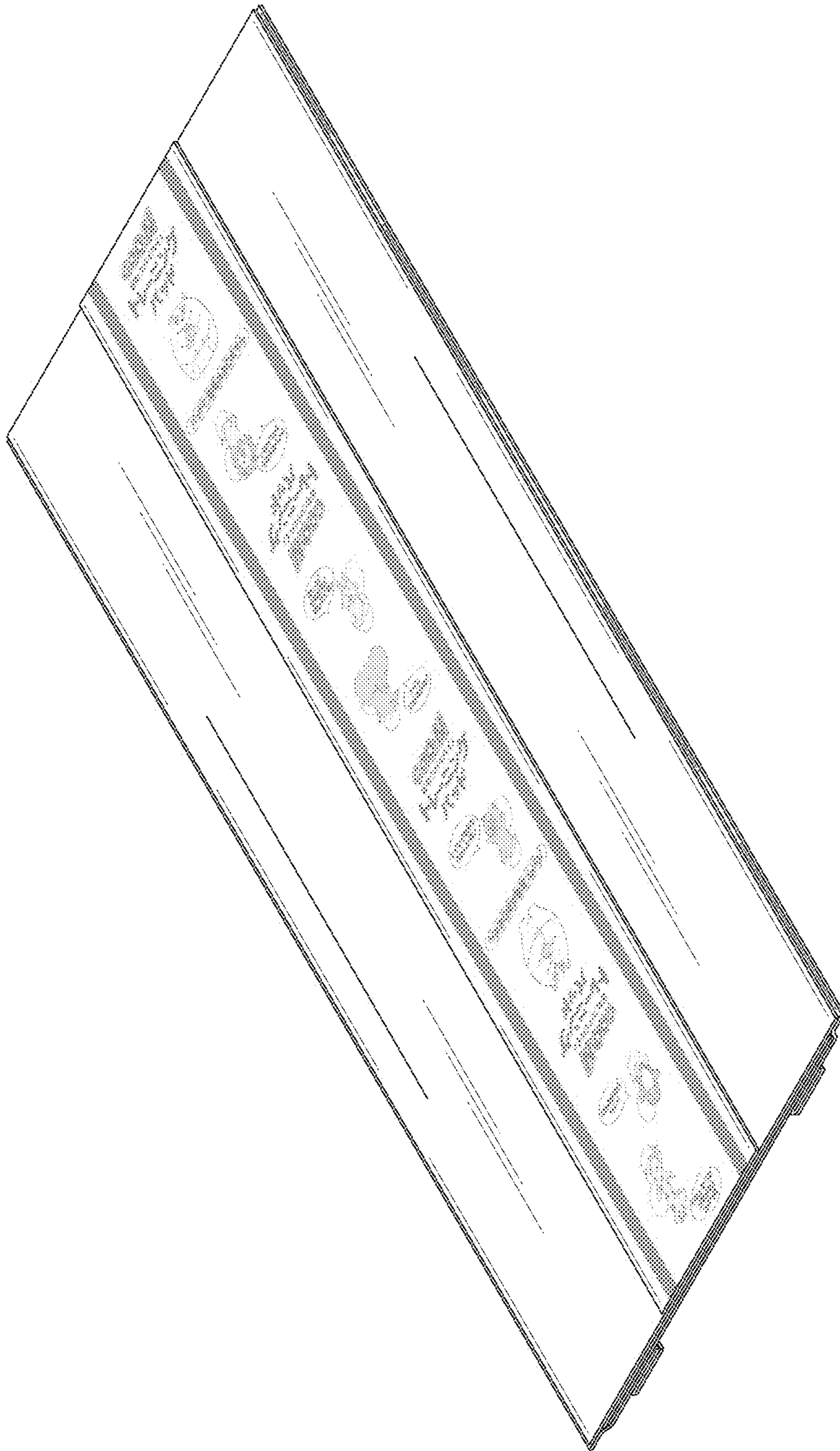


FIG.8