



US00D963844S

(12) **United States Design Patent**
Grizzard et al.

(10) **Patent No.:** **US D963,844 S**
(45) **Date of Patent:** **** Sep. 13, 2022**

- (54) **BONE FILLER DEVICE HANDLE DESIGN**
- (71) Applicant: **Warsaw Orthopedic, Inc.**, Warsaw, IN (US)
- (72) Inventors: **Mark R. Grizzard**, Munford, TN (US);
John A. Elliott, Atoka, TN (US);
Julien Prevost, Memphis, TN (US);
Michael C. Vincent, Memphis, TN (US)
- (73) Assignee: **Warsaw Orthopedic, Inc.**, Warsaw, IN (US)

17/0057; A61B 17/0231; A61B 17/04;
A61B 17/064; A61B 17/0642; A61B
17/0643; A61B 17/0644; A61B
2017/0688; A61B 17/14; A61B
(Continued)

(**) Term: **15 Years**
(21) Appl. No.: **29/658,104**

(22) Filed: **Jul. 27, 2018**

(51) **LOC (13) Cl.** **24-02**

(52) **U.S. Cl.**
USPC **D24/114**

(58) **Field of Classification Search**
USPC D6/522, 523, 525, 526, 553, 566; D8/49,
D8/51, 52, 59, 60, 64, 82, 85, 86, 95, 97,
D8/300, 303, 349, 499; D14/372;
D15/138, 139; D16/100, 130, 309;
D24/108, 112, 113, 114, 115, 119, 127,
D24/128, 129, 130, 133, 137, 142, 144,
D24/145, 146, 147, 148, 150, 155, 158,
D24/160, 170, 171, 172, 173, 181, 185,
D24/186, 188, 200, 215, 216, 222, 231,
D24/232; D25/38.1, 41.1; D10/57;
D28/7
CPC A61B 3/00; A61B 3/0016; A61B 3/0025;
A61B 3/0033; A61B 3/0041; A61B
3/0075; A61B 3/0083; A61B 3/0091;
A61B 3/02; A61B 3/10; A61B 3/1005;
A61B 3/12; A61B 3/13; A61B 3/18;
A61B 17/00; A61B 2017/00349; A61B
2017/00455; A61B 2017/00464; A61B
2017/00473; A61B 2017/0053; A61B

(56) **References Cited**

U.S. PATENT DOCUMENTS

D320,276 S * 9/1991 Baum D24/113
D338,957 S * 8/1993 de Faire D24/112
(Continued)

OTHER PUBLICATIONS

Nio PM, "New Intraosseous Device", first available Mar. 12, 2014.
(<https://sarnova.s3.amazonaws.com/emp/pdfs/PerSys-NIO-Intraosseous-IO-Device-Brochure.pdf>) (Year: 2014).*
(Continued)

Primary Examiner — Lauren D McVey
Assistant Examiner — Justin A Johnson
(74) *Attorney, Agent, or Firm* — Sorell, Lenna &
Schmidt, LLP

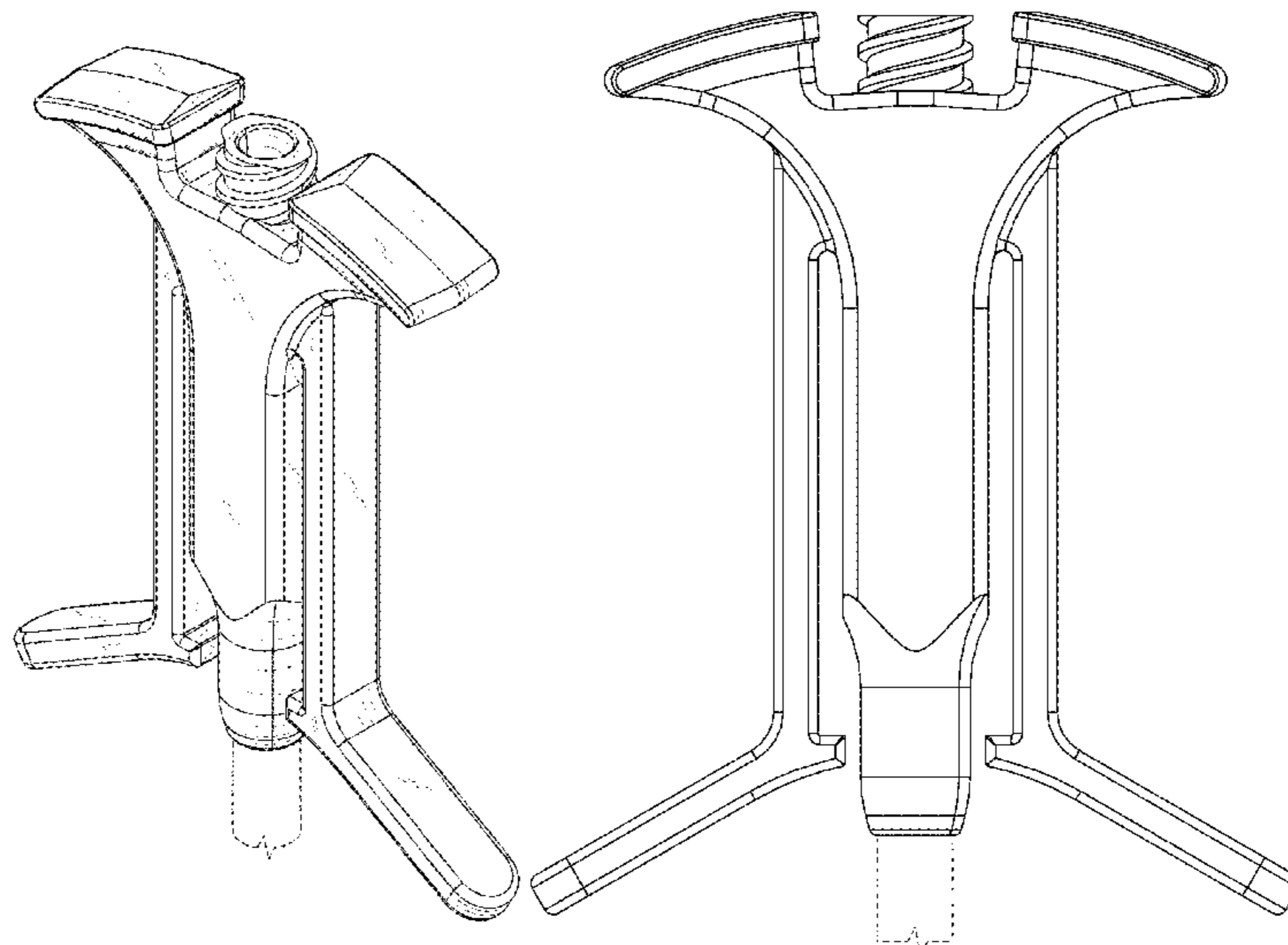
(57) **CLAIM**

The ornamental design for a bone filler device handle, as shown and described.

DESCRIPTION

FIG. 1 is a perspective view of a bone filler device handle; FIG. 2 is a front view of the bone filler device handle; FIG. 3 is a back view of the bone filler device handle; FIG. 4 is a left side view of the bone filler device handle; FIG. 5 is a right side view of the bone filler device handle; FIG. 6 is a top view of the bone filler device handle; and, FIG. 7 is a bottom view of the bone filler device handle. The broken lines illustrate portions of the bone filler device handle and form no part of the claimed design.

1 Claim, 5 Drawing Sheets



(58) **Field of Classification Search**

CPC 17/142; A61B 17/15; A61B 17/151; A61B 17/154; A61B 17/155; A61B 17/157; A61B 17/158; A61B 17/16; A61B 17/1613; A61B 17/1615; A61B 17/1617; A61B 2090/0817; A61B 2017/00663; A61B 17/0401; A61B 2017/0404; A61B 10/00; A61B 10/02; A61B 2010/0208; A61B 10/04; A61B 2010/045; A61B 17/221; A61B 17/34; A61B 17/3415; B23D 51/025; A61F 9/00; A61F 9/007; A61F 9/0133; A61F 2210/0004; A61H 5/00; A61H 5/005; A61H 2205/022; E21B 10/00; B28B 7/00; B28B 7/0002; B28B 7/0032; B28B 7/0094; B28B 7/16; B28B 7/18

See application file for complete search history.

(56) **References Cited**

U.S. PATENT DOCUMENTS

D483,116 S * 12/2003 Castellano D24/112
 D830,540 S * 10/2018 Rolfs A61B 10/0045
 D24/114
 D891,611 S * 7/2020 Valentin A61B 17/8819
 D24/114

2002/0068951 A1* 6/2002 Burbank A61B 17/0469
 606/167
 2011/0042439 A1* 2/2011 Johnson A61B 17/07207
 227/175.1
 2013/0037595 A1* 2/2013 Gupta A61B 17/07207
 227/175.2
 2013/0194887 A1* 8/2013 Chabansky A61B 17/8825
 366/130
 2013/0204165 A1* 8/2013 Perry A61B 10/0045
 600/587
 2018/0132838 A1* 5/2018 Ravikumar A61B 17/3468
 2020/0030015 A1* 1/2020 Grizzard A61B 17/7032
 2020/0337744 A1* 10/2020 Grizzard A61B 17/8819

OTHER PUBLICATIONS

Osteo-Site, "Cement Injectors", first available 2019. (https://izimed.com/s/Osteo-Site-Injectors_Sales-Sheet.pdf) (Year: 2019).*

Live Action Safety, "BD Jamshidi Style Intraosseous Needles", first available Feb. 26, 2019. (https://www.liveactionsafety.com/bd-jamshidi-style-intraosseous-needles/?gclid=EA1alQobChMI9bOgtOH78AIVCvezChIjQAHoEAQYAyABEgJcTfD_BwE) (Year: 2019).*

Medtronic, "Grafton DBF Inject", first available 2020. (<https://www.medtronic.com/content/dam/medtronic-com/d/nass/documents/grafon-dbf-inject-product-information.pdf>) (Year: 2020).*

* cited by examiner

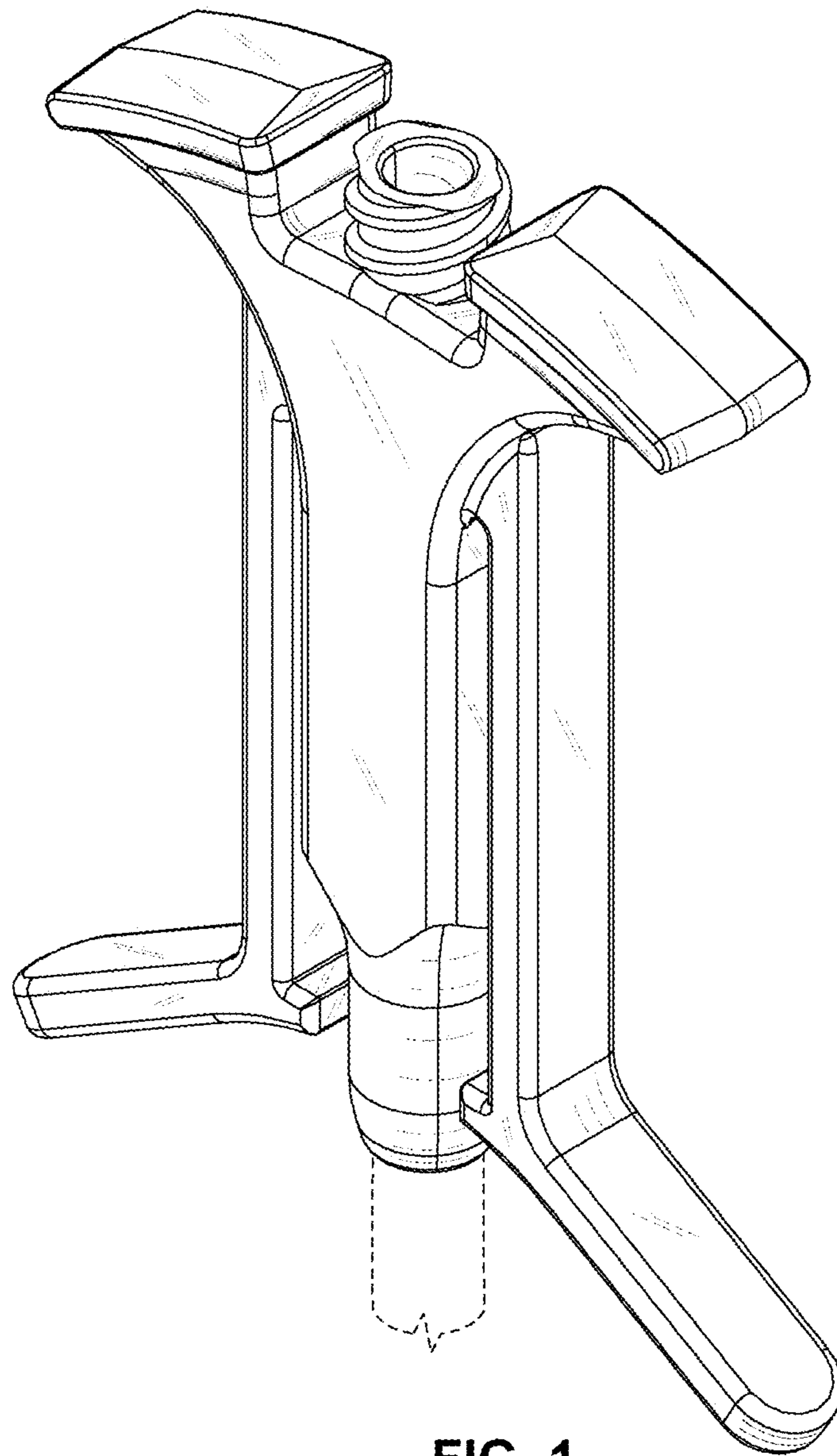


FIG. 1

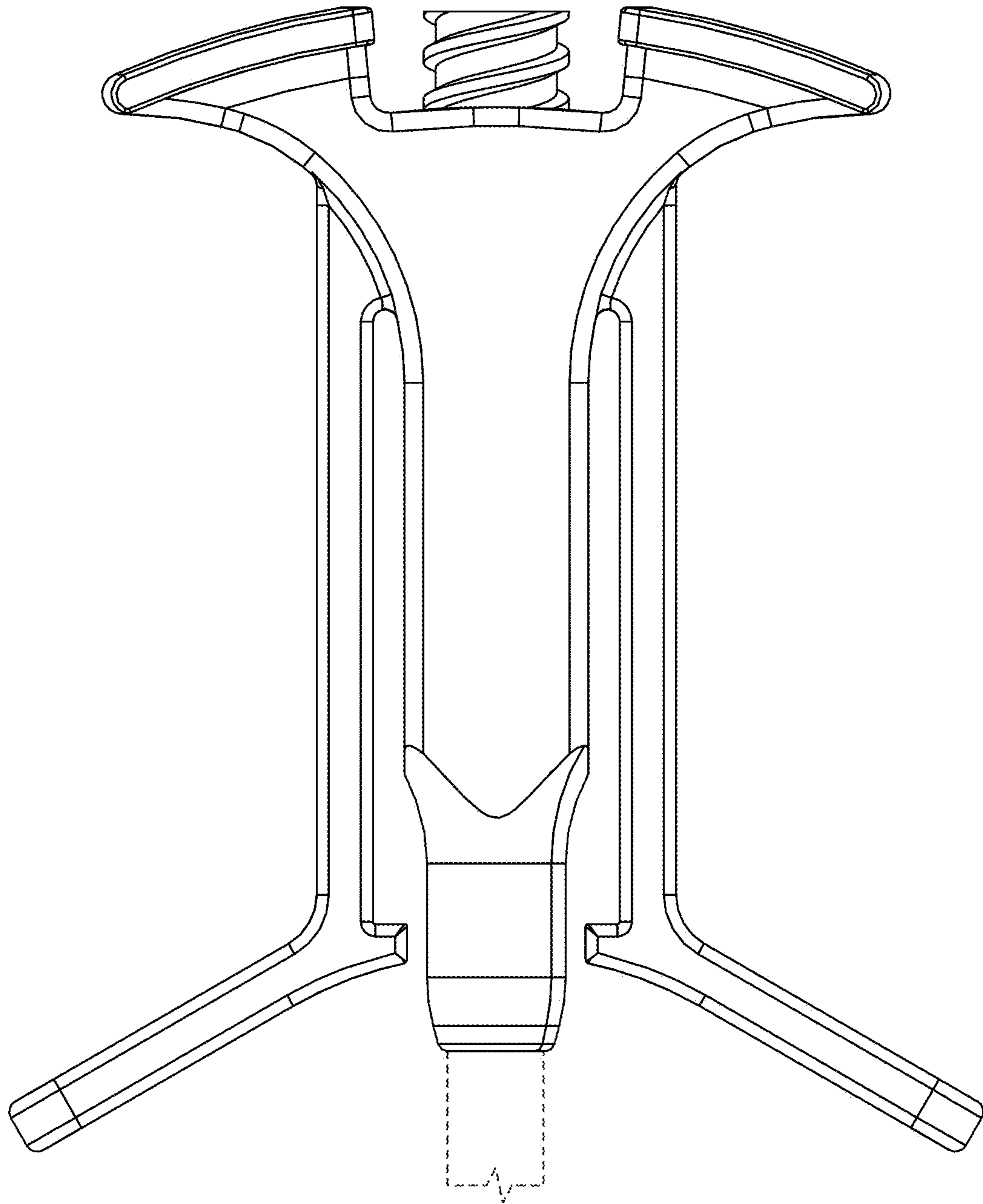


FIG. 2

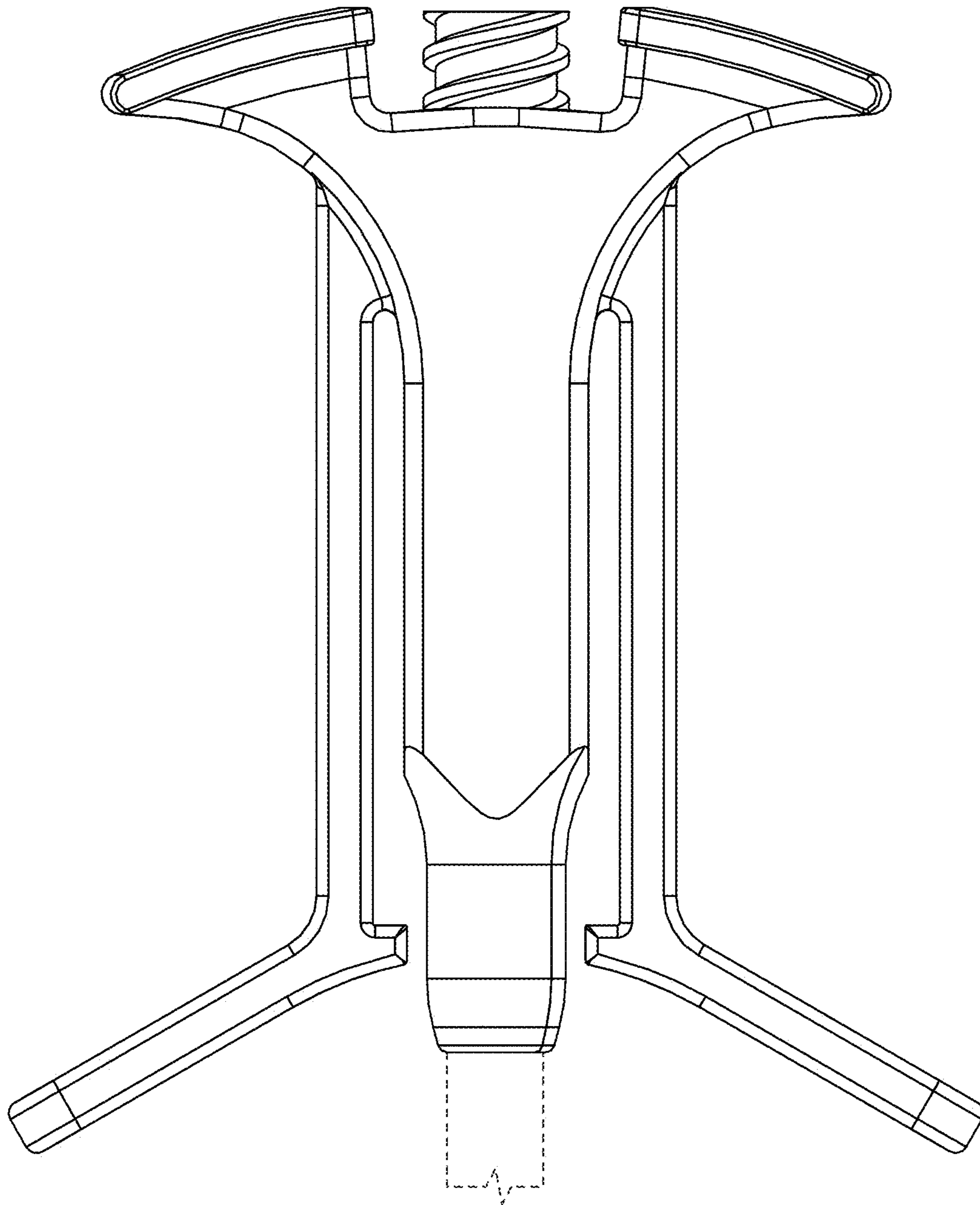


FIG. 3

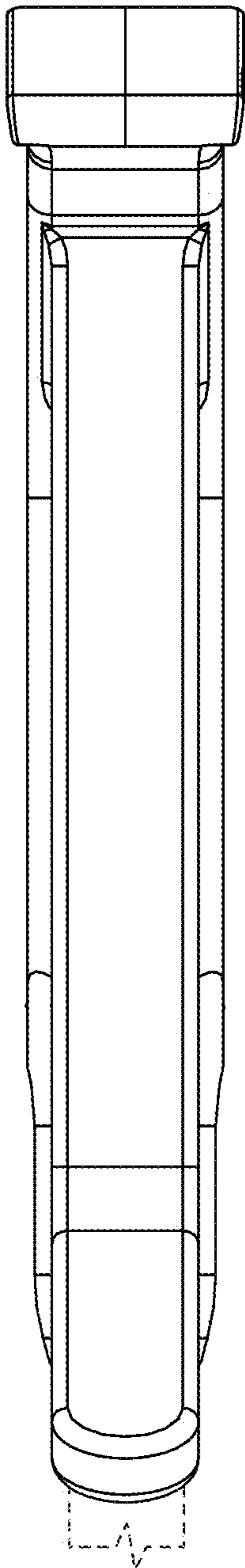


FIG. 4

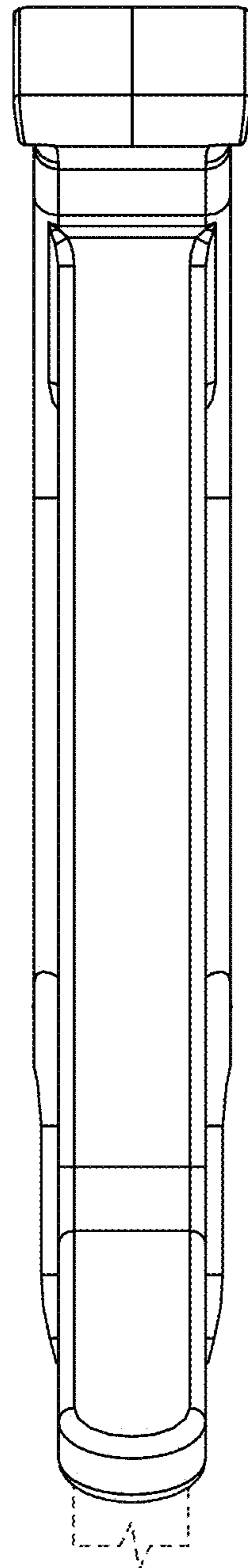


FIG. 5

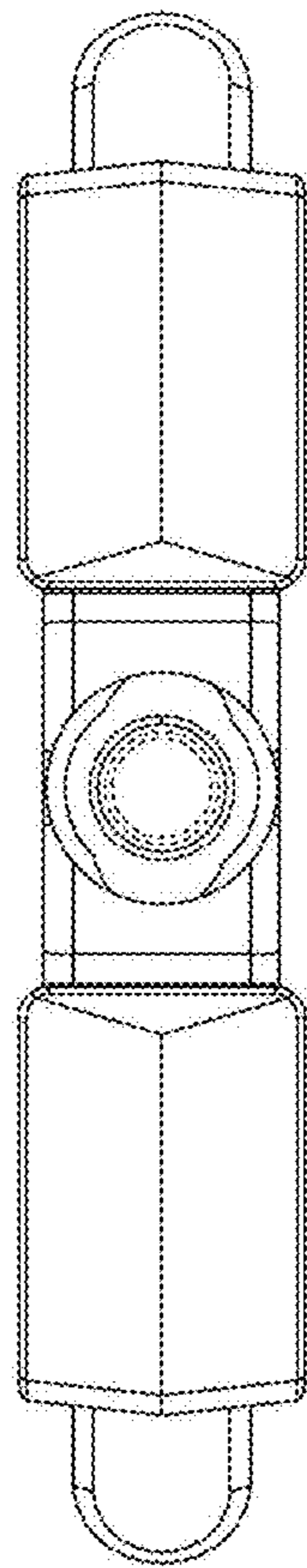


FIG. 6

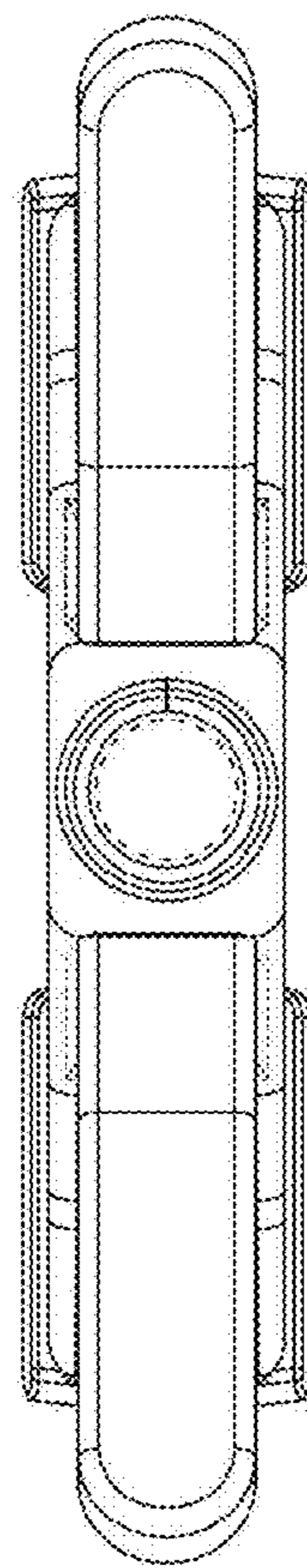


FIG. 7