



US00D963843S

(12) **United States Design Patent** (10) **Patent No.:** **US D963,843 S**
Park (45) **Date of Patent:** **** Sep. 13, 2022**

(54) **SYRINGE**
(71) Applicant: **Sun Kyung Park**, Seoul (KR)
(72) Inventor: **Sun Kyung Park**, Seoul (KR)
(**) Term: **15 Years**
(21) Appl. No.: **35/511,342**
(22) Filed: **Aug. 6, 2020**

D750,224 S *	2/2016	Miyano	D24/113
D759,244 S *	6/2016	Leugers	D24/146
D759,245 S *	6/2016	Leugers	D24/146
D765,243 S *	8/2016	Halbert	D24/133
D777,326 S *	1/2017	Sainsbury	D24/133
D777,914 S *	1/2017	Wapler	D24/133
D782,038 S *	3/2017	Nagele	D24/137
D806,245 S *	12/2017	Halbert	D24/133
D819,204 S *	5/2018	Halbert	D24/133
D865,964 S *	11/2019	Miller	D24/144
D873,411 S *	1/2020	Iturriaga	D24/113
D938,027 S *	12/2021	Zhang	D24/133

(80) **Hague Agreement Data**
Int. Filing Date: **Aug. 6, 2020**
Int. Reg. No.: **DM/212241**
Int. Reg. Date: **Aug. 6, 2020**
Int. Reg. Pub. Date: **Feb. 12, 2021**

OTHER PUBLICATIONS

Youtube. How to Make a Simple Syringe Gun at Home. Oct. 11, 2016. <https://www.youtube.com/watch?v=jIGcK3gyHTk> (Year: 2016).*

* cited by examiner

Primary Examiner — Darcey E Gottschalk
(74) *Attorney, Agent, or Firm* — Culhane Meadows PLLC; Robert Klinger

(30) **Foreign Application Priority Data**
Feb. 7, 2020 (KR) 30-2020-0005457

(51) **LOC (13) Cl.** **24-02**
(52) **U.S. Cl.**
USPC **D24/113**

(57) **CLAIM**

The ornamental design for a syringe, as shown and described.

(58) **Field of Classification Search**
USPC D24/112–115, 129–131, 133, 137, 140, D24/141, 144, 146, 147
CPC A61M 5/178; A61M 5/20; A61M 5/31; A61M 5/3146; A61M 5/3129; A61M 5/3148; A61M 5/315; A61M 3/00
See application file for complete search history.

DESCRIPTION

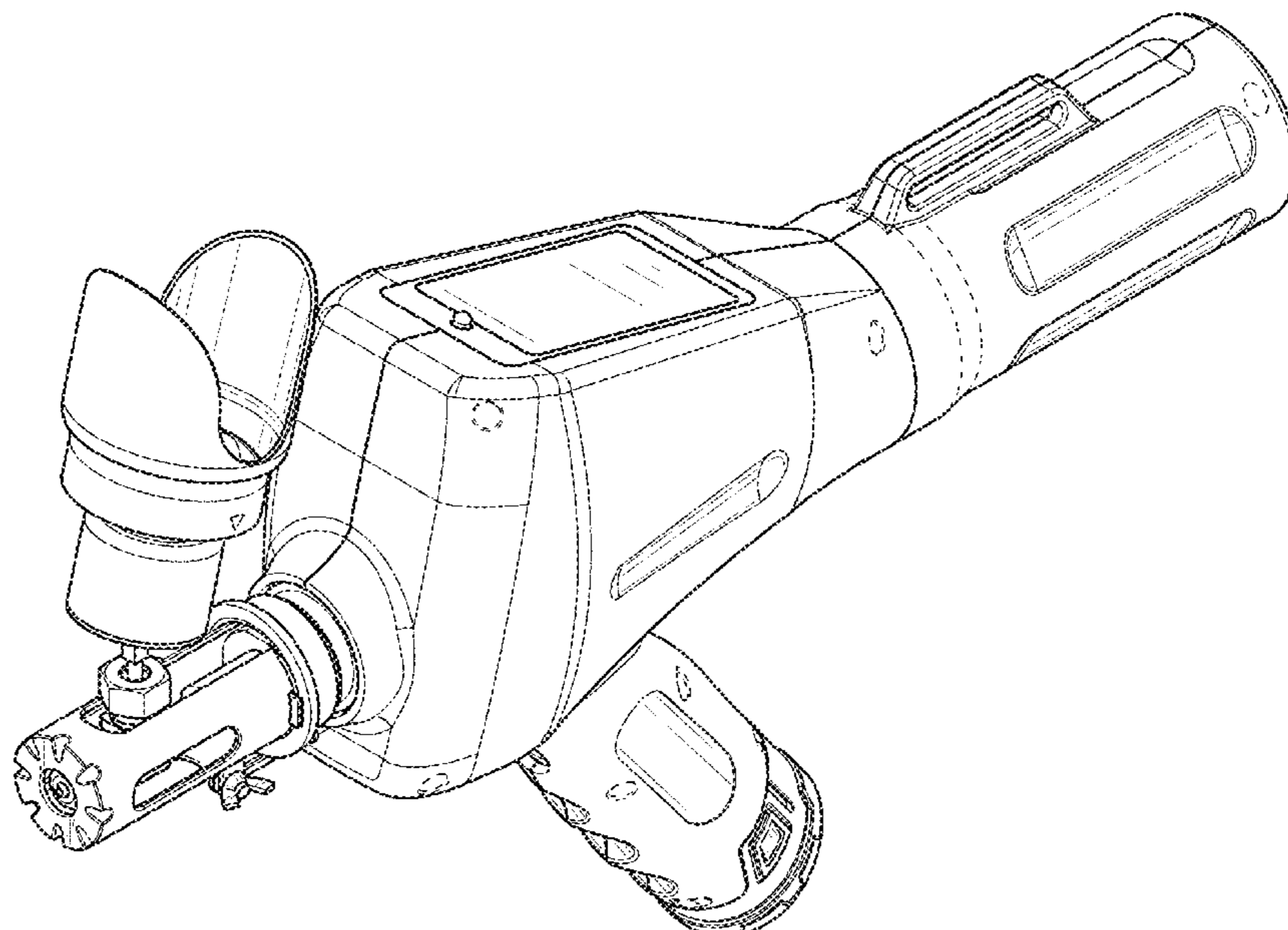
- 1. Syringe
- 1.1 : Perspective
- 1.2 : Front
- 1.3 : Back
- 1.4 : Left
- 1.5 : Right
- 1.6 : Top
- 1.7 : Bottom

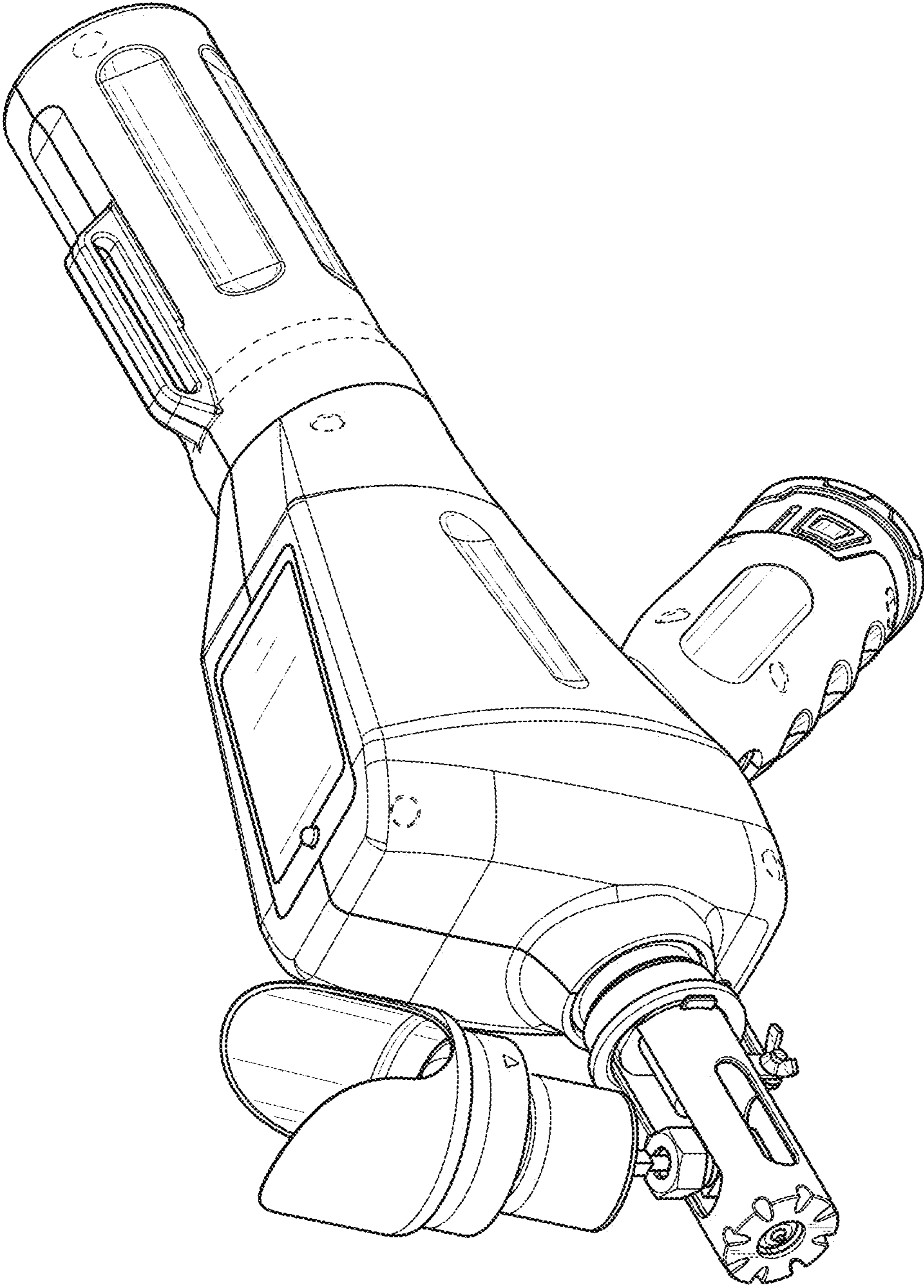
The broken lines depict portions of the syringe that form no part of the claim.

(56) **References Cited**
U.S. PATENT DOCUMENTS

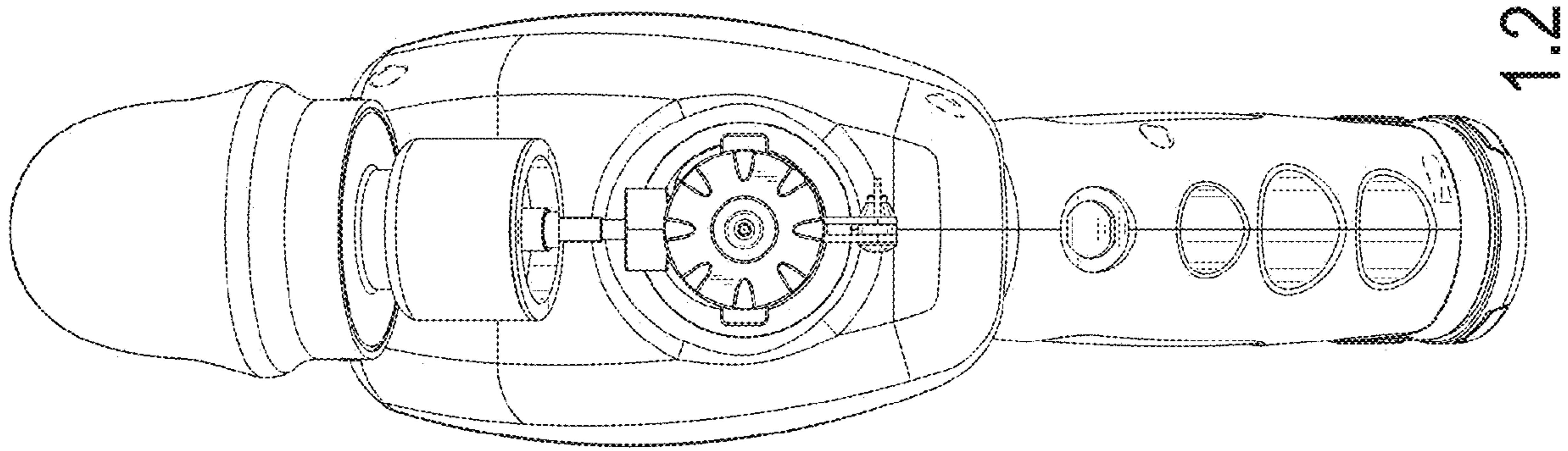
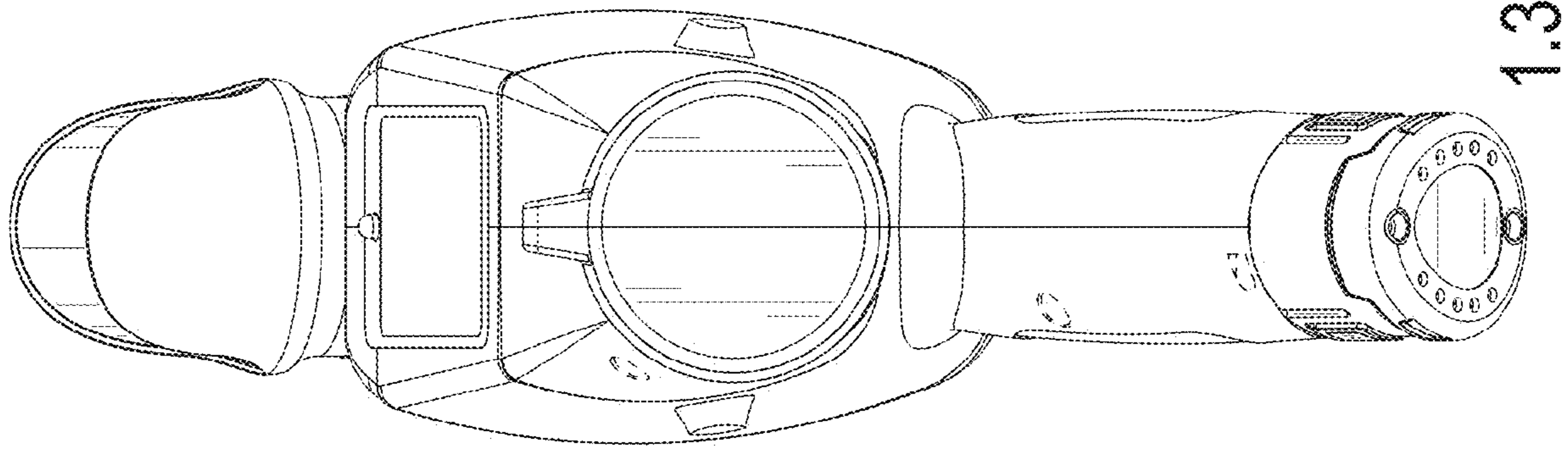
3,167,071 A *	1/1965	Venditty	A61M 5/30 604/70
D208,610 S *	9/1967	Parisi	D24/113
D277,134 S *	1/1985	Dragan	D24/114

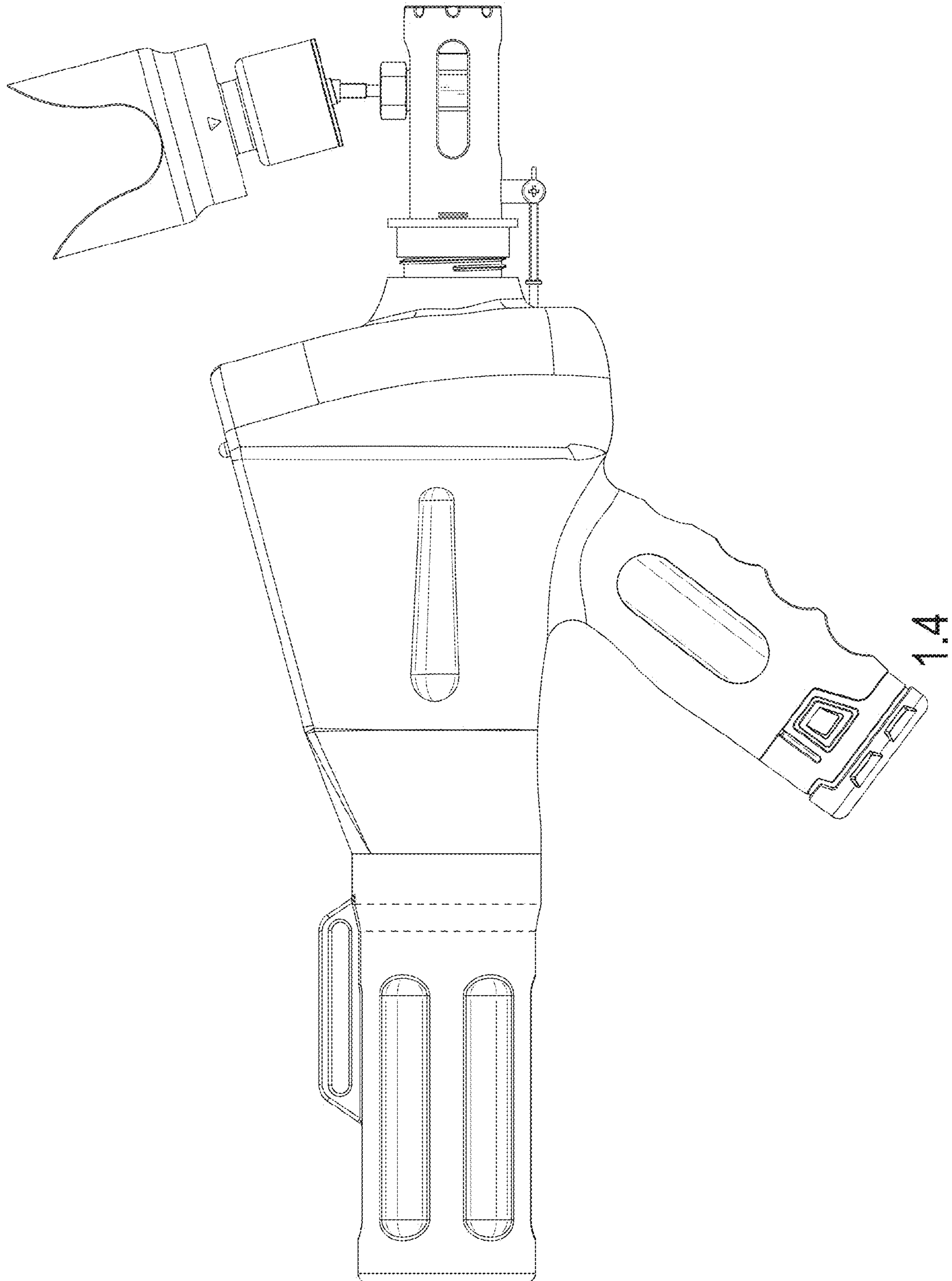
1 Claim, 5 Drawing Sheets

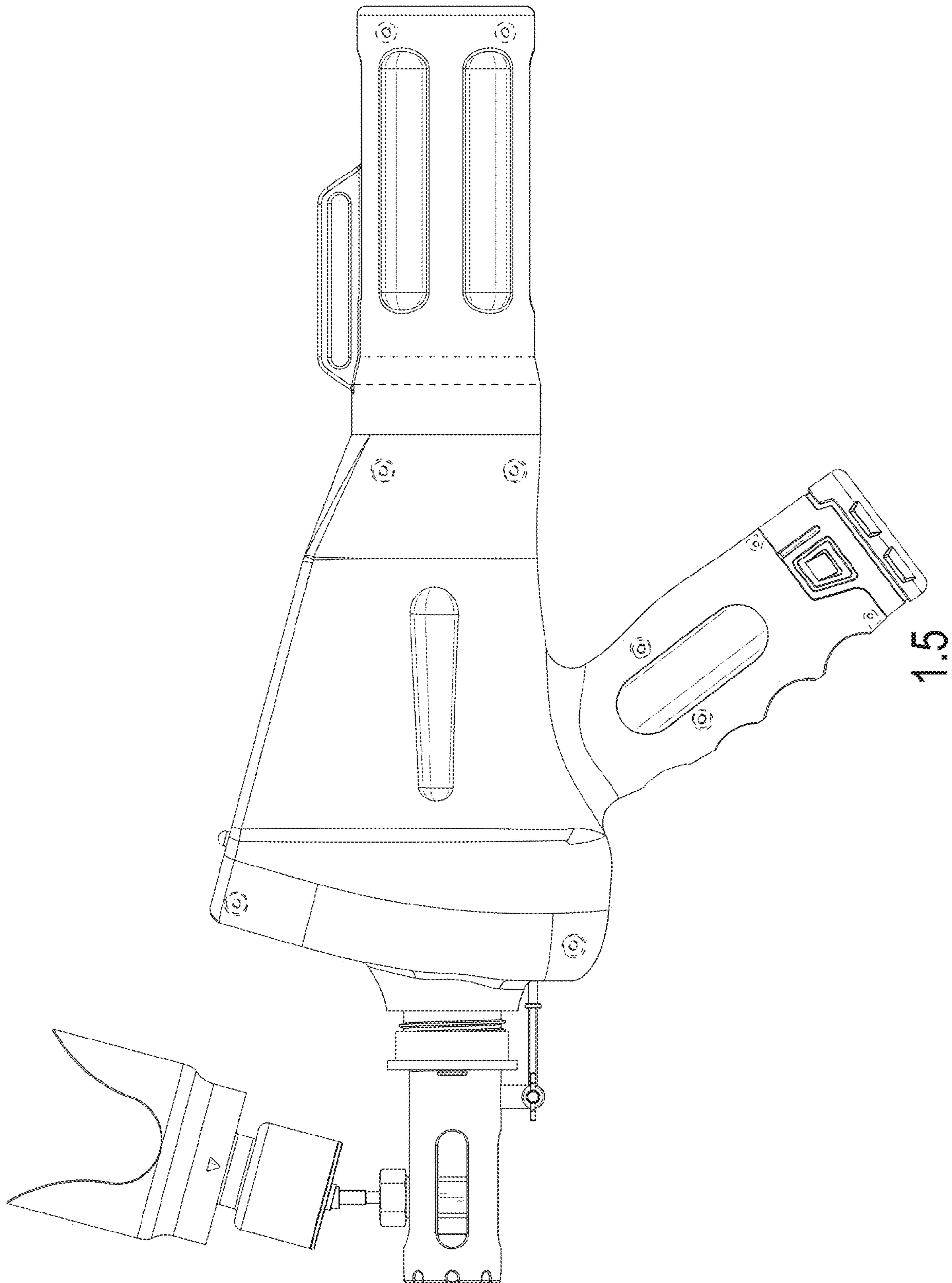


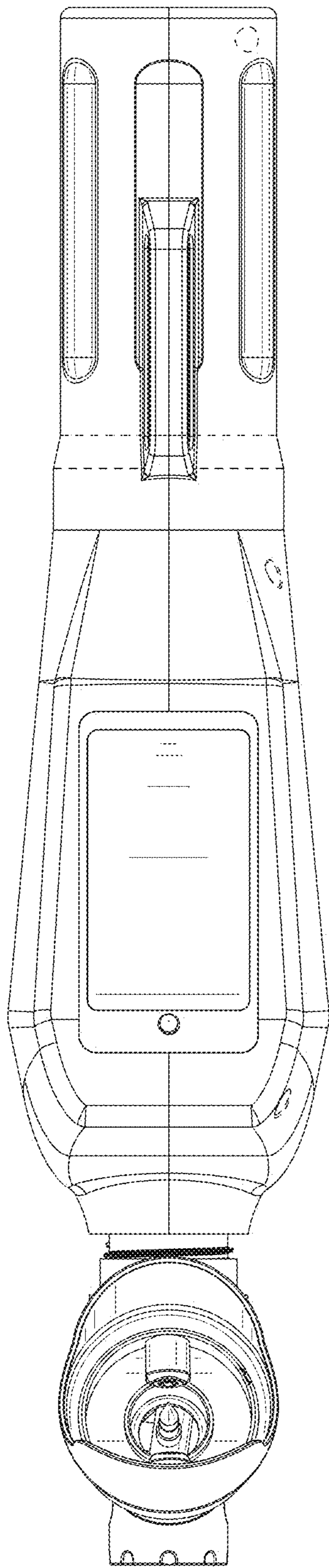


11

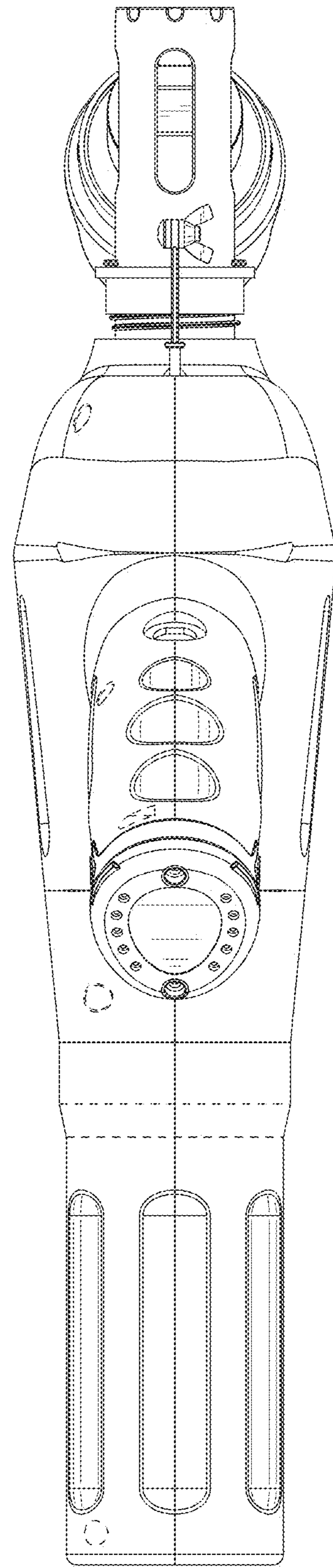








1.6



1.7