



US00D963842S

(12) **United States Design Patent**  
**Ratjen**

(10) **Patent No.:** **US D963,842 S**

(45) **Date of Patent:** **\*\* Sep. 13, 2022**

- (54) **MEDICAL INJECTOR WITH CAP**
- (71) Applicant: **SHL MEDICAL AG**, Zug (CH)
- (72) Inventor: **Jochen Ratjen**, Nacka (SE)
- (73) Assignee: **SHL MEDICAL AG**, Zug (CH)
- (\*\*) Term: **15 Years**

- (21) Appl. No.: **29/734,370**
- (22) Filed: **May 12, 2020**
- (51) **LOC (13) Cl.** ..... **24-02**
- (52) **U.S. Cl.**  
USPC ..... **D24/113**
- (58) **Field of Classification Search**  
USPC ..... D24/104, 107, 108, 112–114, 117–119,  
D24/127, 130, 133, 186; 604/181, 184,  
604/187, 264, 227, 272; 606/181, 185  
CPC ..... A61M 5/14546; A61M 5/007; A61M  
5/14566; A61M 5/31515; A61M  
2205/583; A61M 5/31535; A61M  
2005/206; A61M 2005/208; A61M  
2005/14268; A61M 2005/341; A61M  
2209/045; A61M 5/1413; A61M 5/14244;  
A61M 5/14248; A61M 5/165; A61M  
5/36; A61M 5/38; A61M 5/24  
See application file for complete search history.

(56) **References Cited**  
U.S. PATENT DOCUMENTS

- D419,671 S \* 1/2000 Jansen ..... A61M 5/31535  
D24/112
- 7,507,223 B2 \* 3/2009 Fontana ..... A61M 31/00  
222/391
- D621,500 S \* 8/2010 Sanders ..... D24/113
- D758,566 S \* 6/2016 Chen ..... D24/113
- 9,827,374 B2 \* 11/2017 Cowe ..... A61M 5/46
- 10,265,476 B2 \* 4/2019 Laiosa ..... A61M 5/3129
- D878,564 S \* 3/2020 Clawson ..... D24/113
- D886,281 S \* 6/2020 Boyaval ..... D24/113

- D898,900 S \* 10/2020 Atterbury ..... D24/113
- D903,856 S \* 12/2020 Nicholas ..... D24/113
- D908,868 S \* 1/2021 Rogge ..... A61P 25/06  
D24/113
- D920,500 S \* 5/2021 He ..... A61M 5/46  
D24/112

(Continued)

**OTHER PUBLICATIONS**

[4 Important Things To Consider Before Developing A Drug Delivery Device], available on pharmaceuticalonline.com, by Michael Song, Ph.D., Published [Aug. 6, 2019] [online], [site visited Dec. 9, 2021], Internet URL: <<https://www.pharmaceuticalonline.com/doc/important-things-to-consider-before-developing-a-drug-delivery-device-0001>>. (Year: 2019).\*

(Continued)

*Primary Examiner* — Jonathan J Han  
*Assistant Examiner* — Amanda J Berlinski  
(74) *Attorney, Agent, or Firm* — McDonnell Boehnen Hulbert & Berghoff LLP

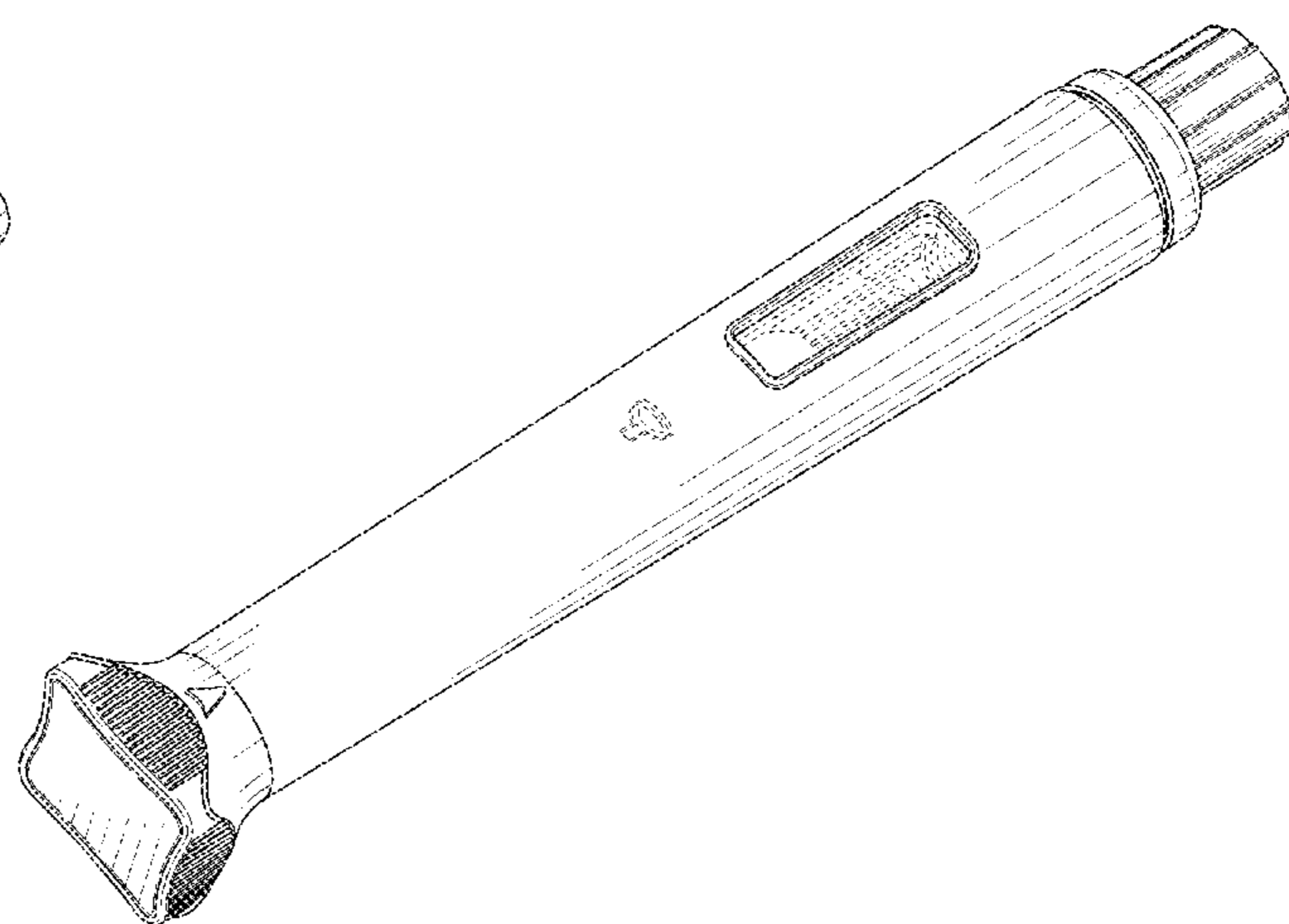
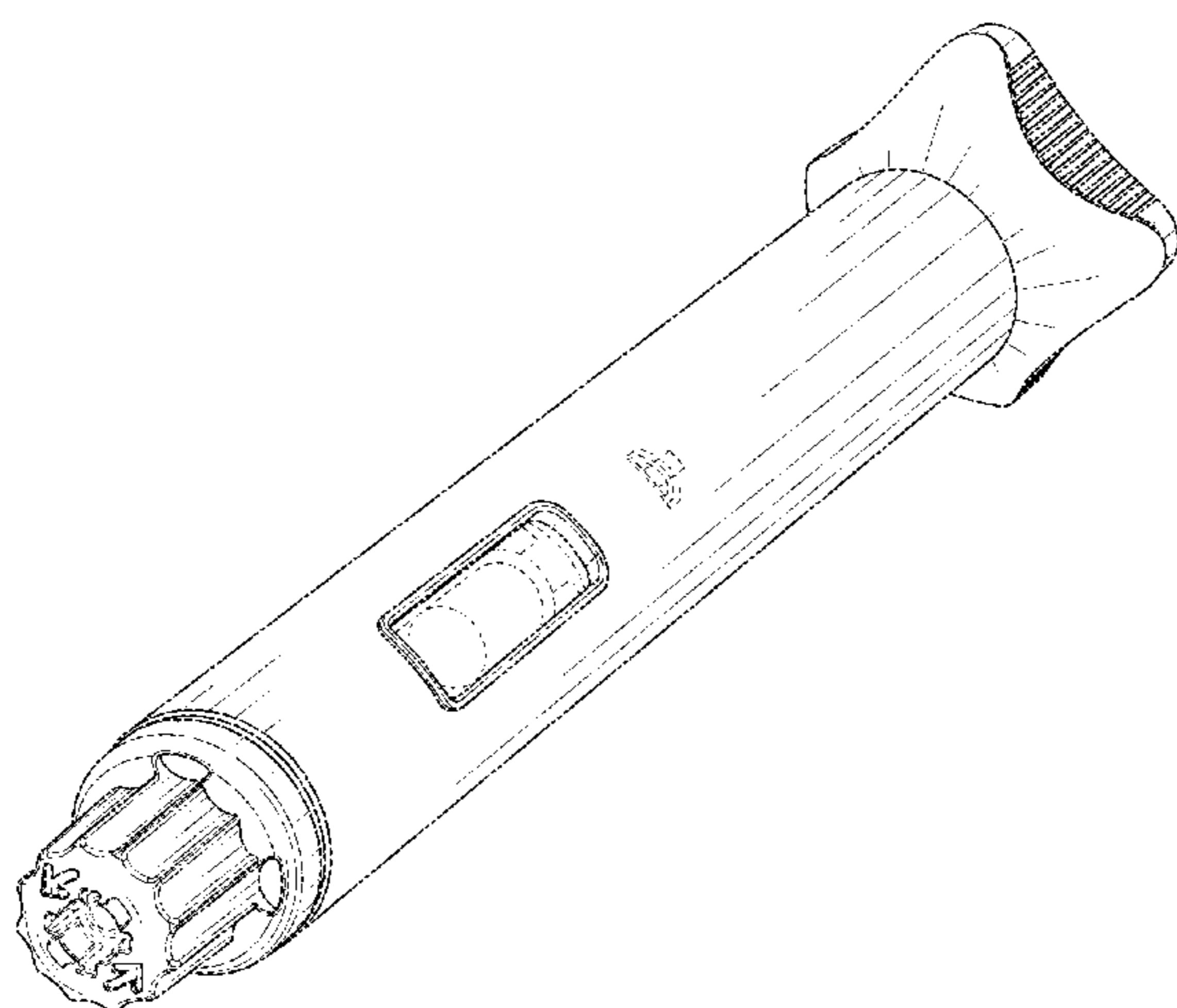
(57) **CLAIM**

I claim the ornamental design for a medical injector with cap, as shown and described.

**DESCRIPTION**

FIG. 1 is a front, top perspective view of a medical injector with cap;  
FIG. 2 is a rear, bottom, and right side perspective view thereof;  
FIG. 3 is a top plan view thereof;  
FIG. 4 is a left side elevation view thereof;  
FIG. 5 is a front elevation view thereof; and,  
FIG. 6 is a rear elevation view thereof.  
The broken lines showing portions of the medical injector with cap are for illustration purposes only and form no part of the claimed design.

**1 Claim, 4 Drawing Sheets**



(56)

**References Cited**

U.S. PATENT DOCUMENTS

D922,566 S \* 6/2021 Ono ..... A61M 5/3129  
D24/112  
D926,969 S \* 8/2021 Dennisur ..... A61M 31/00  
D24/113  
11,083,712 B1 \* 8/2021 Solarski ..... A61P 25/06  
D934,413 S \* 10/2021 Nicholas ..... A61M 5/24  
D24/113  
D936,824 S \* 11/2021 Donnelly ..... A61M 5/3202  
D24/113  
2012/0130316 A1 \* 5/2012 Boyd ..... A61M 5/24  
604/189  
2020/0108211 A1 \* 4/2020 Jacobsen ..... A61M 5/326  
2020/0188611 A1 \* 6/2020 Ratjen ..... A61M 5/3202  
2021/0093796 A1 \* 4/2021 Finkelstein ..... A61M 5/2033  
2021/0146057 A1 \* 5/2021 King ..... A61M 5/31535

OTHER PUBLICATIONS

[30 Years in the Making—An Inside Perspective on the Emergence of Autoinjectors], available on ONdrugDelivery Magazine, Issue 101 (Oct. 2019), pp. 20-23, by McGowan M, published Oct. 2, 2019 [online], [site visited Dec. 7, 2021], Internet URL: <[https://www.ondrugdelivery.com/wp-content/uploads/2019/09/101\\_2019\\_SHL\\_article.pdf](https://www.ondrugdelivery.com/wp-content/uploads/2019/09/101_2019_SHL_article.pdf)>. (Year: 2019).\*

\* cited by examiner

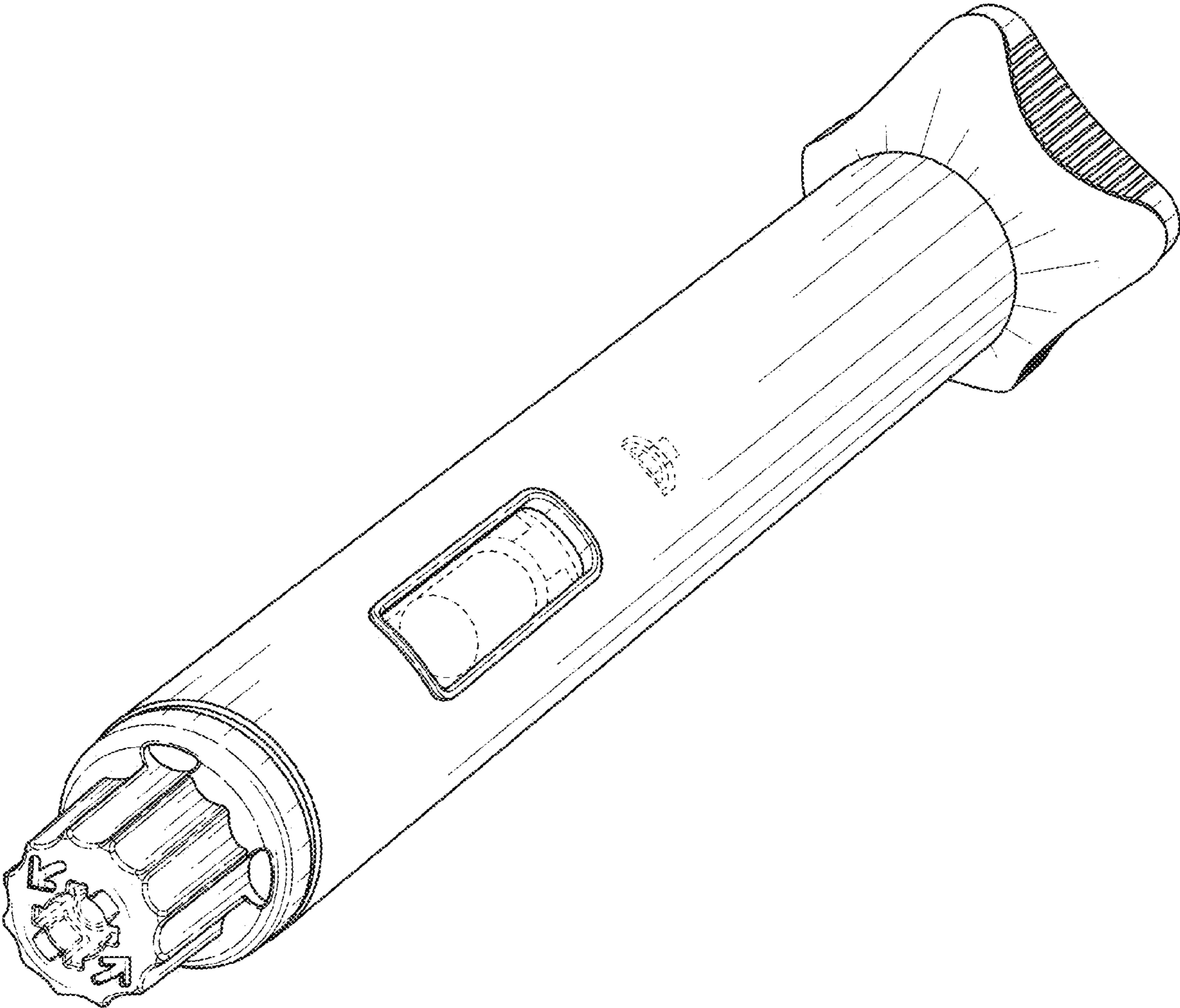


FIG. 1

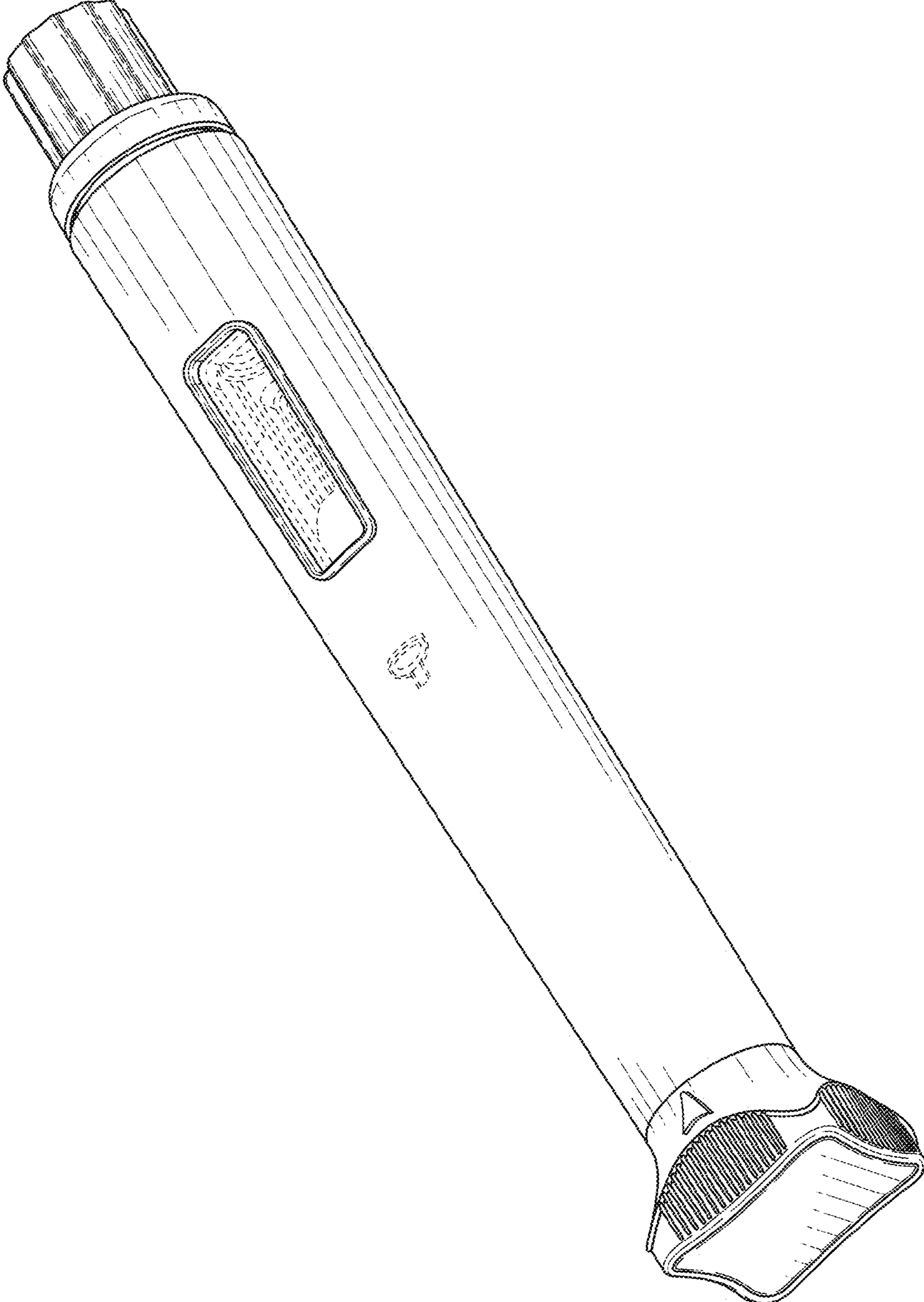


FIG. 2

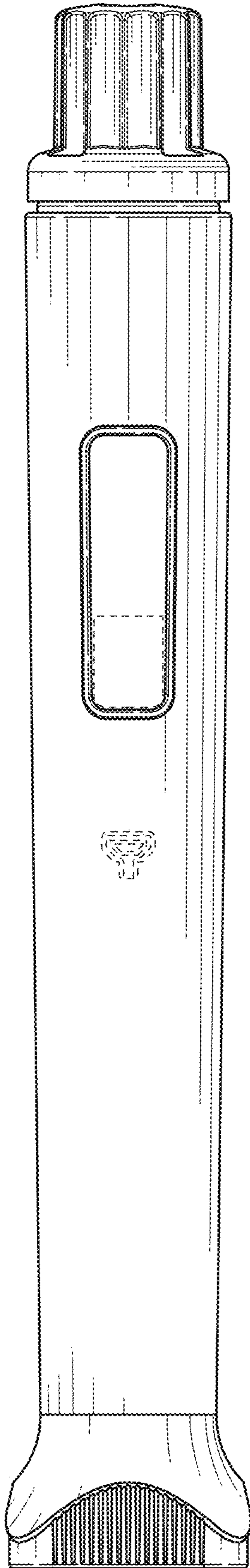


FIG. 3

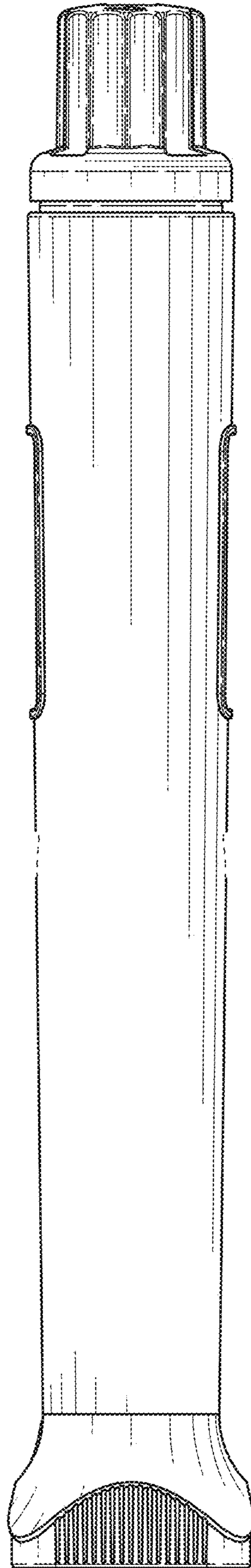


FIG. 4

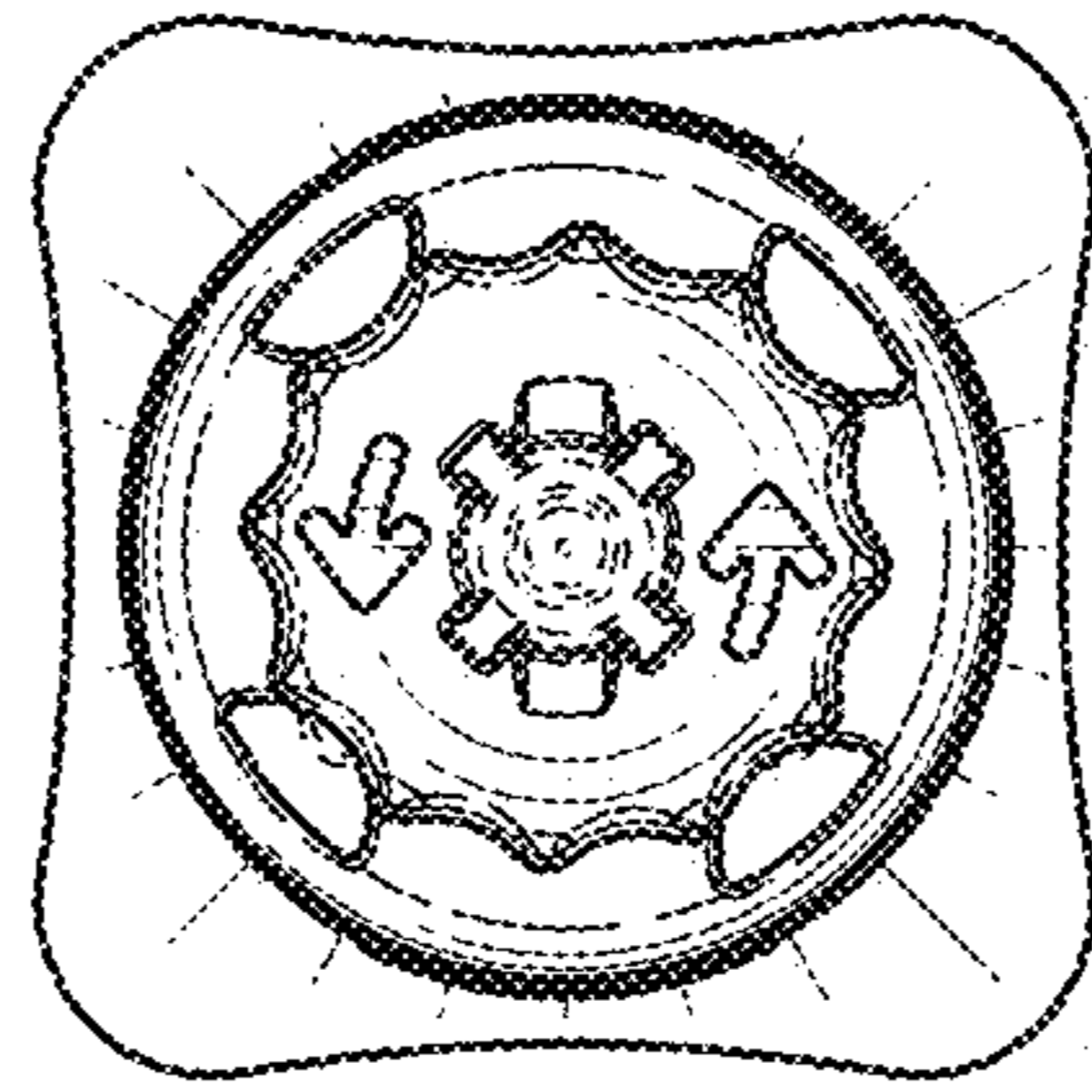


FIG. 5

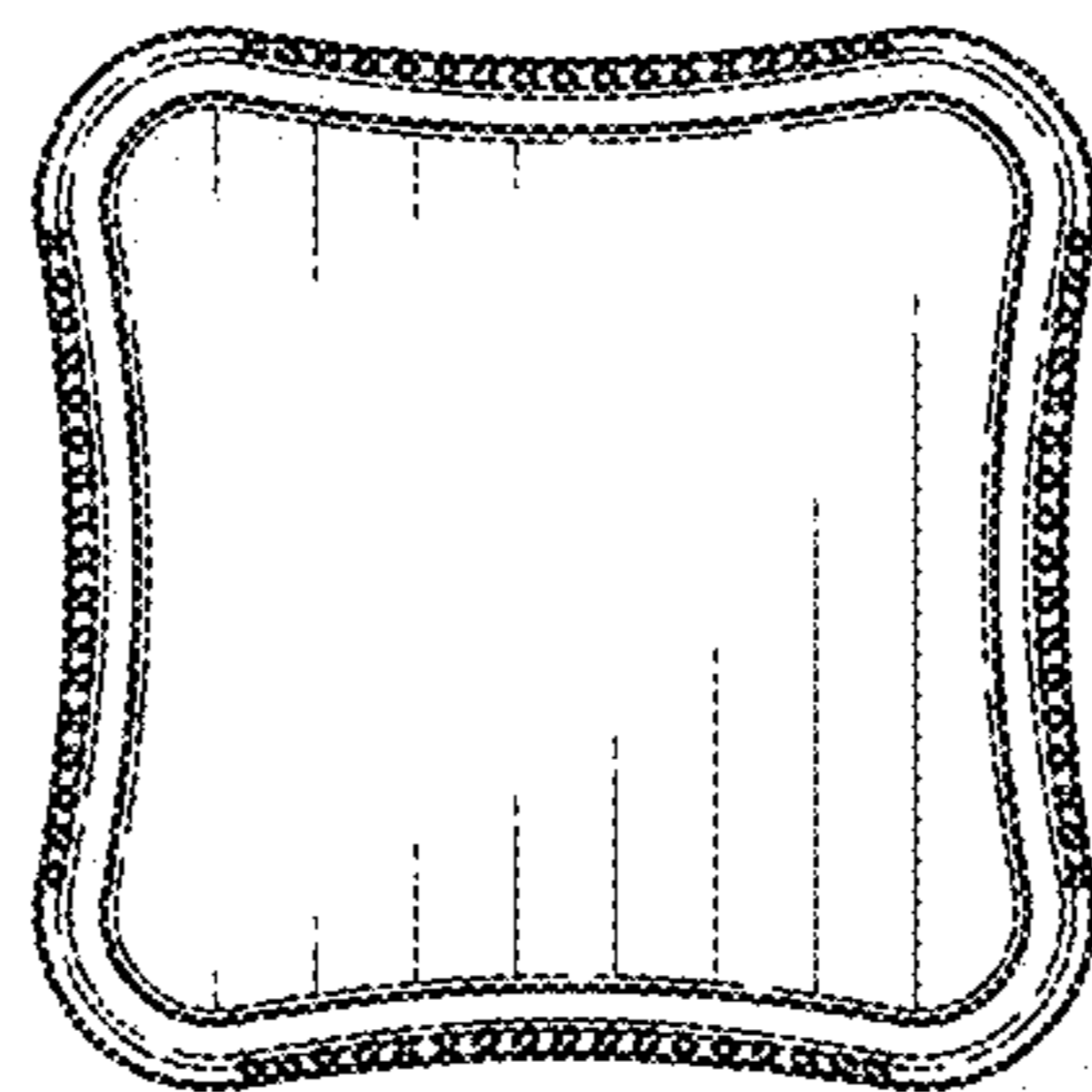


FIG. 6