



US00D963838S

(12) **United States Design Patent** (10) **Patent No.:** **US D963,838 S**
Yoon (45) **Date of Patent:** **** Sep. 13, 2022**

(54) **FACEMASK**

(71) Applicant: **Jung Rok Yoon**, Seoul (KR)

(72) Inventor: **Jung Rok Yoon**, Seoul (KR)

(**) Term: **15 Years**

(21) Appl. No.: **29/737,895**

(22) Filed: **Jun. 12, 2020**

(51) **LOC (13) Cl.** **29-02**

(52) **U.S. Cl.**

USPC **D24/110.1**; D29/108

(58) **Field of Classification Search**

USPC D24/110.1; D29/108

CPC . A41D 13/11; A41D 13/1107; A41D 13/1115;
A41D 13/1123; A41D 13/113; A41D
13/1138; A41D 13/1146; A41D 13/1153;
A41D 13/1161; A41D 13/1169; A41D
13/1176; A61M 16/06; A62B 18/00;
A62B 18/02; A62B 18/025; A62B 23/00

See application file for complete search history.

(56) **References Cited**

U.S. PATENT DOCUMENTS

D270,110 S *	8/1983	Moore	128/201.15
D759,718 S *	6/2016	Adler	D14/492
D912,801 S *	3/2021	Mills	D24/110.1
D928,304 S *	8/2021	Yu	D24/110.1
11,246,359 B1 *	2/2022	Coates	A41D 13/1161
D952,832 S *	5/2022	Yoon	D29/108
2006/0174890 A1 *	8/2006	Cheng	A41D 13/11 128/206.19
2009/0320849 A1 *	12/2009	Biedermann	D06M 15/263 128/206.28
2010/0031962 A1 *	2/2010	Chiu	A41D 13/1161 128/206.19
2011/0220109 A1 *	9/2011	Chiu	A41D 13/1161 128/206.19
2020/0305520 A1 *	10/2020	Belk	A41D 13/1161

2021/0153575 A1 *	5/2021	Hong	A41D 13/1161
2021/0345713 A1 *	11/2021	Yates	A41D 13/11
2022/0015469 A1 *	1/2022	Markarian	A41D 13/1161

(Continued)

FOREIGN PATENT DOCUMENTS

CN	301349225	*	9/2010
CN	304062814	*	3/2017
CN	304615311	*	5/2018

(Continued)

OTHER PUBLICATIONS

EnerPlex (available [online] May 8, 2020) Retrieved from internet Feb. 11, 2022 from URL: <https://www.amazon.com/EnerPlex-Premium-3-Ply-Reusable-Face/dp/B088C2WD5F/> (Year: 2020).*

Primary Examiner — Richard Kearney

Assistant Examiner — Michael Hoffman

(74) *Attorney, Agent, or Firm* — Acuity IP, LLC; Nathan S. Cassell

(57) **CLAIM**

The ornamental design for a facemask, as shown and described.

DESCRIPTION

FIG. 1 is a front perspective view of a facemask showing my new design;

FIG. 2 is a front elevational view thereof;

FIG. 3 is a rear elevational view thereof;

FIG. 4 is a right side elevational view thereof;

FIG. 5 is a left side elevational view thereof;

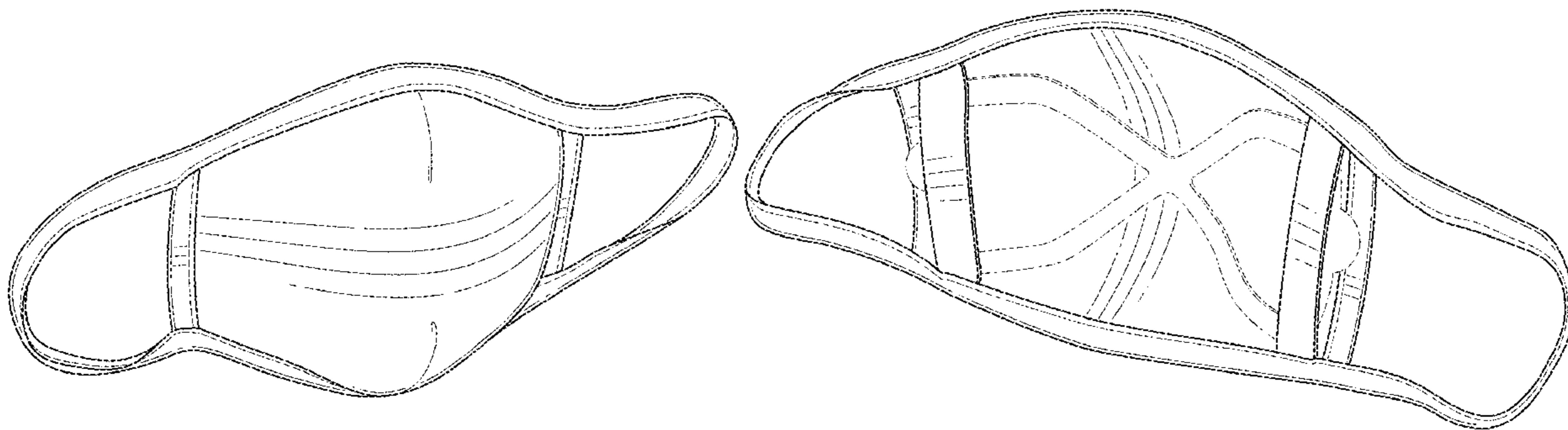
FIG. 6 is a top plan view thereof;

FIG. 7 is a bottom plan view thereof; and,

FIG. 8 is a rear perspective view thereof.

The uneven-length broken lines depict environmental structure and form no part of the claimed design. The even-length broken lines represent stitching and form no part of the claimed design.

1 Claim, 8 Drawing Sheets



(56)

References Cited

U.S. PATENT DOCUMENTS

2022/0023828 A1* 1/2022 Qian B01D 46/0032
2022/0047012 A1* 2/2022 Swisher A41D 13/113

FOREIGN PATENT DOCUMENTS

CN 305924093 * 7/2020
IN 356065-001-0001 * 3/2022
JP D1665827 * 8/2020

* cited by examiner

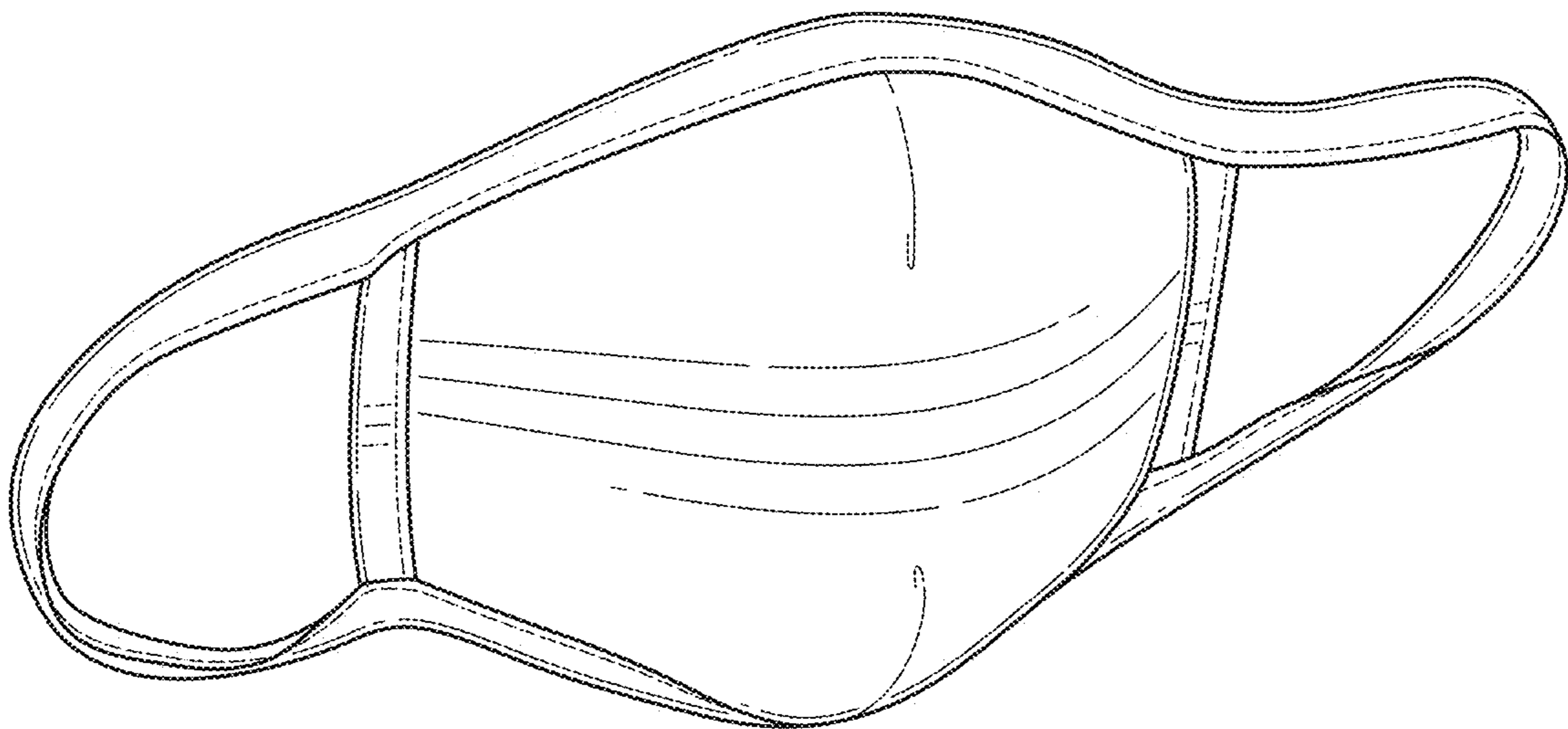


FIG. 1

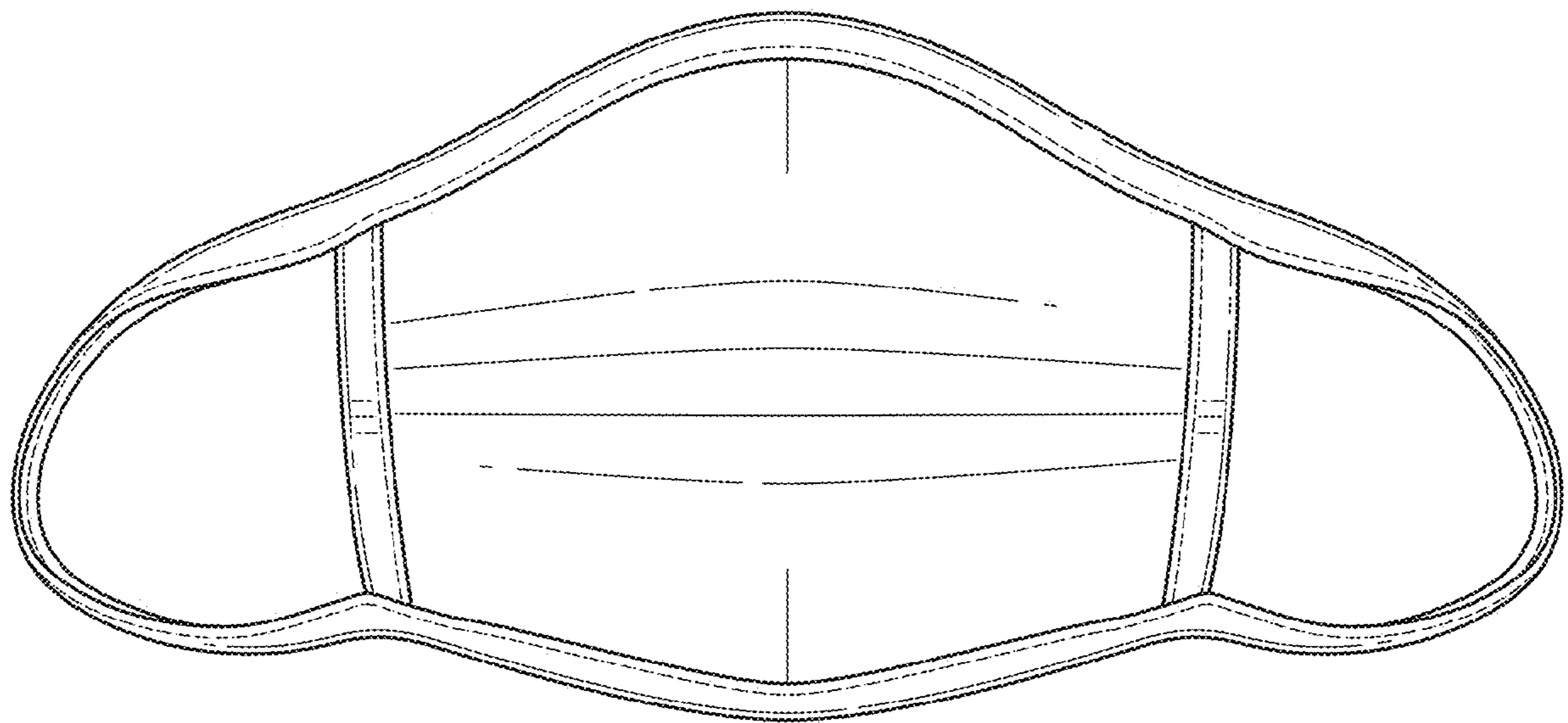


FIG. 2

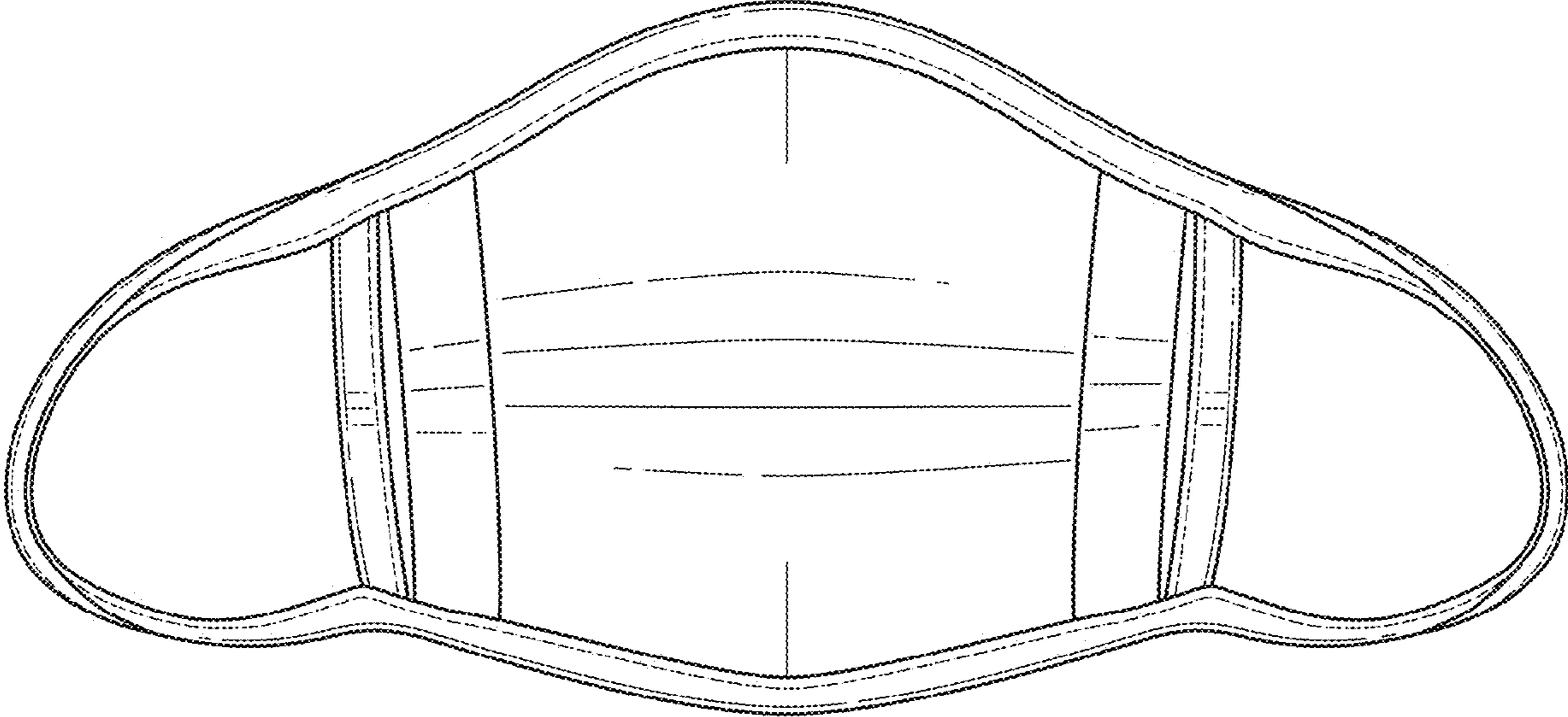


FIG. 3

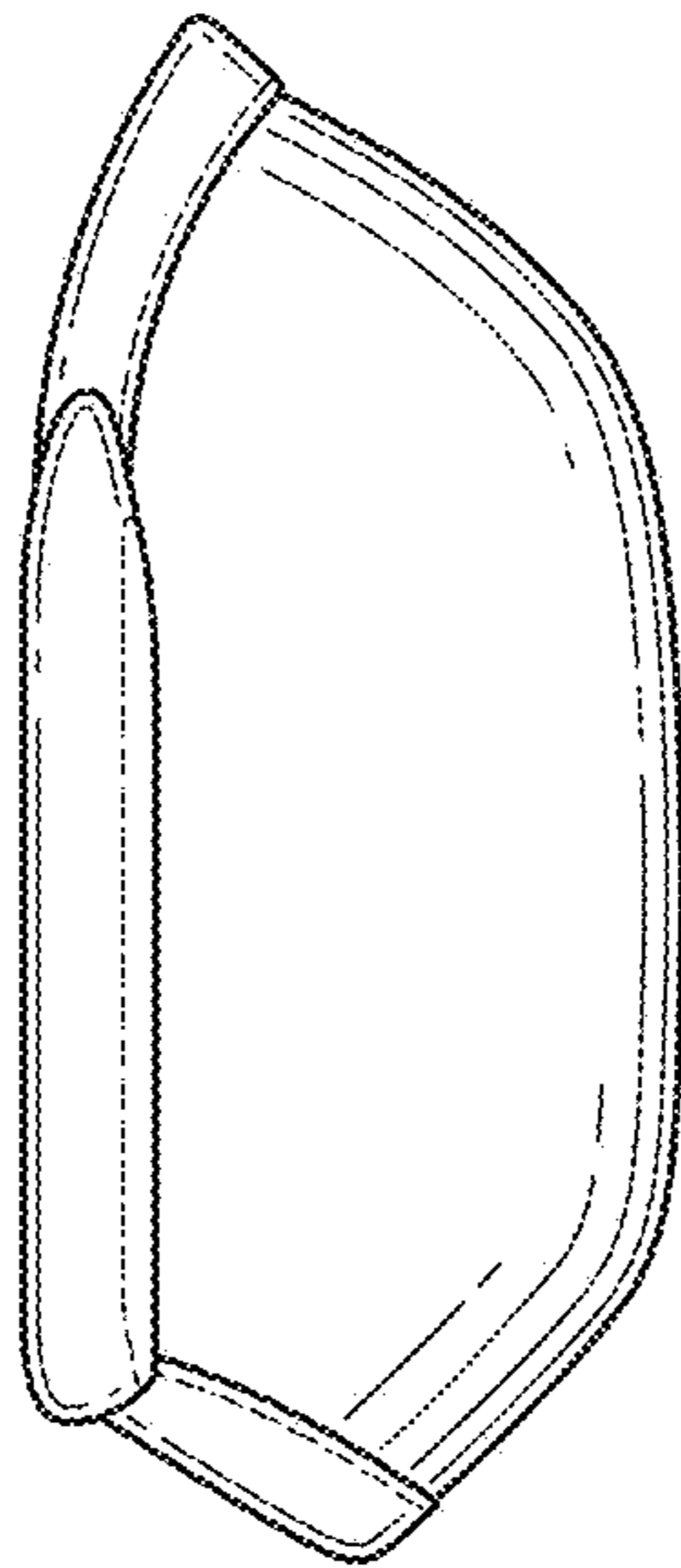


FIG. 4

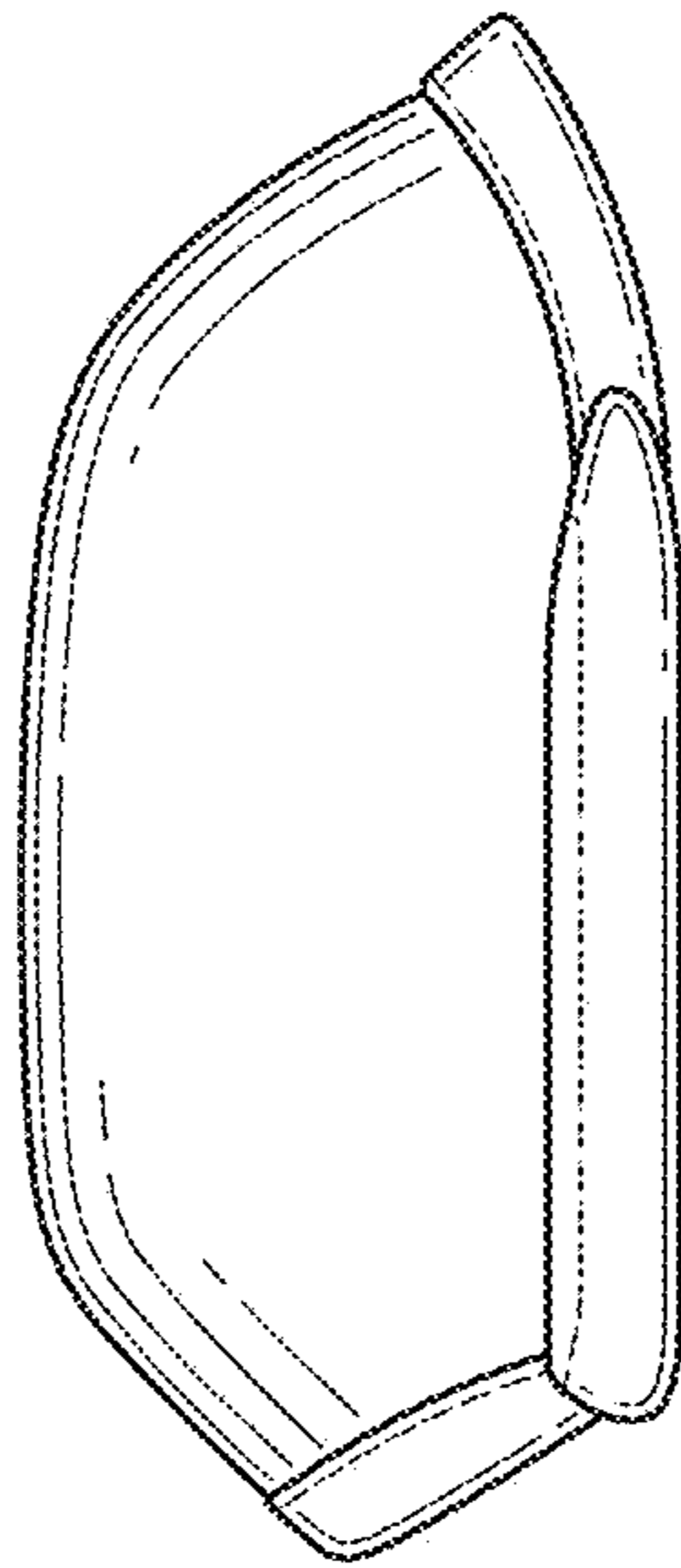


FIG. 5

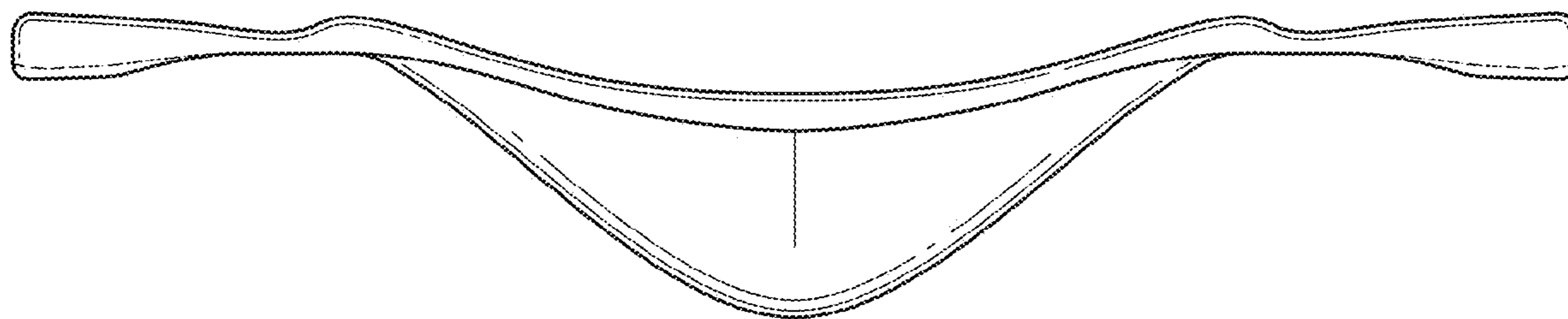


FIG. 6

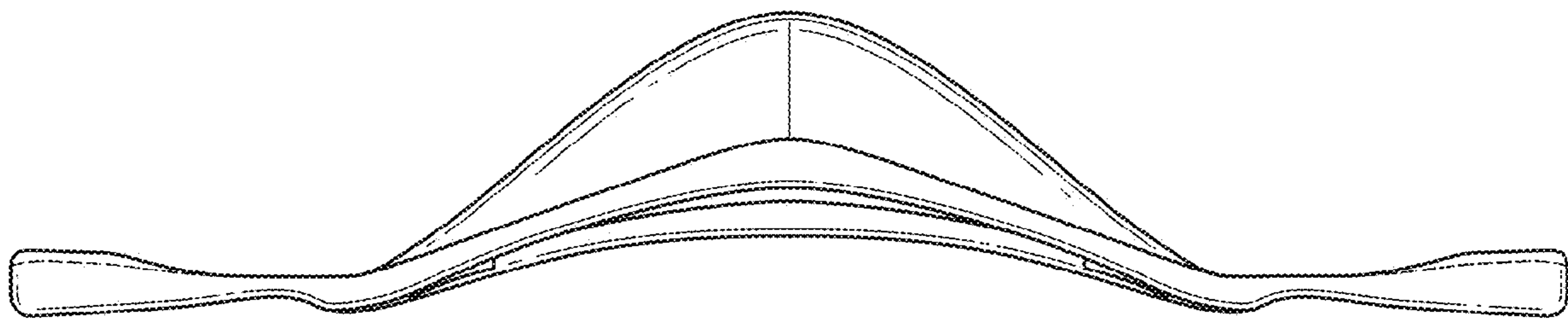


FIG. 7

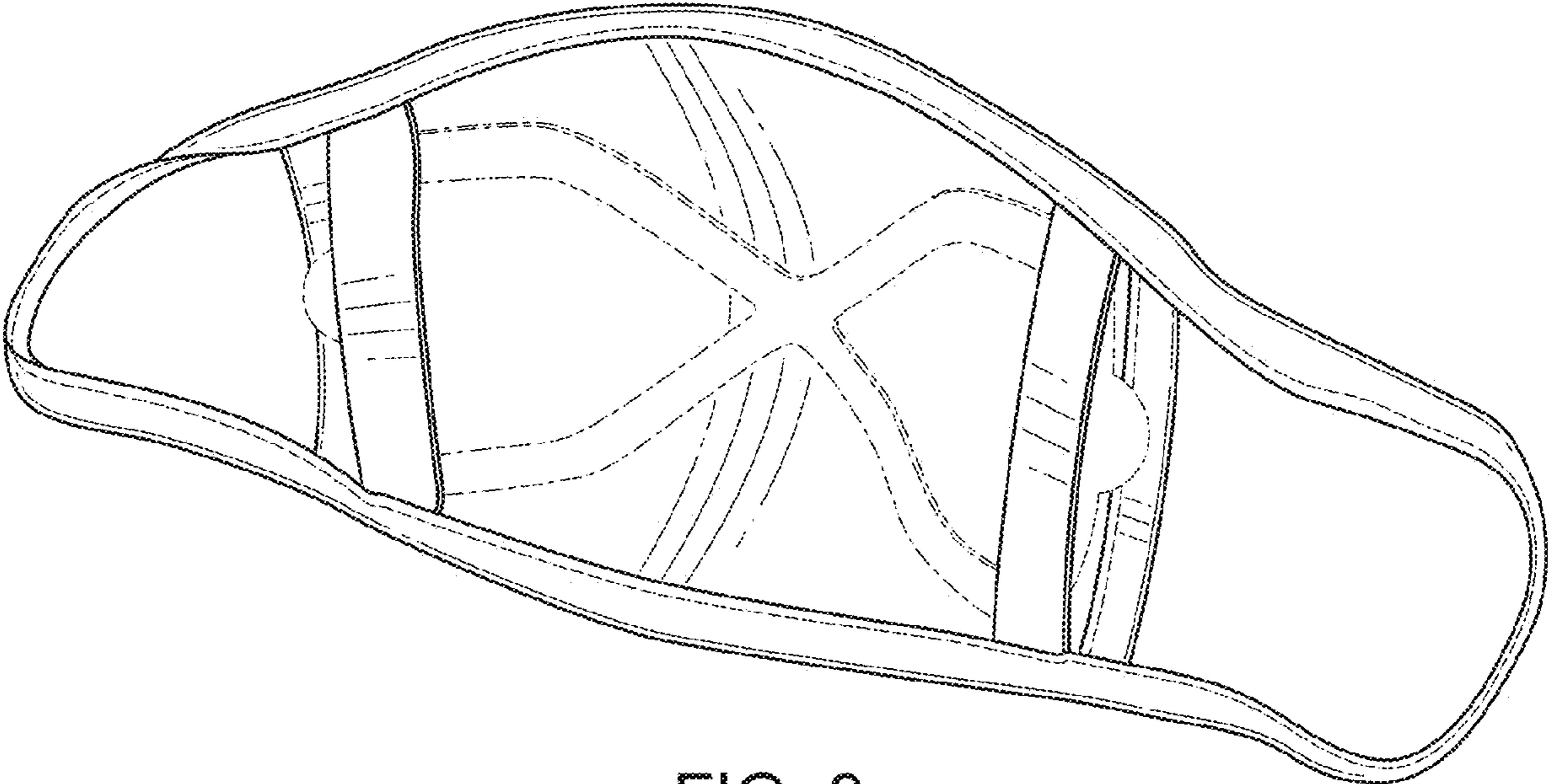


FIG. 8