



US00D963833S

(12) **United States Design Patent** (10) **Patent No.:** **US D963,833 S**  
**Williams et al.** (45) **Date of Patent:** **\*\* \*Sep. 13, 2022**

(54) **WATER HEATER AIR DUCT ADAPTER**

D441,856 S \* 5/2001 Wettergren ..... D23/328  
D488,859 S \* 4/2004 Stout, Jr. .... D23/393  
D513,072 S \* 12/2005 Berg ..... D23/386

(71) Applicant: **Rheem Manufacturing Company,**  
Atlanta, GA (US)

(Continued)

(72) Inventors: **Alex Williams,** Montgomery, AL (US);  
**Jeremy Gagnon,** Montgomery, AL  
(US); **Piyush Porwal,** Montgomery, AL  
(US)

**OTHER PUBLICATIONS**

AC Infinity Duct Adapter, Jan. 21, 2020, Amazon, site visited Dec.  
11, 2021: <https://www.amazon.com/dp/B0842XMBYC/> (Year: 2020).\*

(Continued)

(73) Assignee: **Rheem Manufacturing Company,**  
Atlanta, GA (US)

*Primary Examiner* — Jack Reickel

*Assistant Examiner* — Bobby W Jones, II

(\*) Notice: This patent is subject to a terminal dis-  
claimer.

(74) *Attorney, Agent, or Firm* — Eversheds Sutherland  
(US) LLP

(\*\*) Term: **15 Years**

(57) **CLAIM**

The ornamental design for a water heater air duct adapter, as  
shown and described.

(21) Appl. No.: **29/739,319**

(22) Filed: **Jun. 24, 2020**

**DESCRIPTION**

(51) **LOC (13) Cl.** ..... **23-03**

(52) **U.S. Cl.**  
USPC ..... **D23/393**

(58) **Field of Classification Search**  
USPC ..... D23/259, 260, 318, 322, 343, 347, 348,  
D23/354, 355, 370, 371, 373, 381, 382,  
D23/385, 386, 387, 388, 389, 390, 392,  
D23/393, 415

FIG. 1 is a front perspective view of a water heater air duct  
adapter showing our new design.

FIG. 2 is a front view thereof.

FIG. 3 is a rear view thereof.

FIG. 4 is a left view thereof.

FIG. 5 is a right view thereof.

FIG. 6 is a top view thereof.

FIG. 7 is a bottom view thereof.

FIG. 8 is a front perspective view thereof, showing the water  
heater air duct adapter in an open configuration, for clarity  
of illustration; and,

FIG. 9 is a front view thereof, showing the water heater air  
duct adapter in an open configuration, for clarity of illus-  
tration.

The broken line showing of a water heater air duct adapter  
is included for the purposes of illustrating portions of the  
article and forms no part of the claimed design. The dot-  
dash broken lines define the bounds of the claimed design  
and form no part thereof.

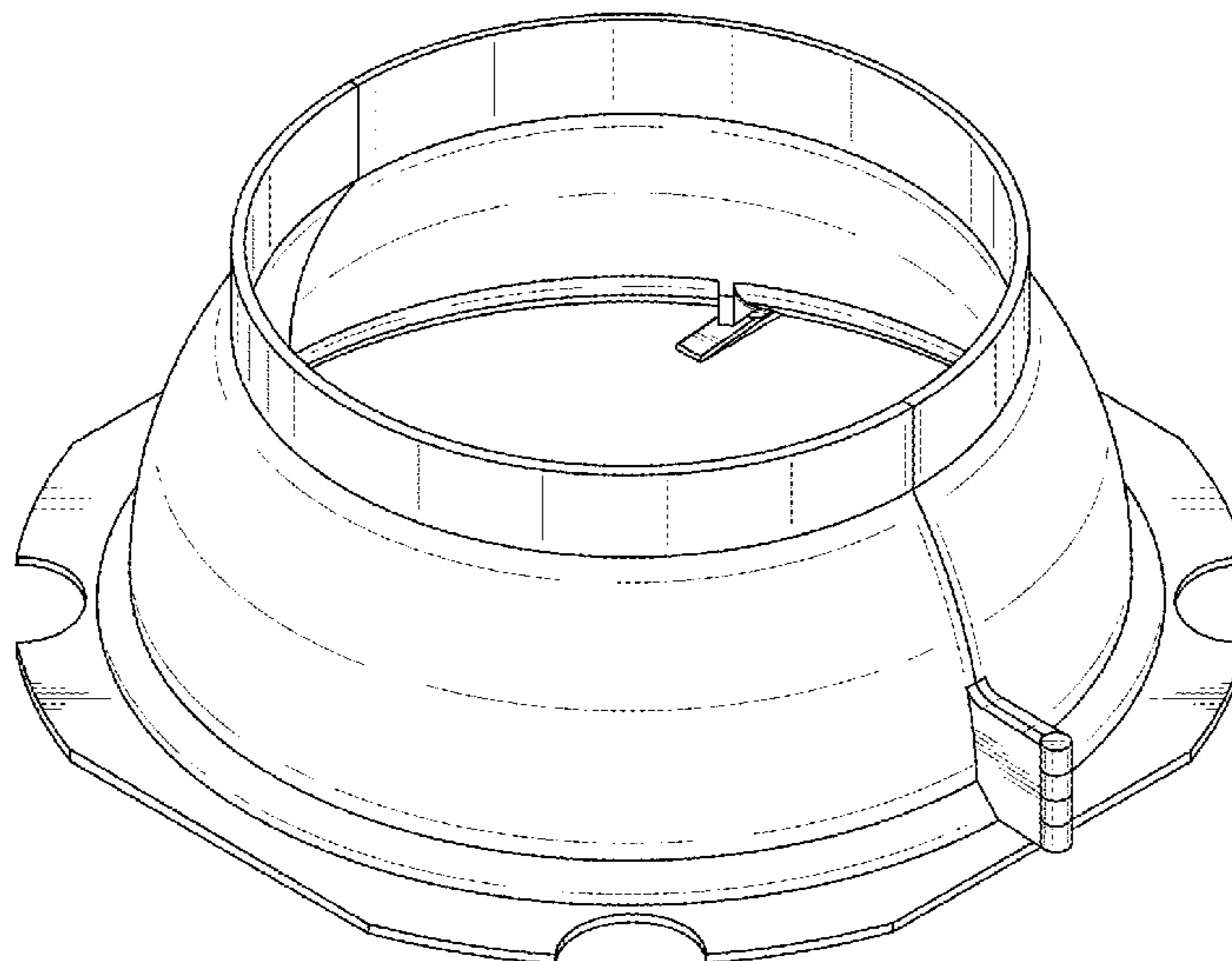
CPC ..... F24F 7/02; F24F 7/025; F24F 7/065  
See application file for complete search history.

(56) **References Cited**

**U.S. PATENT DOCUMENTS**

D136,855 S \* 12/1943 Markesinis ..... D23/322  
3,325,193 A \* 6/1967 Castello ..... F24F 13/0209  
285/189  
D234,847 S \* 4/1975 Hoffman ..... D23/262  
4,058,329 A \* 11/1977 Johansson ..... F16L 5/02  
285/140.1  
D317,819 S \* 6/1991 Sello ..... D23/390  
D437,043 S \* 1/2001 Wettergren ..... D23/370

**1 Claim, 9 Drawing Sheets**



(56)

**References Cited**

U.S. PATENT DOCUMENTS

D529,598 S \* 10/2006 Sandman ..... D23/393  
D558,325 S \* 12/2007 Karnes ..... D23/393  
D612,925 S \* 3/2010 Kameyama ..... D23/393  
D702,338 S \* 4/2014 Jones ..... D23/393  
9,581,355 B2 \* 2/2017 Boros ..... F24H 1/205  
10,480,824 B2 \* 11/2019 Gardner ..... G01F 23/00  
D873,989 S \* 1/2020 Jordan ..... D23/393  
D896,351 S \* 9/2020 Banks, III ..... D23/262  
2003/0062720 A1 \* 4/2003 Anderson ..... F16L 37/008  
285/140.1  
2006/0111037 A1 \* 5/2006 Poirier ..... F16L 37/26  
454/270  
2008/0318511 A1 \* 12/2008 Becker ..... F16L 35/005  
454/306  
2013/0043671 A1 \* 2/2013 Harman ..... F16L 3/003  
285/3  
2015/0034201 A1 \* 2/2015 Fielding ..... F16L 23/036  
138/109

OTHER PUBLICATIONS

Broan-NuTone 465B, May 6, 2020, Amazon, site visited Dec. 11, 2021: <https://www.amazon.com/dp/B0886JZ9MR/> (Year: 2020).\*

\* cited by examiner

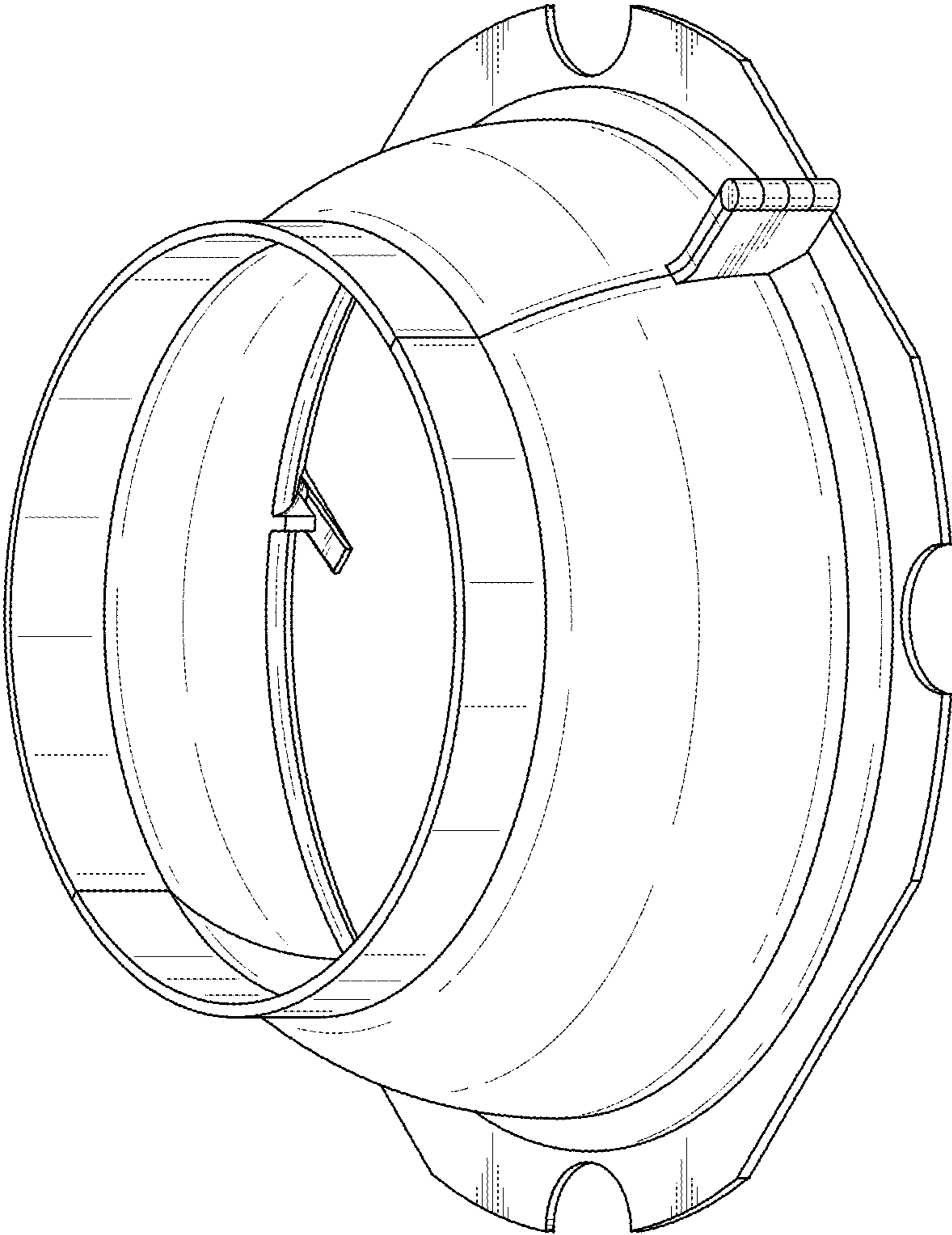


FIG. 1

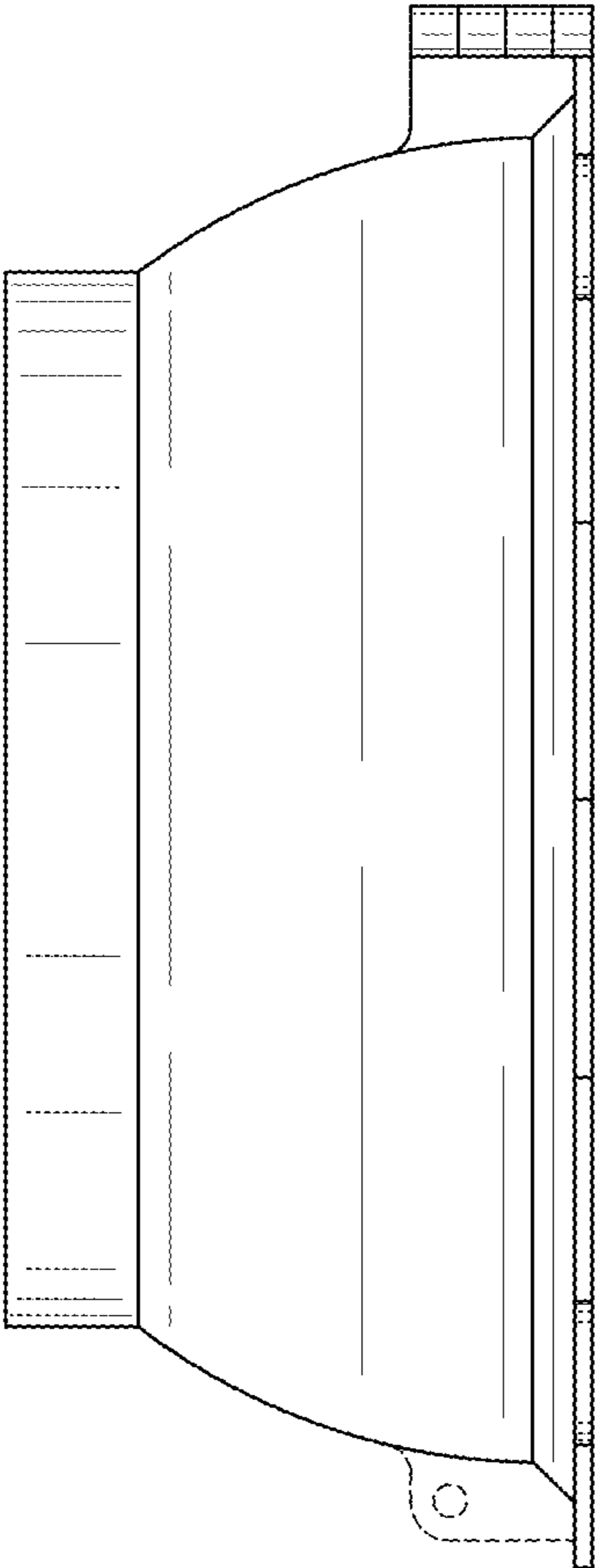


FIG. 2

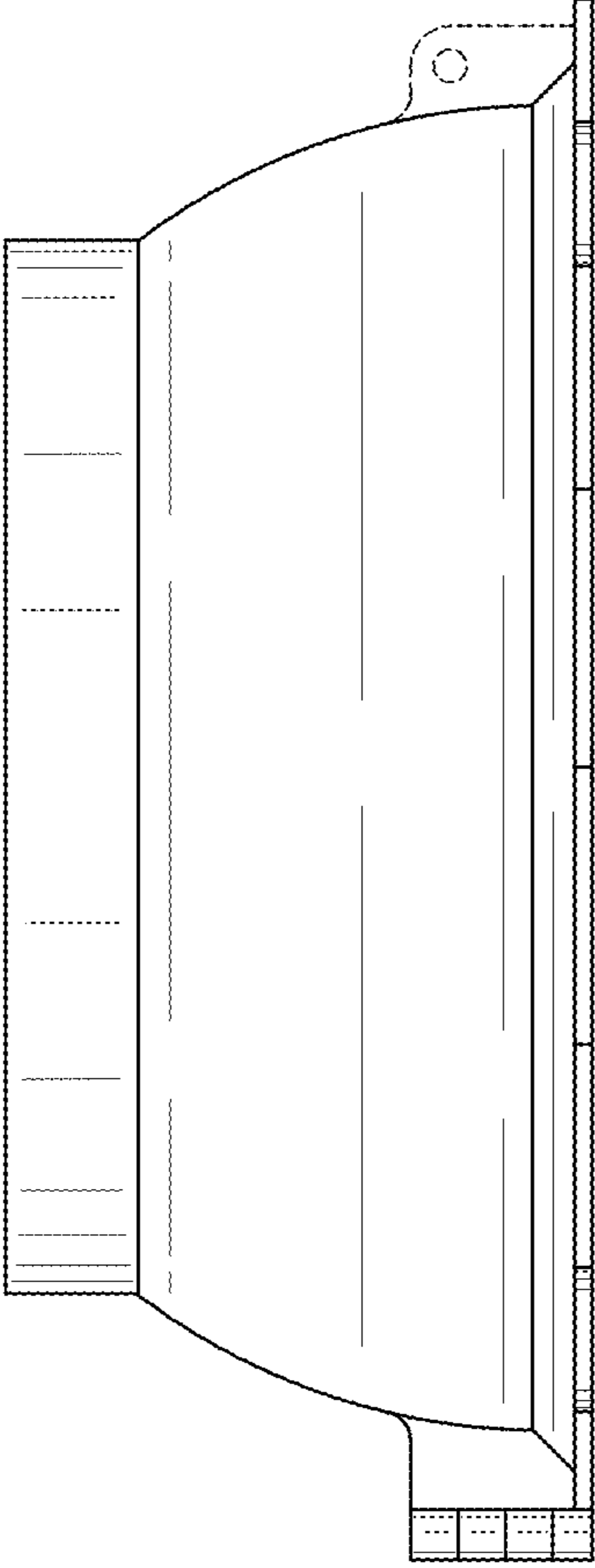


FIG. 3

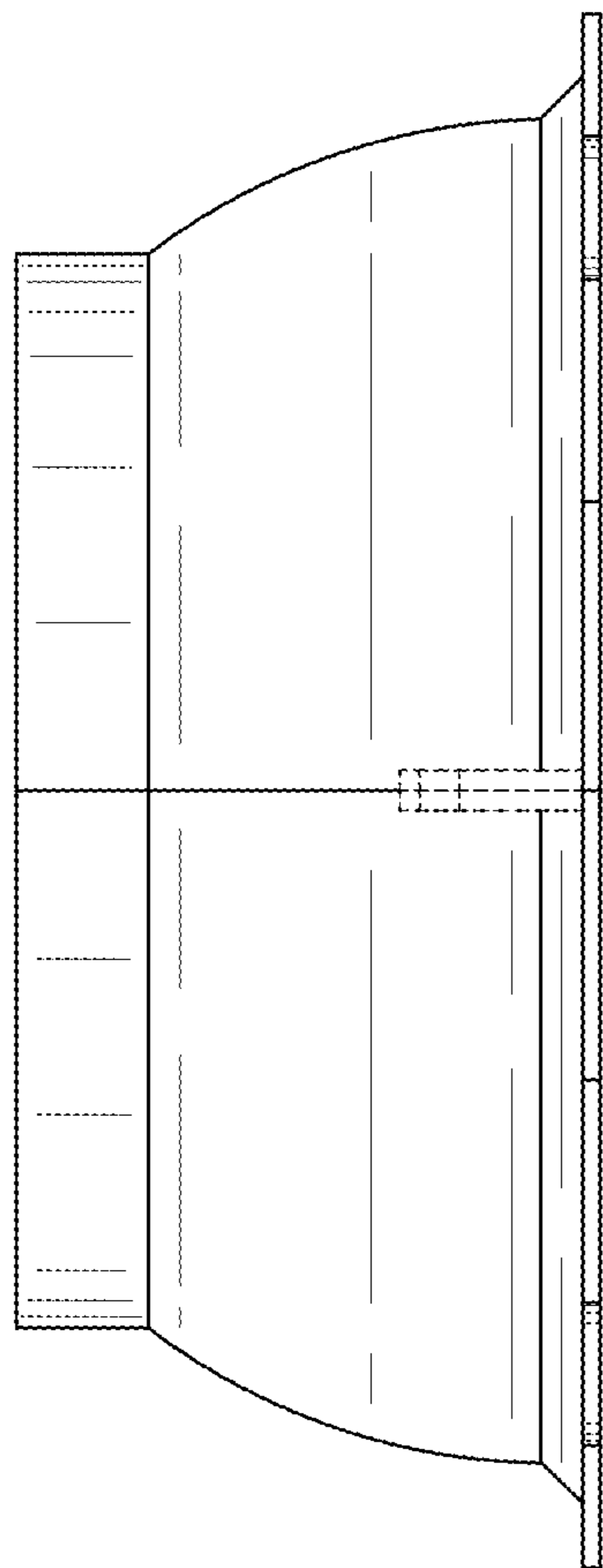


FIG. 4

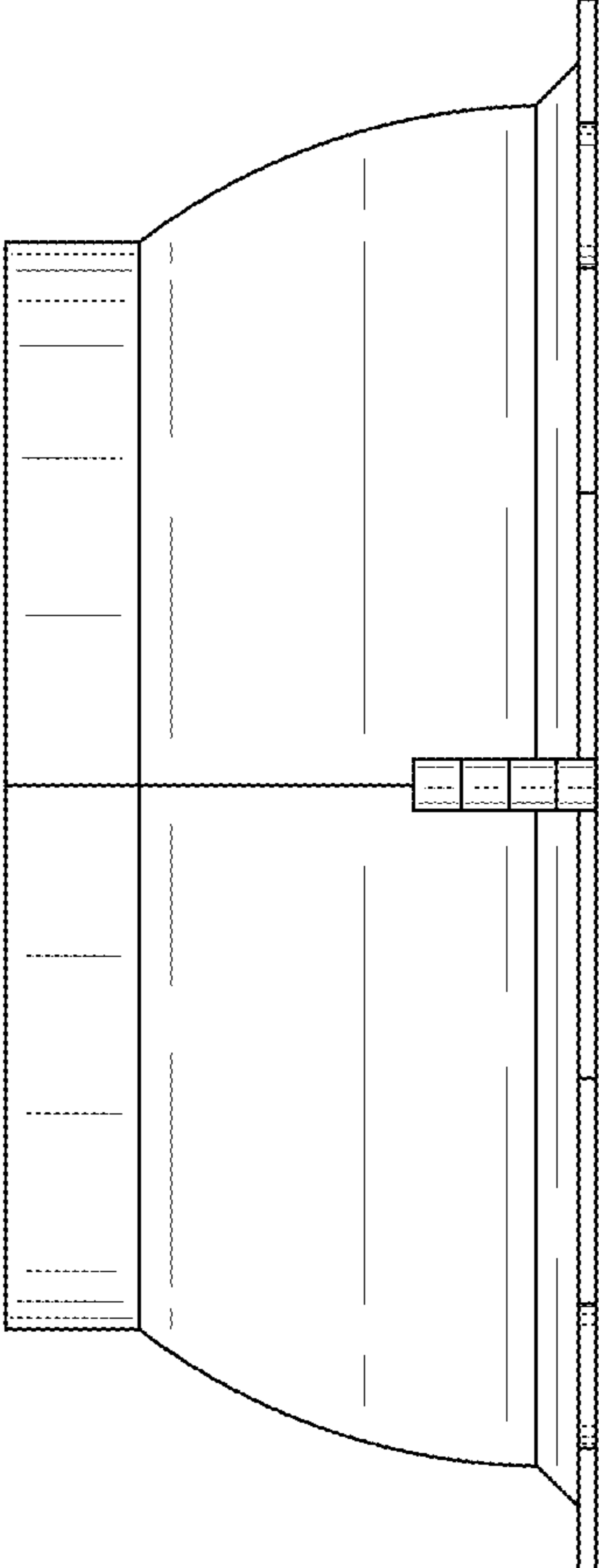


FIG. 5



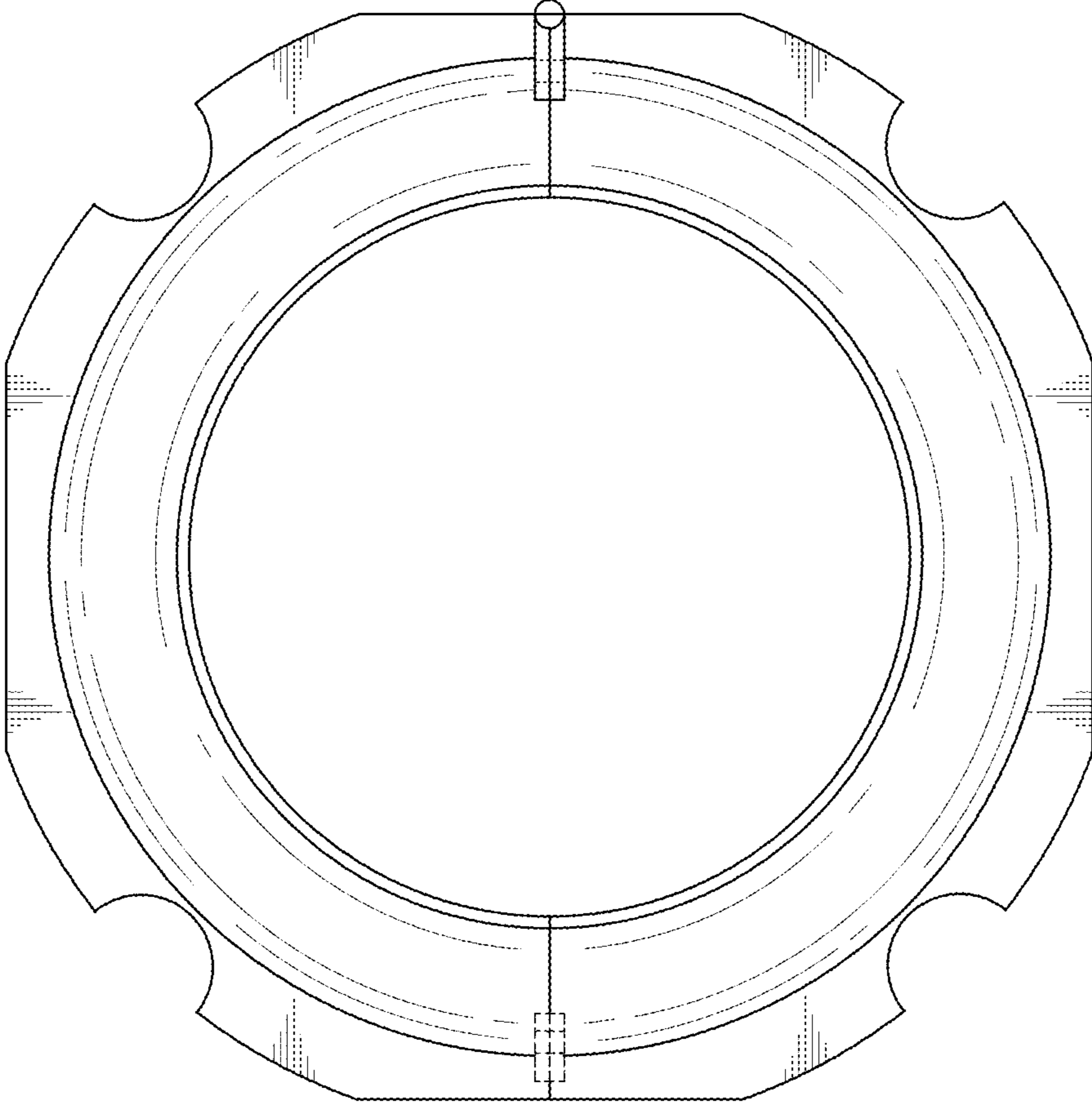


FIG. 6



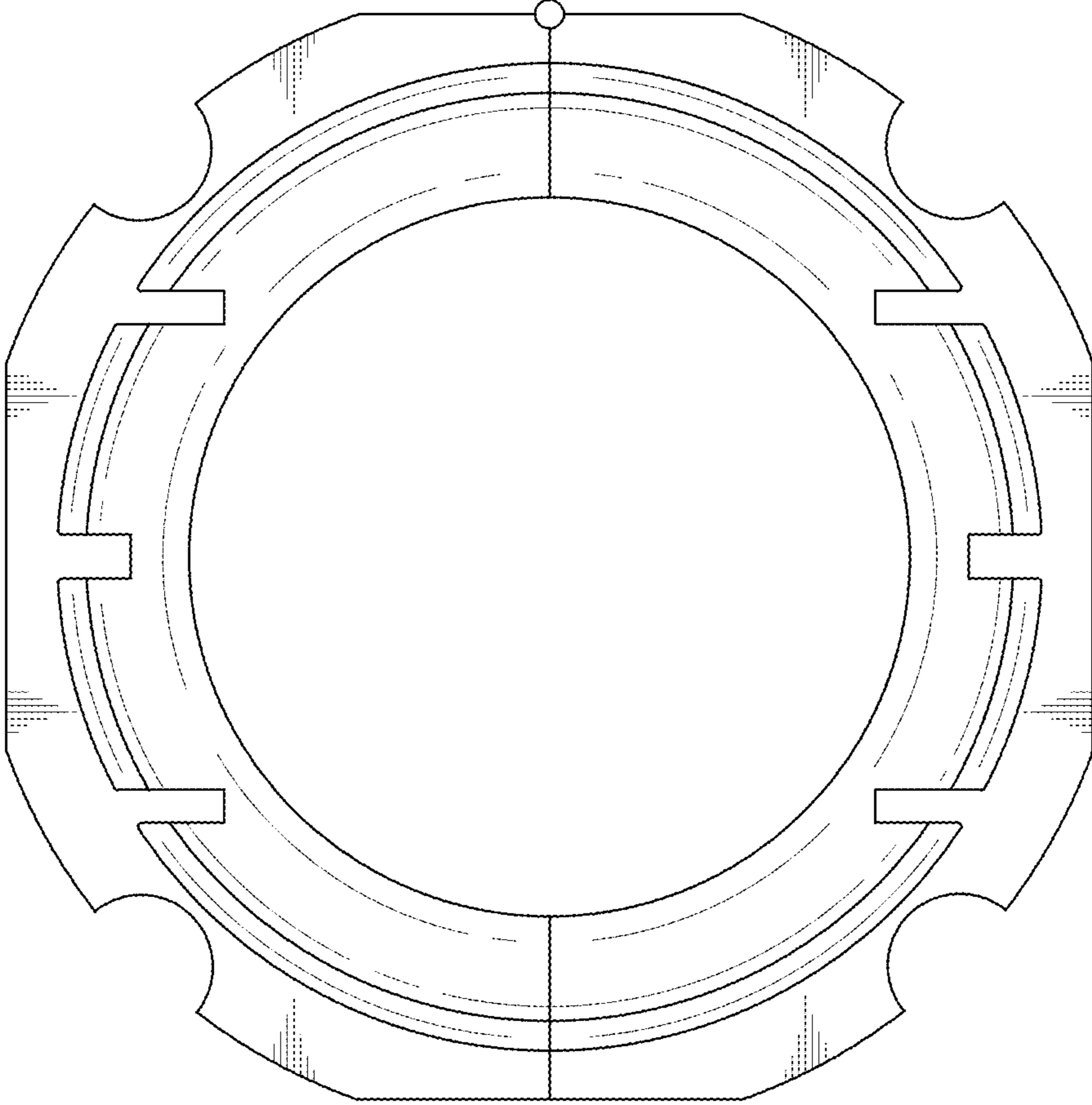


FIG. 7

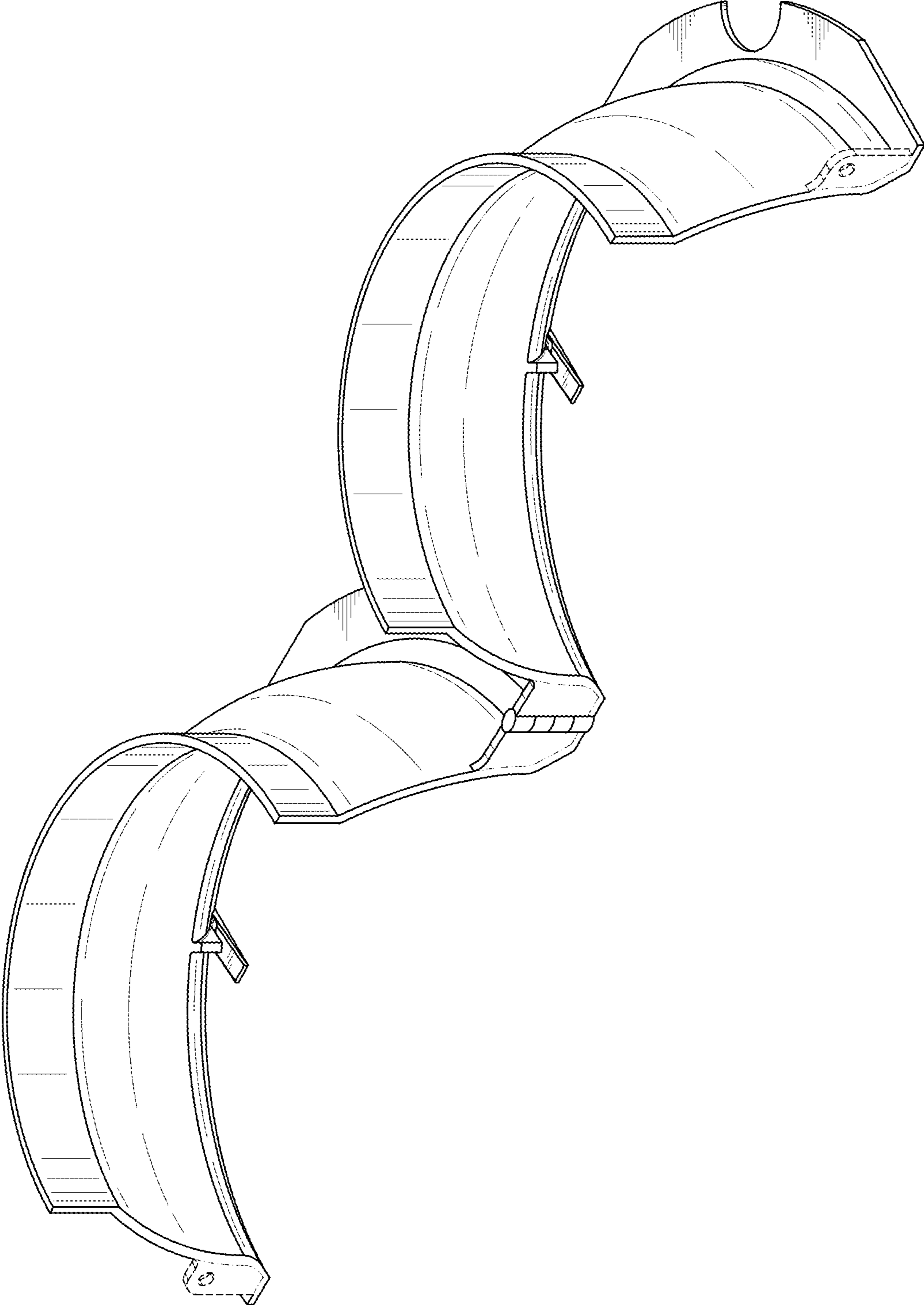


FIG. 8

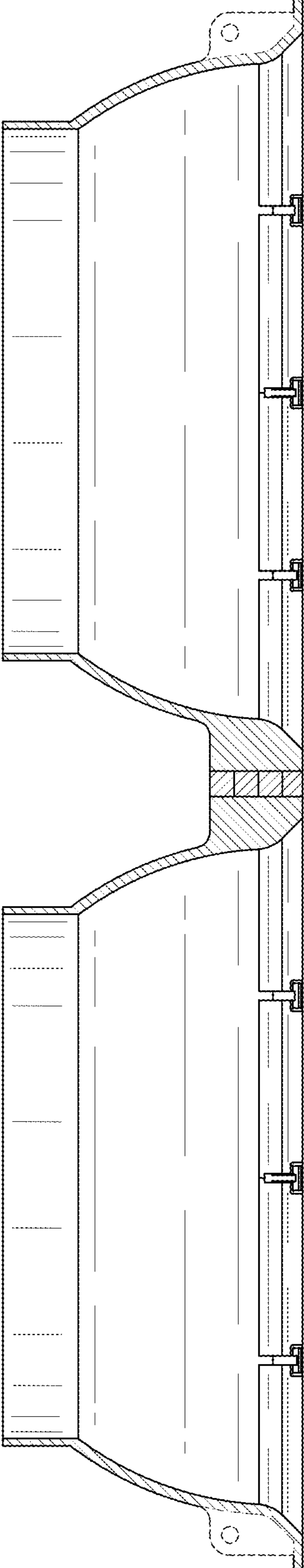


FIG. 9