



US00D963832S

(12) **United States Design Patent**  
**Yang**

(10) **Patent No.:** **US D963,832 S**  
(45) **Date of Patent:** **\*\* Sep. 13, 2022**

- (54) **HANDHELD FAN WITH HOLOGRAM LED SPINNING DISPLAY**
- (71) Applicant: **SHENZHEN ENO OPTOELECTRONICS TECHNOLOGY CO., LTD.**, Shenzhen (CN)
- (72) Inventor: **Chunlong Yang**, Shenzhen (CN)
- (73) Assignee: **SHENZHEN ENO OPTOELECTRONICS TECHNOLOGY CO., LTD.**, Shenzhen (CN)

D556,878 S	12/2007	Radtke et al.	
D593,237 S *	5/2009	Chernick	D26/37
D767,747 S *	9/2016	Wang	D23/379
D806,853 S *	1/2018	Ho	D9/504
D837,963 S *	1/2019	Xu	D23/382
D879,283 S *	3/2020	Liao	D23/382
D885,554 S *	5/2020	Puglia, Sr.	D23/379
D885,555 S *	5/2020	Wang	D23/382
D893,699 S *	8/2020	Zhu	D23/382
D902,373 S *	11/2020	Xu	D23/382
D907,187 S *	1/2021	Li	D23/382
D937,402 S *	11/2021	Zhao	D23/382
D940,294 S *	1/2022	Park	D23/382

\* cited by examiner

*Primary Examiner* — Sharon S Oum

- (\*\*) Term: **15 Years**
- (21) Appl. No.: **29/806,094**
- (22) Filed: **Sep. 1, 2021**
- (51) **LOC (13) Cl.** ..... **23-04**
- (52) **U.S. Cl.**  
USPC ..... **D23/382**
- (58) **Field of Classification Search**  
USPC ..... D23/328, 332–337, 351–352, 370, 378, D23/380–383  
CPC .... F04D 25/0673; F04D 25/08; F04D 25/084; F04D 25/086  
See application file for complete search history.

(57) **CLAIM**

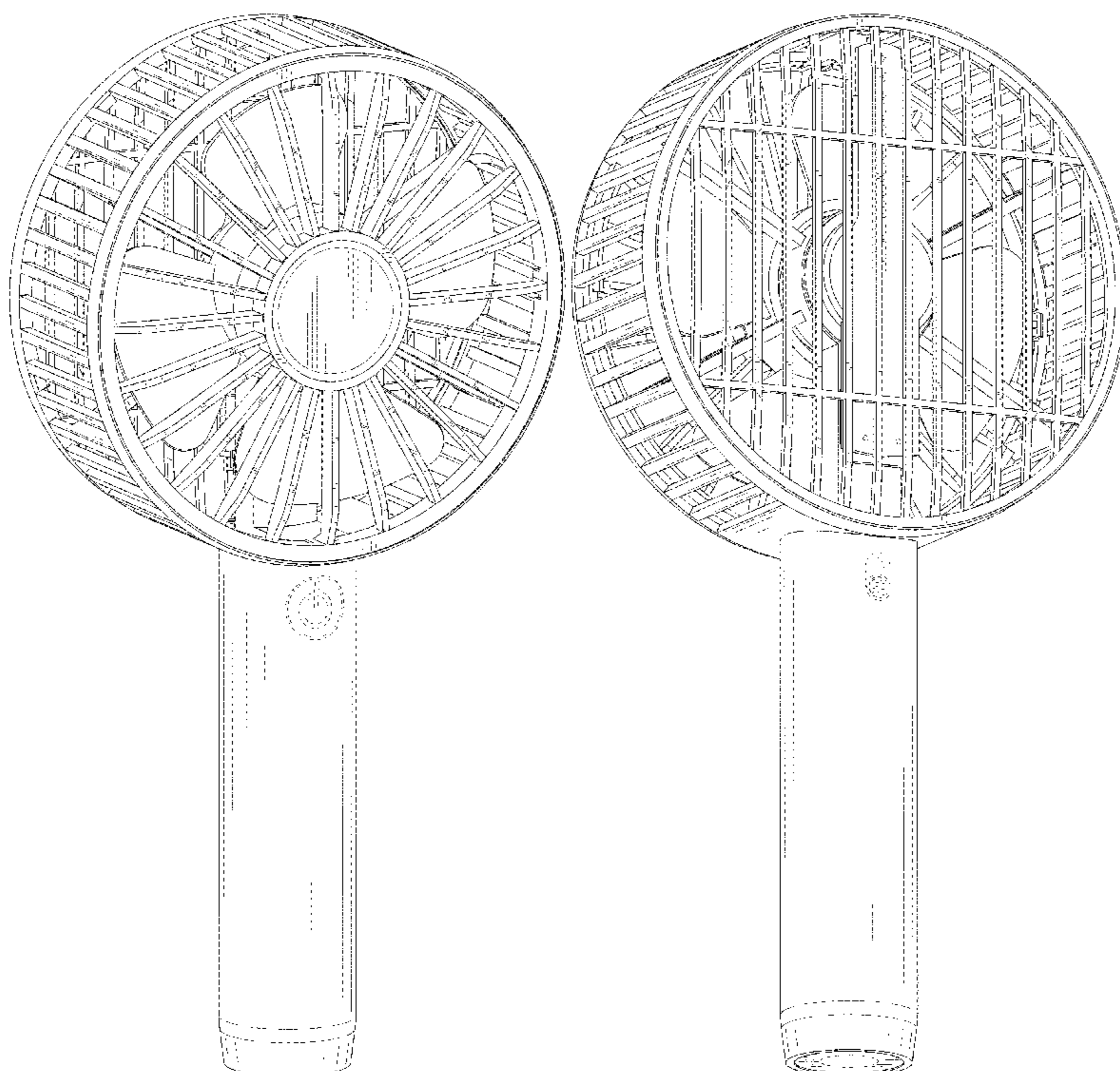
The ornamental design for a handheld fan with hologram LED spinning display, as shown and described.

**DESCRIPTION**

FIG. 1 is a perspective view of a handheld fan with hologram LED spinning display showing my new design;  
 FIG. 2 is another perspective view thereof;  
 FIG. 3 is a front elevational view thereof;  
 FIG. 4 is a rear elevational view thereof;  
 FIG. 5 is a left side elevational view thereof;  
 FIG. 6 is a right side elevational view thereof;  
 FIG. 7 is a top plan view thereof; and,  
 FIG. 8 is a bottom plan view thereof.  
 The broken lines in the drawings depict portions of the handheld fan with hologram LED spinning display that form no part of the claimed design.

- (56) **References Cited**  
U.S. PATENT DOCUMENTS  
D257,491 S \* 11/1980 Cousins ..... D23/370  
D464,420 S \* 10/2002 Tolar ..... D23/382

**1 Claim, 8 Drawing Sheets**



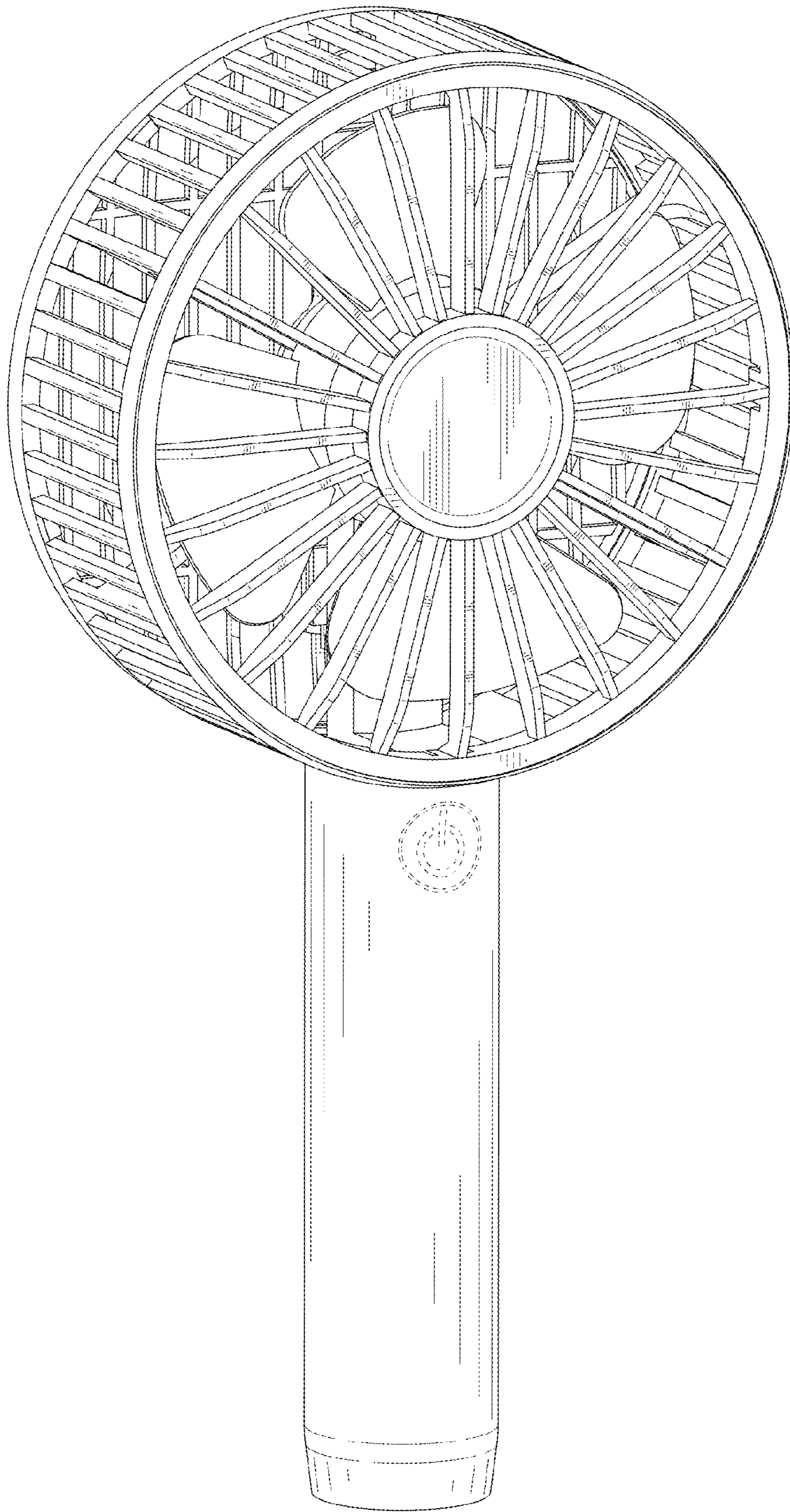


FIG. 1



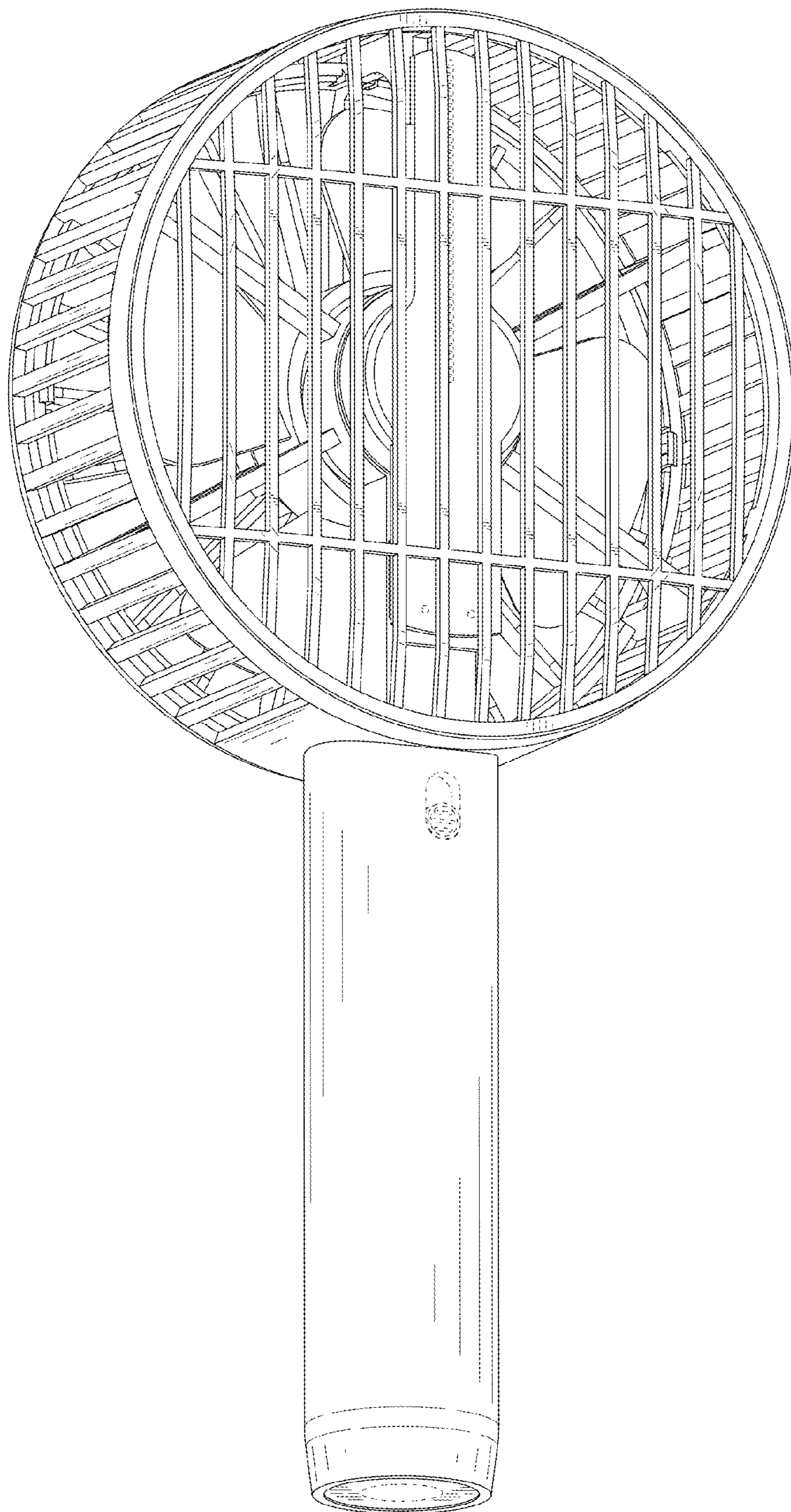


FIG. 2

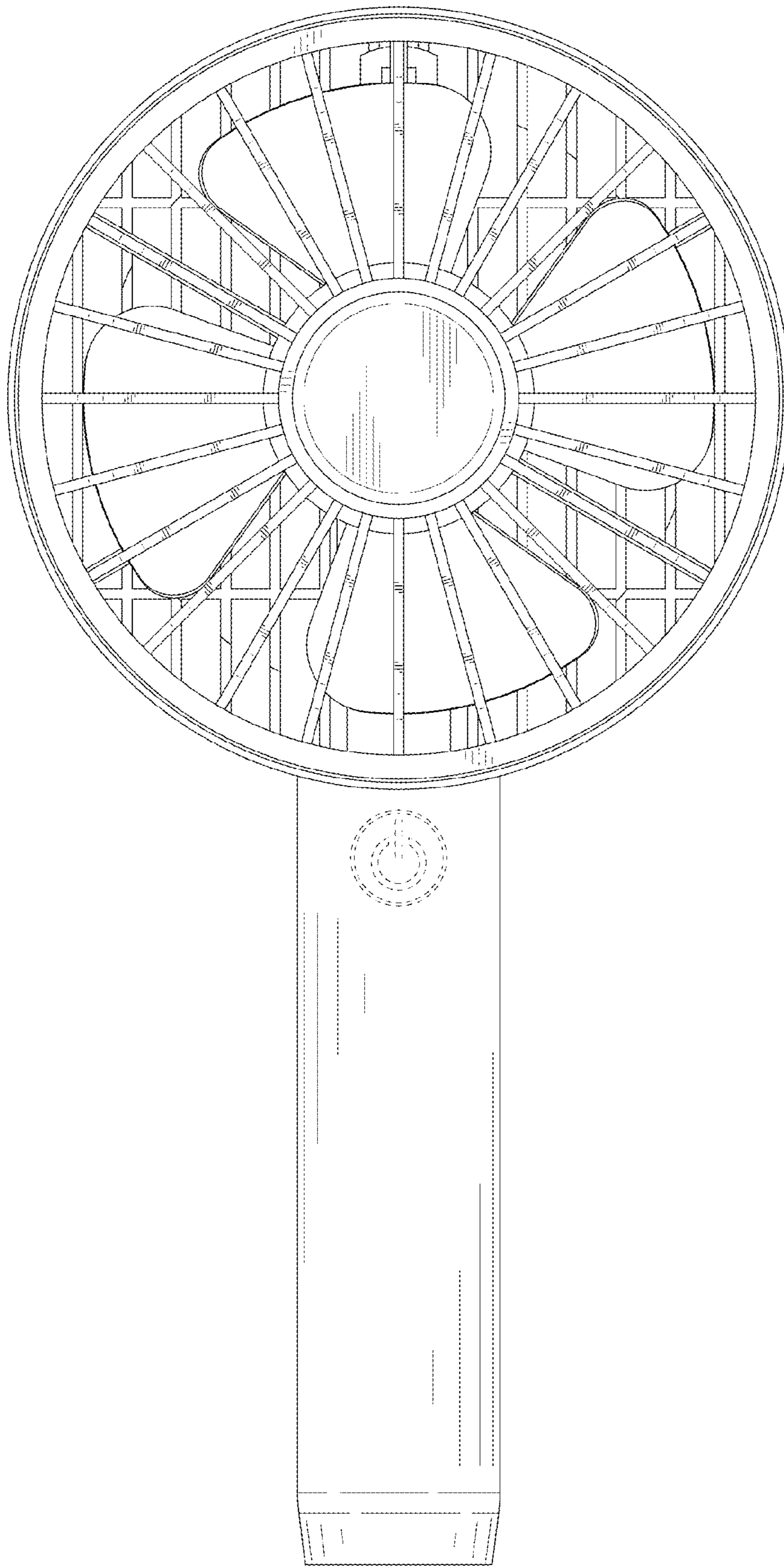


FIG. 3

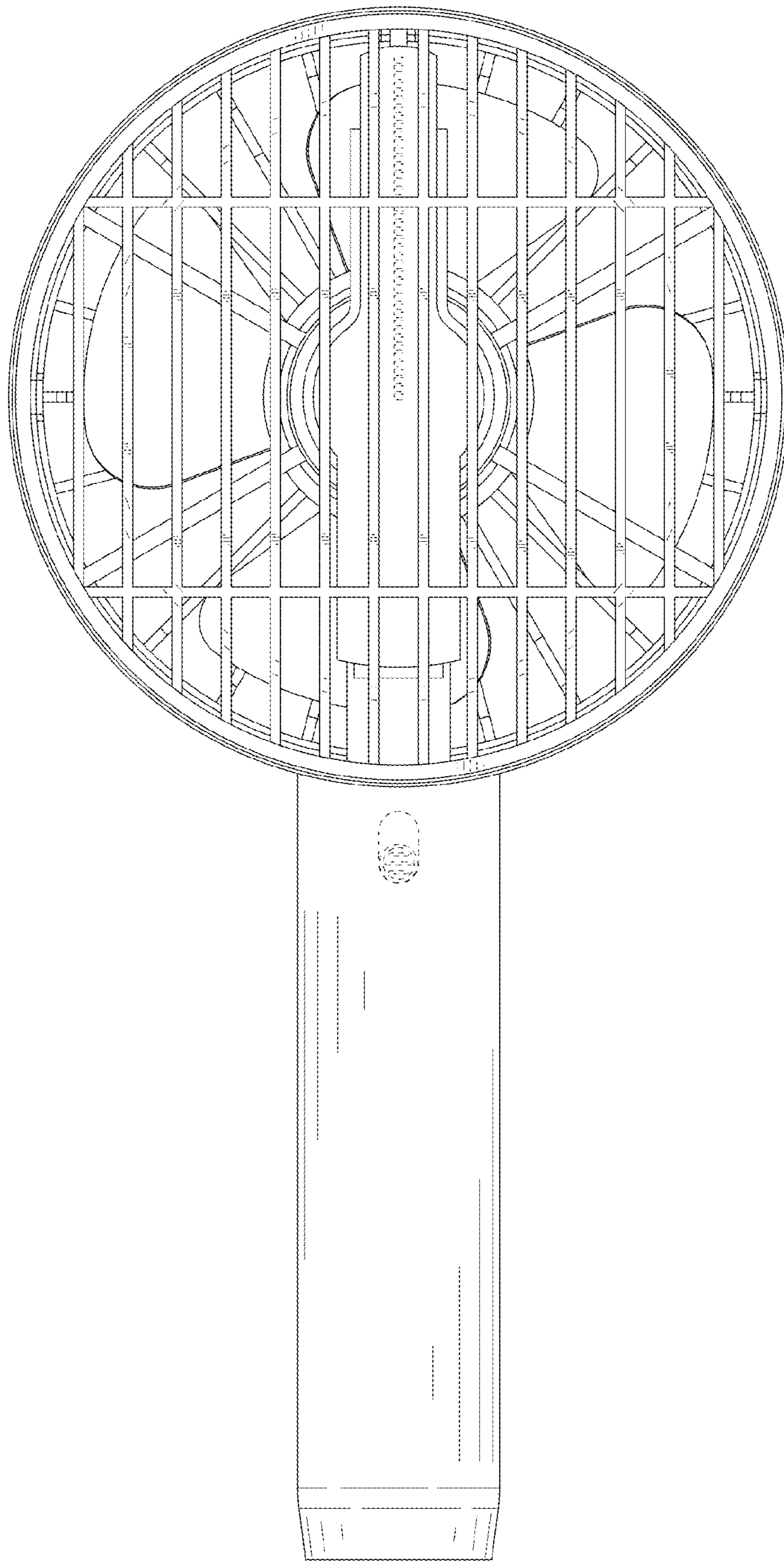


FIG. 4



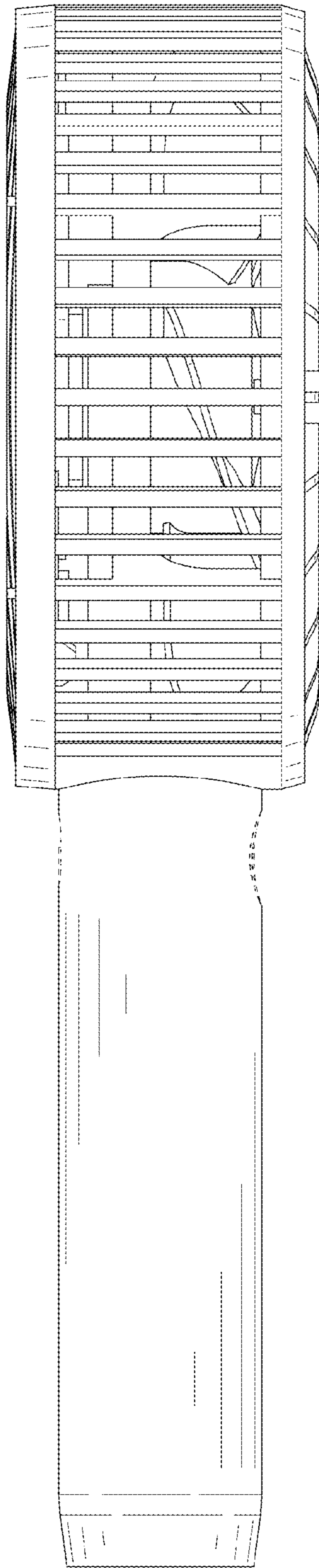


FIG. 5

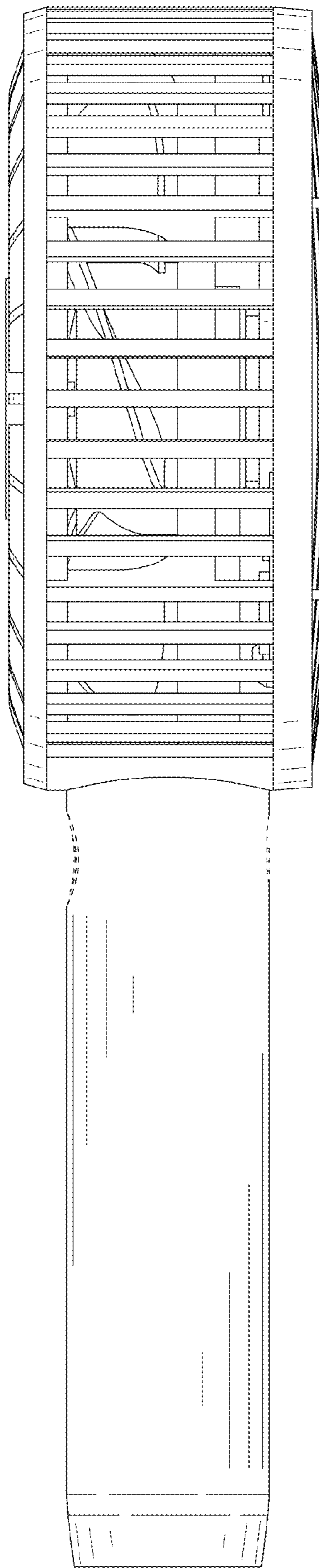


FIG. 6

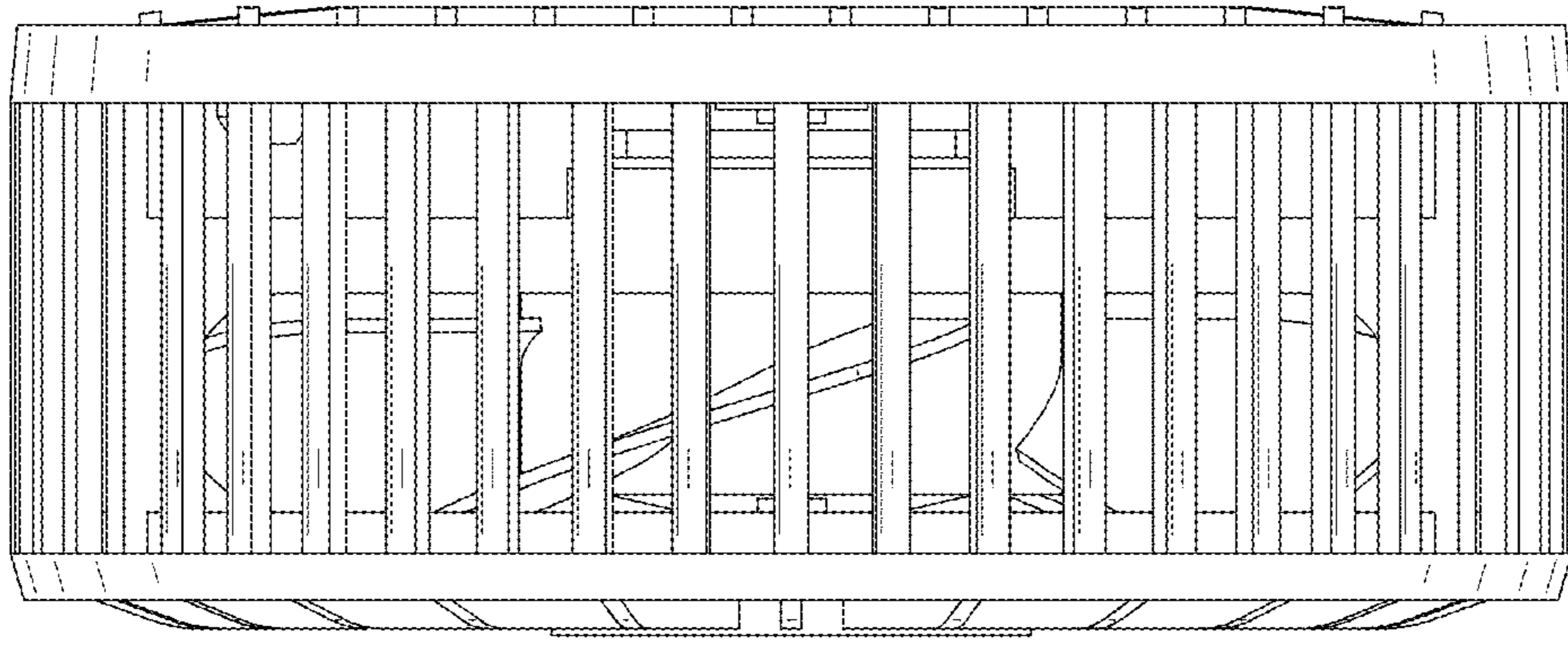


FIG. 7



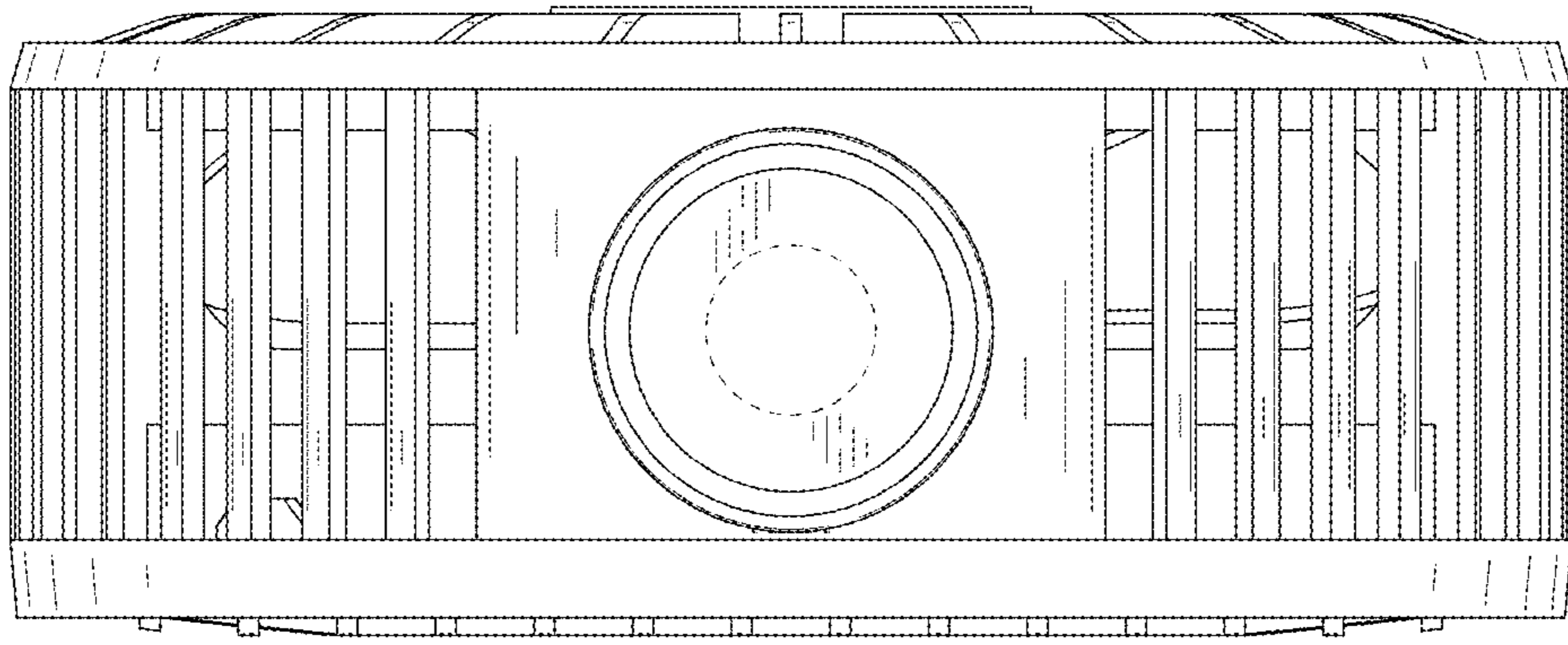


FIG. 8