



US00D963829S

(12) **United States Design Patent** (10) **Patent No.:** **US D963,829 S**
Lee (45) **Date of Patent:** **** Sep. 13, 2022**

(54) **AROMA DIFFUSER**

(56) **References Cited**

(71) Applicant: **PUZHEN LIFE CO., LTD**, Hong Kong (HK)

U.S. PATENT DOCUMENTS

(72) Inventor: **Andy Lee**, Hong Kong (HK)

D754,630 S	*	4/2016	Paterson	D14/204
D755,155 S	*	5/2016	Paterson	D14/204
D835,765 S	*	12/2018	Chen	D23/364
D837,354 S	*	1/2019	Su	D23/364
D852,344 S	*	6/2019	Hua	D23/364
D882,055 S	*	4/2020	Ediger	D23/356
D918,366 S	*	5/2021	Li	D23/359
D918,371 S	*	5/2021	Zeng	D23/364
D924,385 S	*	7/2021	Liu	D23/356
D943,726 S	*	2/2022	Li	D23/364

(73) Assignee: **PUZHEN LIFE CO., LTD**, Hong Kong (HK)

(**) Term: **15 Years**

* cited by examiner

(21) Appl. No.: **29/760,654**

(22) Filed: **Dec. 3, 2020**

Primary Examiner — Gino Colan
Assistant Examiner — David OBrien

(30) **Foreign Application Priority Data**

Oct. 14, 2020 (HK) 2016953.2M002

(57) **CLAIM**

(51) **LOC (13) Cl.** **23-04**

The ornamental design for an aroma diffuser, as shown and described.

(52) **U.S. Cl.**
USPC **D23/366**

DESCRIPTION

(58) **Field of Classification Search**

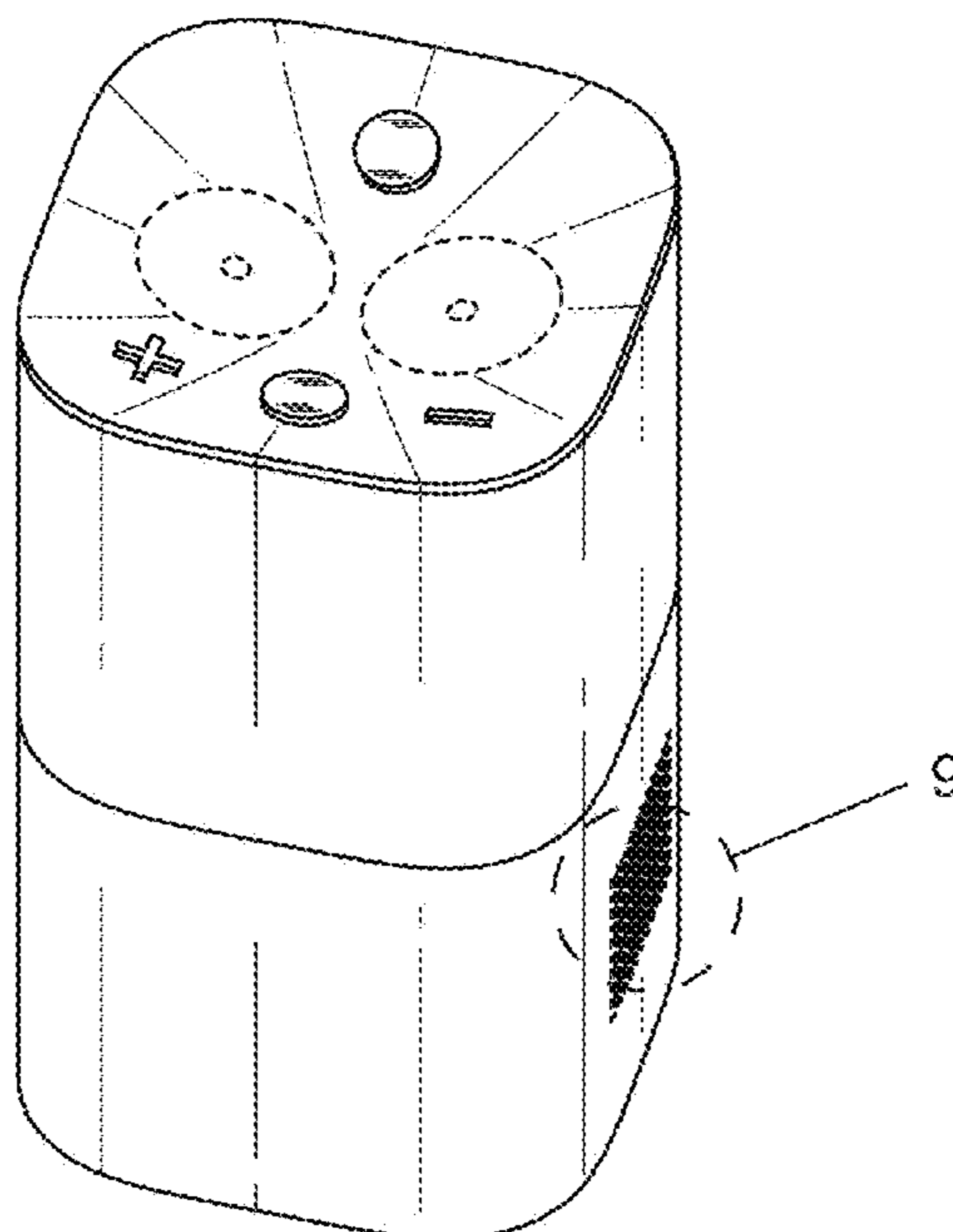
USPC D7/509, 510; D11/143, 152; D14/195, D14/204, 221, 228; D23/207, 208, 209, D23/213, 223, 333, 335, 336, 351, 352, D23/353, 355, 356, 359, 360, 362, D23/364-366; D24/108, 112, 129; D26/26, 37, 40, 46, 49

CPC F24F 6/00; F24F 6/06; F24F 1/00; F24F 1/02; F24F 1/022; A47G 7/06; A61M 11/02; A61M 11/041; A61L 9/00; A61L 9/03; A61L 9/12; A61L 9/122; A61L 2209/11; A61L 2209/14; A61L 2209/133; Y10S 261/17; Y10S 261/88; Y10S 261/89; B01D 46/10; B01D 46/0005; B01D 46/2411

FIG. 1 is a front elevational view of an aroma diffuser showing my new design;
 FIG. 2 is a rear elevational view thereof;
 FIG. 3 is a left side view thereof;
 FIG. 4 is a right side view thereof;
 FIG. 5 is a top plan view thereof;
 FIG. 6 is a bottom plan view thereof;
 FIG. 7 is a top, front and right side perspective view thereof;
 FIG. 8 is a bottom, rear and left side perspective view thereof; and,
 FIG. 9 is an enlarged view of portion 9 in FIG. 7.
 The broken lines in the drawings illustrate portions of the aroma diffuser which form no part of the claimed design.

See application file for complete search history.

1 Claim, 9 Drawing Sheets



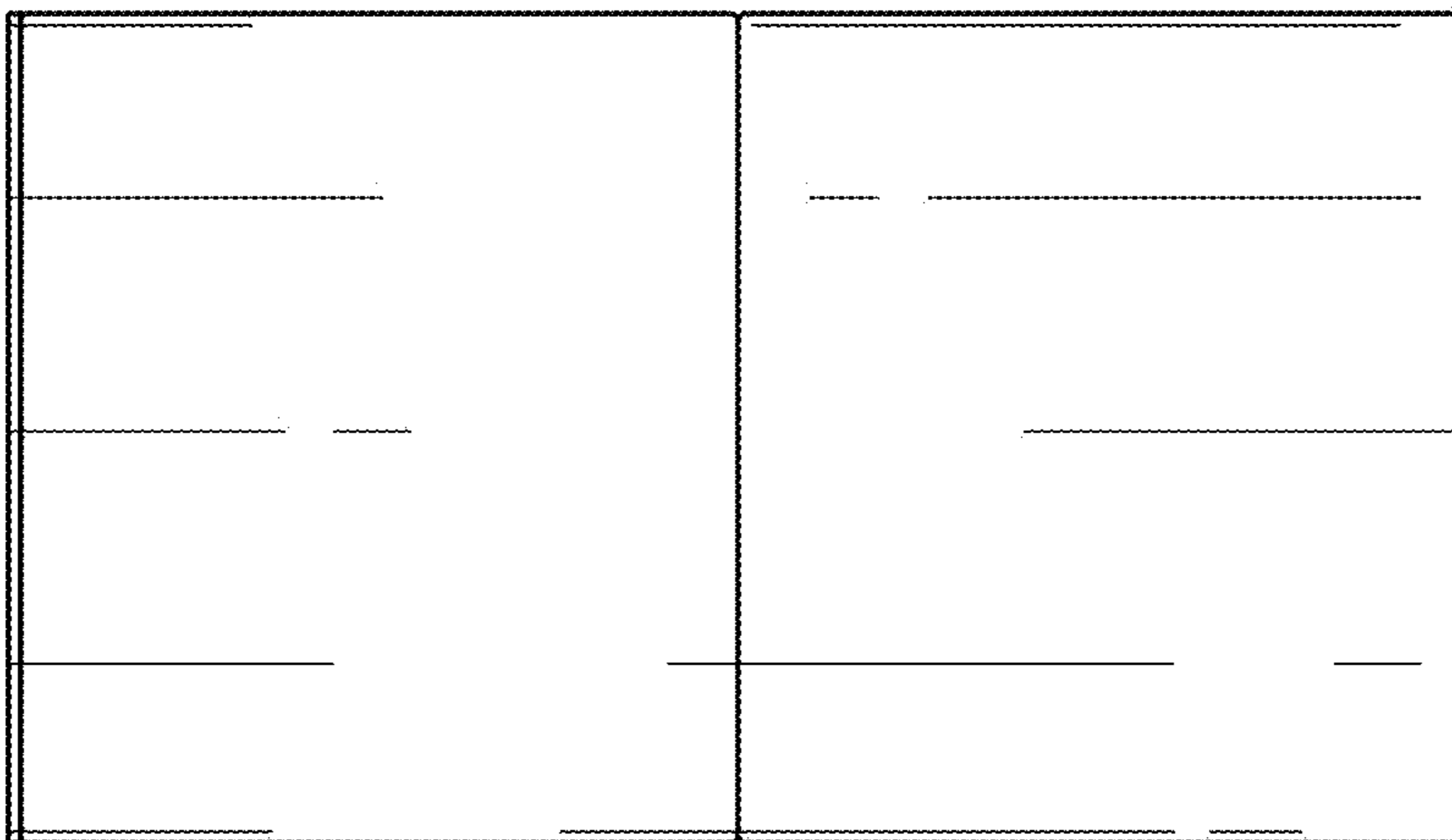


Fig. 1

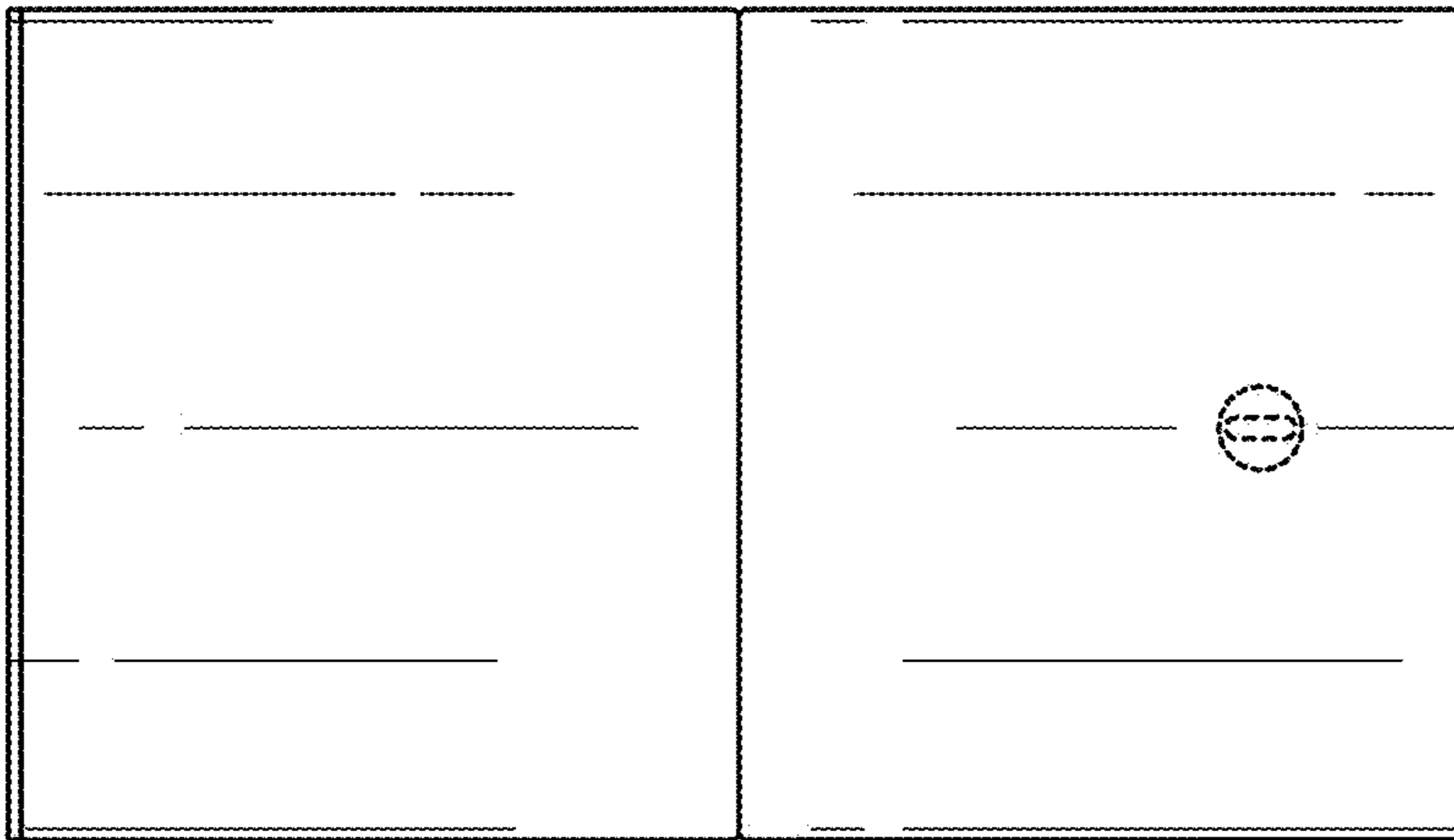


Fig. 2

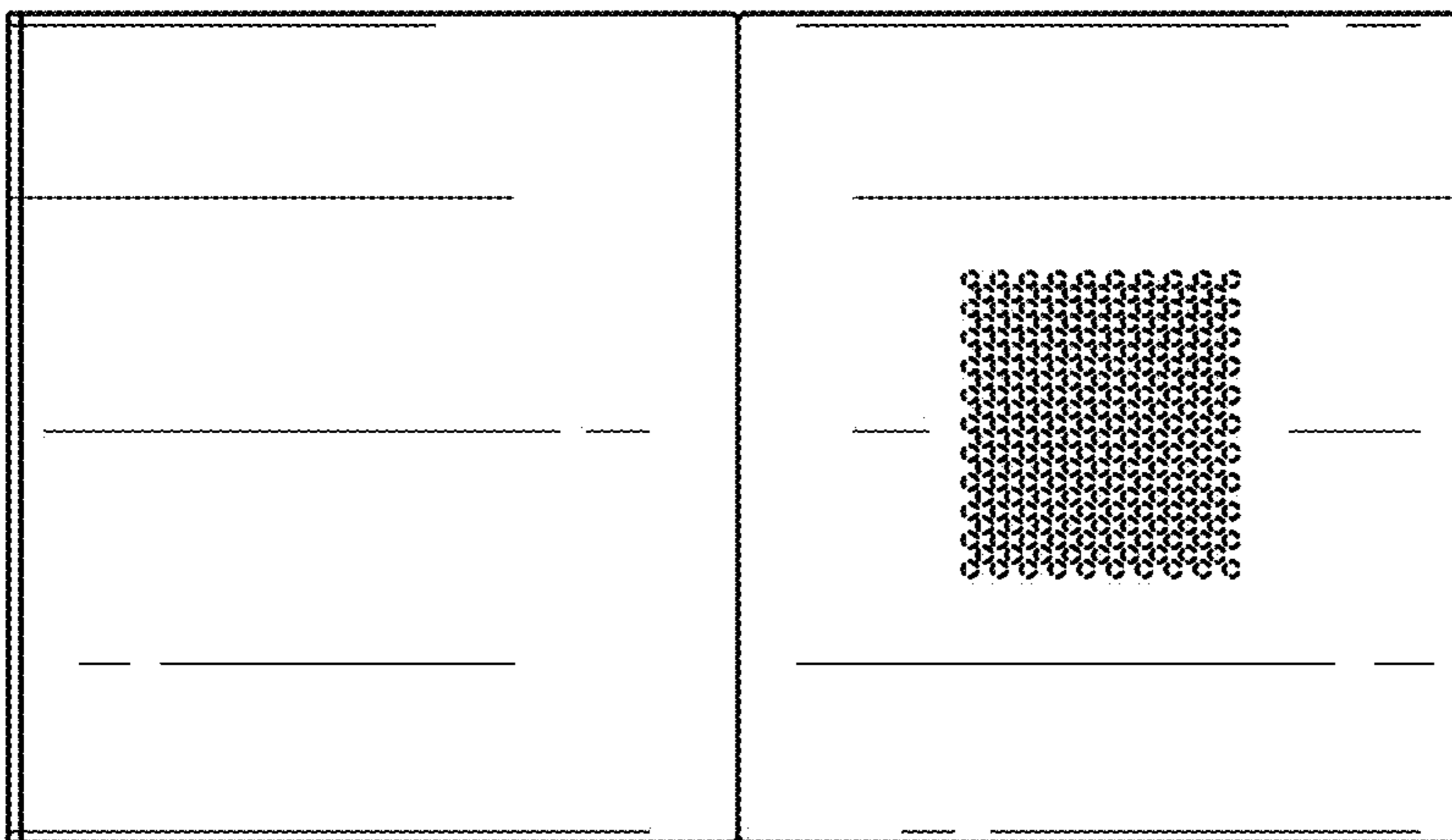


Fig. 3

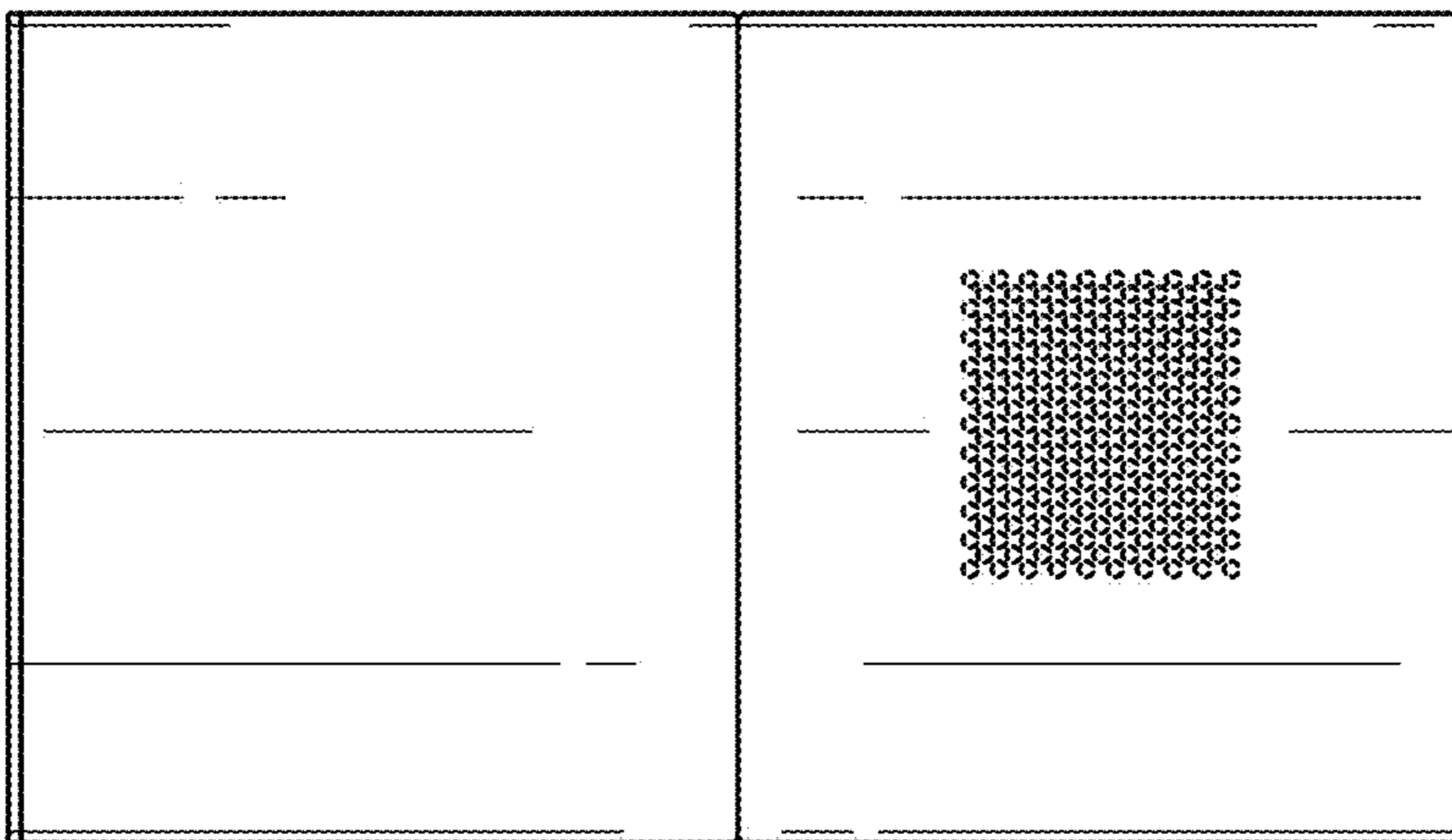


Fig. 4

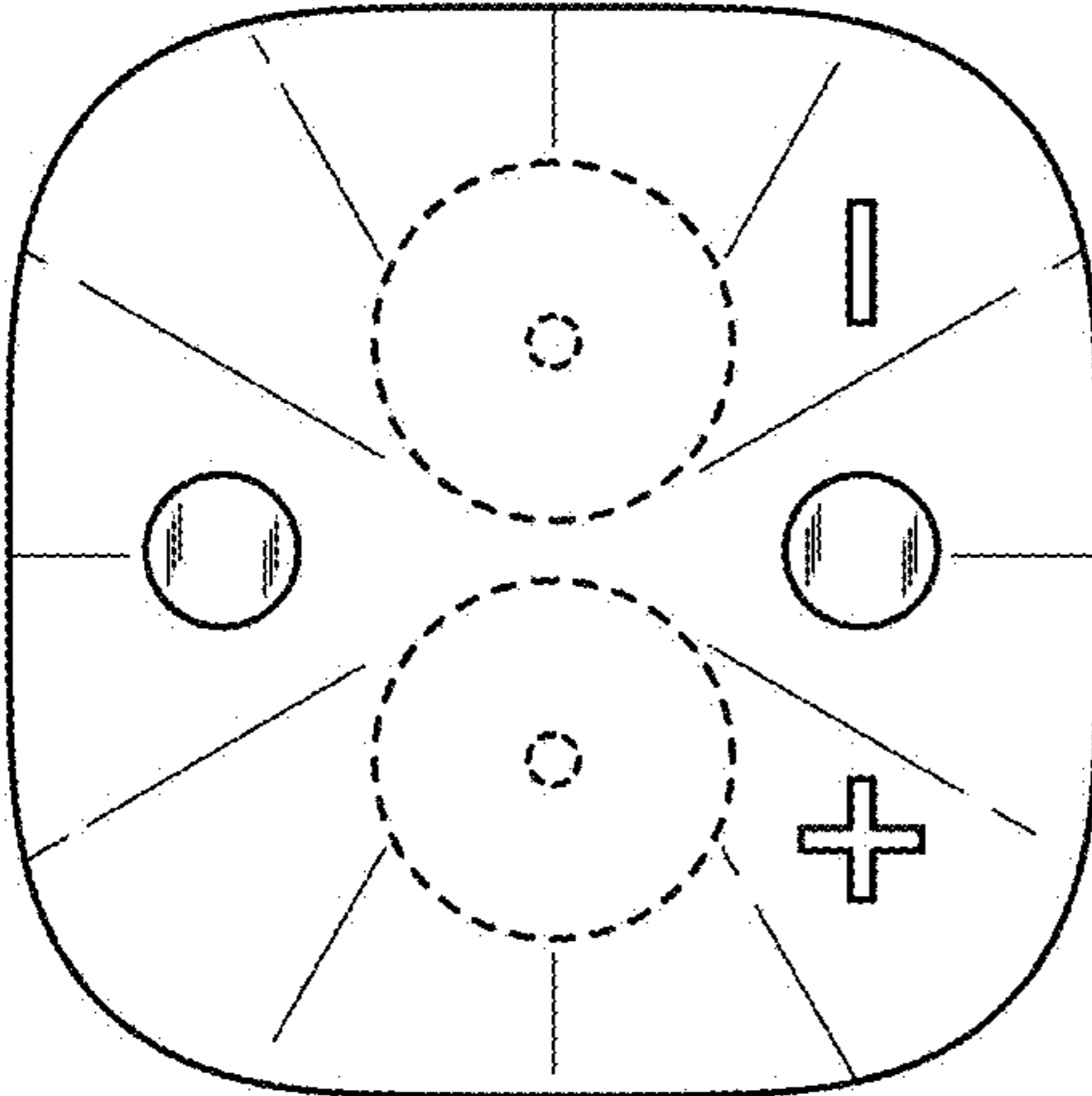


Fig. 5

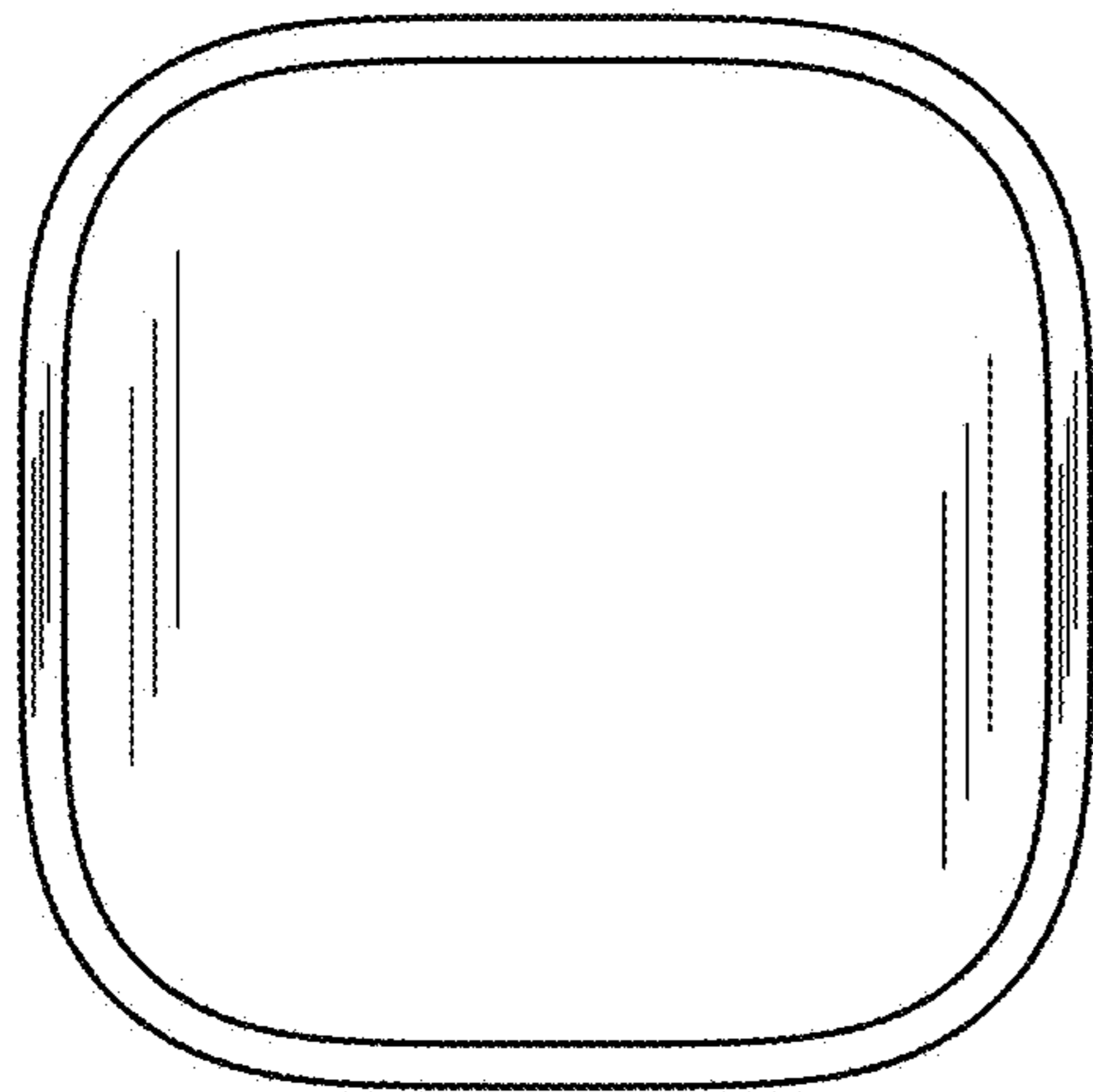


Fig. 6

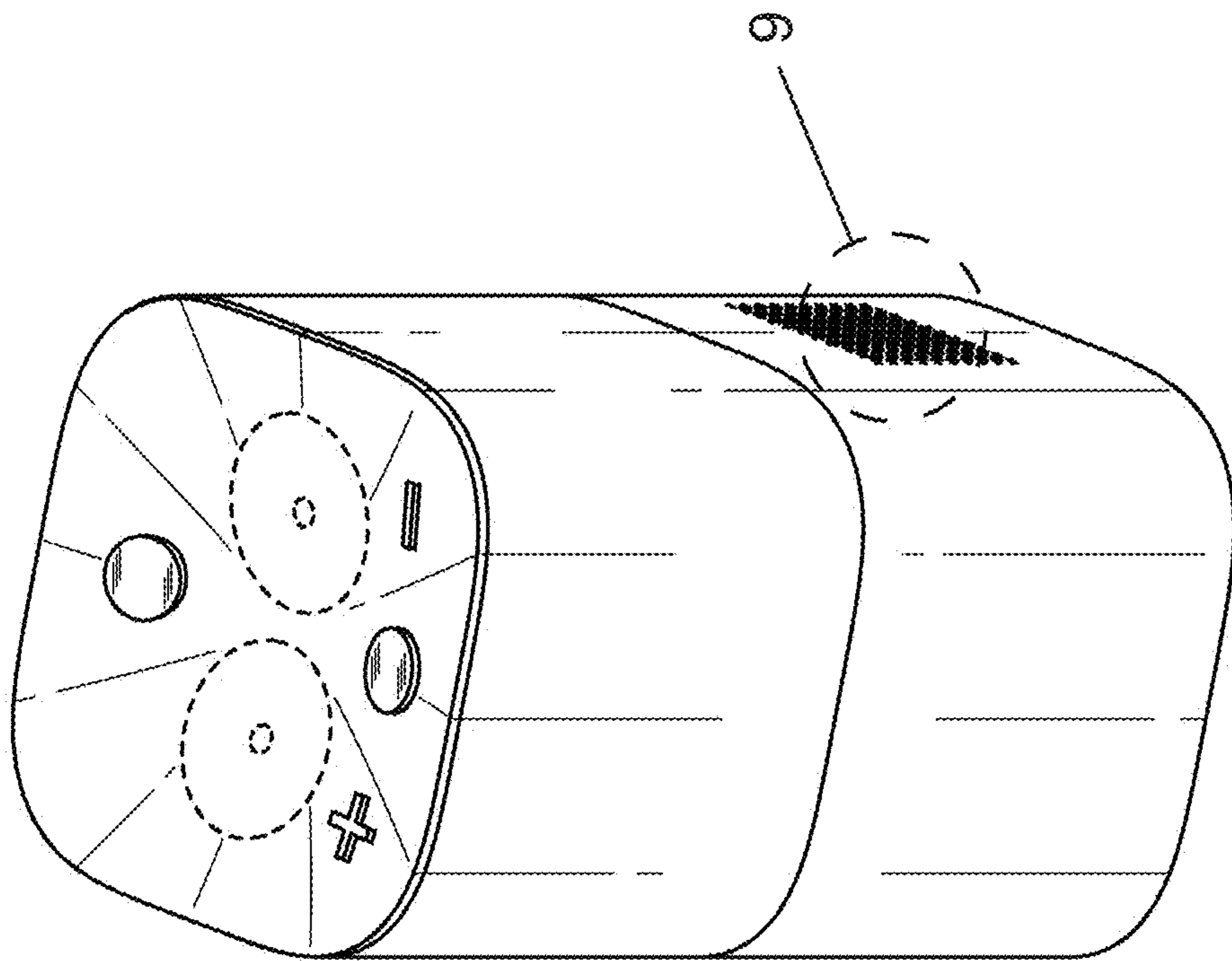


Fig. 7

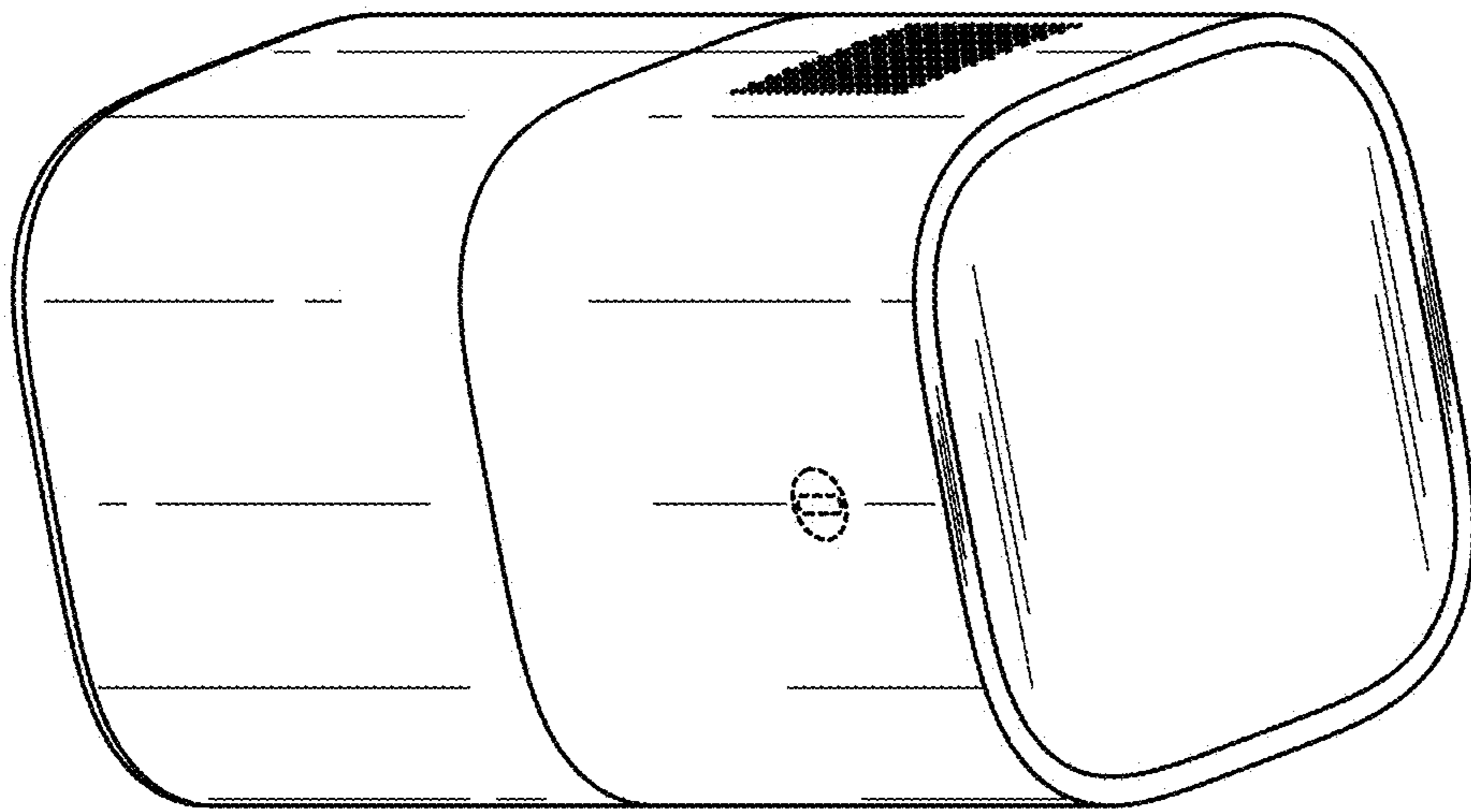


Fig. 8

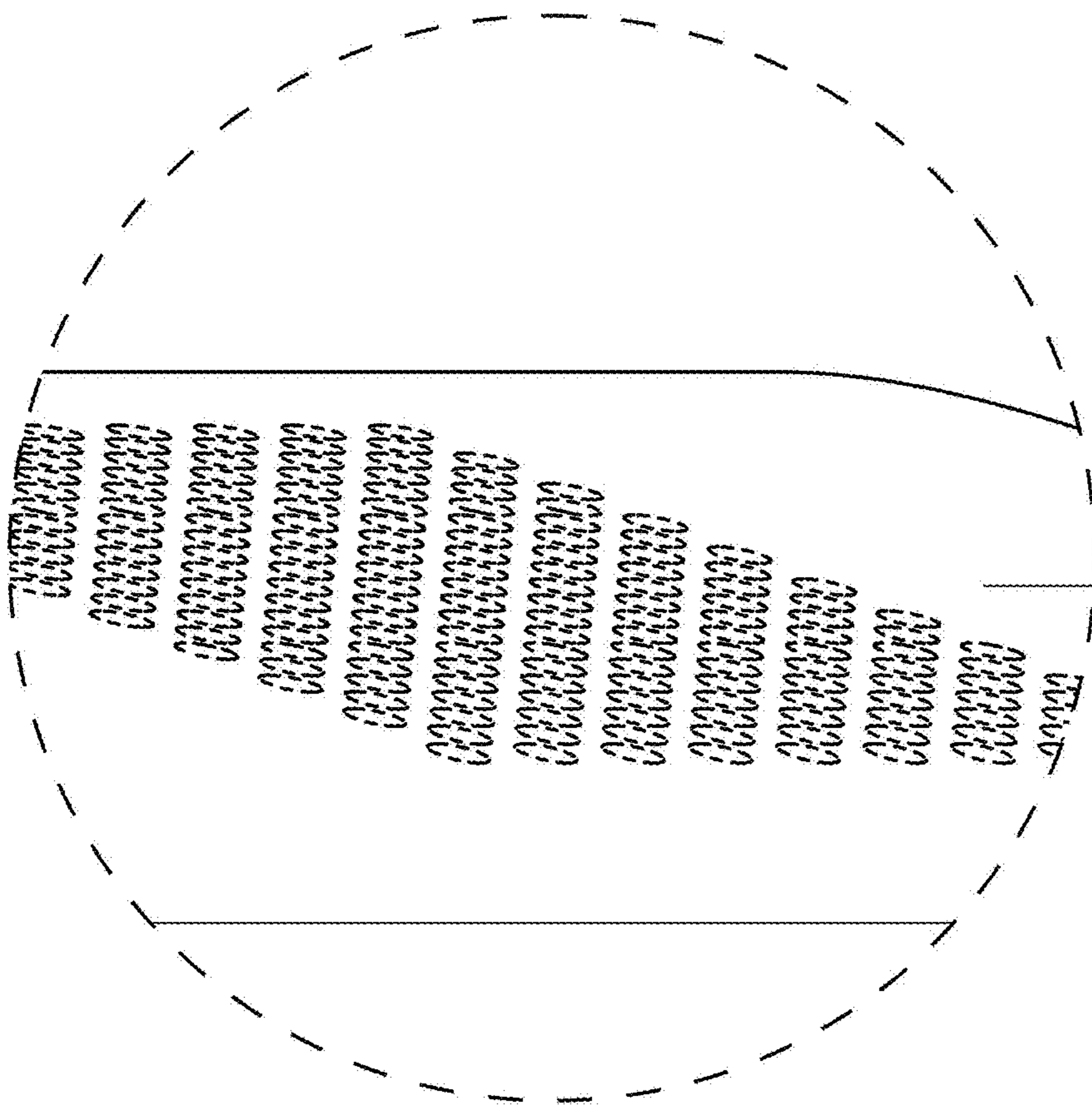


Fig. 9