

US00D963822S

(12) **United States Design Patent**  
**Wang**

(10) **Patent No.:** **US D963,822 S**  
(45) **Date of Patent:** **\*\* Sep. 13, 2022**

(54) **AIR PURIFIER**

(71) Applicant: **ShenZhen HuaZeng Technology Co., Ltd**, Shenzhen (CN)

(72) Inventor: **Huazeng Wang**, Shenzhen (CN)

(73) Assignee: **Huazeng Wang**, Shenzhen (CN)

(\*\*) Term: **15 Years**

(21) Appl. No.: **29/794,957**

(22) Filed: **Jun. 16, 2021**

(51) **LOC (13) Cl.** ..... **23-04**

(52) **U.S. Cl.**  
USPC ..... **D23/364**

(58) **Field of Classification Search**  
USPC ..... D23/355-366, 352, 369, 332, 333, 335, D23/336, 342, 351; 422/120, 122; 55/356, 473, 504; 96/97; 261/DIG. 17, 261/DIG. 65, DIG. 88, DIG. 31  
CPC .. A61L 9/16; A61L 9/22; B01D 47/00; B01D 47/027; B01D 2221/02; B01D 2259/4508; B03C 3/155; B03C 3/368; F24F 3/16; F24F 13/20; F24F 13/28  
See application file for complete search history.

(56) **References Cited**

**U.S. PATENT DOCUMENTS**

D835,766 S	12/2018	Chen	
D844,767 S	4/2019	Chen	
D882,056 S *	4/2020	Baillie	D23/364
D886,272 S *	6/2020	Yang	D23/364

D886,975 S	6/2020	Yang et al.	
D888,923 S	6/2020	Zhong	
D905,220 S *	12/2020	Farone	D23/364
D905,841 S *	12/2020	Cao	D23/364
D912,795 S *	3/2021	Wang	D23/364
D919,071 S	5/2021	Zheng	
D938,565 S *	12/2021	Yang	D23/364
D938,566 S *	12/2021	Yang	D23/364
D942,604 S *	2/2022	Yang	D23/364
D944,379 S *	2/2022	Li	D23/364
D944,959 S *	3/2022	Wang	D23/364
D946,732 S *	3/2022	Xu	D23/364
D947,341 S *	3/2022	Xia	D23/364
D948,017 S *	4/2022	Chen	D23/364

\* cited by examiner

*Primary Examiner* — David G Muller

(74) *Attorney, Agent, or Firm* — Nitin Kaushik

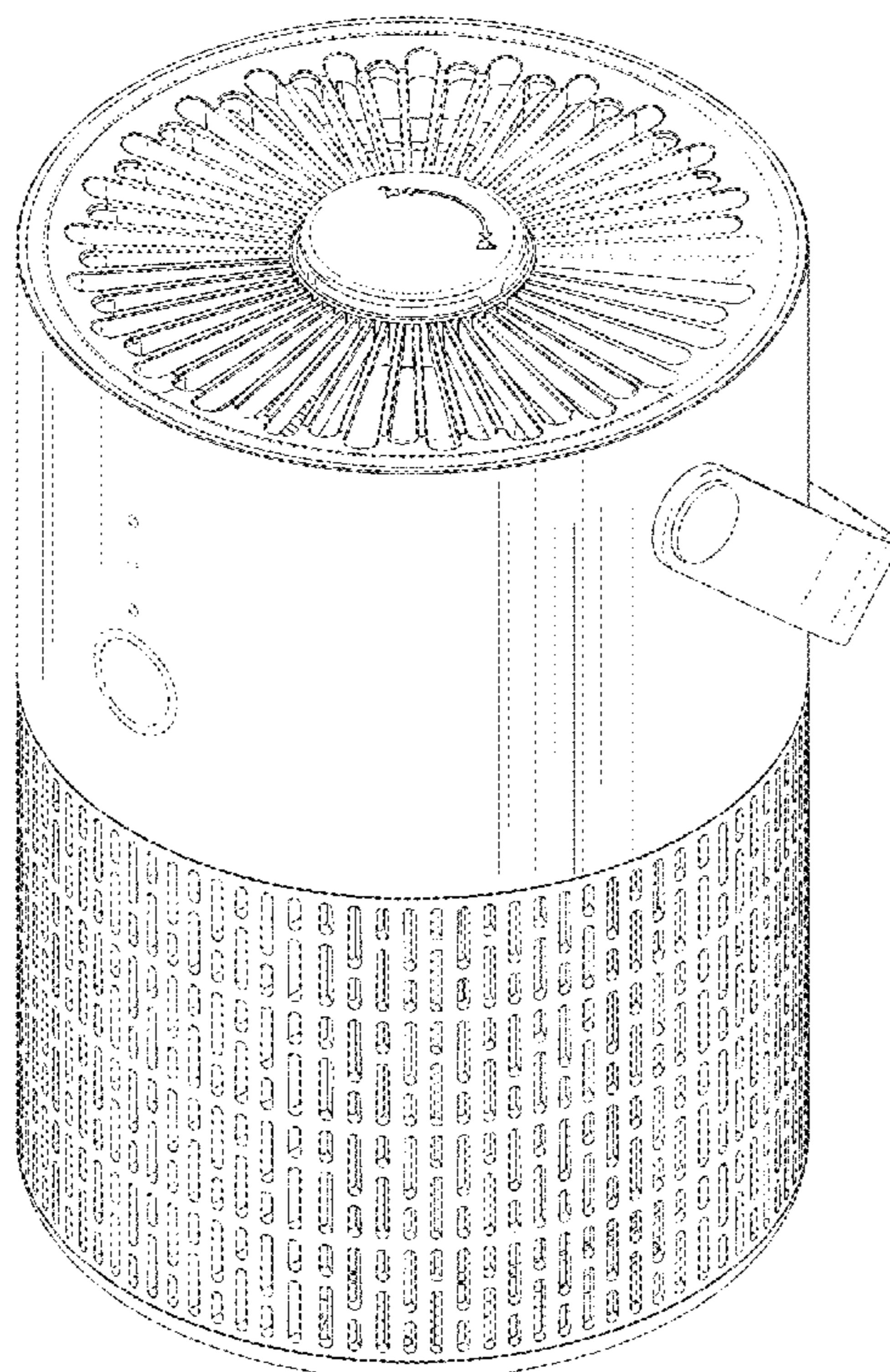
(57) **CLAIM**

The ornamental design for an air purifier, as shown and described.

**DESCRIPTION**

FIG. 1 is a perspective view of an air purifier showing my new design;  
FIG. 2 is a front elevational view thereof;  
FIG. 3 is a left elevational view thereof;  
FIG. 4 is a right elevational view thereof;  
FIG. 5 is a back elevational view thereof;  
FIG. 6 is a top plan view thereof;  
FIG. 7 is a bottom plan view thereof; and,  
FIG. 8 is a vertical cross sectional view thereof as seen along section line 8-8 of FIG. 6.

**1 Claim, 8 Drawing Sheets**



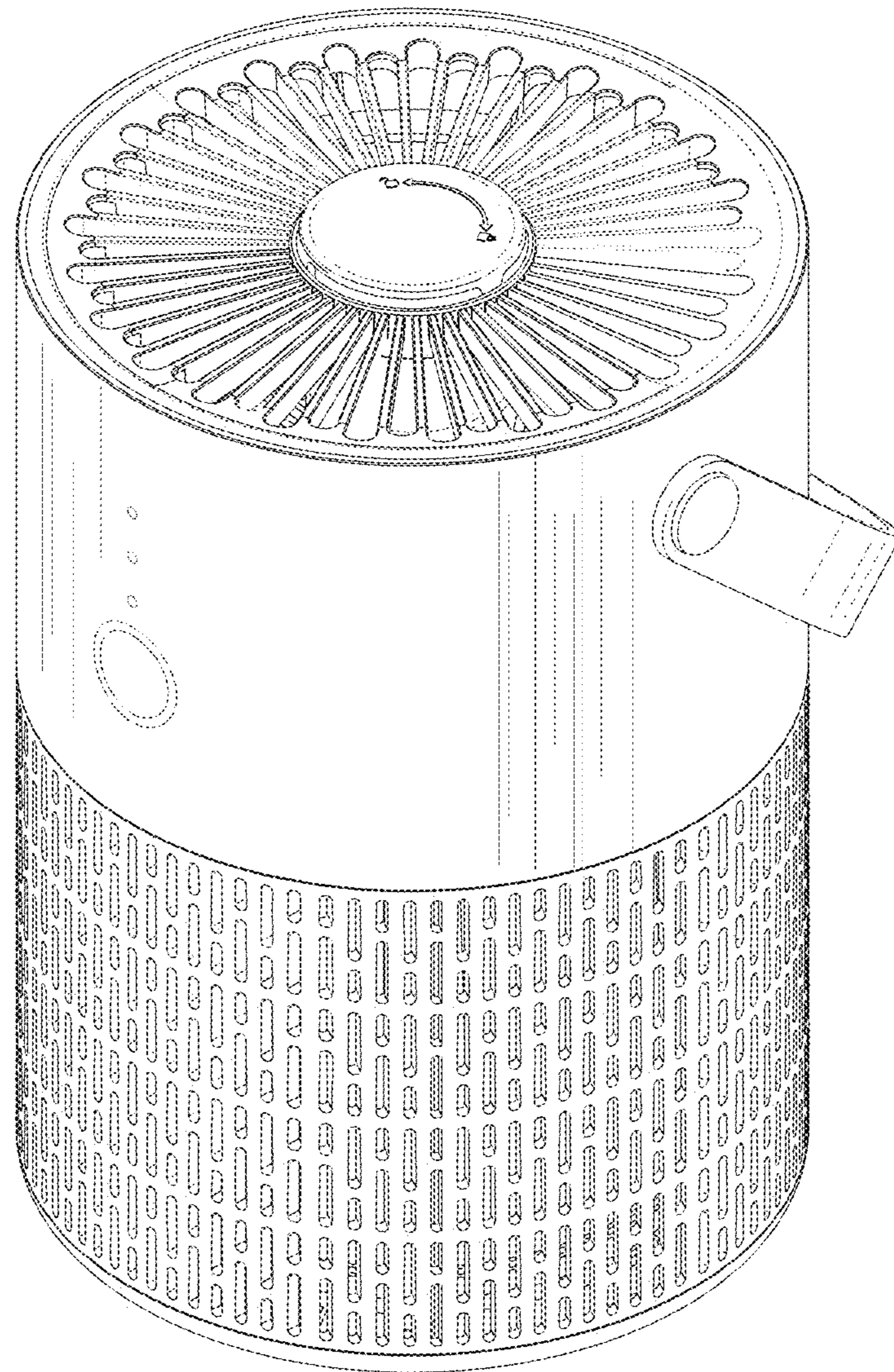


FIG.1

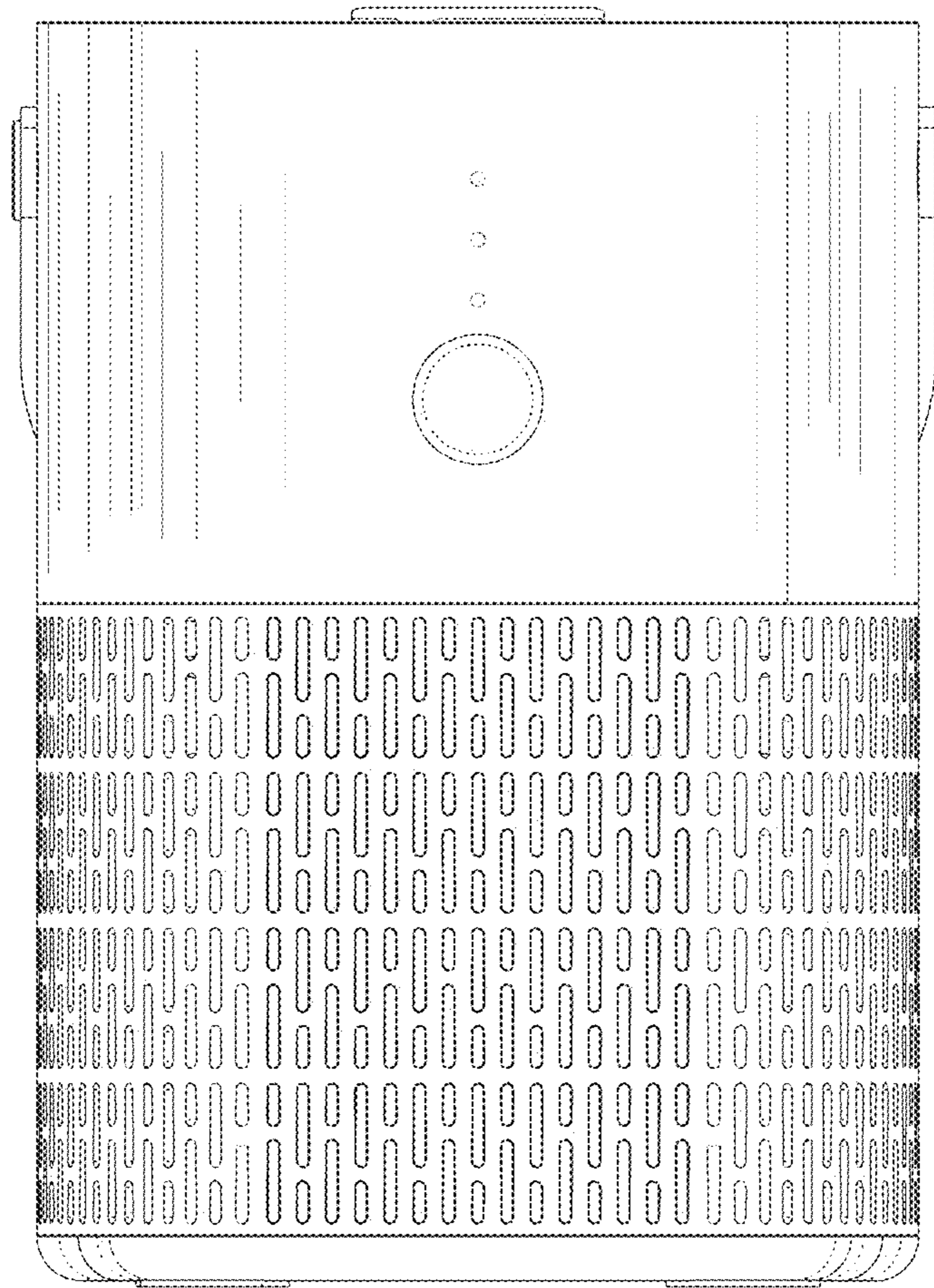


FIG.2

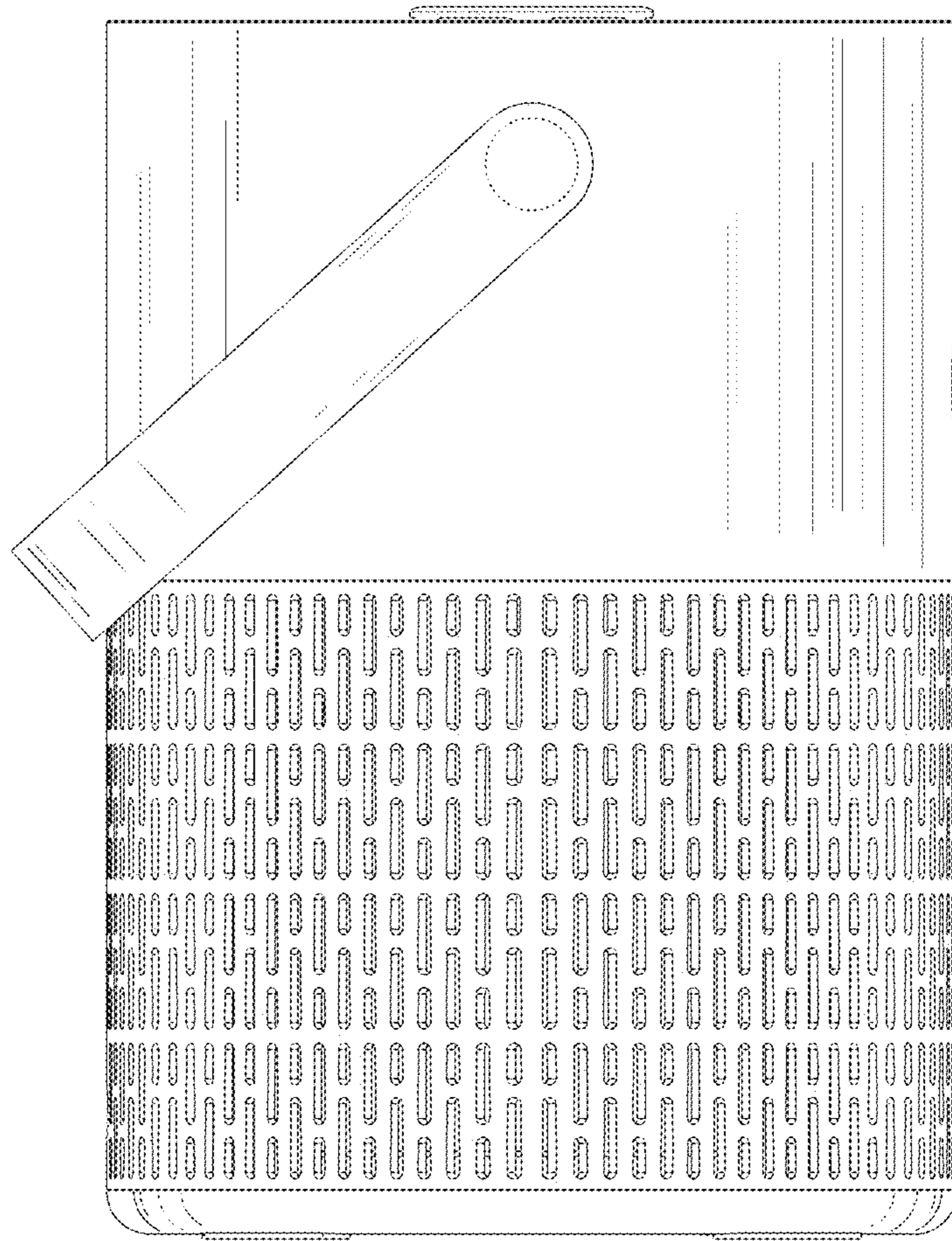


FIG.3

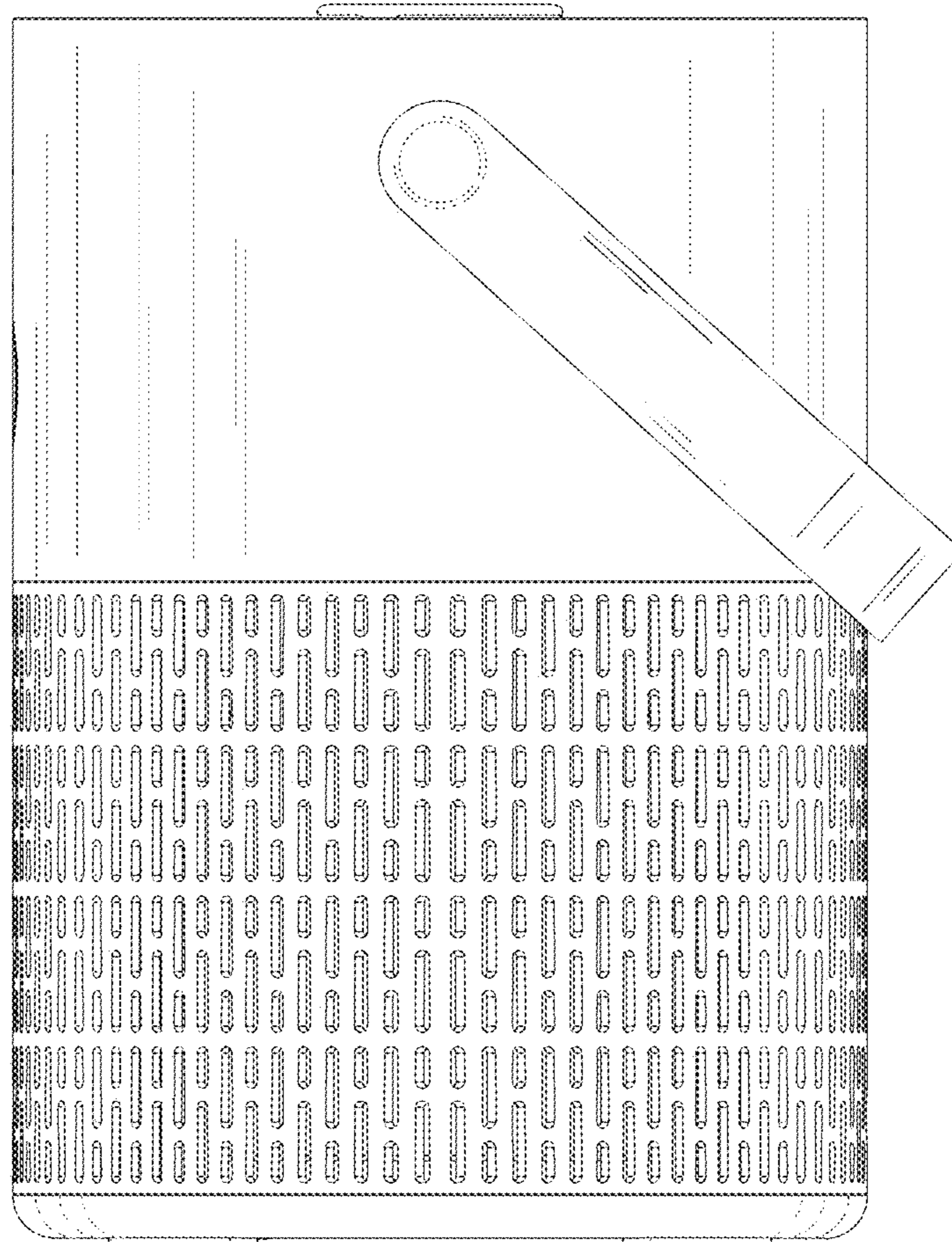
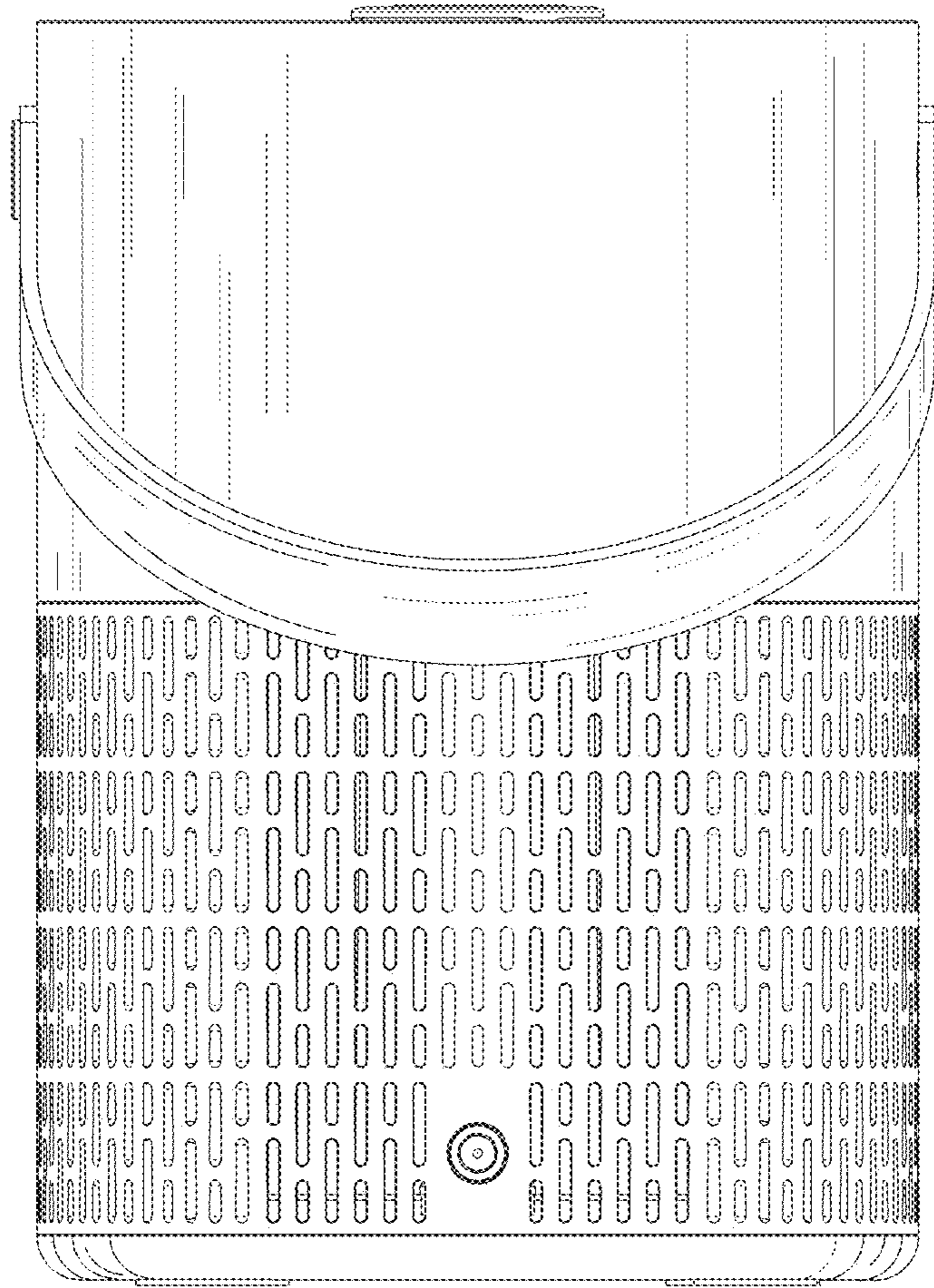
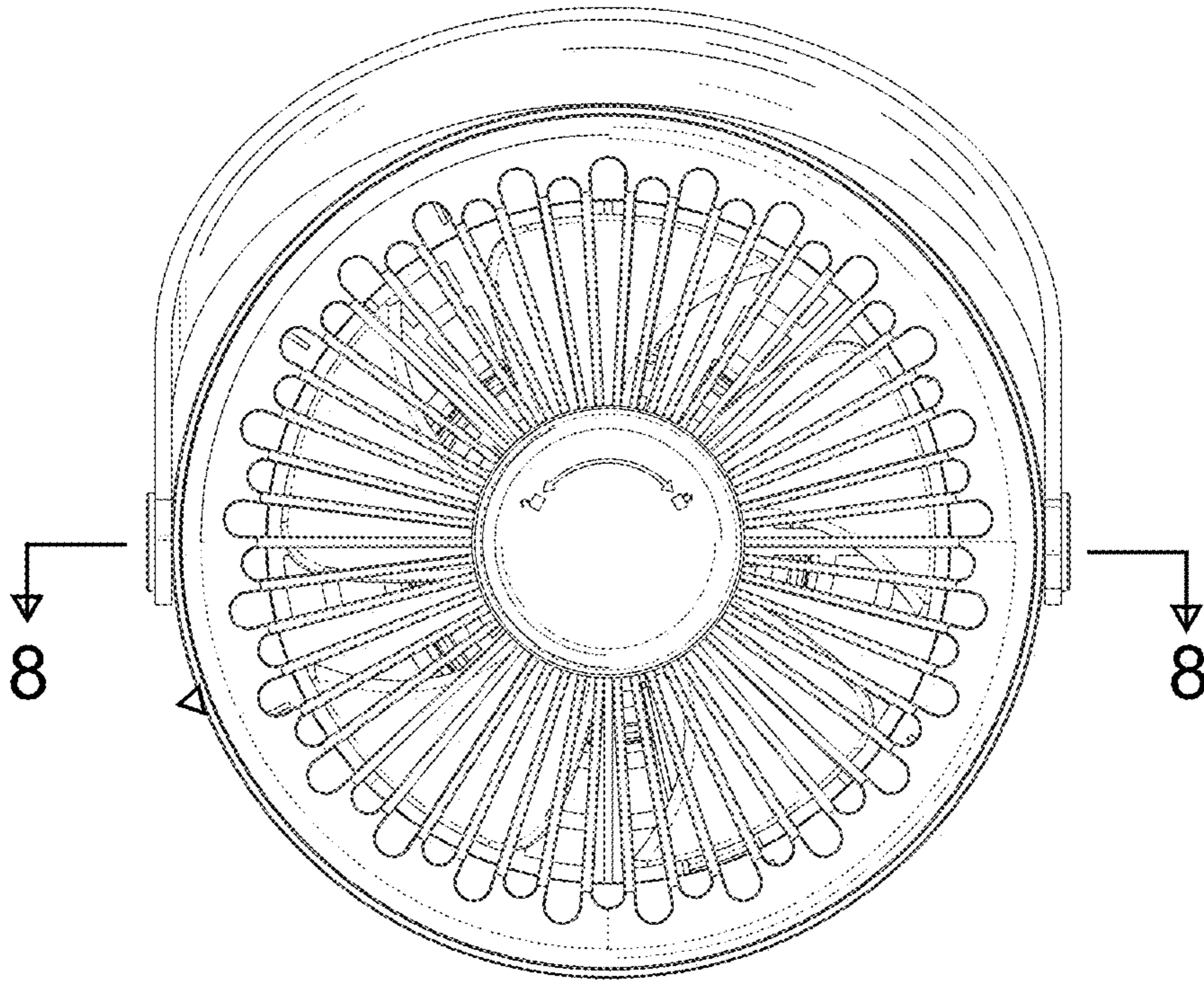


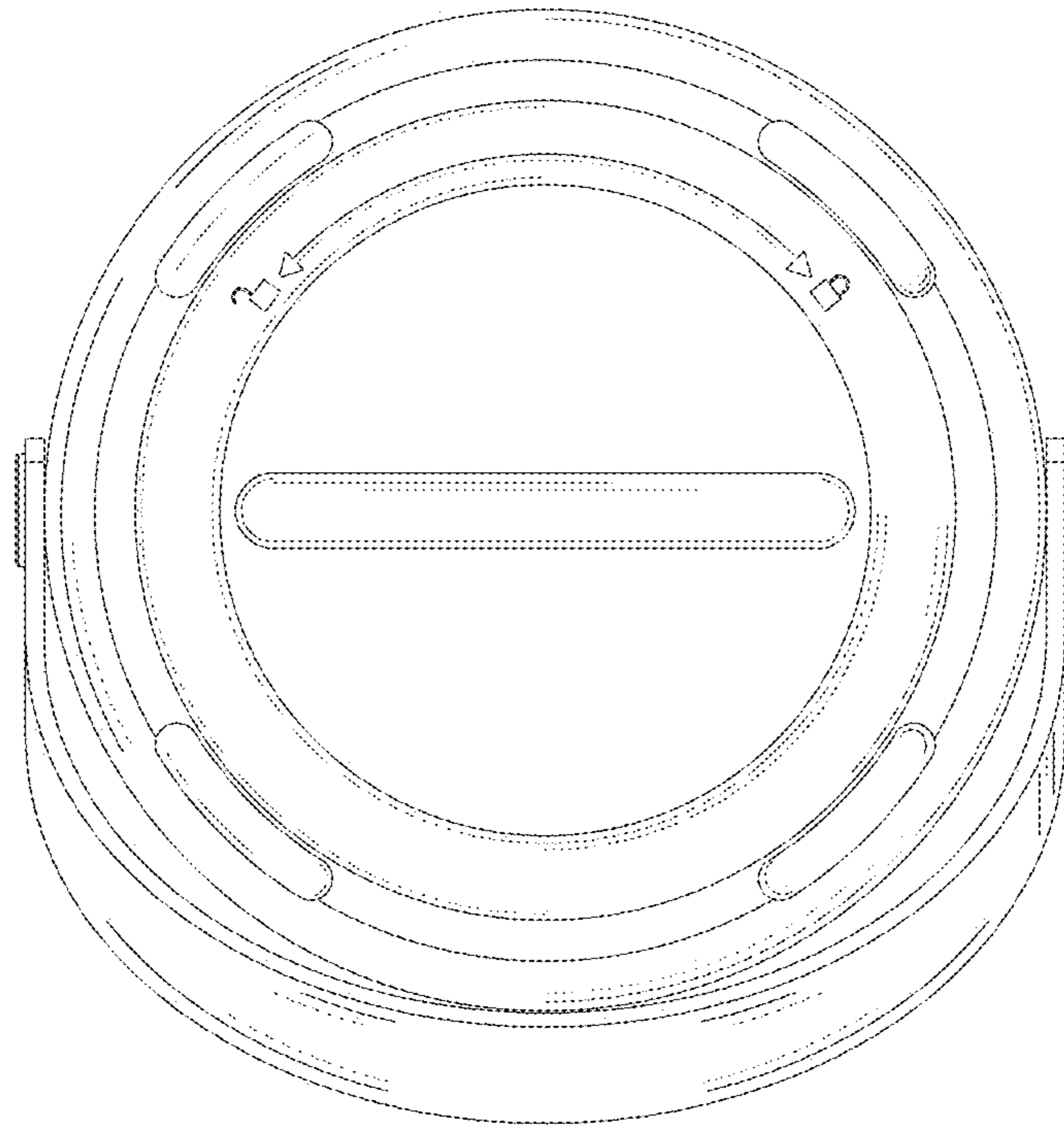
FIG.4



**FIG.5**



**FIG.6**



**FIG.7**



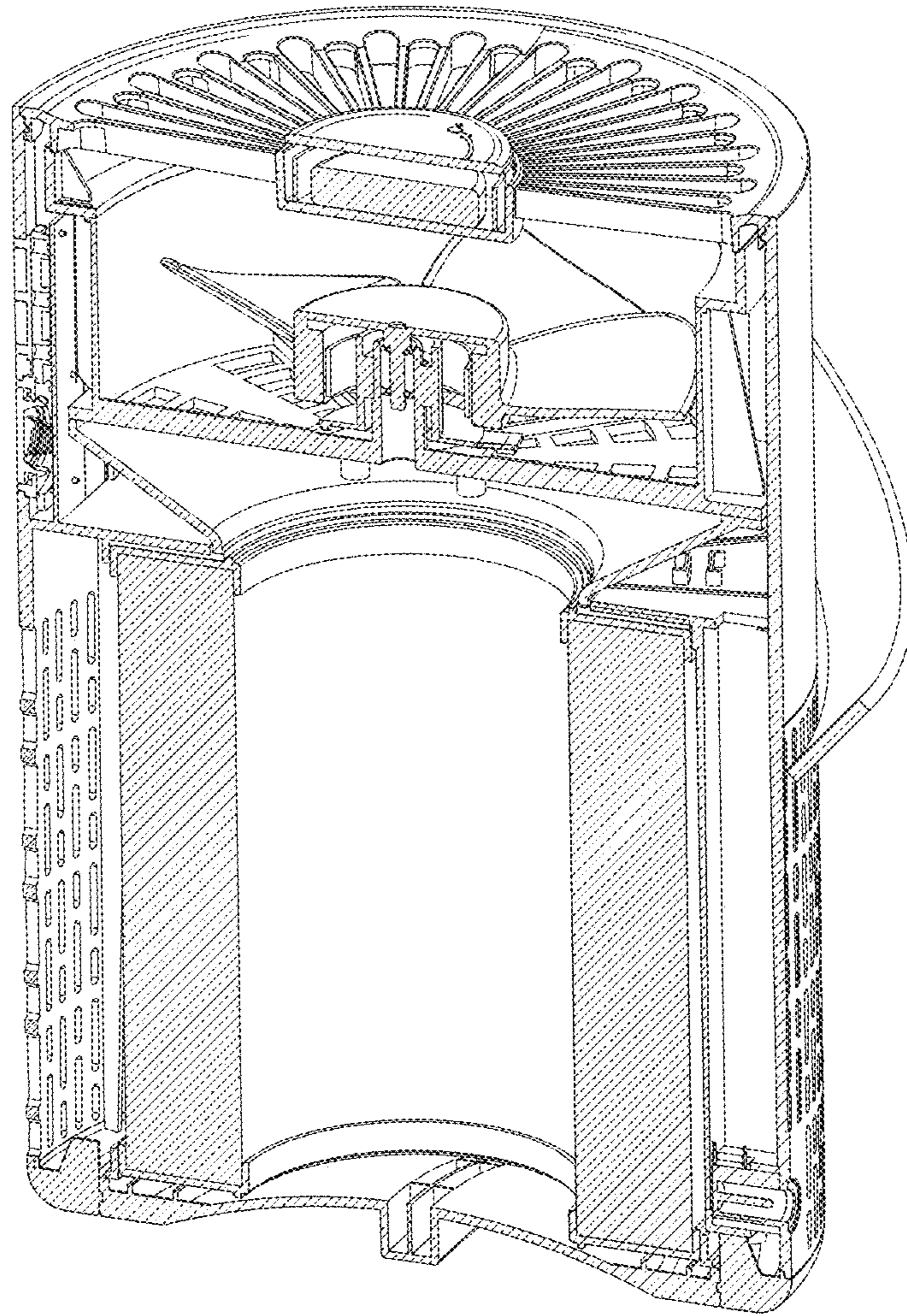


FIG.8