



US00D963821S

(12) **United States Design Patent** (10) **Patent No.:** **US D963,821 S**
Cho (45) **Date of Patent:** **** Sep. 13, 2022**

- (54) **AIR PURIFIER**
- (71) Applicant: **VOVO Corporation**, Seoul (KR)
- (72) Inventor: **Geumhwan Cho**, Torrance, CA (US)
- (73) Assignee: **VOVO Corporation**, Seoul (KR)
- (**) Term: **15 Years**
- (21) Appl. No.: **29/775,009**
- (22) Filed: **Mar. 19, 2021**
- (51) **LOC (13) Cl.** **23-04**
- (52) **U.S. Cl.**
USPC **D23/364**
- (58) **Field of Classification Search**
USPC D23/355-366, 352, 369, 332, 333, 335,
D23/336, 342, 351
CPC .. A61L 9/16; A61L 9/22; B01D 47/00; B01D
47/027; B01D 2221/02; B01D 2259/4508;
B03C 3/155; B03C 3/368; F24F 3/16;
F24F 13/20; F24F 13/28
See application file for complete search history.

D933,798 S *	10/2021	Wang	D23/364
D939,071 S *	12/2021	Seo	D23/364
D941,979 S *	1/2022	Luo	D23/359
D943,076 S *	2/2022	Yu	D23/364
D948,017 S *	4/2022	Chen	D23/364
D948,019 S *	4/2022	Kim	D23/364
D948,693 S *	4/2022	Li	D23/364
D950,696 S *	5/2022	Xie	D23/359
D951,416 S *	5/2022	Yan	D23/364
D951,418 S *	5/2022	Yan	D23/364

* cited by examiner

Primary Examiner — David G Muller
(74) *Attorney, Agent, or Firm* — Youngil Lee

(57) **CLAIM**

What is claimed is the ornamental design for an air purifier, as shown and described.

DESCRIPTION

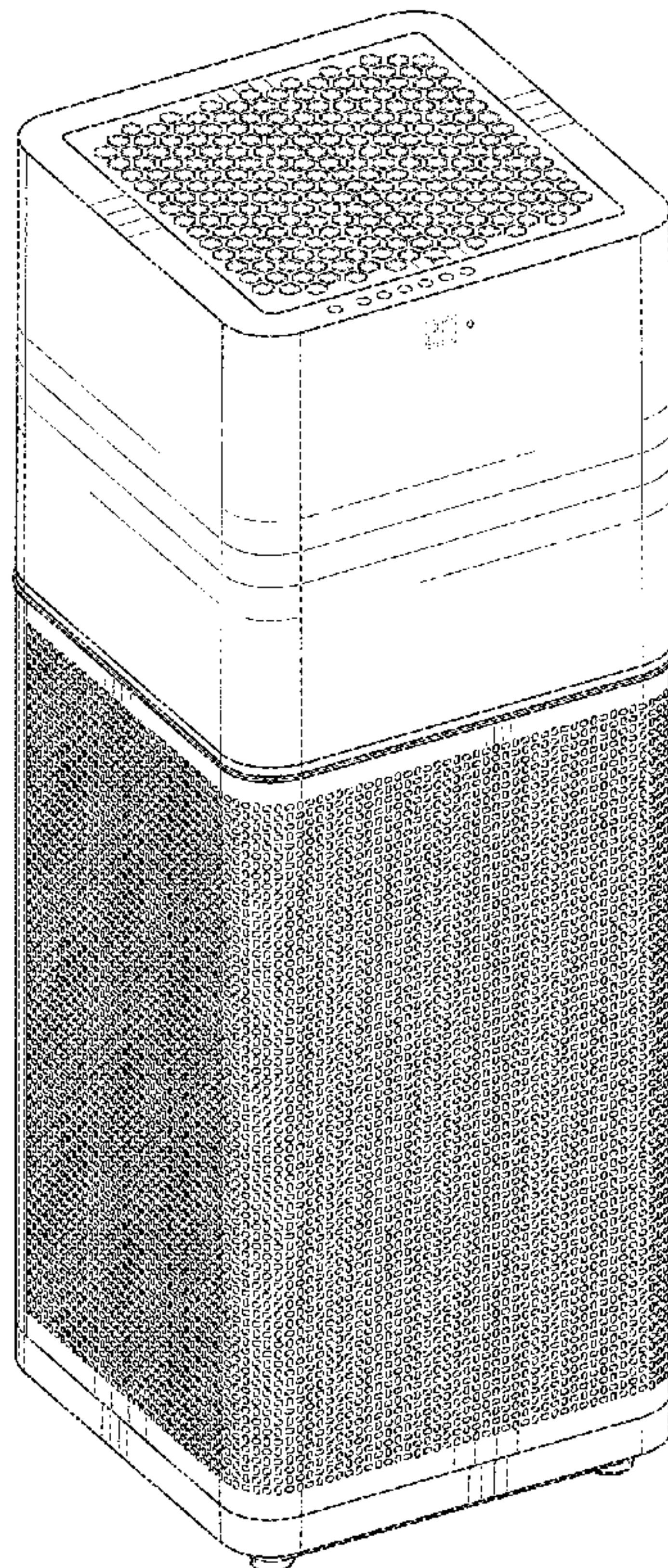
FIG. 1 is a top perspective view of an air purifier; FIG. 2 is a front view of the air purifier; FIG. 3 is a back view of the air purifier; FIG. 4 is a right view of the air purifier; FIG. 5 is a left view of the air purifier; FIG. 6 is a top view of the air purifier; and, FIG. 7 is a bottom view of the air purifier. The broken lines in the figures show portions of the air purifier that form no part of the claimed design.

1 Claim, 7 Drawing Sheets

(56) **References Cited**

U.S. PATENT DOCUMENTS

D862,673 S *	10/2019	Tang	D23/364
D912,796 S *	3/2021	Huang	D23/364
D917,683 S *	4/2021	Xie	D23/359
D918,371 S *	5/2021	Zeng	D23/364
D928,298 S *	8/2021	Zuo	D23/364



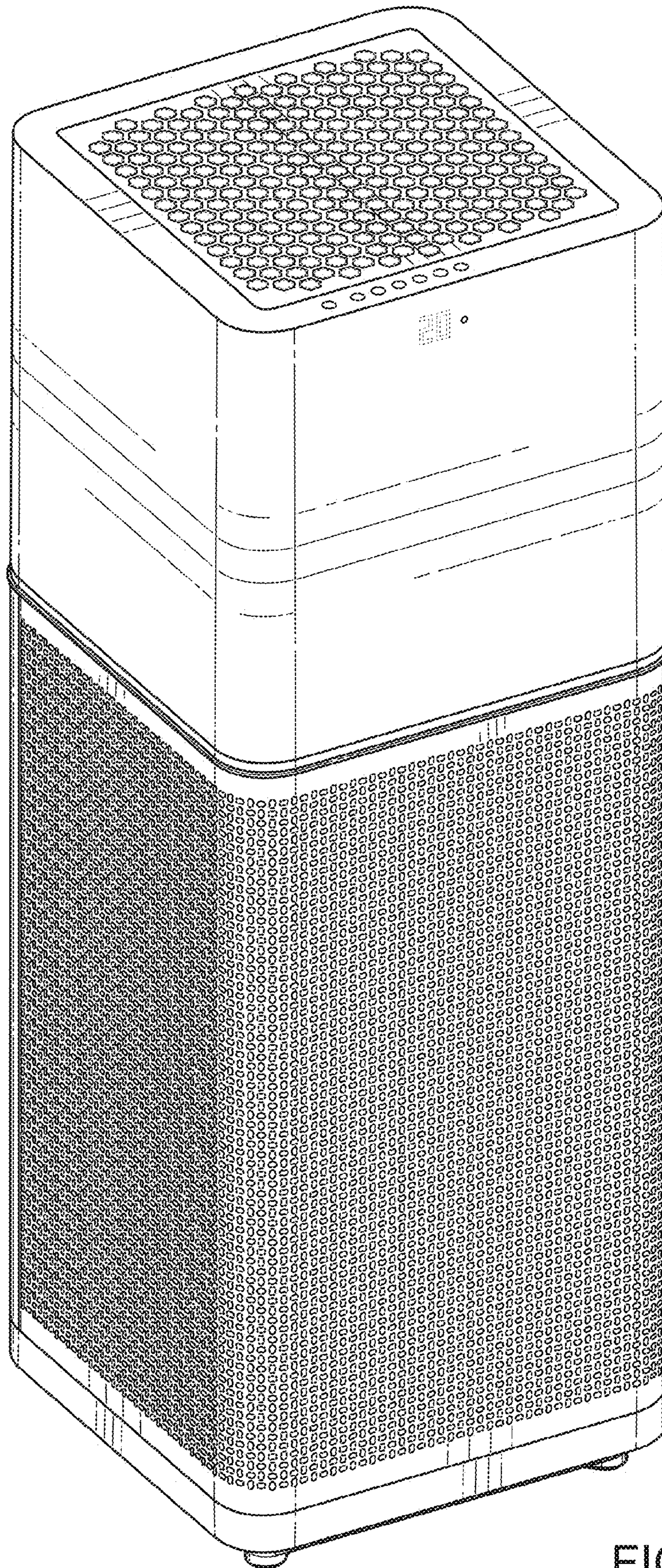


FIG. 1

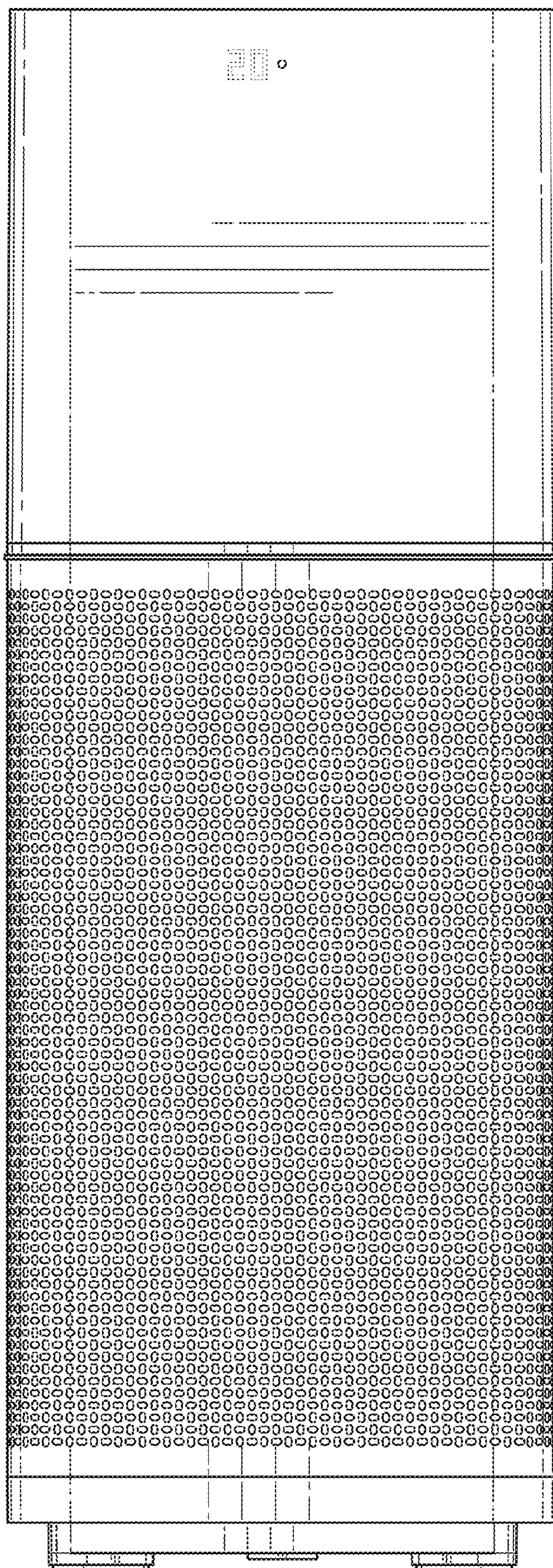


FIG. 2

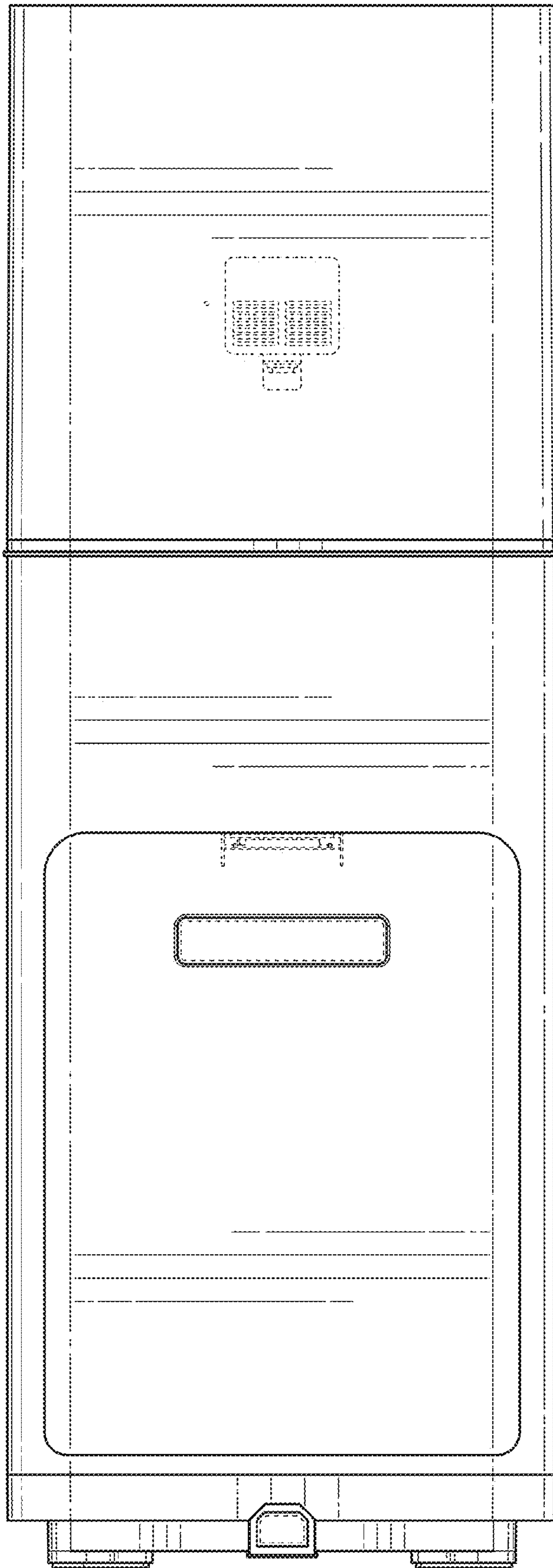


FIG. 3

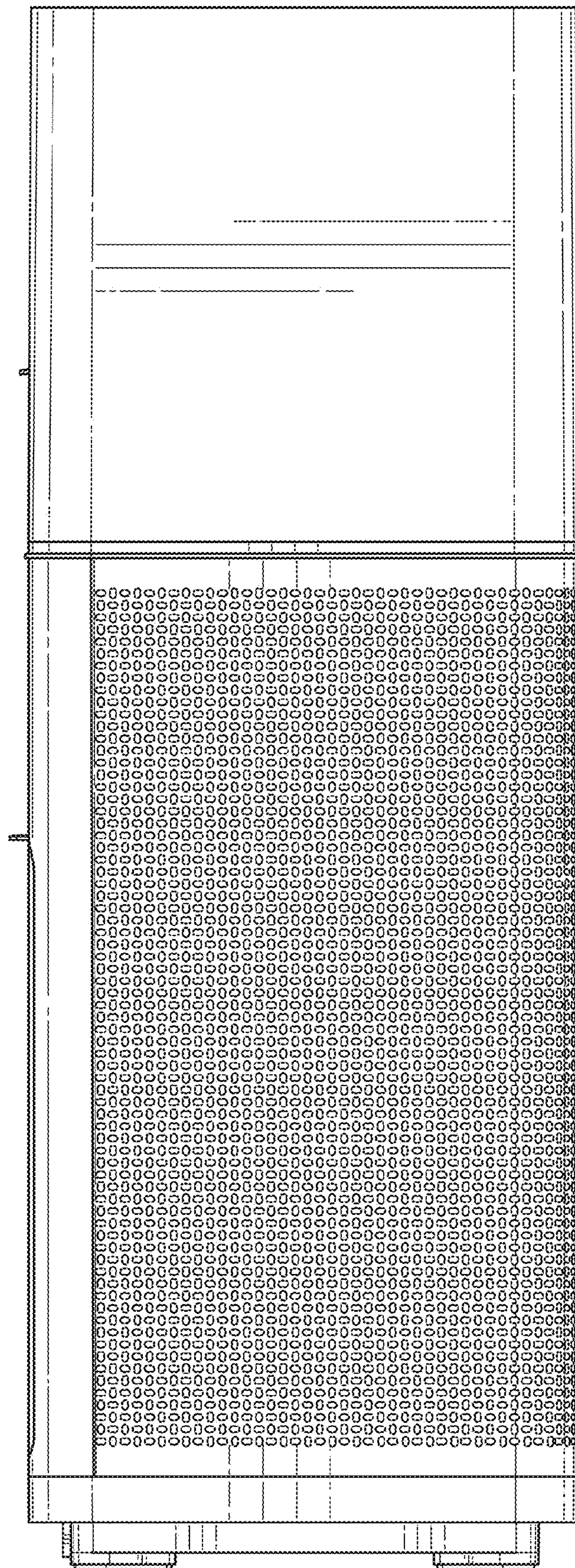


FIG. 4

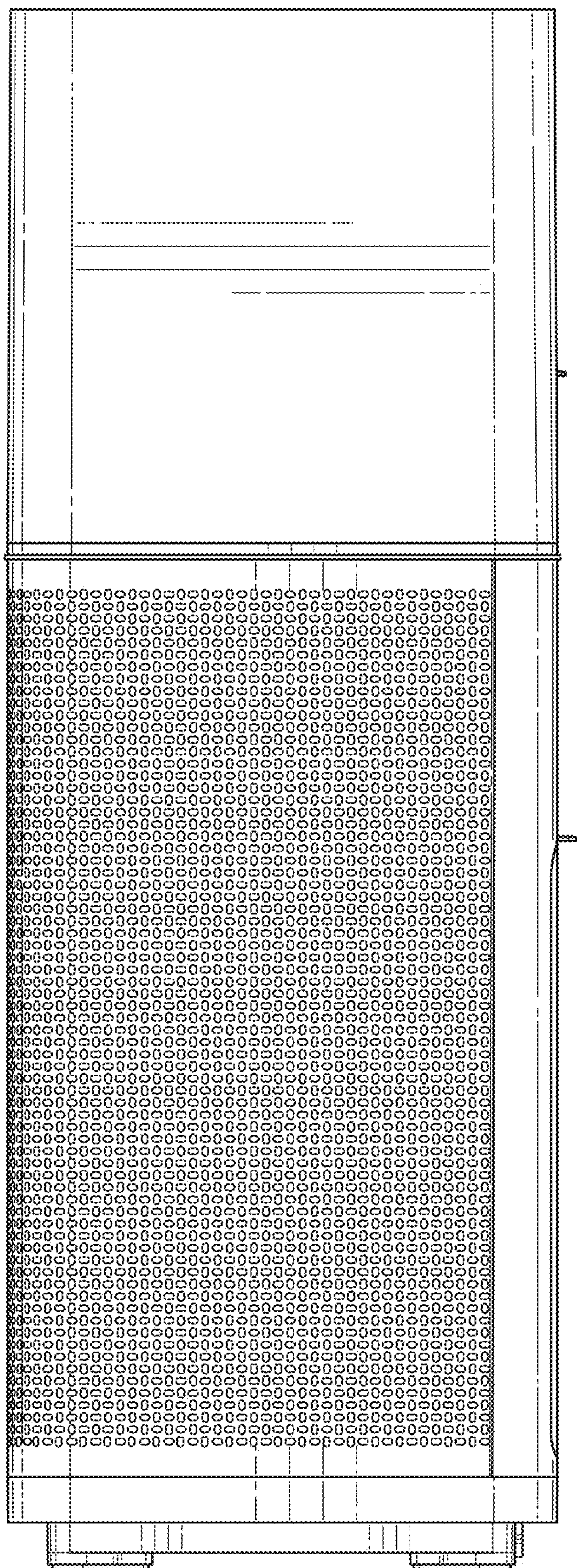


FIG. 5

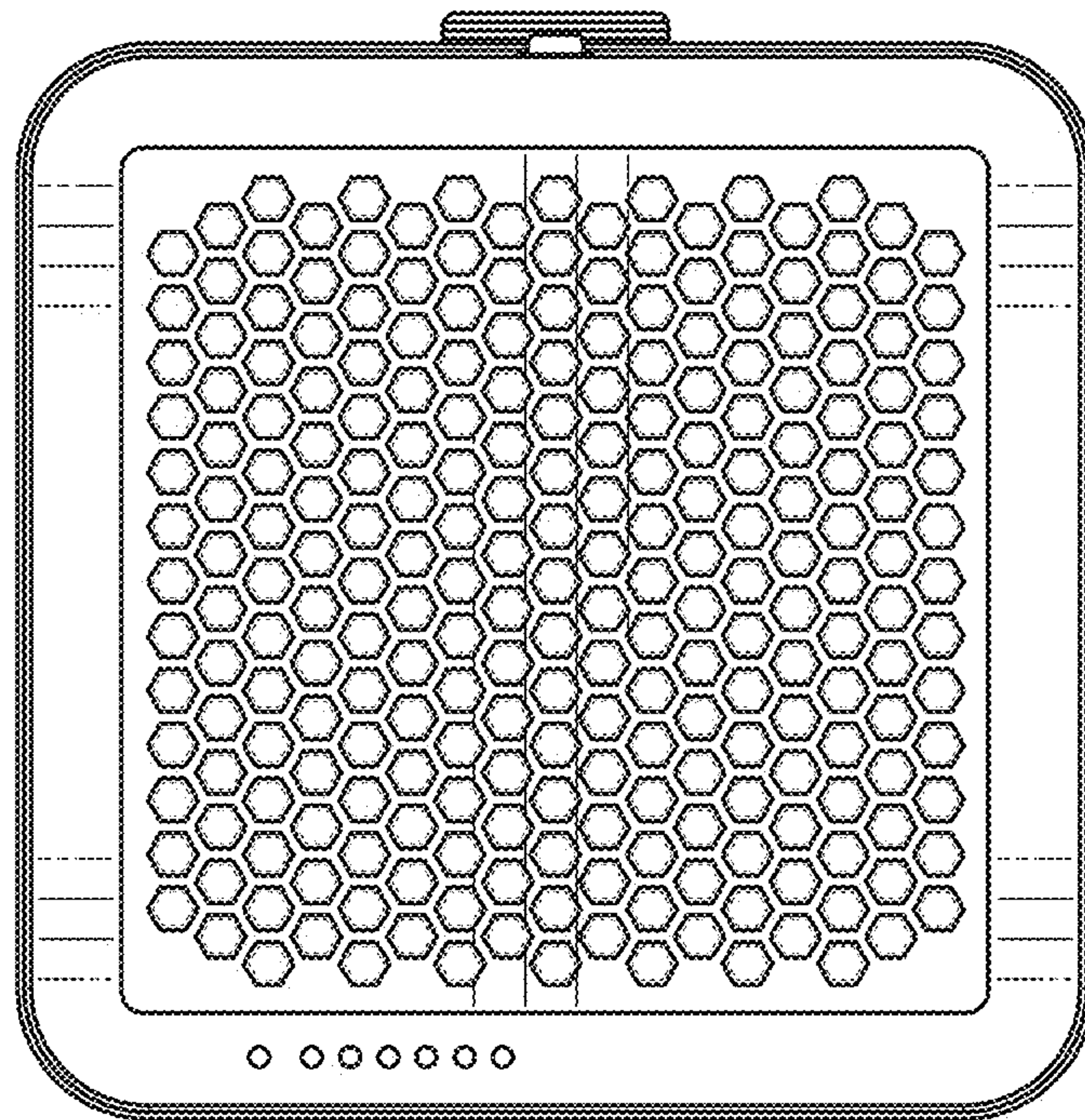


FIG. 6

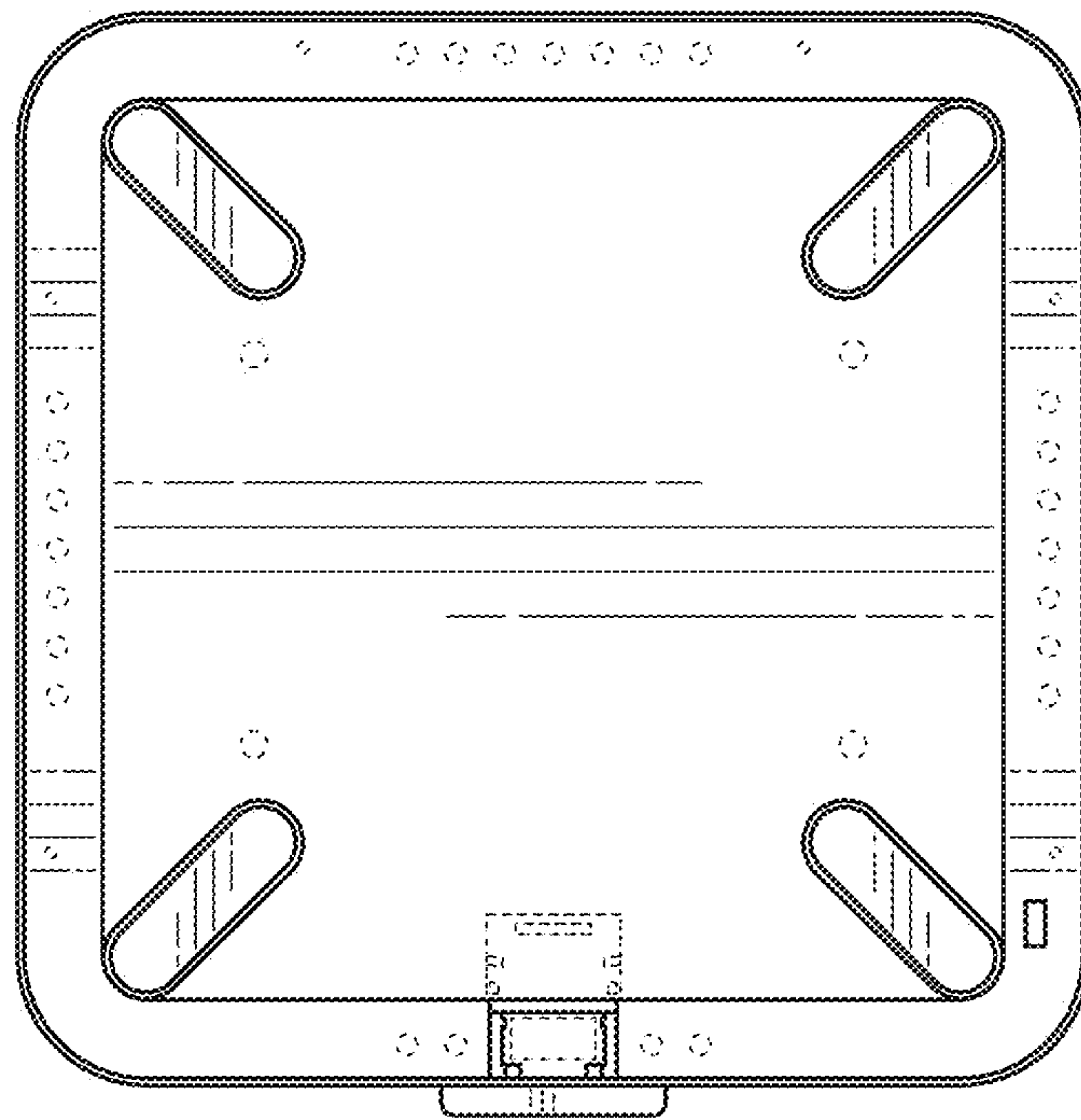


FIG. 7