



US00D963820S

(12) **United States Design Patent** (10) **Patent No.:** **US D963,820 S**
Bryant (45) **Date of Patent:** **** Sep. 13, 2022**

(54) **SANITIZING FOGGER**
(71) Applicant: **Tabitha Angel Bryant**, Columbia, SC (US)
(72) Inventor: **Tabitha Angel Bryant**, Columbia, SC (US)
(**) Term: **15 Years**
(21) Appl. No.: **29/753,006**
(22) Filed: **Sep. 29, 2020**
(51) **LOC (13) Cl.** **23-01**
(52) **U.S. Cl.**
USPC **D23/360**
(58) **Field of Classification Search**
USPC D23/213, 332-336, 342, 351-352, D23/355-366, 369, 370
CPC A62B 21/00; B01D 46/0002; B01D 46/10; F02M 35/04; F24F 13/20
See application file for complete search history.

2010/0150785 A1 6/2010 Woolman
2010/0166598 A1 7/2010 Bromber
2015/0083715 A1* 3/2015 Shuert B65D 19/18
206/599
2017/0233160 A1* 8/2017 Hudson B65D 25/28
222/183

(Continued)

FOREIGN PATENT DOCUMENTS

JP 2011149948 A 8/2011

OTHER PUBLICATIONS

Commercial Zone 737103 30-Gallon Hex Waste Container, Nov. 2, 2011, amazon.ca, Jun. 3, 2022, URL: <https://www.amazon.ca/DCI-Marketing-737103-30-Gallon-Container/dp/B000E1B9GO/> (Year: 2011).*

(Continued)

Primary Examiner — Keith J Wilson

(57) **CLAIM**

The ornamental design for a sanitizing fogger, as shown and described.

(56) **References Cited**

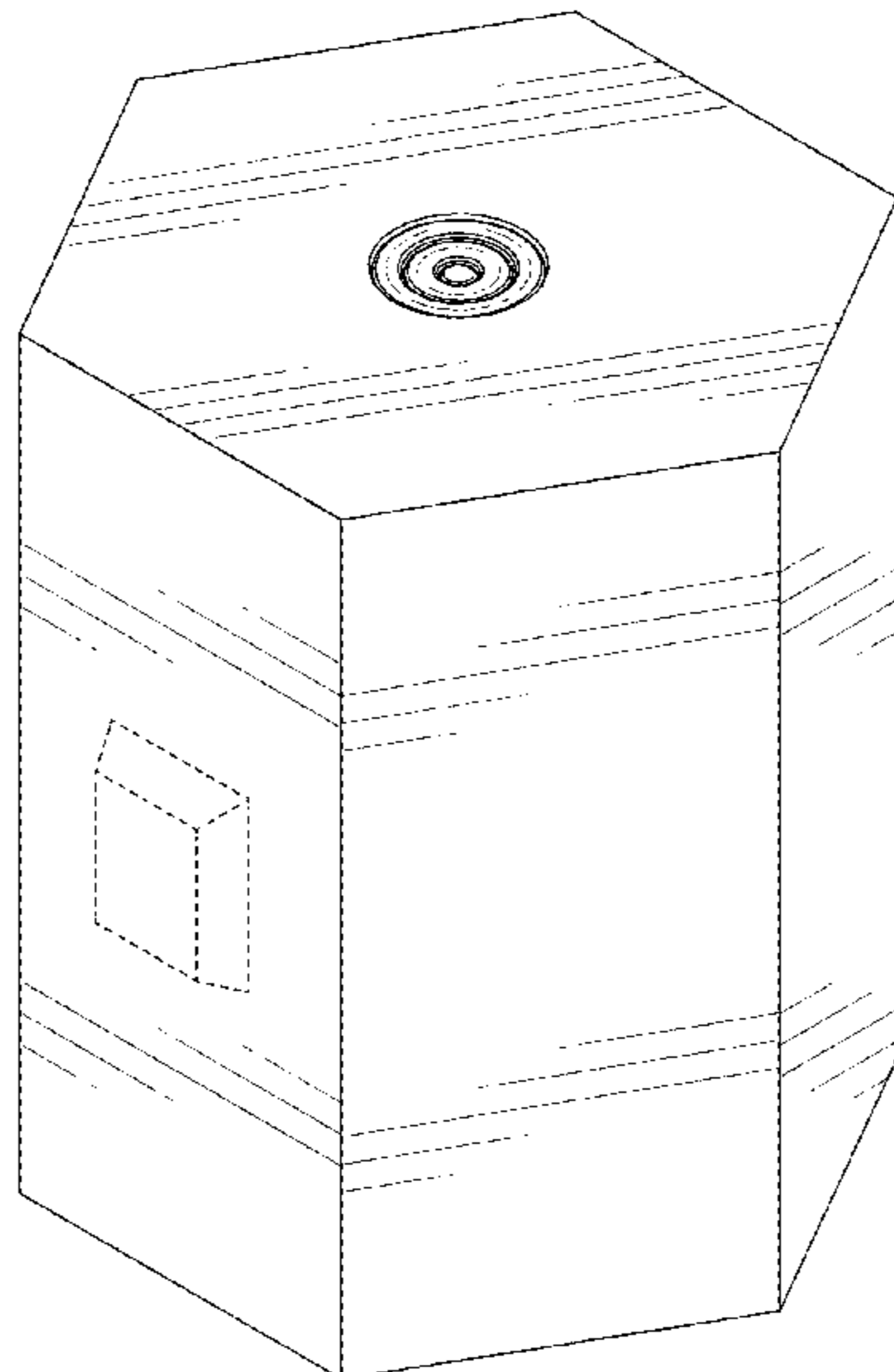
U.S. PATENT DOCUMENTS

D271,712 S * 12/1983 Rodgers D23/351
D328,168 S * 7/1992 Bartle D34/1
D429,429 S * 8/2000 Murphy D6/678
D434,481 S * 11/2000 Bornstein D23/366
D570,476 S * 6/2008 Sudo D24/130
D582,266 S * 12/2008 Helms, Jr. D9/430
D645,951 S * 9/2011 Dupre D23/393
D672,645 S * 12/2012 Giannini D9/430
D756,037 S * 5/2016 Schlatter D9/559
D764,909 S * 8/2016 Tulin D9/433
D822,482 S * 7/2018 Dib D9/430
D846,197 S * 4/2019 Apodaca D9/559
D849,530 S * 5/2019 Fremgen D9/737
D906,802 S * 1/2021 Chi D9/430
D930,230 S * 9/2021 Fornarelli D27/162
D934,070 S * 10/2021 Beckmann Legorreta D9/430
D936,354 S * 11/2021 Margetis D3/203.1
2005/0112022 A1 5/2005 Morgan

DESCRIPTION

FIG. 1 is a front-top perspective view of a sanitizing fogger showing my new design;
FIG. 2 is a front-bottom perspective view thereof;
FIG. 3 is a front elevational view thereof;
FIG. 4 is a rear elevational view thereof;
FIG. 5 is a left elevational view thereof, where the right elevation view is mirrored thereto;
FIG. 6 is a top plan view thereof; and,
FIG. 7 is a bottom plan view thereof.
The broken line showing of the claim is included for the purpose of illustrating portion of a sanitizing fogger and forms no part of the claimed design.

1 Claim, 7 Drawing Sheets



(56)

References Cited

U.S. PATENT DOCUMENTS

2022/0096687 A1* 3/2022 Bryant A61L 9/14

OTHER PUBLICATIONS

Ticktime Pomodoro Timer, Desk Timer Cube, Hexagon, Sep. 21, 2020, amazon.ca, Jun. 3, 2022, URL: <https://www.amazon.ca/PIHEN-Multi-Function-Electronic-Function-Suitable/dp/B08HWCWY6Z/> (Year: 2020).*

Achim Home Furnishings Collapsible Hexagon Storage Ottoman, May 15, 2017, amazon.ca, Jun. 3, 2022, URL: <https://www.amazon.com/Achim-Home-Furnishings-OTHFL15BK4-Collapsible/dp/B0719HD13V/> (Year: 2017).*

Exquisite Ball Shape Liquid Hand Wash Sanitizer Bottle, <https://www.newegg.com/p/11R-01V7-00PE1>.

* cited by examiner

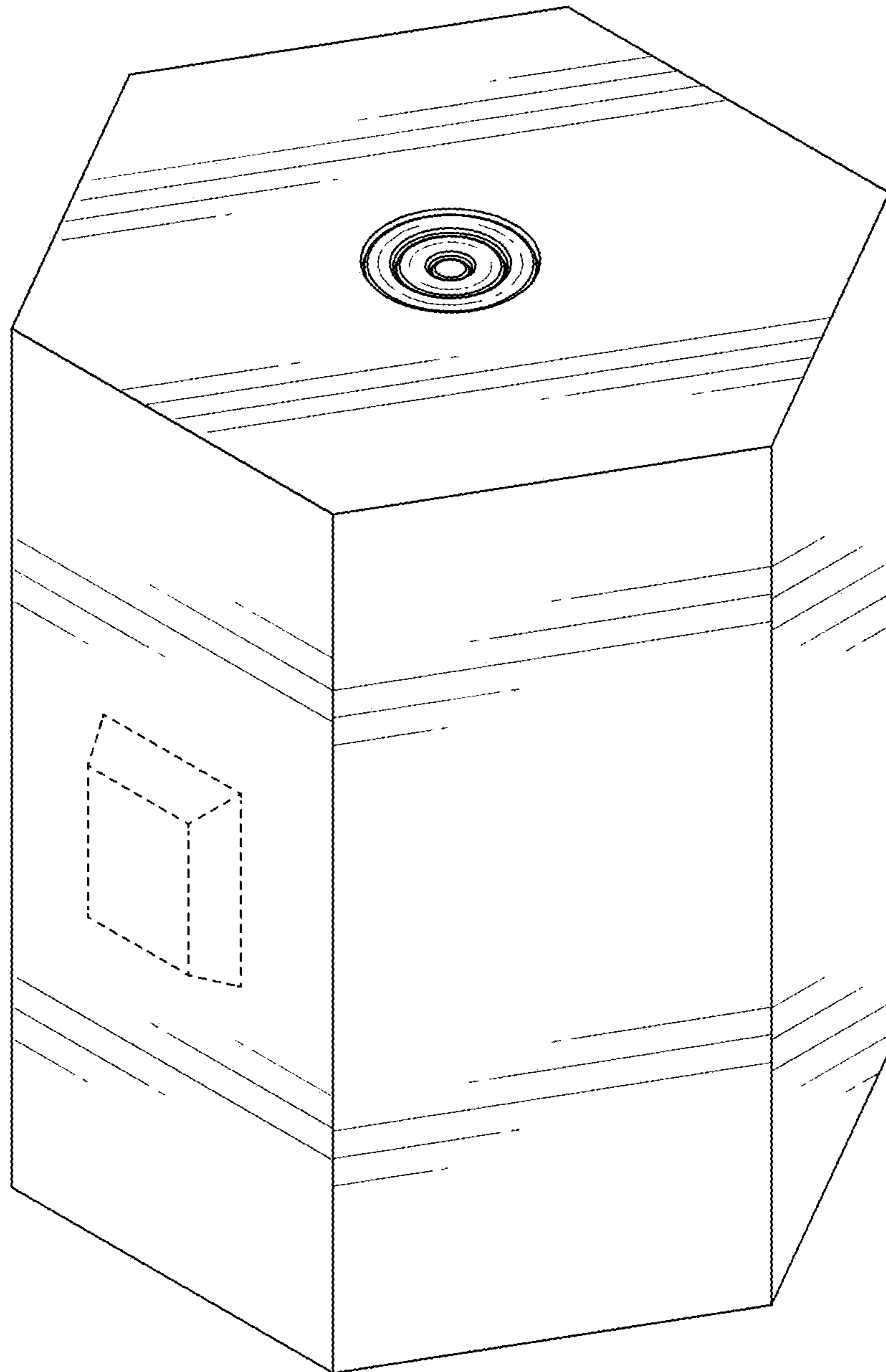


FIG. 1

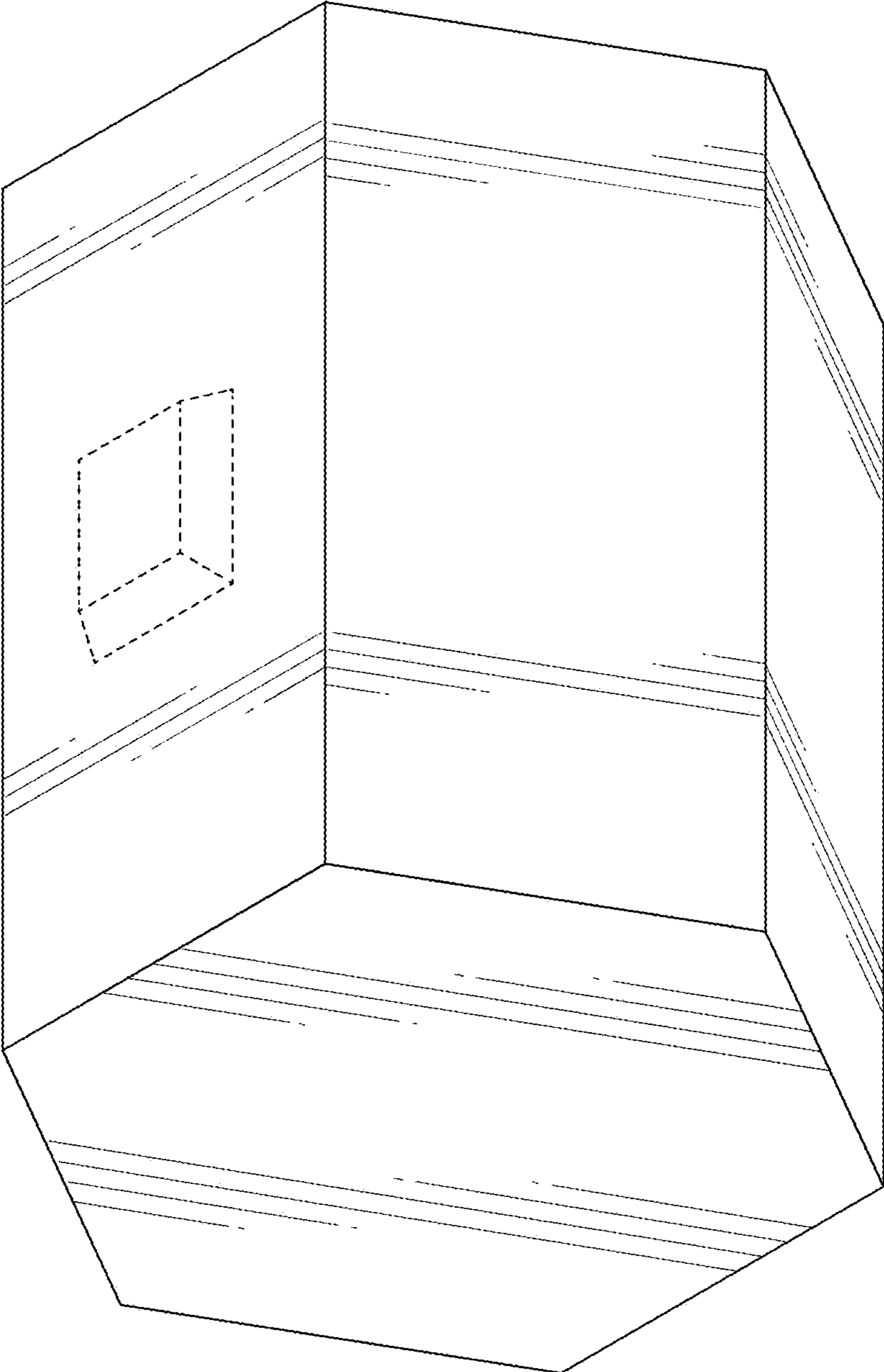


FIG. 2

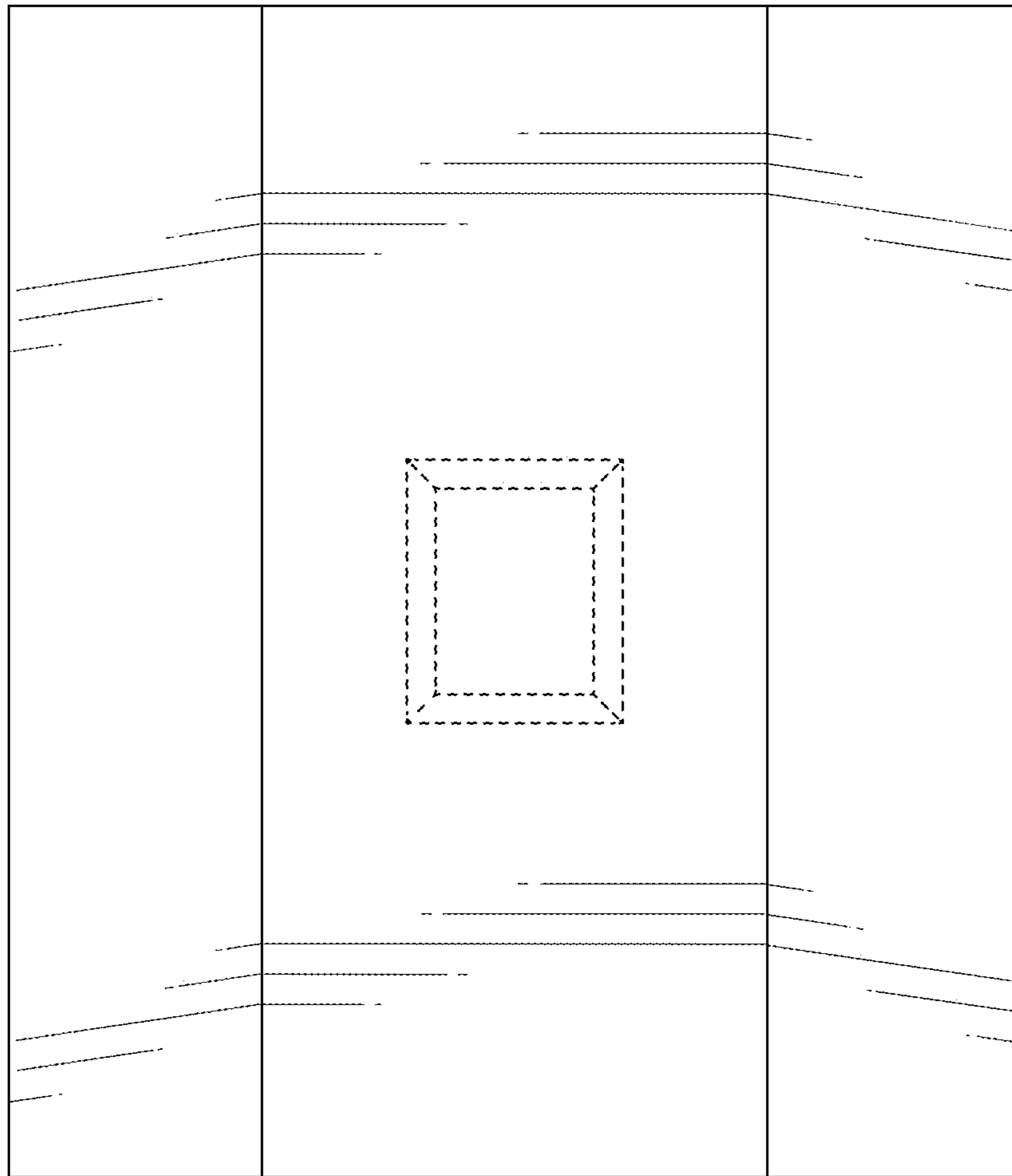


FIG. 3

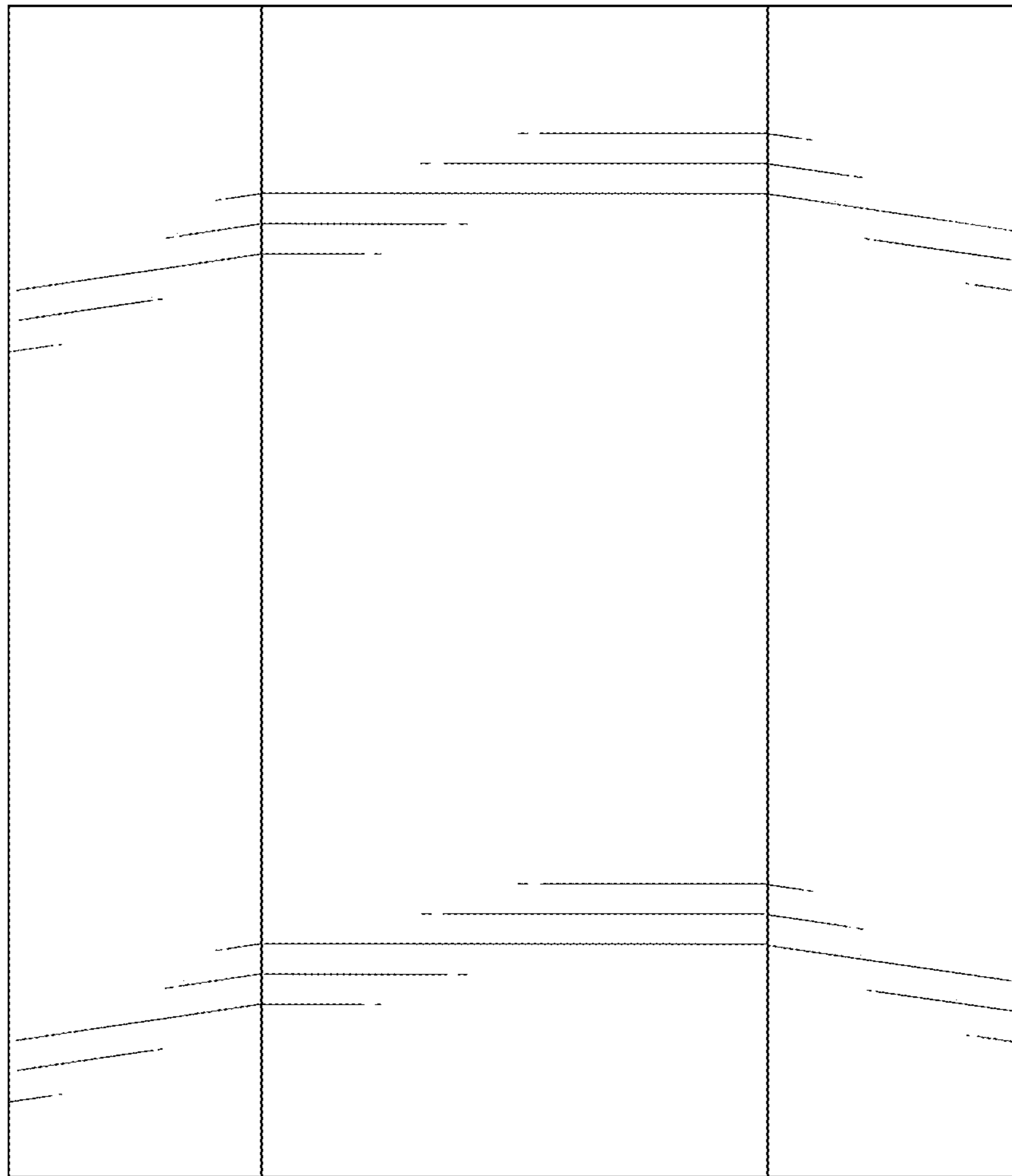


FIG. 4

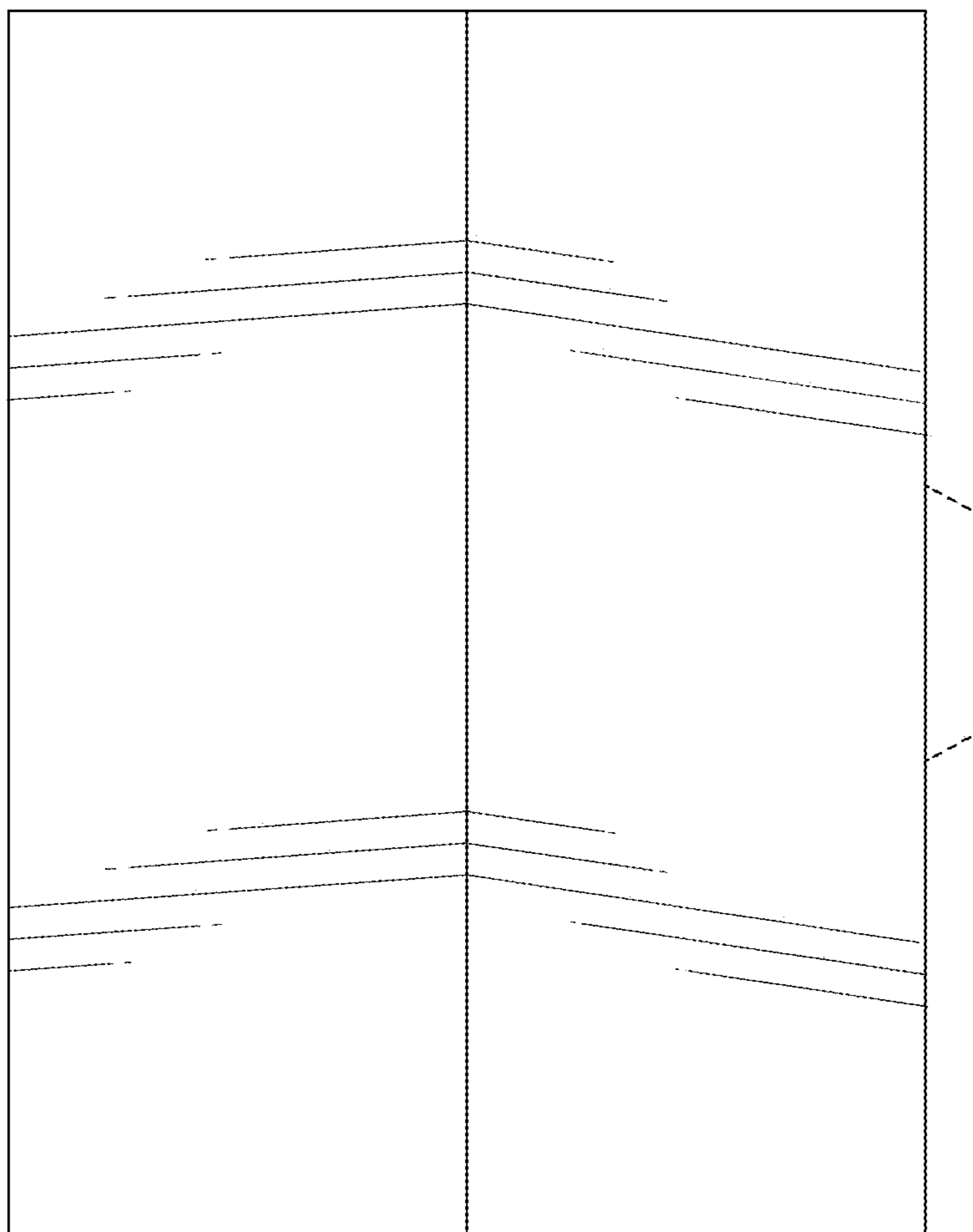


FIG. 5

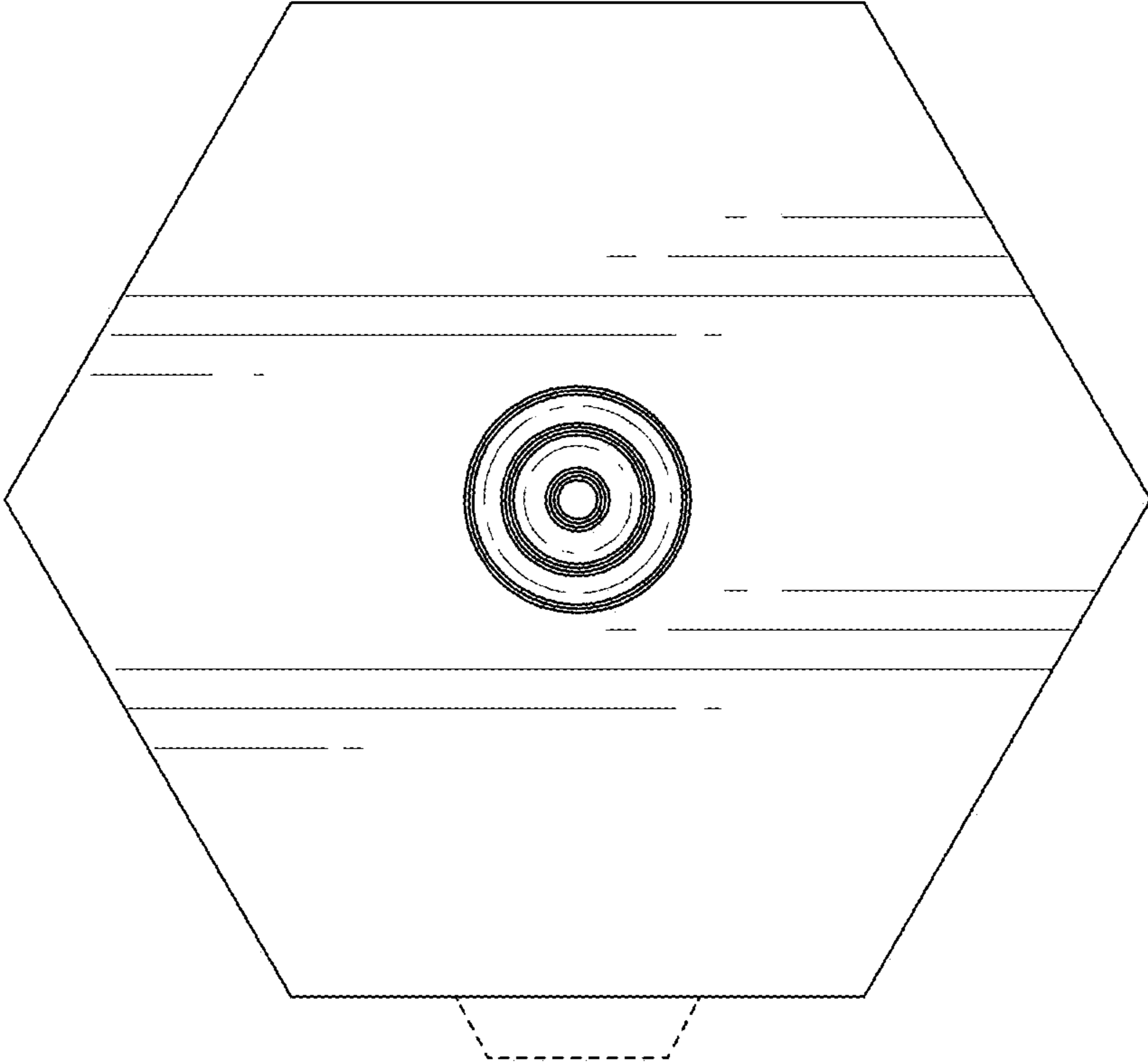


FIG. 6

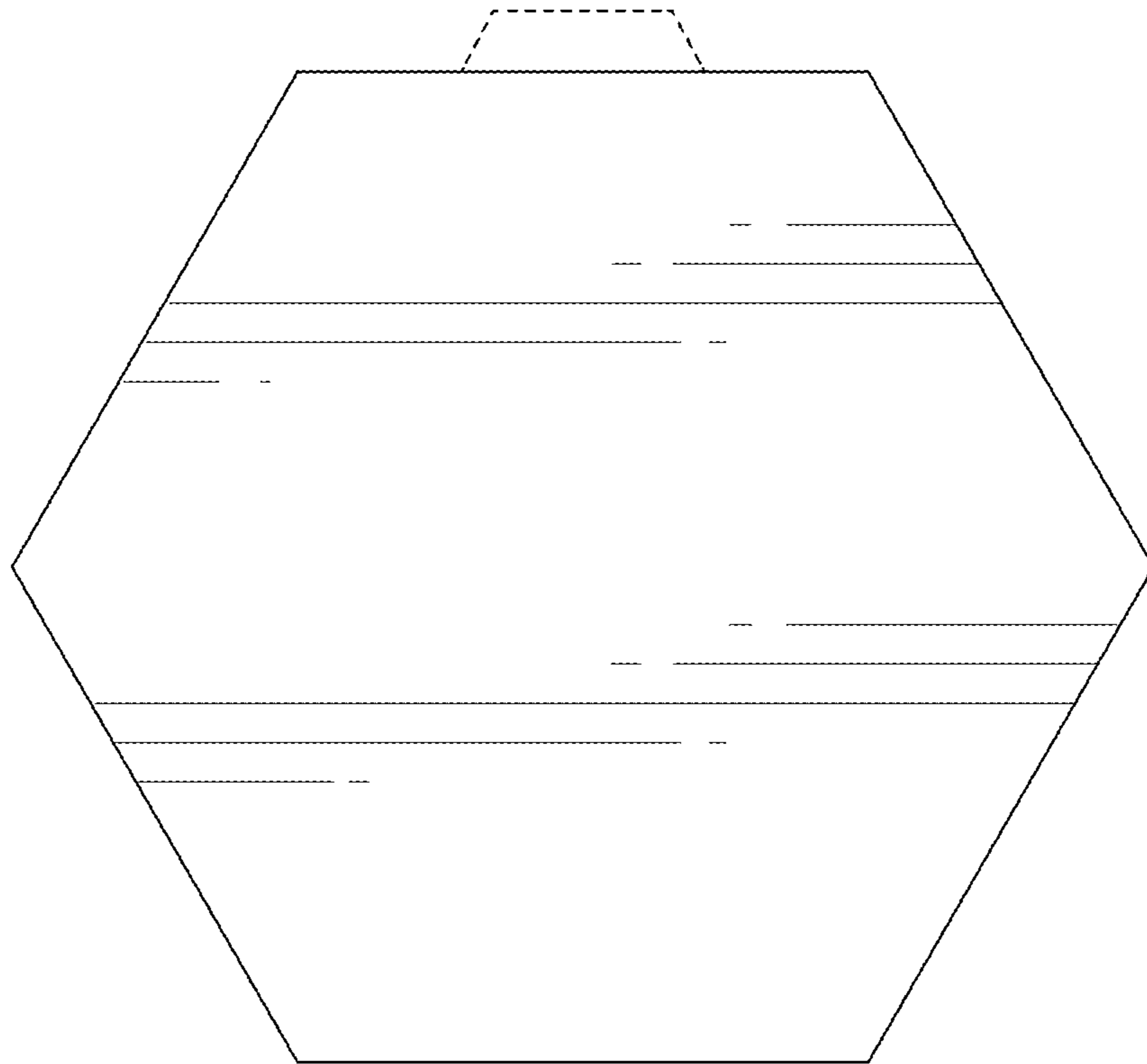


FIG. 7