



US00D963819S

(12) **United States Design Patent** (10) **Patent No.:** **US D963,819 S**
Wu (45) **Date of Patent:** **** Sep. 13, 2022**

(54) **HUMIDIFIER**
(71) Applicant: **Shufeng Wu, Xi'an (CN)**
(72) Inventor: **Shufeng Wu, Xi'an (CN)**
(**) Term: **15 Years**
(21) Appl. No.: **29/812,002**
(22) Filed: **Oct. 19, 2021**
(51) **LOC (13) Cl.** **23-04**
(52) **U.S. Cl.**
USPC **D23/356**
(58) **Field of Classification Search**
USPC D23/355-366, 352, 369, 332, 333, 335,
D23/336, 342, 351
CPC .. A61L 9/16; A61L 9/22; B01D 47/00; B01D
47/027; B01D 2221/02; B01D 2259/4508;
B03C 3/155; B03C 3/368; F24F 3/16;
F24F 13/20; F24F 13/28
See application file for complete search history.

D881,366 S * 4/2020 Kihm D23/366
D881,367 S * 4/2020 Kihm D23/366
D886,272 S * 6/2020 Yang D23/364
D892,288 S 8/2020 Baillie et al.
D892,289 S 8/2020 Baillie et al.
D941,980 S * 1/2022 Zhang D23/364
D943,073 S * 2/2022 Huang D23/356
D946,729 S * 3/2022 Lu D23/356
D947,343 S * 3/2022 Xia D23/364
D948,009 S * 4/2022 Barlettano D23/378
D948,010 S * 4/2022 Xu D23/356

* cited by examiner

Primary Examiner — David G Muller

(74) *Attorney, Agent, or Firm* — Rumit Ranjit Kanakia

(57) **CLAIM**

I claim the ornamental design for a humidifier, as shown and described.

DESCRIPTION

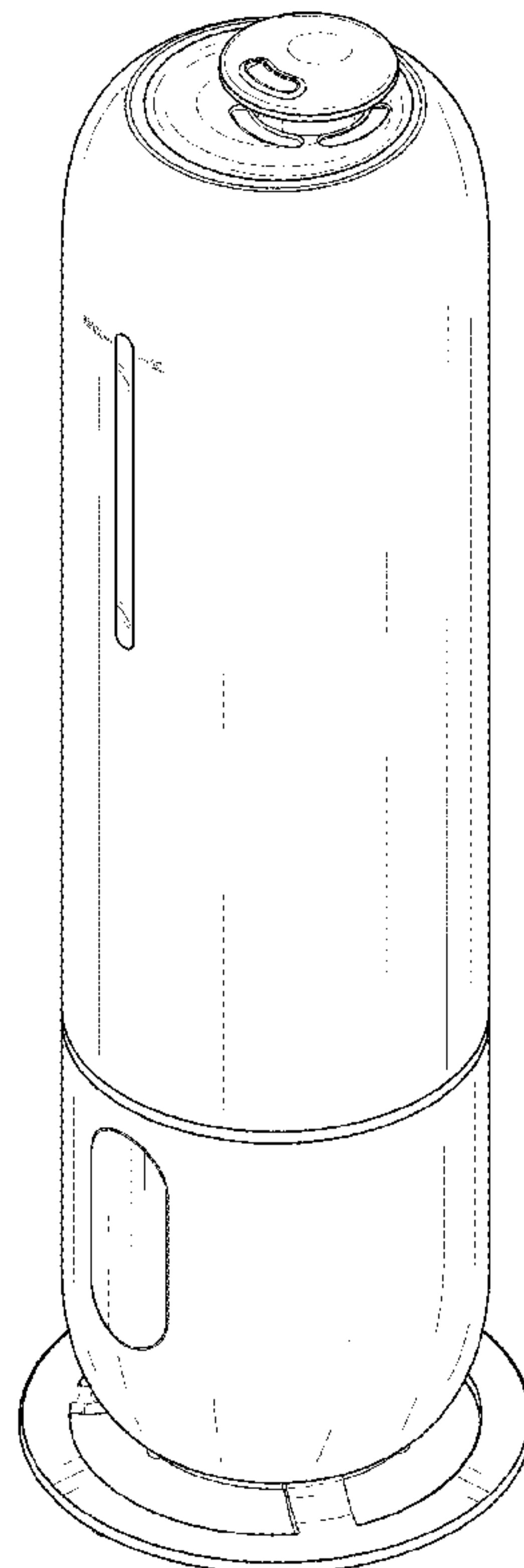
FIG. 1 is a Perspective view of a humidifier showing my new design;
FIG. 2 is a Front view thereof;
FIG. 3 is a Back view thereof;
FIG. 4 is a Right-side view thereof;
FIG. 5 is a Left-side view thereof;
FIG. 6 is a Top view thereof; and,
FIG. 7 is a Bottom view thereof.
The broken lines in the drawings depict portions of the humidifier that form no part of the claimed design.

(56) **References Cited**

U.S. PATENT DOCUMENTS

D479,316 S * 9/2003 Kleiman D23/366
D586,899 S * 2/2009 Searle D23/364
D807,998 S 1/2018 Kim et al.
D826,388 S 8/2018 Yeung
D828,527 S 9/2018 Xu
D854,670 S * 7/2019 Fang D23/352
D854,671 S * 7/2019 Fang D23/352
D864,367 S 10/2019 Chen et al.
D865,144 S * 10/2019 Yoo D23/333

1 Claim, 6 Drawing Sheets



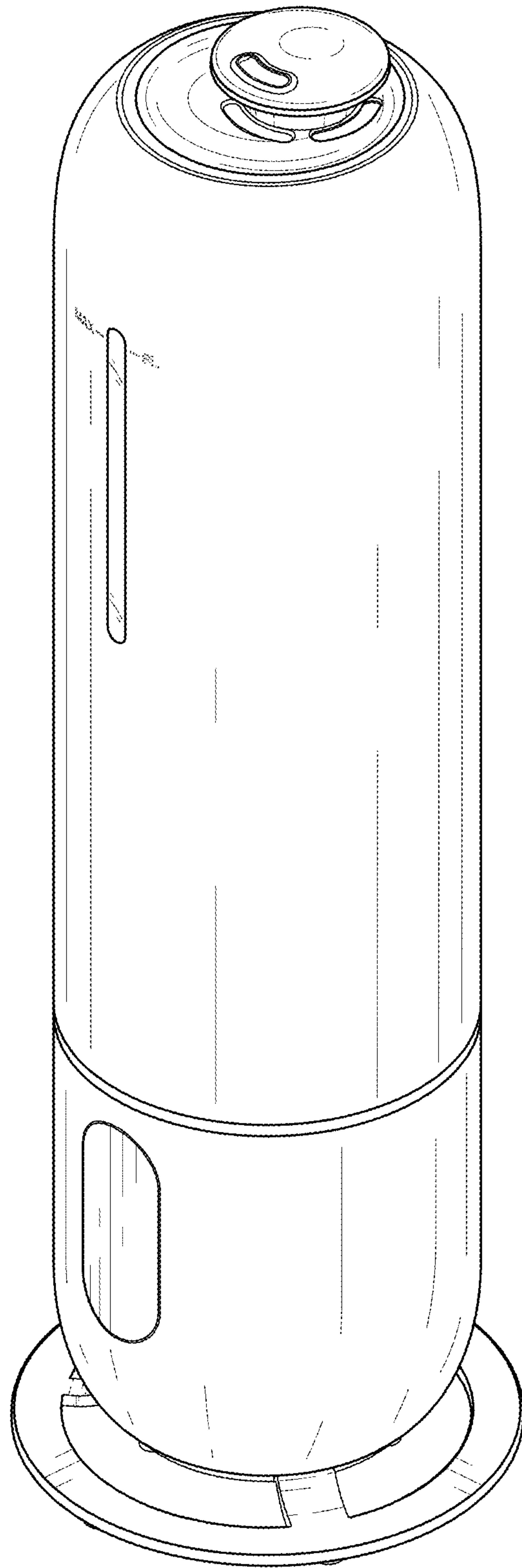


FIG. 1

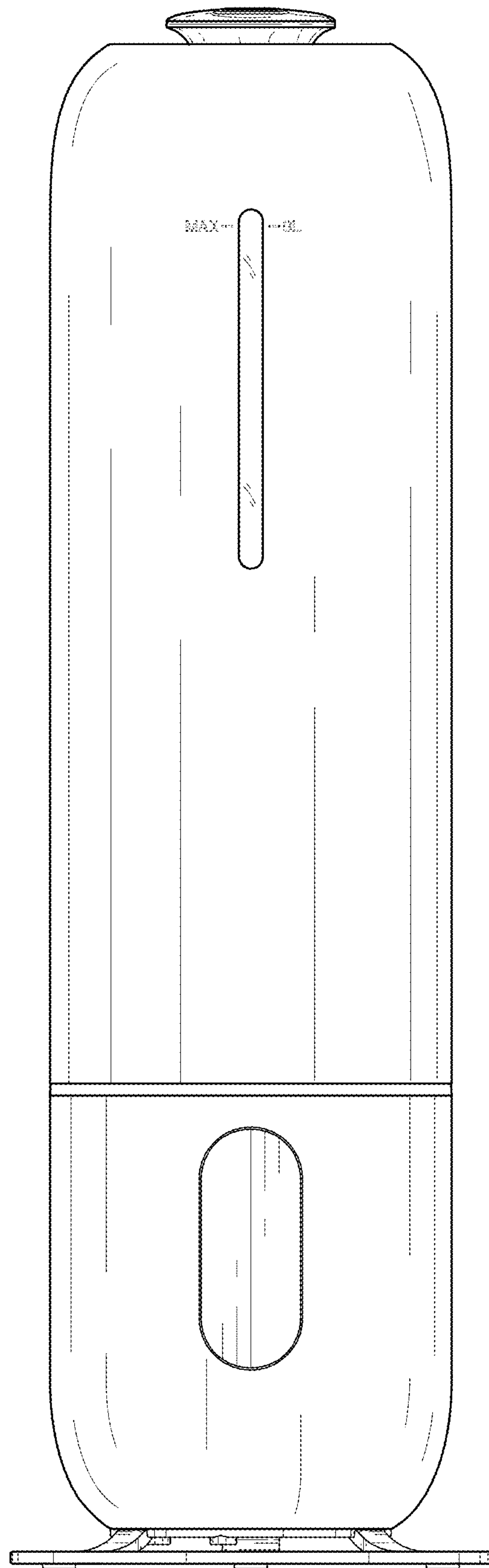


FIG. 2

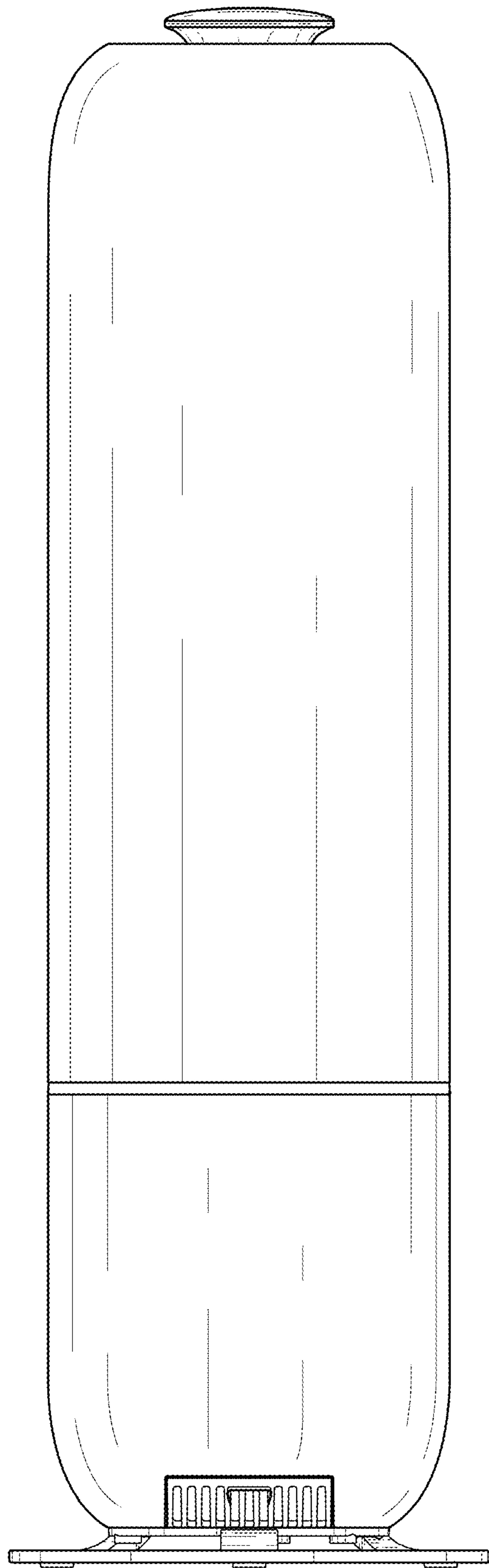


FIG. 3

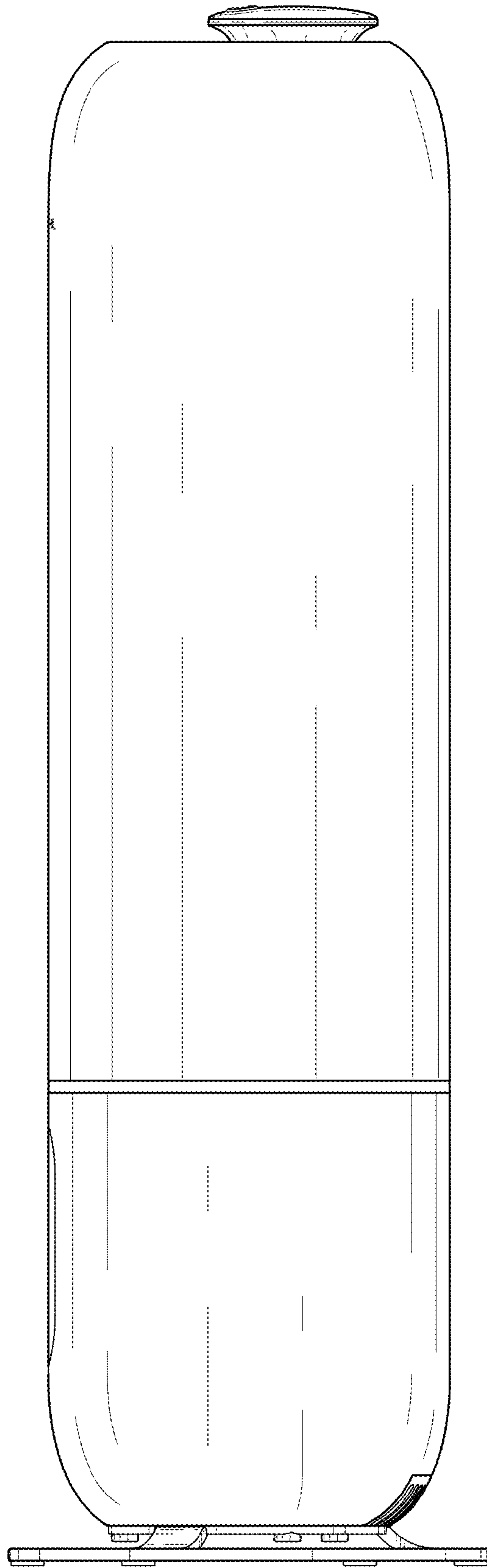


FIG. 4

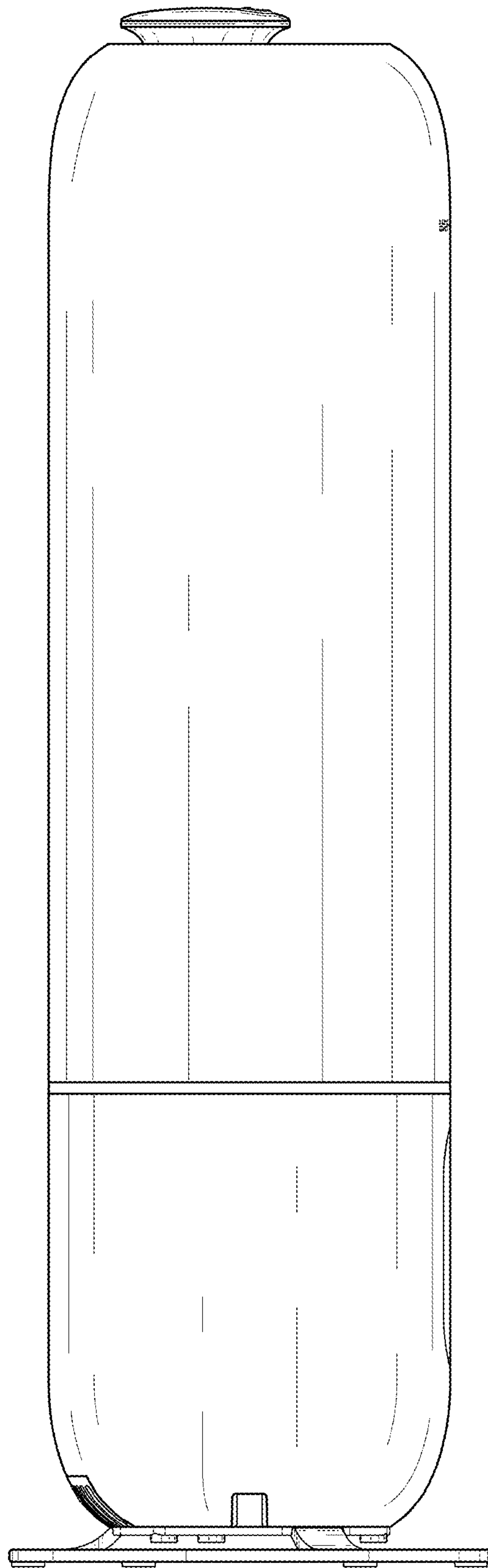


FIG. 5

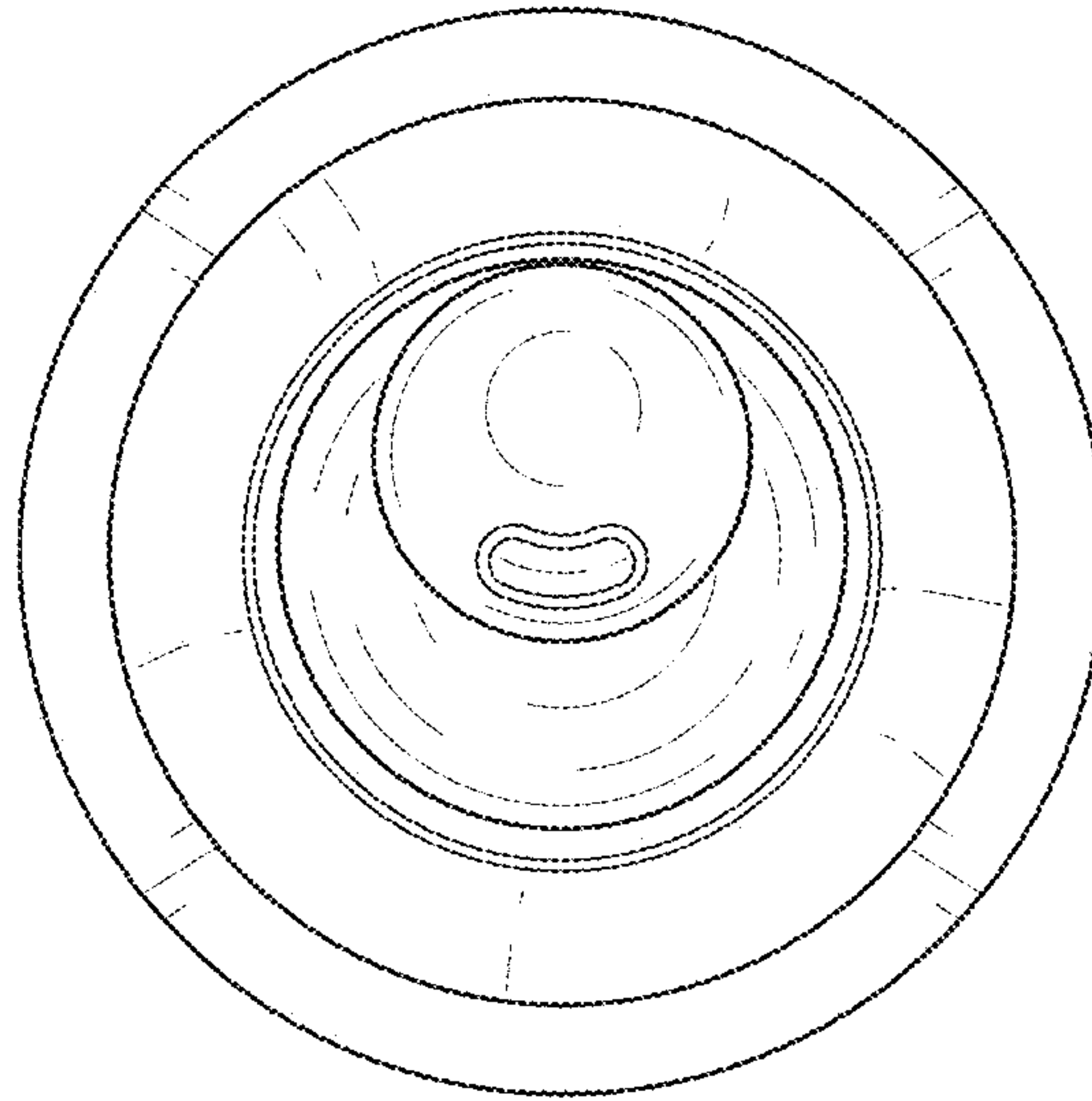


FIG. 6

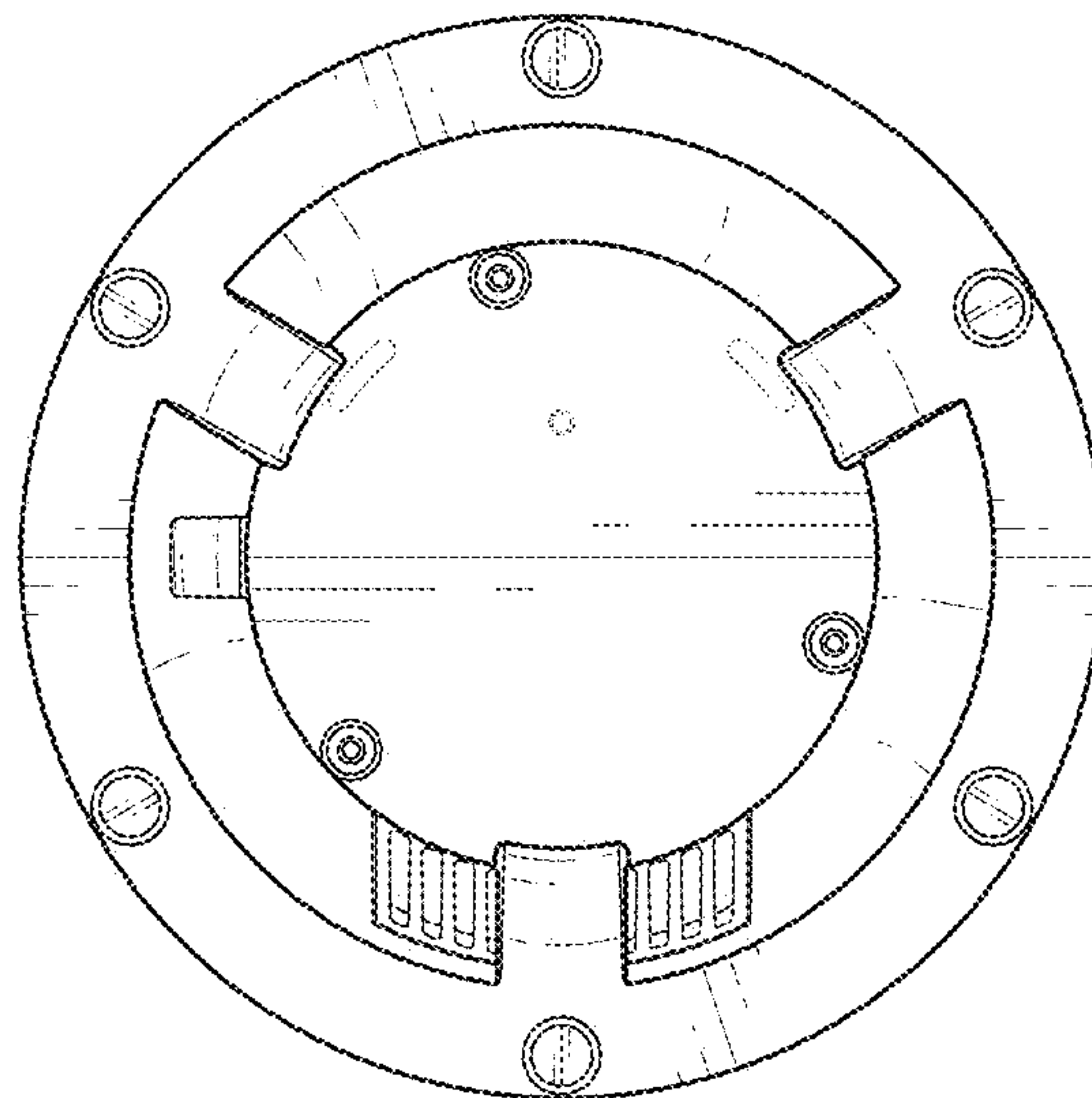


FIG. 7