

US00D963818S

(12) **United States Design Patent** (10) **Patent No.:** **US D963,818 S**  
**Workman et al.** (45) **Date of Patent:** **\*\* \*Sep. 13, 2022**

(54) **FIRE PIT**  
(71) Applicant: **Barebones Systems, LLC**, Salt Lake City, UT (US)  
(72) Inventors: **Robert Emmett Workman**, Morgan, UT (US); **David Jared Burton**, Payson, UT (US)

3,309,982 A \* 3/1967 Surks ..... A47J 37/04 99/420  
3,814,076 A \* 6/1974 Zankowsky ..... A47J 37/0704 126/25 A  
D242,593 S \* 12/1976 Sterkel ..... D7/332  
D247,661 S \* 4/1978 Willard ..... D7/336  
5,159,917 A \* 11/1992 Archer ..... A47J 37/0763 126/25 R

(Continued)

(73) Assignee: **BAREBONES SYSTEMS, LLC**, Salt Lake City, UT (US)

**FOREIGN PATENT DOCUMENTS**

(\*) Notice: This patent is subject to a terminal disclaimer.

CN 306200995 \* 12/2020  
EM 001038046-0001 \* 11/2008

(Continued)

(\*\*) Term: **15 Years**

**OTHER PUBLICATIONS**

(21) Appl. No.: **29/737,810**

BareBones [online] URL: <https://barebonesliving.com/collections/fire-pits-grills/products/cowboy-fire-pit-grill-30> (site visited: Dec. 15, 2021) (Year: 2020).\*

(22) Filed: **Jun. 11, 2020**

(51) **LOC (13) Cl.** ..... **23-03**

(Continued)

(52) **U.S. Cl.**  
USPC ..... **D23/335**; D7/332

(58) **Field of Classification Search**  
USPC ..... D23/314, 332, 335, 339, 348, 338; D7/323, 332, 334, 339, 343, 345, 347, D7/362, 363, 387, 402, 403, 405, 408, D7/409; D8/315  
CPC ..... A47J 2202/00; A47J 27/00; A47J 36/00; A47J 36/26; A47J 37/00; A47J 37/04; A47J 37/0623; A47J 37/0647; A47J 37/07; A47J 37/0704; F24B 1/00; F24B 3/00; F24C 1/00; F24C 15/36; F24C 3/002

*Primary Examiner* — Jae Liang  
*Assistant Examiner* — Tia Ruth-Renee Polidori  
(74) *Attorney, Agent, or Firm* — Morriss O’Bryant  
Compagni Cannon, PLLC

See application file for complete search history.

(57) **CLAIM**

The ornamental design for a fire pit, as shown and described.

(56) **References Cited**

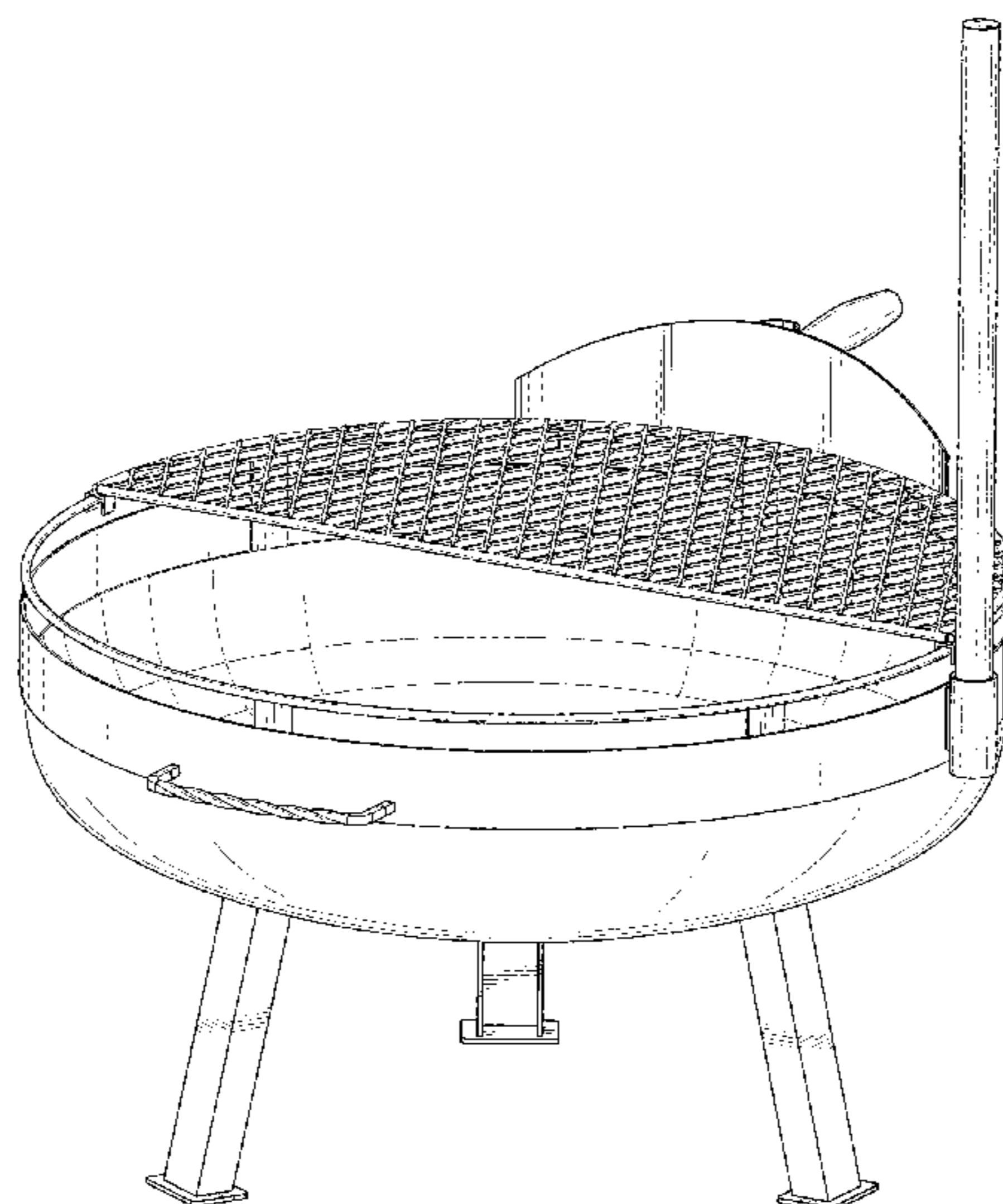
**U.S. PATENT DOCUMENTS**

D31,043 S \* 6/1899 Smith ..... D7/409  
2,573,988 A \* 11/1951 Saltzberg ..... A47J 37/0731 99/340  
D202,958 S \* 11/1965 Cohen ..... D7/338

**DESCRIPTION**

FIG. 1 is top perspective view of our new design for a fire pit;  
FIG. 2 is a bottom perspective view thereof;  
FIG. 3 is a left side elevation view thereof;  
FIG. 4 is a right side elevation thereof;  
FIG. 5 is a front side elevation view thereof;  
FIG. 6 is a back side elevation view thereof;  
FIG. 7 is a top plan view thereof; and,  
FIG. 8 is a bottom plan view thereof.

**1 Claim, 8 Drawing Sheets**



(56)

References Cited

U.S. PATENT DOCUMENTS

D342,184 S \* 12/1993 Sanchez ..... D7/335  
 D391,118 S \* 2/1998 Jørgensen ..... D7/584  
 D395,785 S \* 7/1998 Lin ..... D7/332  
 D457,229 S \* 5/2002 Chen ..... D23/343  
 D481,256 S \* 10/2003 Bossler ..... D7/337  
 D483,230 S \* 12/2003 Mountain ..... D7/586  
 D498,639 S \* 11/2004 Brasslet ..... D7/360  
 D509,106 S \* 9/2005 de Groote ..... D7/587  
 D547,592 S \* 7/2007 Chiang ..... D7/332  
 D575,992 S \* 9/2008 LeGreve ..... D7/586  
 D579,261 S \* 10/2008 Chiang ..... D7/332  
 D630,897 S \* 1/2011 Jarvis ..... D7/407  
 D650,227 S \* 12/2011 Walker ..... D7/409  
 D678,712 S \* 3/2013 Mehler ..... D7/359  
 D734,094 S \* 7/2015 Vogds ..... D7/409  
 D734,975 S \* 7/2015 Troyer, Jr. .... D7/332  
 D756,158 S \* 5/2016 Krawiec ..... D7/332  
 9,339,145 B1 \* 5/2016 Owczarzak ..... A47J 37/0682  
 D801,495 S \* 10/2017 Home, III ..... D23/336  
 D816,994 S \* 5/2018 Fischer ..... D3/294  
 D822,436 S \* 7/2018 Wereszynski ..... D7/409  
 10,130,212 B2 \* 11/2018 Lopez ..... A47J 37/0704  
 D842,649 S \* 3/2019 Mishan ..... D7/409  
 D843,161 S \* 3/2019 Workman ..... D7/360  
 D845,455 S \* 4/2019 Horsfield ..... D23/332  
 D858,193 S \* 9/2019 Romzek ..... D7/409  
 D860,727 S \* 9/2019 Eom ..... D7/409  
 D862,967 S \* 10/2019 Workman ..... D7/332  
 D862,988 S \* 10/2019 Wiggins ..... D7/587  
 D863,885 S \* 10/2019 Woller ..... D7/409

D876,875 S \* 3/2020 Wang ..... D7/359  
 D878,860 S \* 3/2020 Halasinski ..... D7/409  
 D889,901 S \* 7/2020 Cheng ..... D7/354  
 D891,179 S \* 7/2020 Parrish ..... D7/409  
 D904,115 S \* 12/2020 Hunsaker ..... D7/409  
 D914,431 S \* 3/2021 Ma ..... D7/334  
 D914,433 S \* 3/2021 Chung ..... D7/337  
 D924,618 S \* 7/2021 Barberi ..... D7/360  
 D927,257 S \* 8/2021 Miller ..... D7/587  
 D930,352 S \* 9/2021 Jiang ..... D3/203.1  
 2015/0068512 A1 \* 3/2015 Mehler ..... A47J 37/067  
 126/25 R  
 2015/0075514 A1 \* 3/2015 Kuenzinger ..... A47J 37/0763  
 126/25 A  
 2017/0150847 A1 \* 6/2017 Feng ..... A47J 37/0763  
 2019/0082886 A1 \* 3/2019 Yan ..... F24B 1/022  
 2019/0099041 A1 \* 4/2019 Figueroa ..... A47J 37/0763  
 2020/0260911 A1 \* 8/2020 Brennan ..... A47J 36/16

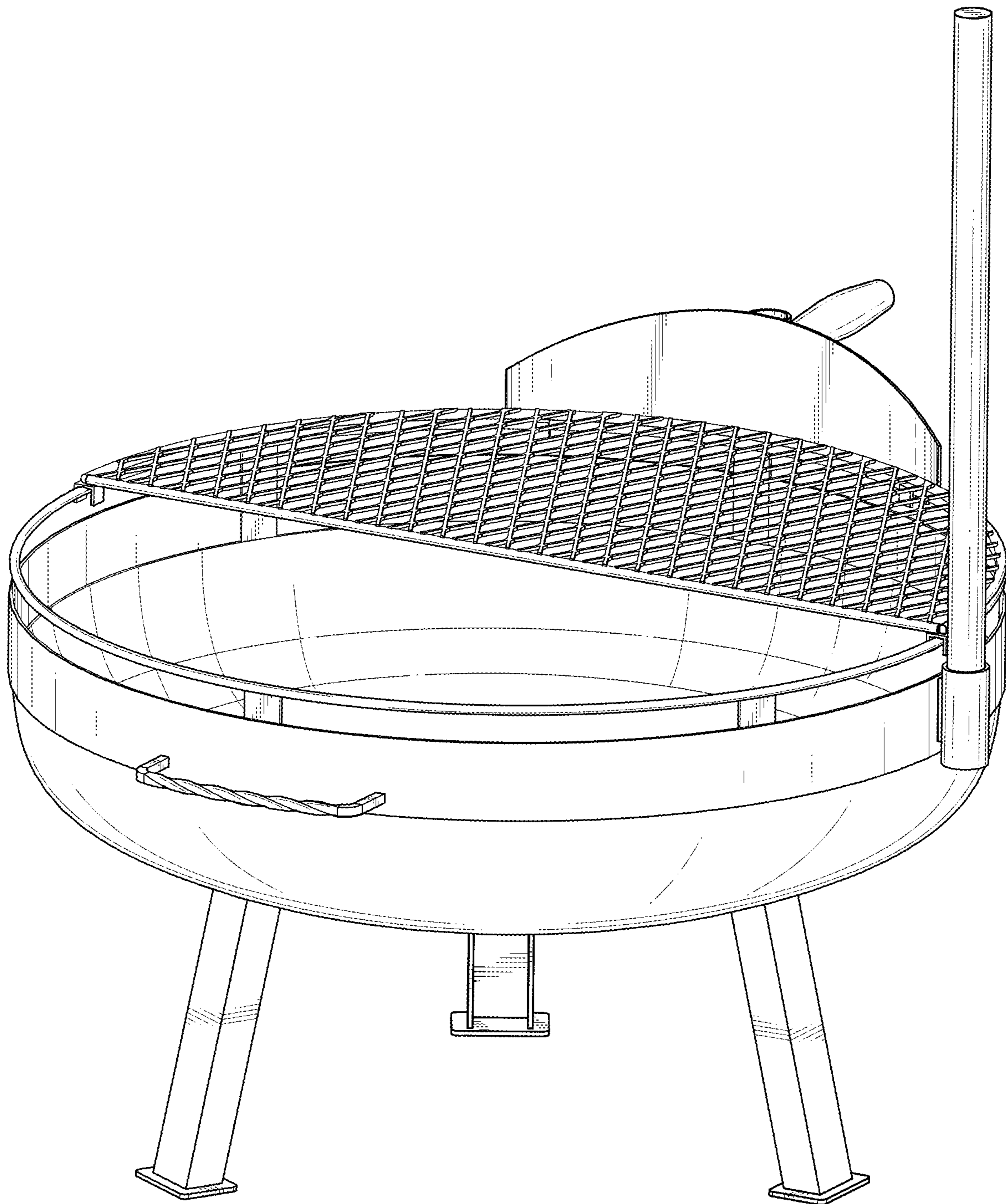
FOREIGN PATENT DOCUMENTS

EM 008360689-0001 \* 1/2021  
 FR 963874-001 \* 11/1996

OTHER PUBLICATIONS

BareBones-23 [online] URL: <https://barebonesliving.com/collections/fire-pits-grills/products/cowboy-fire-pit-grill-23> (site visited: Dec. 15, 2021) (Year: 2020).\*  
 Cacomoca [online] URL: <https://www.youtube.com/watch?v=yvp03C-ittM> (site visited: Dec. 15, 2021) (Year: 2021).\*

\* cited by examiner



**FIG. 1**

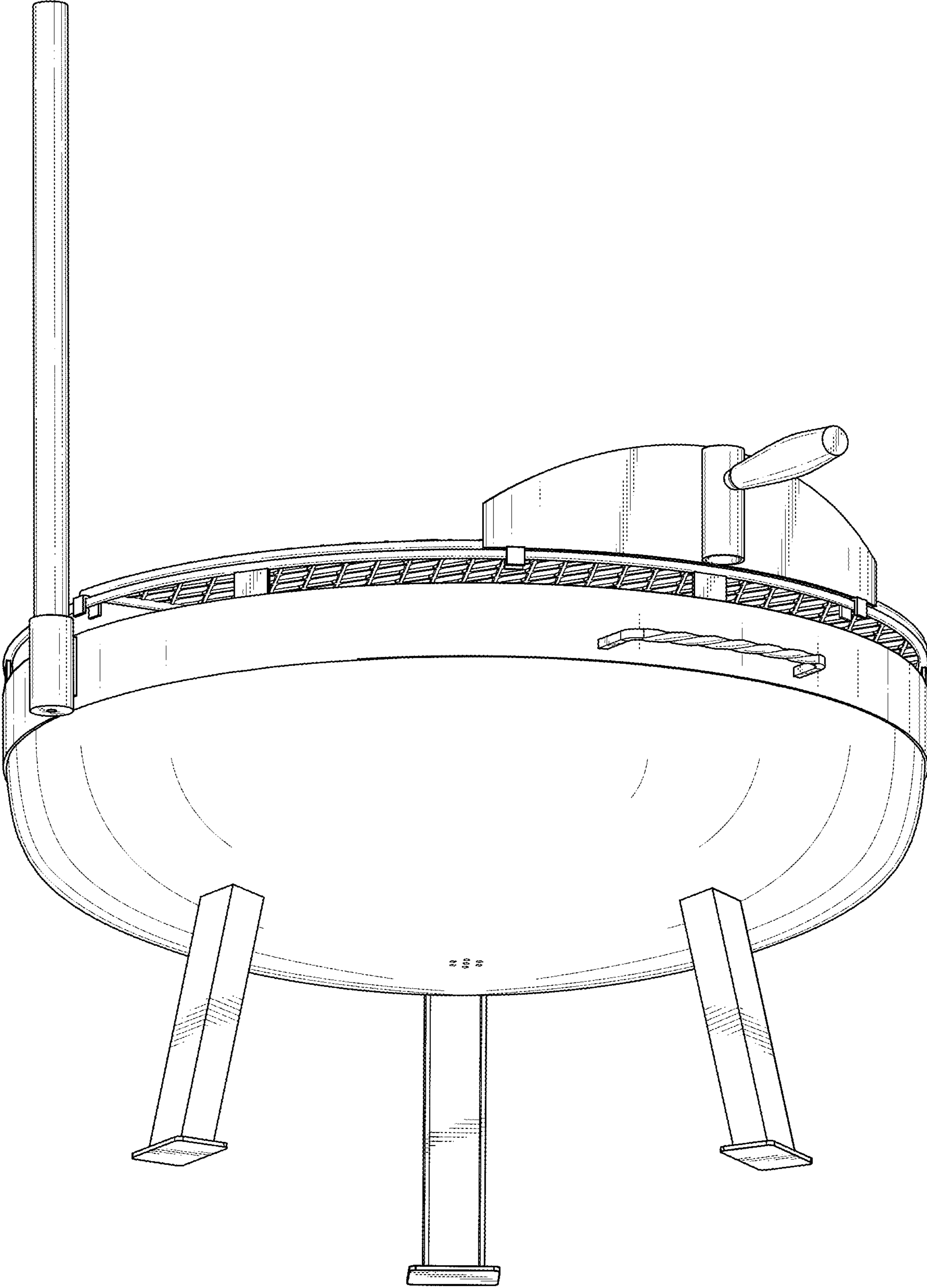
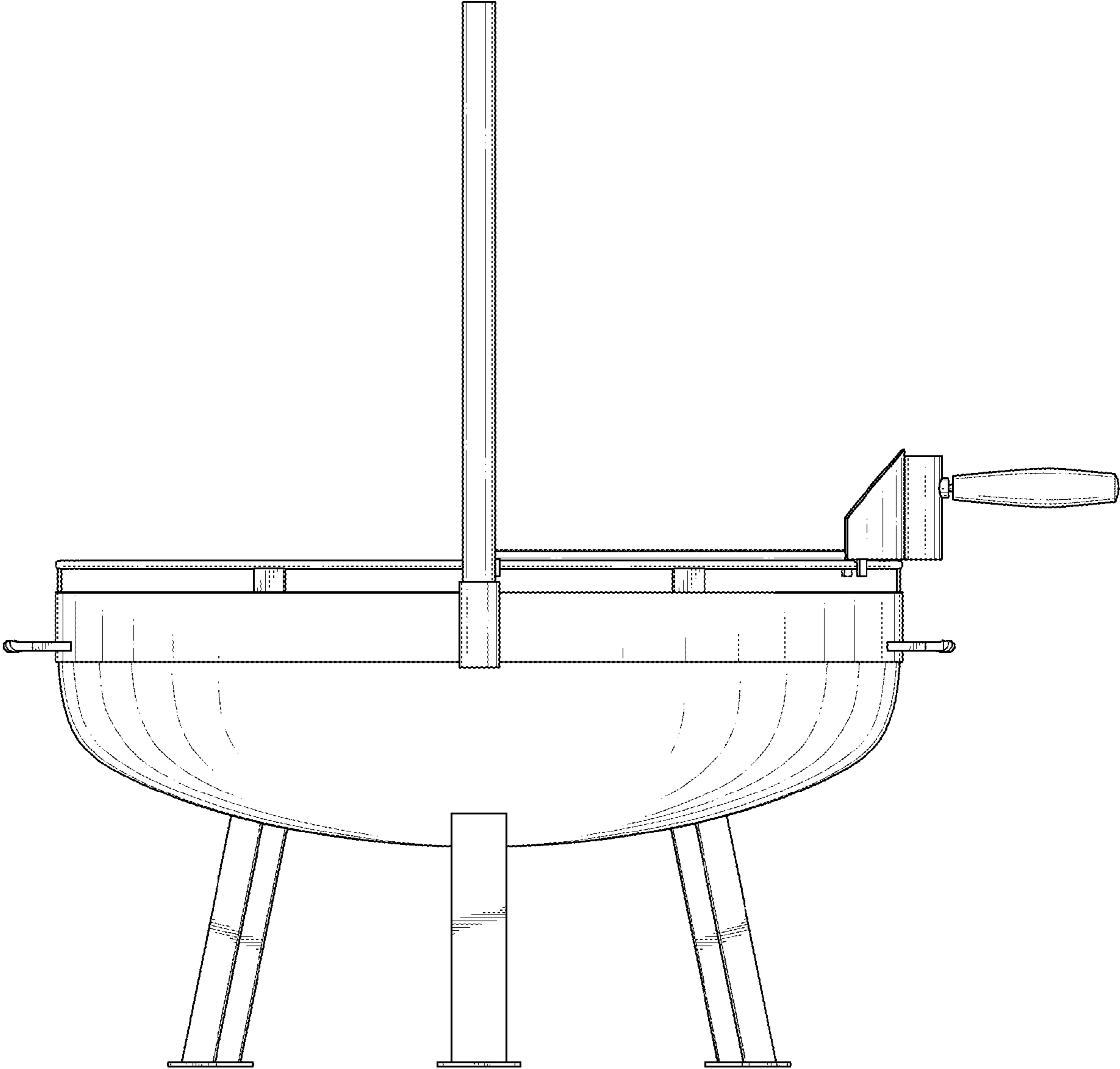
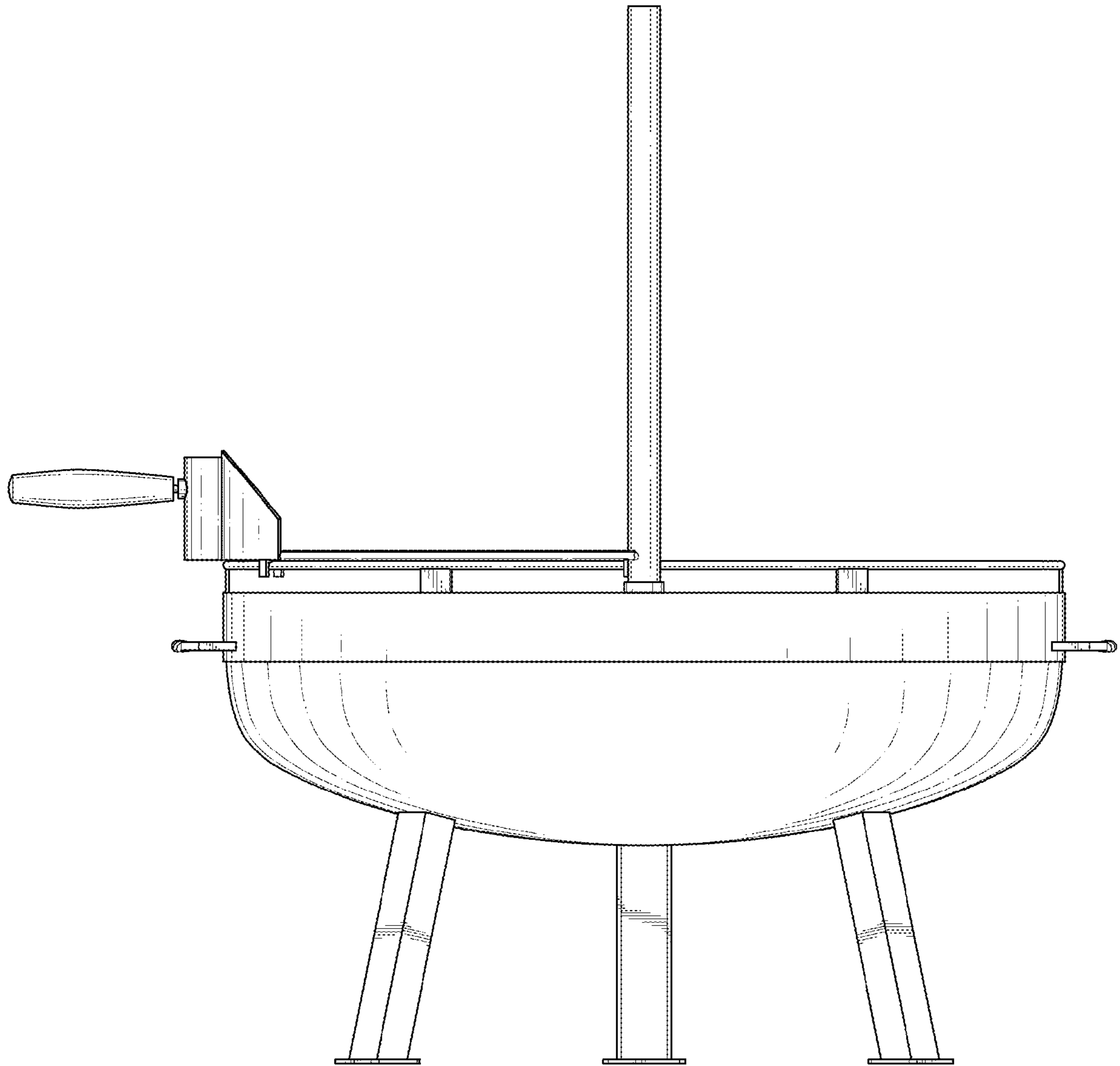


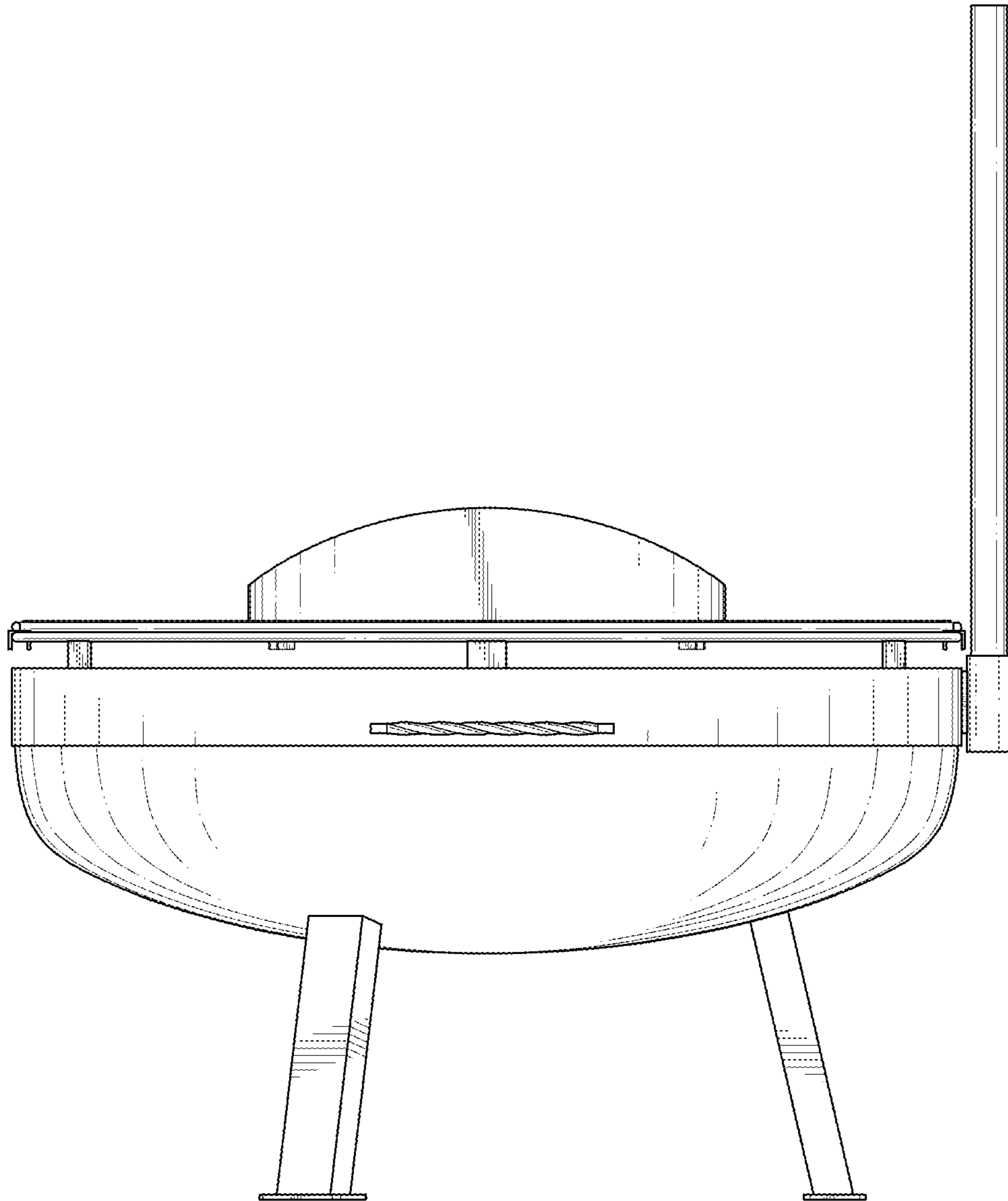
FIG. 2



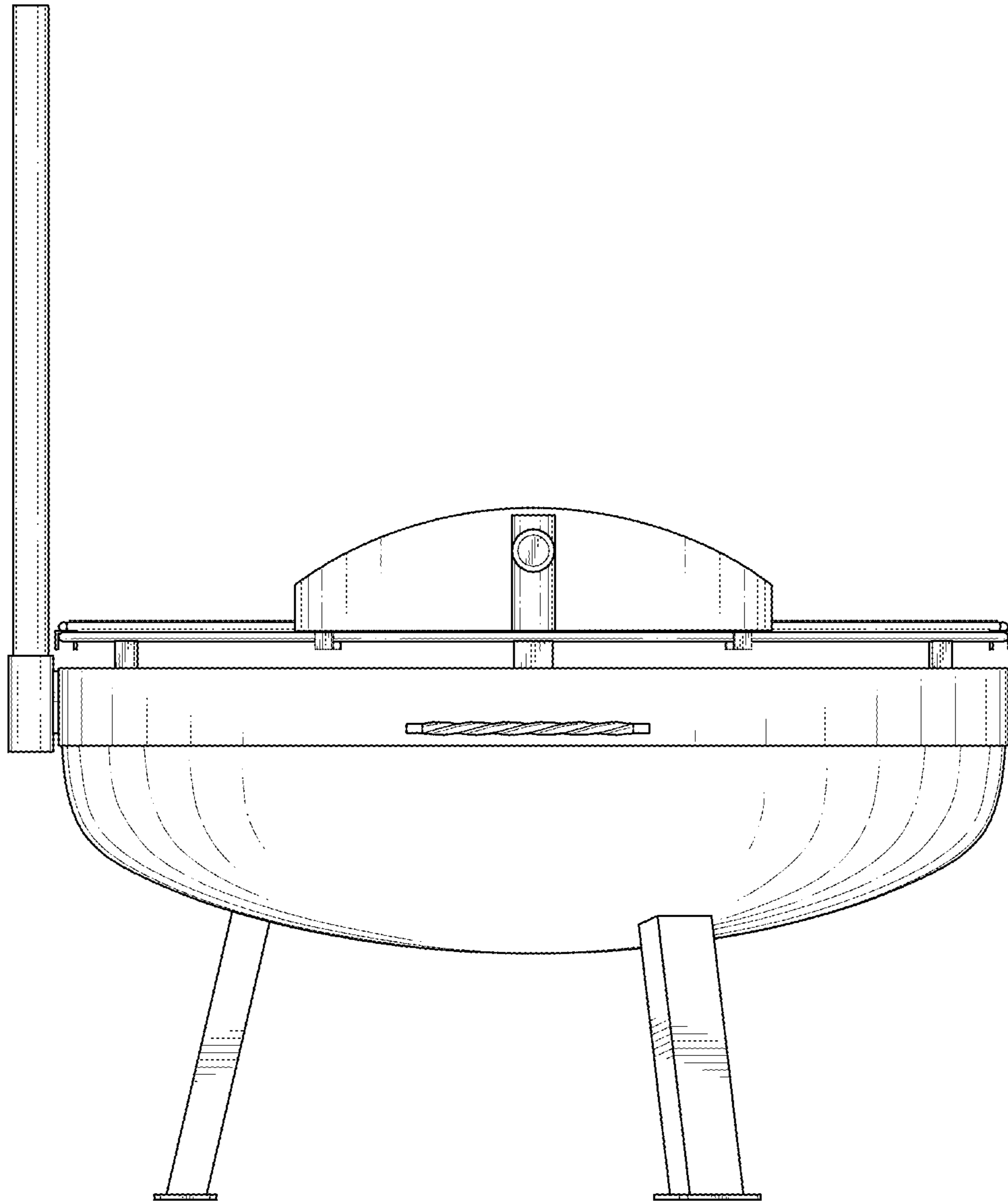
**FIG. 3**



**FIG. 4**

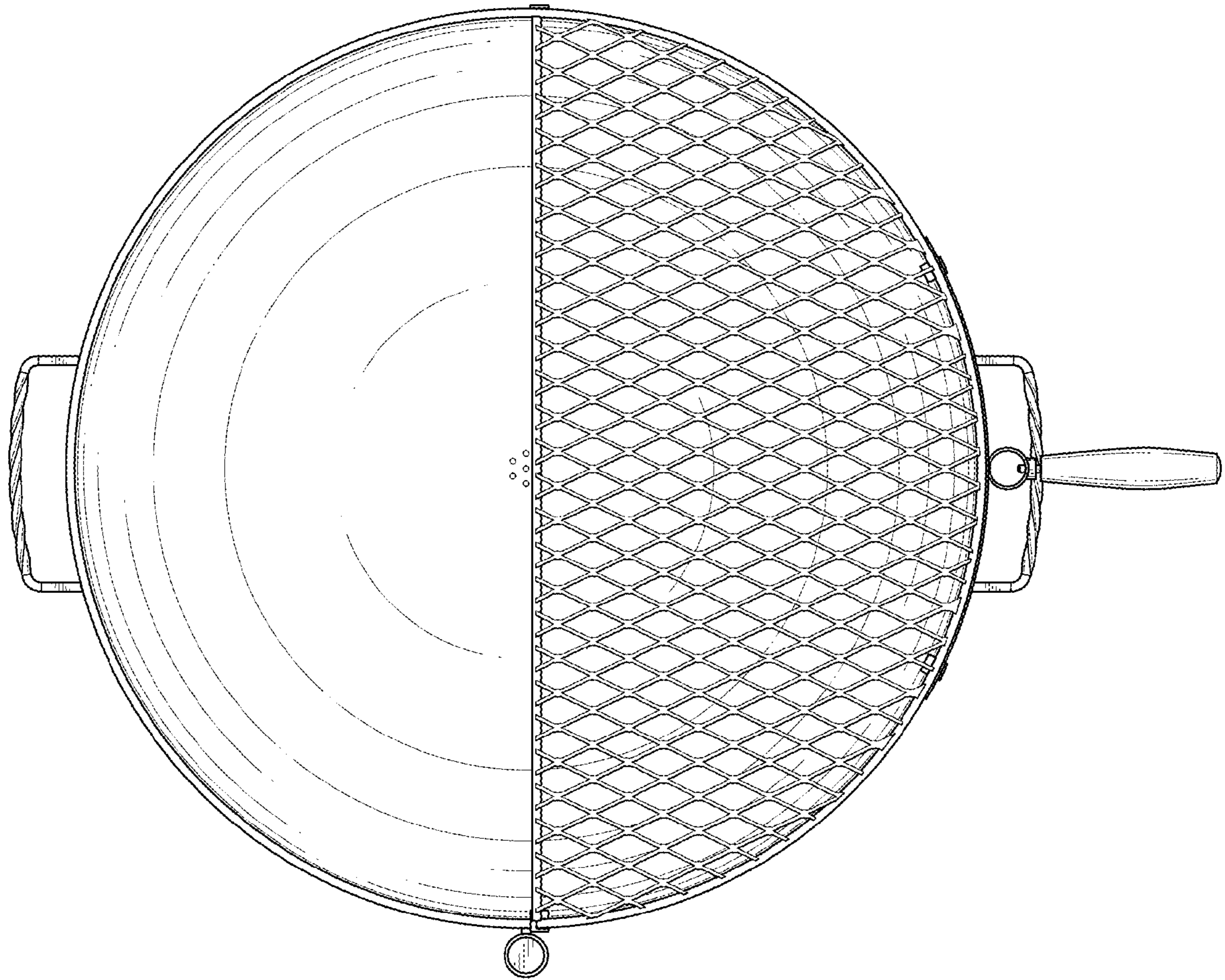


**FIG. 5**

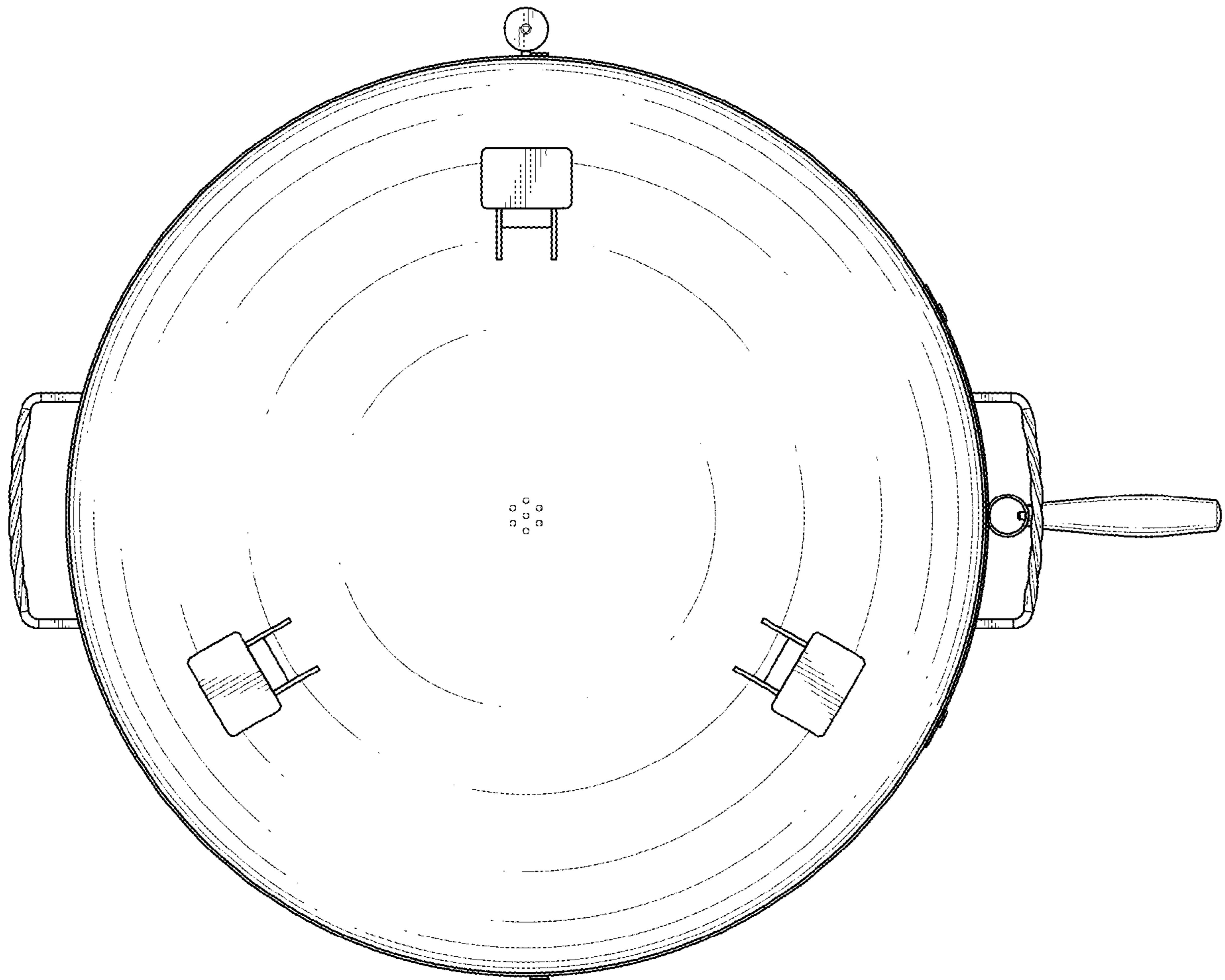


**FIG. 6**





**FIG. 7**



**FIG. 8**