

US00D963817S

(12) **United States Design Patent**
Goodman

(10) **Patent No.:** **US D963,817 S**
(45) **Date of Patent:** **** Sep. 13, 2022**

(54) **PORTABLE HEATER**

3,127,924 A 4/1964 Downs
3,916,870 A 11/1975 Beavers
4,002,157 A 1/1977 Toesca
D256,273 S * 8/1980 Townsend D23/336
(Continued)

(71) Applicant: **MILWAUKEE ELECTRIC TOOL CORPORATION**, Brookfield, WI (US)

(72) Inventor: **Alexander J. Goodman**, Milwaukee, WI (US)

FOREIGN PATENT DOCUMENTS

(73) Assignee: **MILWAUKEE ELECTRIC TOOL CORPORATION**, Brookfield, WI (US)

CN 105972819 B 3/2019
DE 4126745 A1 2/1992
(Continued)

(**) Term: **15 Years**

OTHER PUBLICATIONS

(21) Appl. No.: **29/761,990**

International Search Report and Written Opinion for Application No. PCT/US2021/057671 dated Feb. 23, 2022 (11 pages).

(22) Filed: **Dec. 14, 2020**

(51) **LOC (13) Cl.** **23-03**

Primary Examiner — Ania Aman

(52) **U.S. Cl.**
USPC **D23/332**

(74) *Attorney, Agent, or Firm* — Michael Best & Friedrich LLP

(58) **Field of Classification Search**
USPC D23/314, 330, 332, 334, 335, 336, 337, D23/338, 339, 340, 341, 355, 356, 364, D23/370, 381, 382, 317

(57) **CLAIM**

CPC F24H 3/002; F24H 9/2071; F24H 2250/00; F24H 9/0052; F24H 9/0057; F24H 9/02; F24H 9/1863; F24H 9/1854; F24H 9/1872; F24H 3/0411; F24H 3/0417
See application file for complete search history.

I claim the ornamental design for a portable heater, as shown and described.

DESCRIPTION

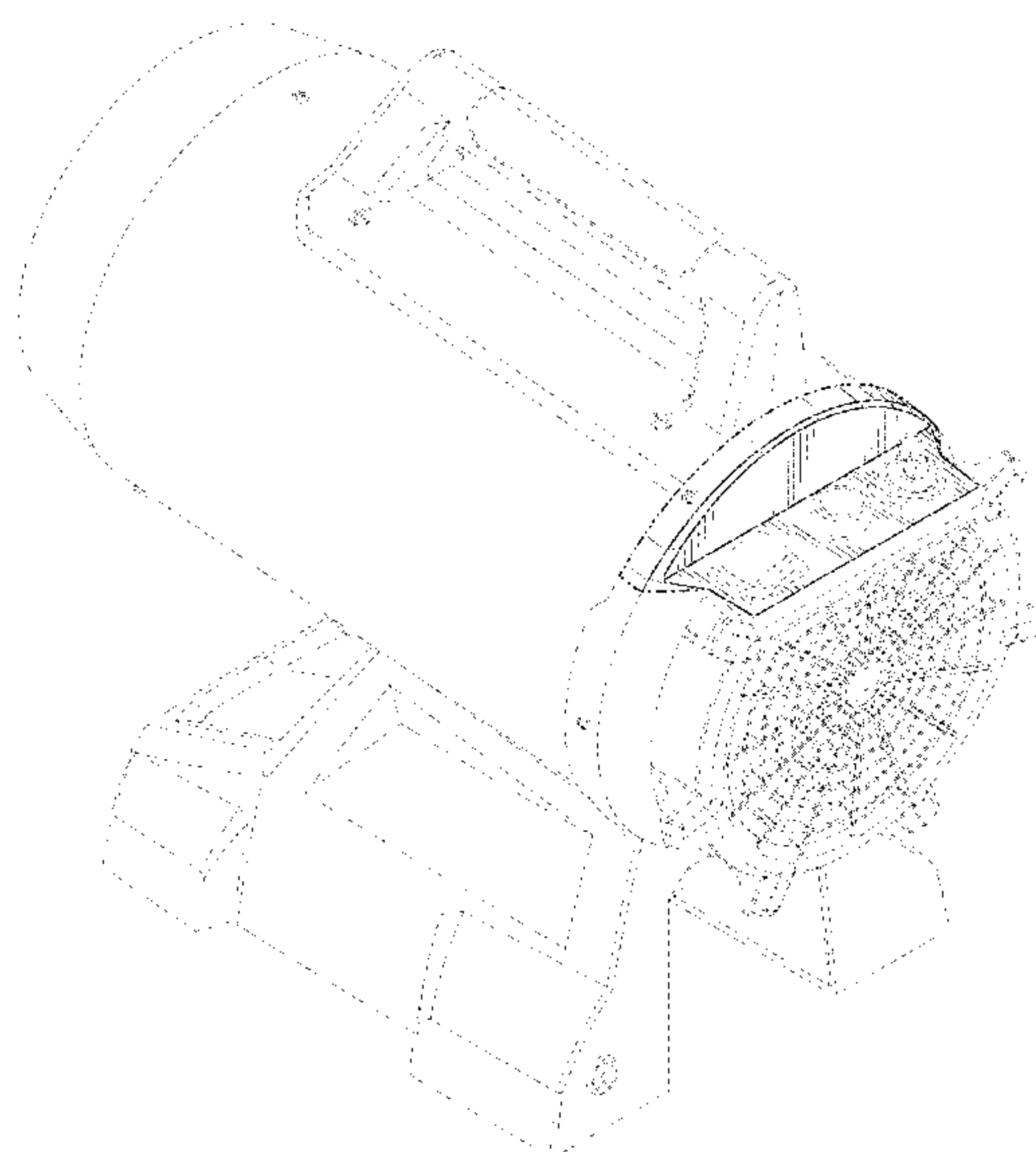
(56) **References Cited**

U.S. PATENT DOCUMENTS

1,958,331 A 5/1934 Bell
2,268,778 A 1/1942 Schueder et al.
2,284,138 A 5/1942 Evans et al.
2,362,258 A 11/1944 Findley
2,363,168 A 11/1944 Findley
2,515,525 A 7/1950 Modlin
2,619,953 A 12/1952 Cunningham
2,744,516 A 5/1956 Hubbard
2,752,911 A 7/1956 Fisher
2,994,520 A 8/1961 Sherman
3,029,863 A 4/1962 Downs

FIG. 1 is a rear perspective view of a portable heater showing my new design
FIG. 2 is a left-side view of the portable heater of FIG. 1.
FIG. 3 is a right-side view of the portable heater of FIG. 1.
FIG. 4 is a front view of the portable heater of FIG. 1.
FIG. 5 is a rear view of the portable heater of FIG. 1.
FIG. 6 is a top view of the portable heater of FIG. 1; and, FIG. 7 is a bottom view of the portable heater of FIG. 1.
The portions of the portable heater shown in broken lines are included for the purpose of illustrating environment and form no part of the claimed design. The portions of the portable heater shown in broken lines having unequal length segments illustrate the boundary of the claimed design and form no part of the claimed design.

1 Claim, 7 Drawing Sheets



(56)

References Cited

U.S. PATENT DOCUMENTS

4,292,950 A 10/1981 Schossow
 4,313,417 A 2/1982 Briggs et al.
 4,635,382 A 1/1987 Bourdeau
 4,836,444 A 6/1989 Kawamura
 D319,694 S * 9/1991 Wortham D23/336
 5,052,367 A 10/1991 Beavers et al.
 5,121,739 A 6/1992 Barker
 D341,417 S * 11/1993 Wortham D23/332
 D347,683 S * 6/1994 Chiu D23/332
 5,509,604 A 4/1996 Chung
 6,213,761 B1 4/2001 Schmidt
 6,340,298 B1 1/2002 Vandrak et al.
 6,470,876 B1 10/2002 Schmidt et al.
 6,648,635 B2 11/2003 Vandrak et al.
 6,884,065 B2 4/2005 Vandrak et al.
 7,300,278 B2 11/2007 Vandrak et al.
 7,600,998 B1 10/2009 Pitchford et al.
 7,814,764 B1 10/2010 Heater et al.
 7,913,416 B1 3/2011 Scieri
 8,053,709 B2 11/2011 Vandrak et al.
 8,068,724 B2 11/2011 Vandrak et al.
 8,347,875 B2 1/2013 Jamieson
 8,434,469 B2 5/2013 Vandrak
 D686,713 S * 7/2013 Kimpara D23/332
 8,487,221 B2 7/2013 Vandrak et al.
 8,494,350 B2 7/2013 O'Toole et al.
 8,684,276 B2 4/2014 Vandrak
 8,863,736 B2 10/2014 Vandrak
 8,893,706 B2 11/2014 Vandrak et al.
 8,893,707 B2 11/2014 Jamieson
 9,219,213 B2 12/2015 Van Der Sluis et al.
 9,222,682 B2 12/2015 Vandrak
 9,267,704 B1 2/2016 Lee, Jr.
 9,267,708 B2 2/2016 Jamieson
 9,273,872 B1 3/2016 Lee, Jr.
 9,291,363 B1 3/2016 Cassell et al.
 9,435,563 B2 9/2016 Einhorn
 9,447,981 B2 9/2016 Chan

9,599,367 B1 3/2017 Curry
 9,927,144 B2 3/2018 Vandrak et al.
 9,982,913 B2 5/2018 Kang
 9,995,505 B2 6/2018 Giaretta et al.
 10,495,344 B2 12/2019 Vandrak et al.
 D918,359 S * 5/2021 Francis D23/335
 D918,360 S * 5/2021 Francis D23/335
 2008/0302351 A1 12/2008 Hunter et al.
 2009/0253092 A1 10/2009 Creed
 2011/0045417 A1 2/2011 Vandrak
 2011/0303211 A1 12/2011 Gove et al.
 2012/0094244 A1 4/2012 Vandrak
 2012/0145693 A1 6/2012 Deng
 2012/0180784 A1 7/2012 Vandrak
 2012/0240916 A1 9/2012 Jedrzejek
 2013/0008423 A1 1/2013 Noble et al.
 2014/0099592 A1 * 4/2014 Smith, III F24H 3/0488
 432/222
 2016/0146503 A1 * 5/2016 Kang F24H 9/02
 126/114
 2016/0178237 A1 * 6/2016 Giaretta F24H 9/0063
 126/90 R
 2016/0334136 A1 11/2016 Giaretta et al.
 2017/0363326 A1 12/2017 Vandrak et al.
 2017/0363327 A1 12/2017 Vandrak et al.
 2019/0041093 A1 2/2019 Vandrak et al.
 2019/0145663 A1 * 5/2019 Huggins F24H 9/2085
 392/365
 2020/0072500 A1 3/2020 Vandrak et al.
 2021/0071909 A1 * 3/2021 Erisgen F24H 3/0417

FOREIGN PATENT DOCUMENTS

EP 2784409 B1 1/2017
 EP 2863142 B1 4/2019
 KR 1020200119942 A 10/2020
 WO 2009095944 A2 8/2009
 WO 2011130373 A2 10/2011
 WO 2015136341 A1 9/2015
 WO 2019233538 A1 12/2019

* cited by examiner

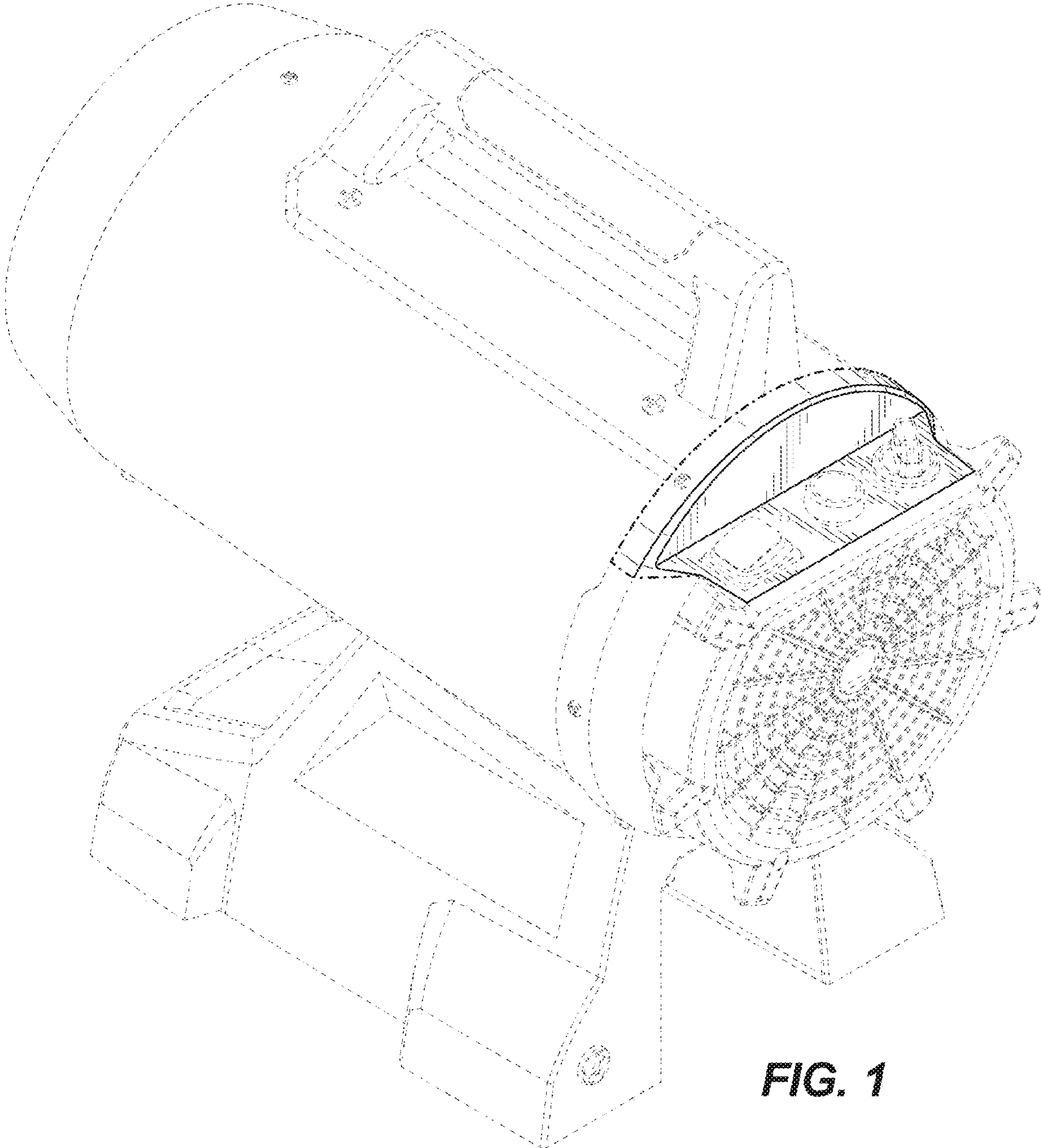


FIG. 1

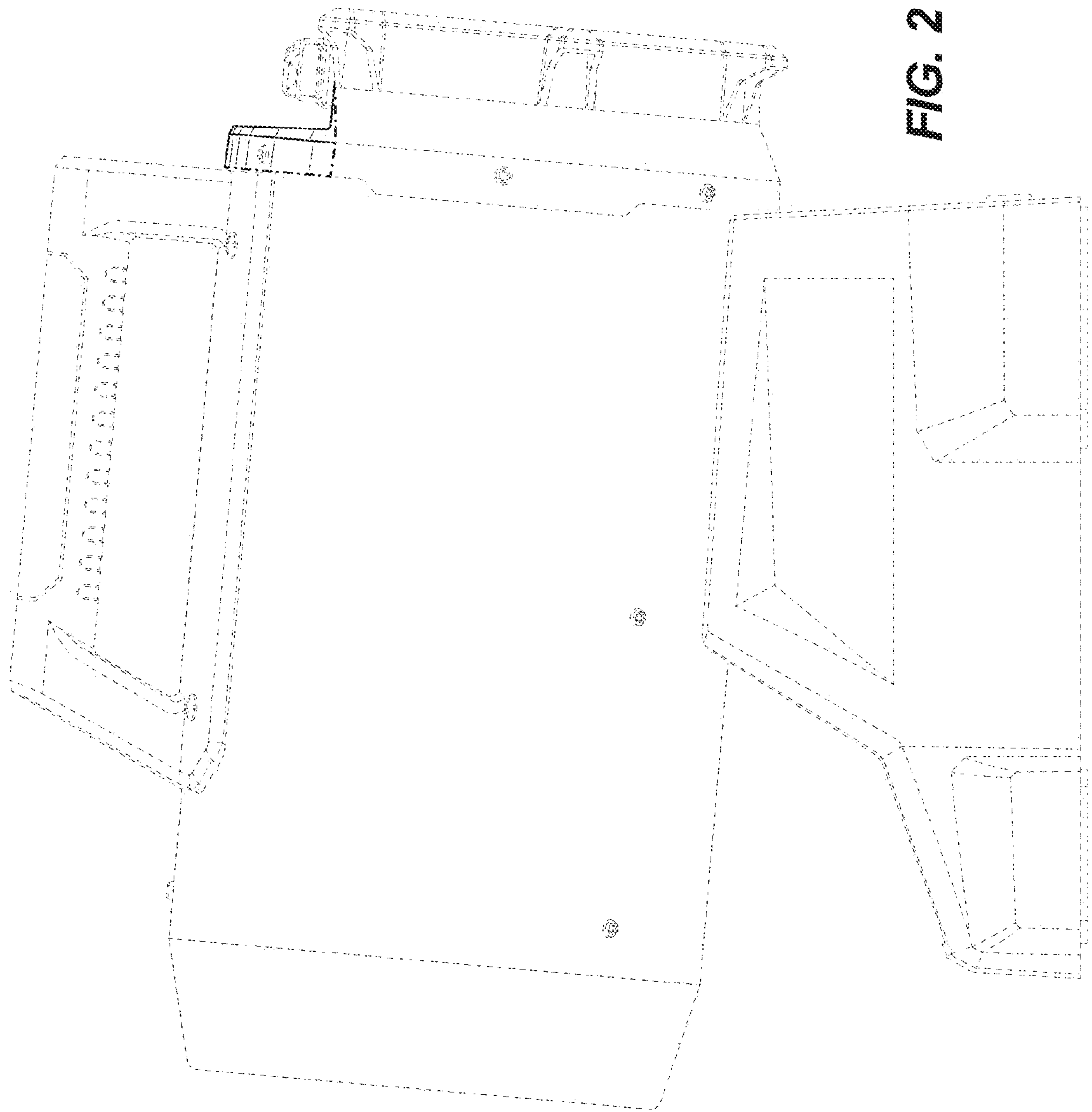


FIG. 2

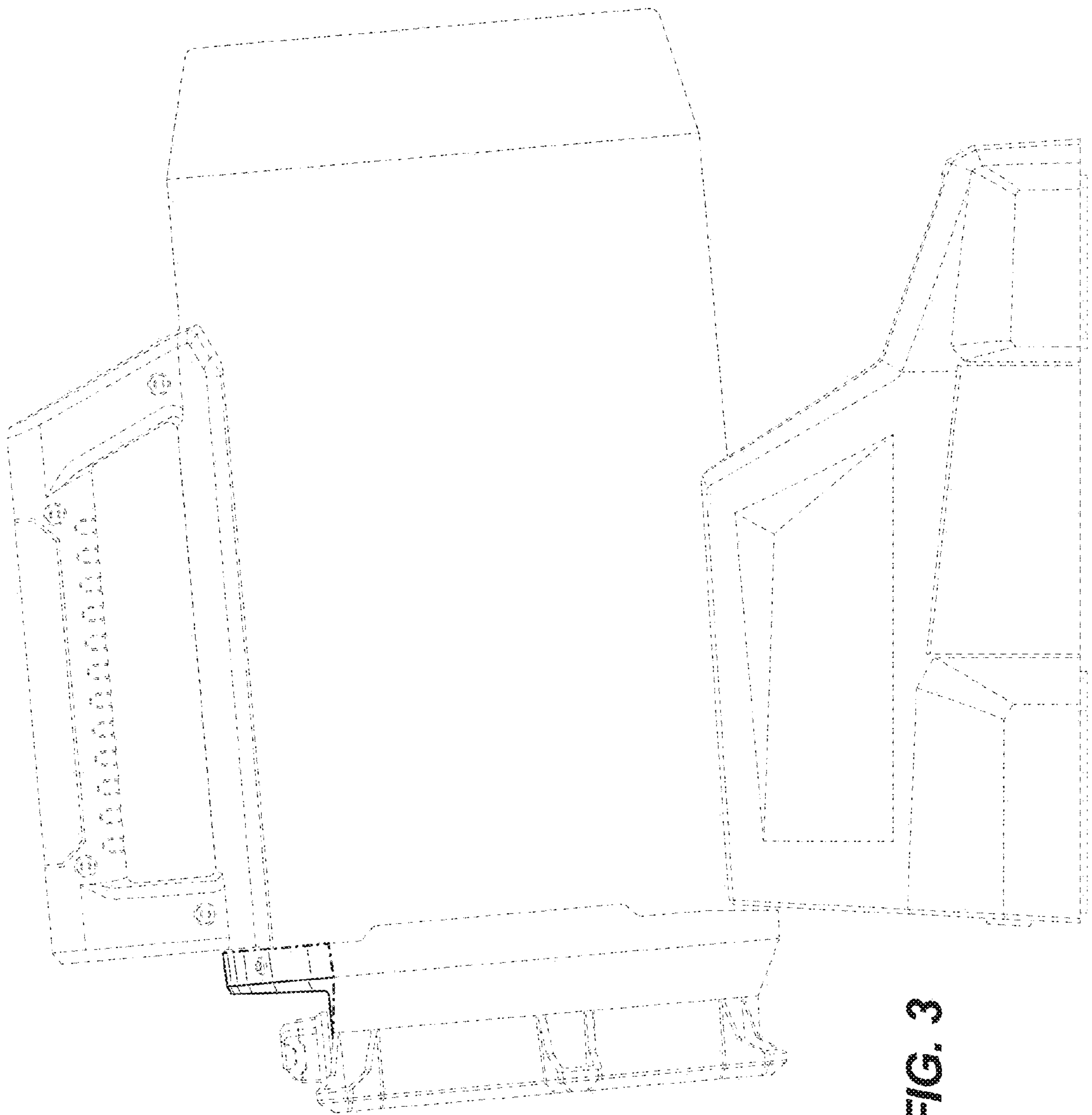


FIG. 3

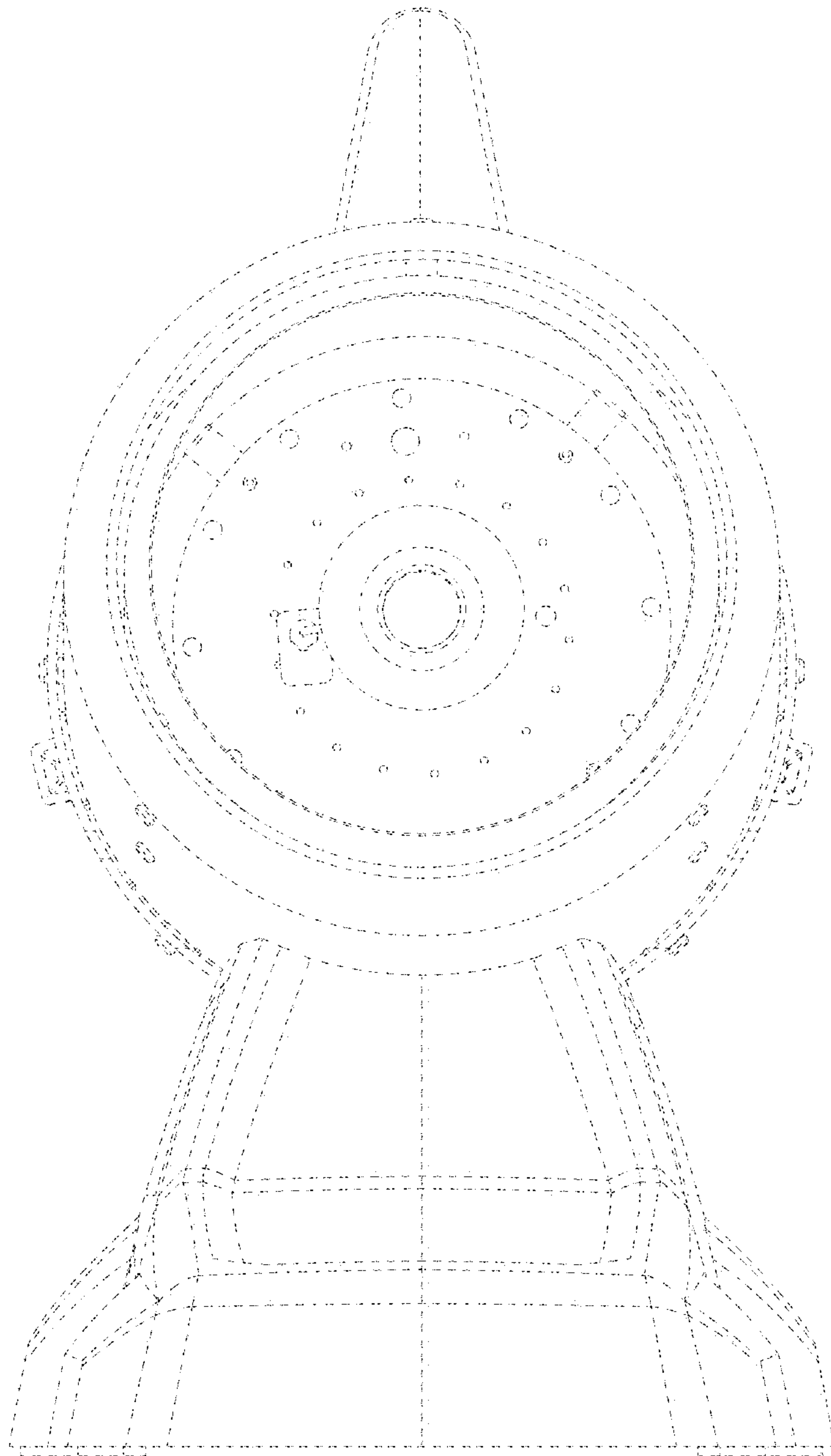


FIG. 4

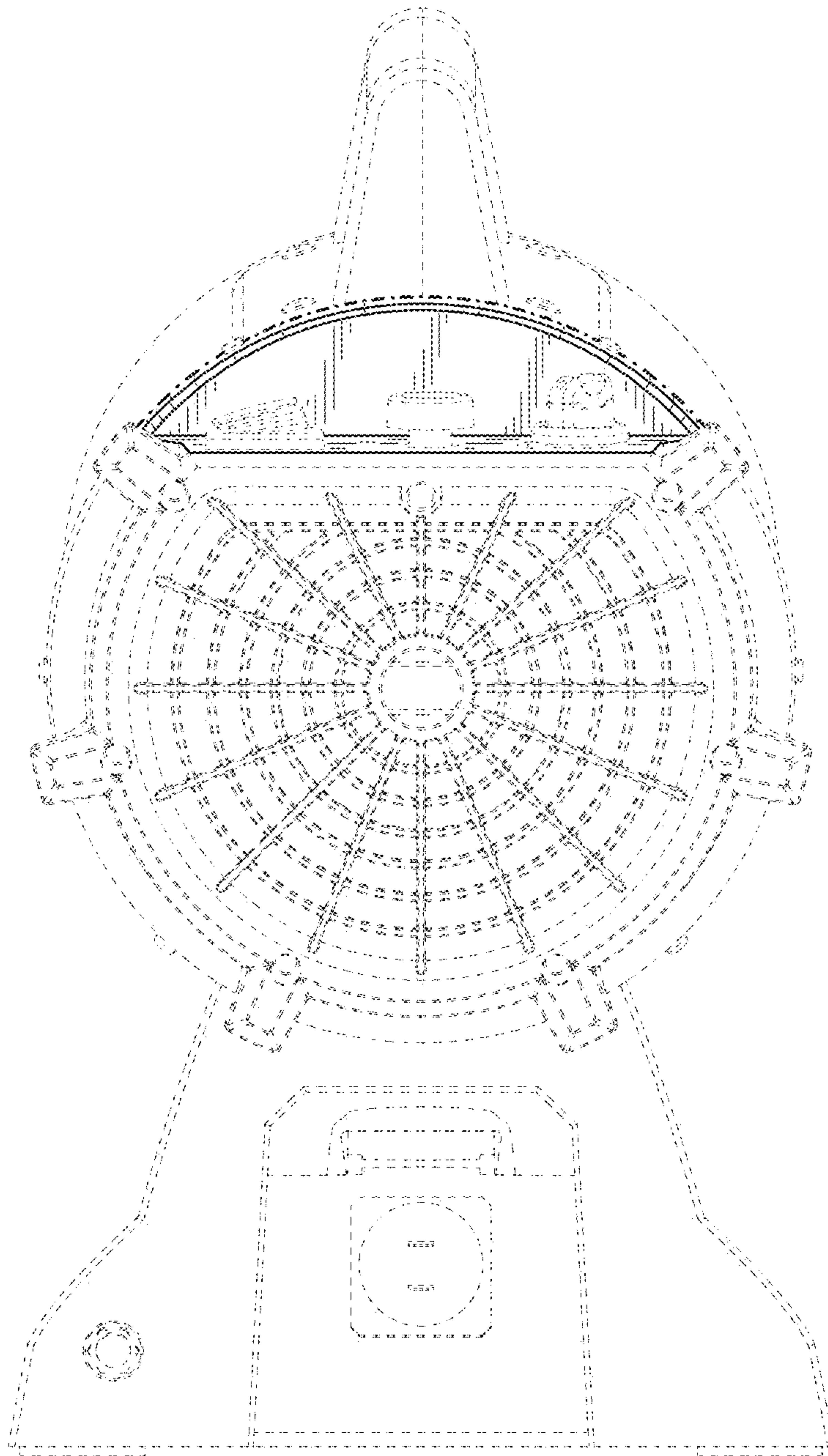


FIG. 5

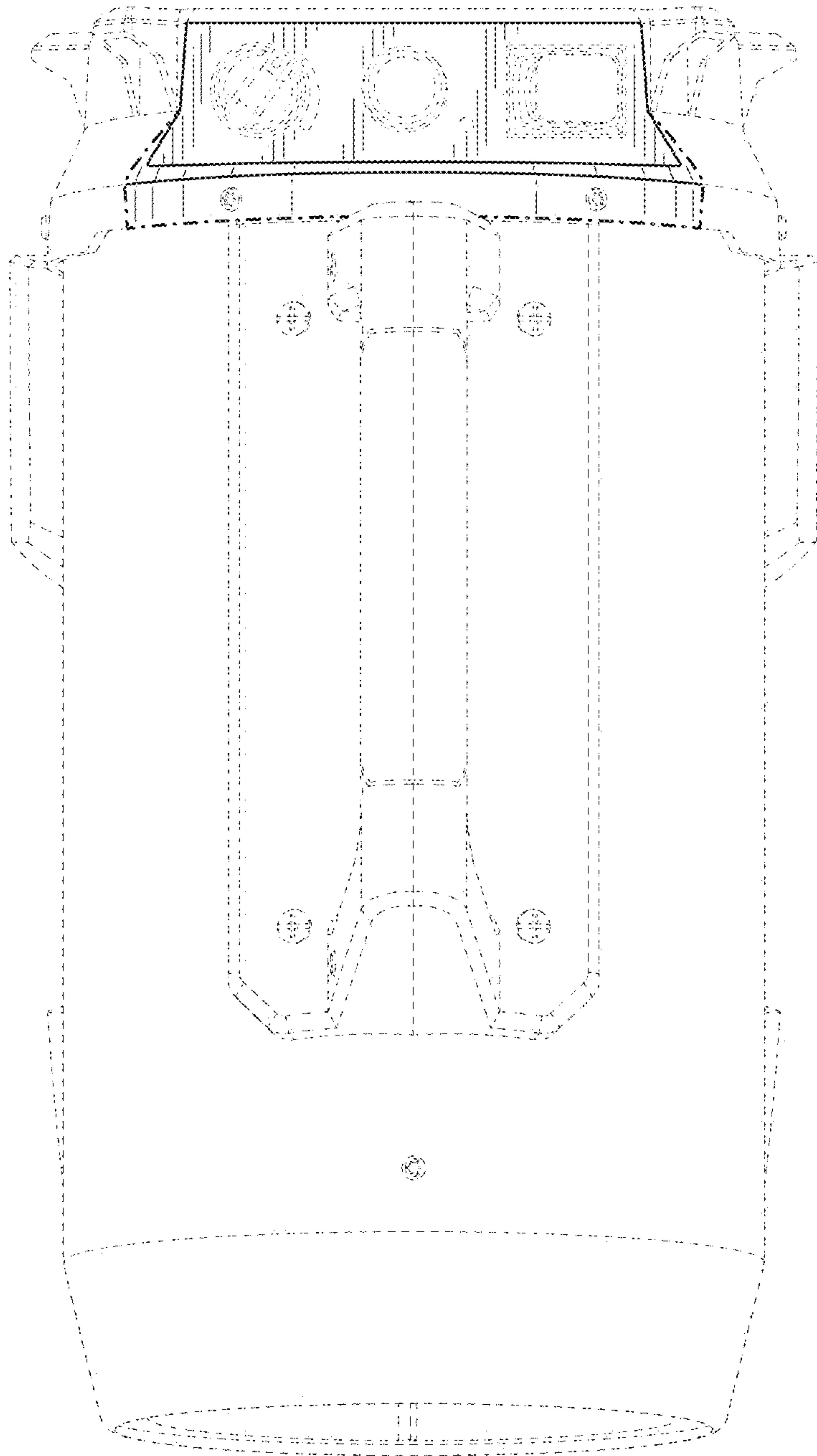


FIG. 6

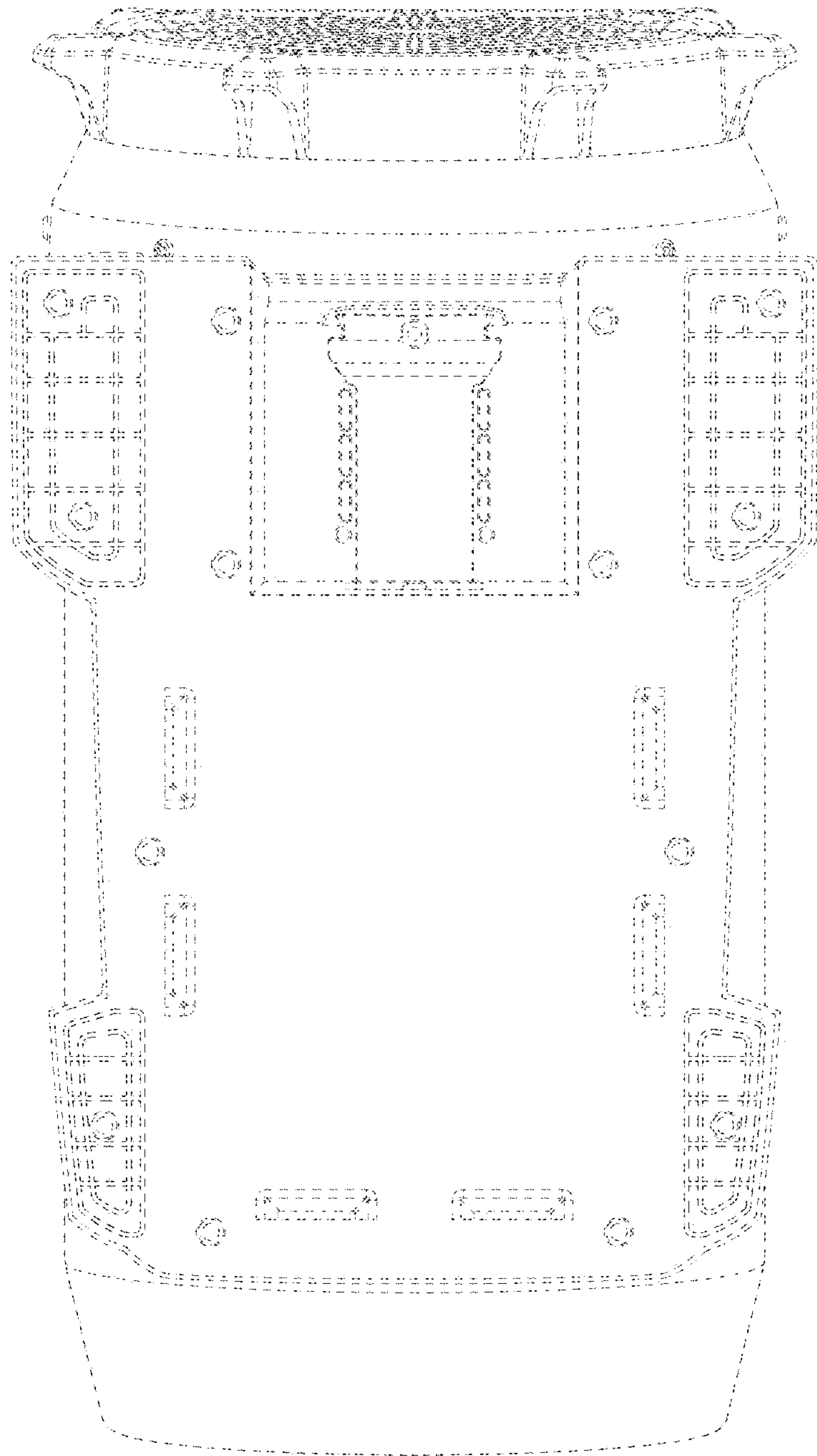


FIG. 7