



US00D963816S

(12) **United States Design Patent**
Bowen et al.

(10) **Patent No.:** **US D963,816 S**
(45) **Date of Patent:** **** Sep. 13, 2022**

(54) **BATHTUB**

(71) Applicant: **Kohler Co.**, Kohler, WI (US)

(72) Inventors: **Stephen J. Bowen**, Sheboygan, WI (US); **Adam M. Moller**, Grafton, WI (US); **Shawn J. Booth**, Sheboygan, WI (US); **Richard C. Kong**, Sheboygan, WI (US)

(73) Assignee: **KOHLER CO.**, Kohler, WI (US)

(**) Term: **15 Years**

(21) Appl. No.: **29/811,049**

(22) Filed: **Oct. 11, 2021**

Related U.S. Application Data

(62) Division of application No. 29/692,262, filed on May 23, 2019, now Pat. No. Des. 933,796.

(51) **LOC (13) Cl.** **23-02**

(52) **U.S. Cl.**
USPC **D23/304**

(58) **Field of Classification Search**
USPC D23/277, 280.1, 280.4
CPC A47K 3/02
See application file for complete search history.

(56) **References Cited**

U.S. PATENT DOCUMENTS

D235,105 S	5/1975	Doman
D235,106 S	5/1975	Doman
4,535,489 A	8/1985	Elkins
D444,547 S	7/2001	Kuo
D448,457 S	9/2001	Funk
D595,392 S	6/2009	Verlinden
D689,947 S	9/2013	Schachter et al.
D709,598 S	7/2014	Dupras
D747,446 S	1/2016	Yoshioka

D784,499 S	4/2017	Malinowska-Gebaska et al.
D913,456 S *	3/2021	Manz D23/280.1
11,229,327 B2 *	1/2022	Yoo A01K 13/001
D948,002 S *	4/2022	Bélanger D23/277
11,304,872 B2 *	4/2022	Izumitani A61H 33/6005

OTHER PUBLICATIONS

Restriction Requirement on U.S. Appl. No. 29/692,262 dated Mar. 25, 2021 (5 pages).

U.S. Notice of Allowance on U.S. Appl. No. 29/692,262 dated Jun. 23, 2021.

* cited by examiner

Primary Examiner — Robert A Delehanty

(74) *Attorney, Agent, or Firm* — Foley & Lardner LLP

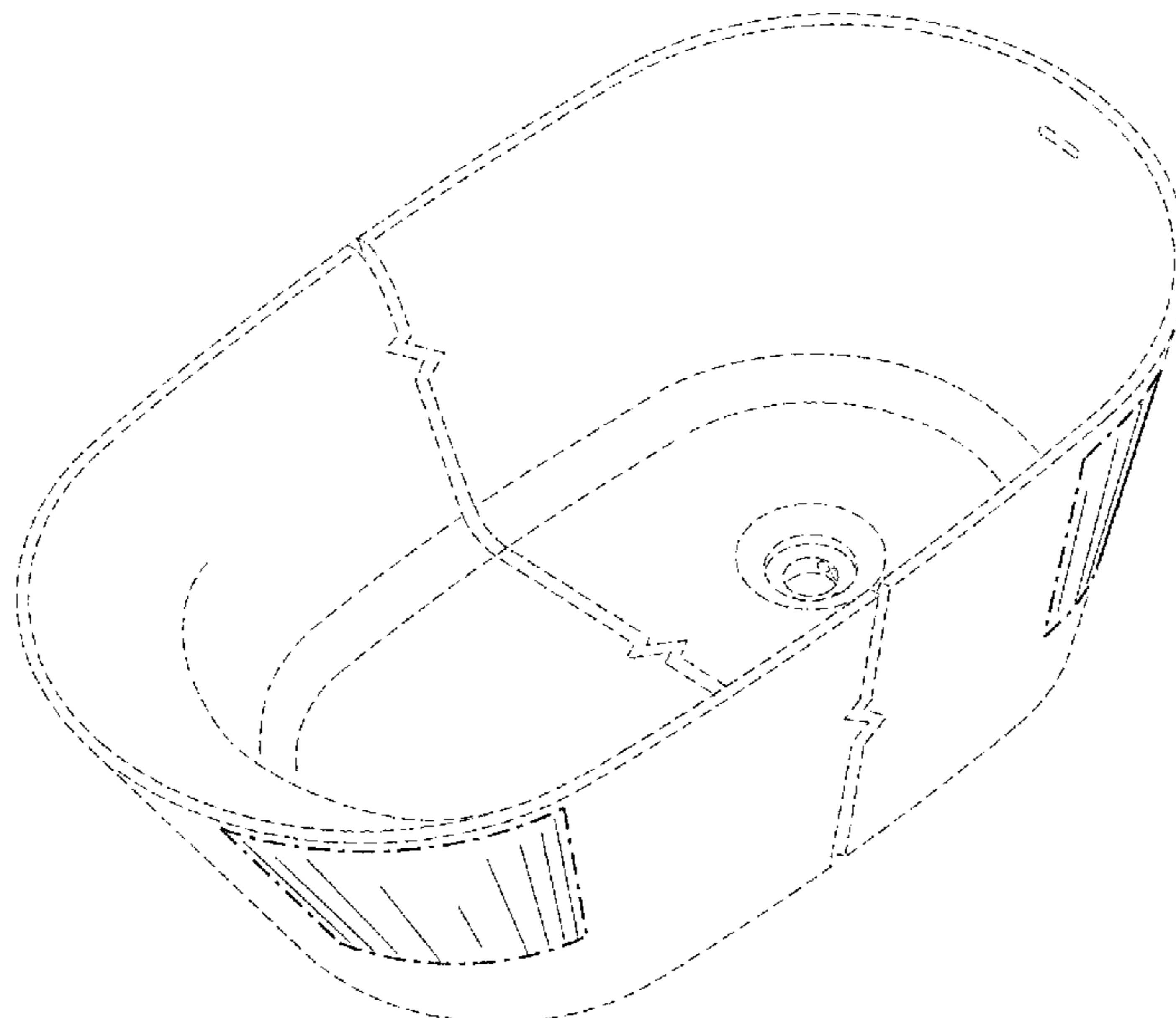
(57) **CLAIM**

We claim the ornamental design for a bathtub, as shown and described.

DESCRIPTION

FIG. 1 is a perspective view of the claimed design; FIG. 2 is a top view of the embodiment of FIG. 1; FIG. 3 is a bottom view of the embodiment of FIG. 1; FIG. 4 is a side view of the embodiment of FIG. 1; FIG. 5 is a front view of the embodiment of FIG. 1; and, FIG. 6 is a rear view of the embodiment of FIG. 1. The ornamental design which is claimed is shown in solid lines in the drawings. The broken lines in the drawings are for illustrative purposes only and form no part of the claimed design. Broken lines formed by equal length dashes show unclaimed subject matter. Broken lines formed by unequal length dashes (i.e., dash-dot) define bounds of the claimed design.

1 Claim, 5 Drawing Sheets



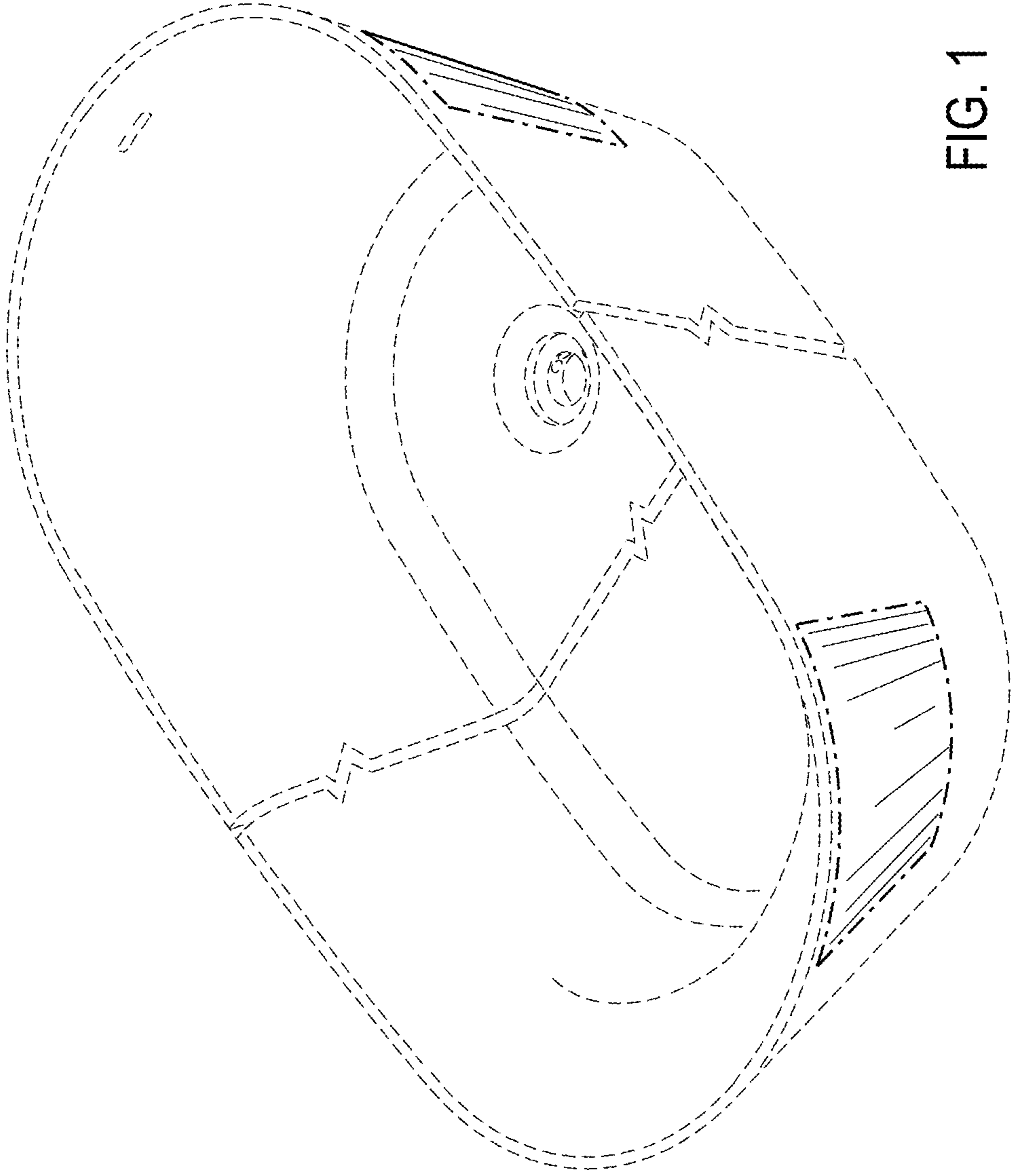


FIG. 1

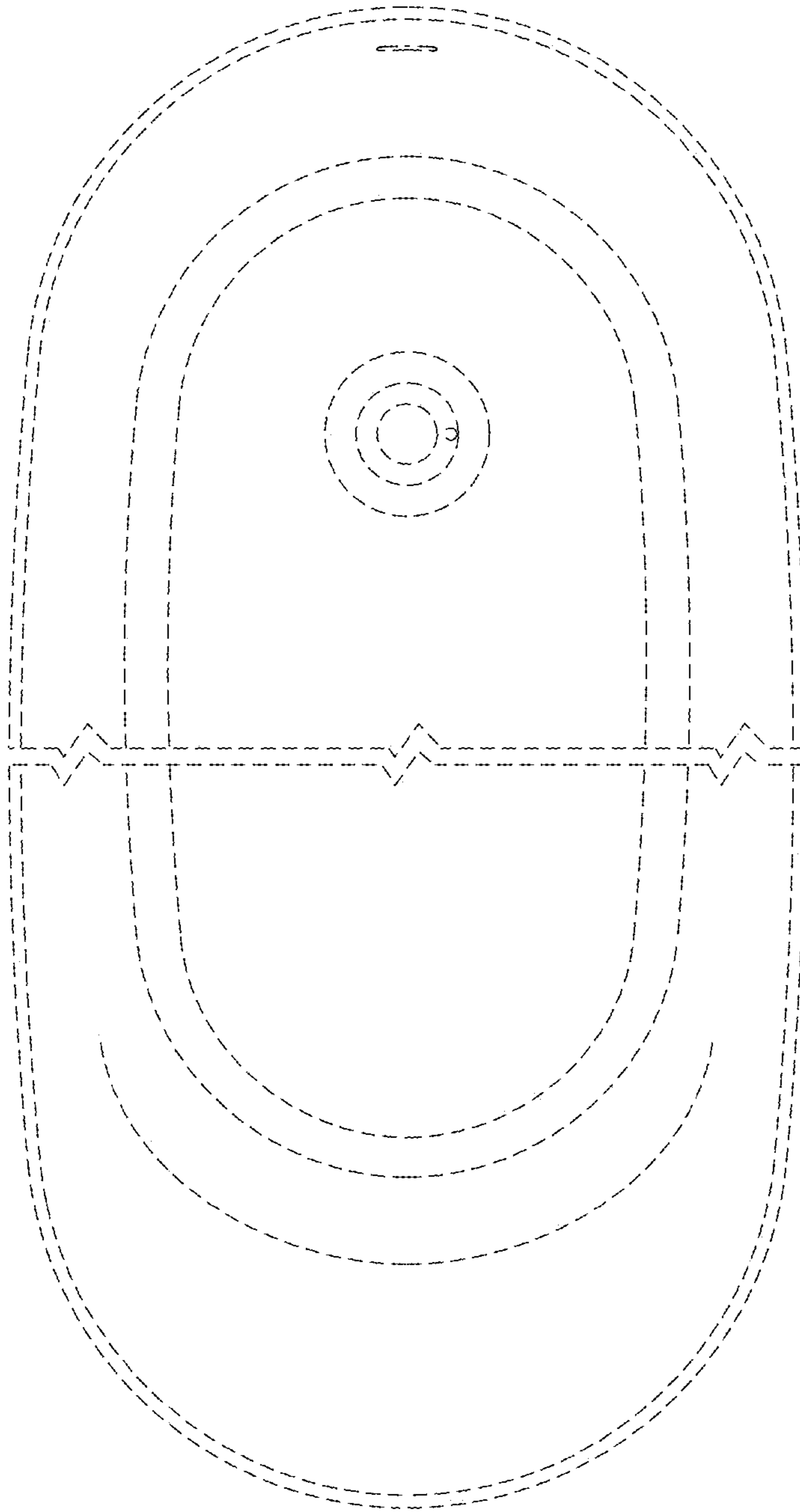


FIG. 2

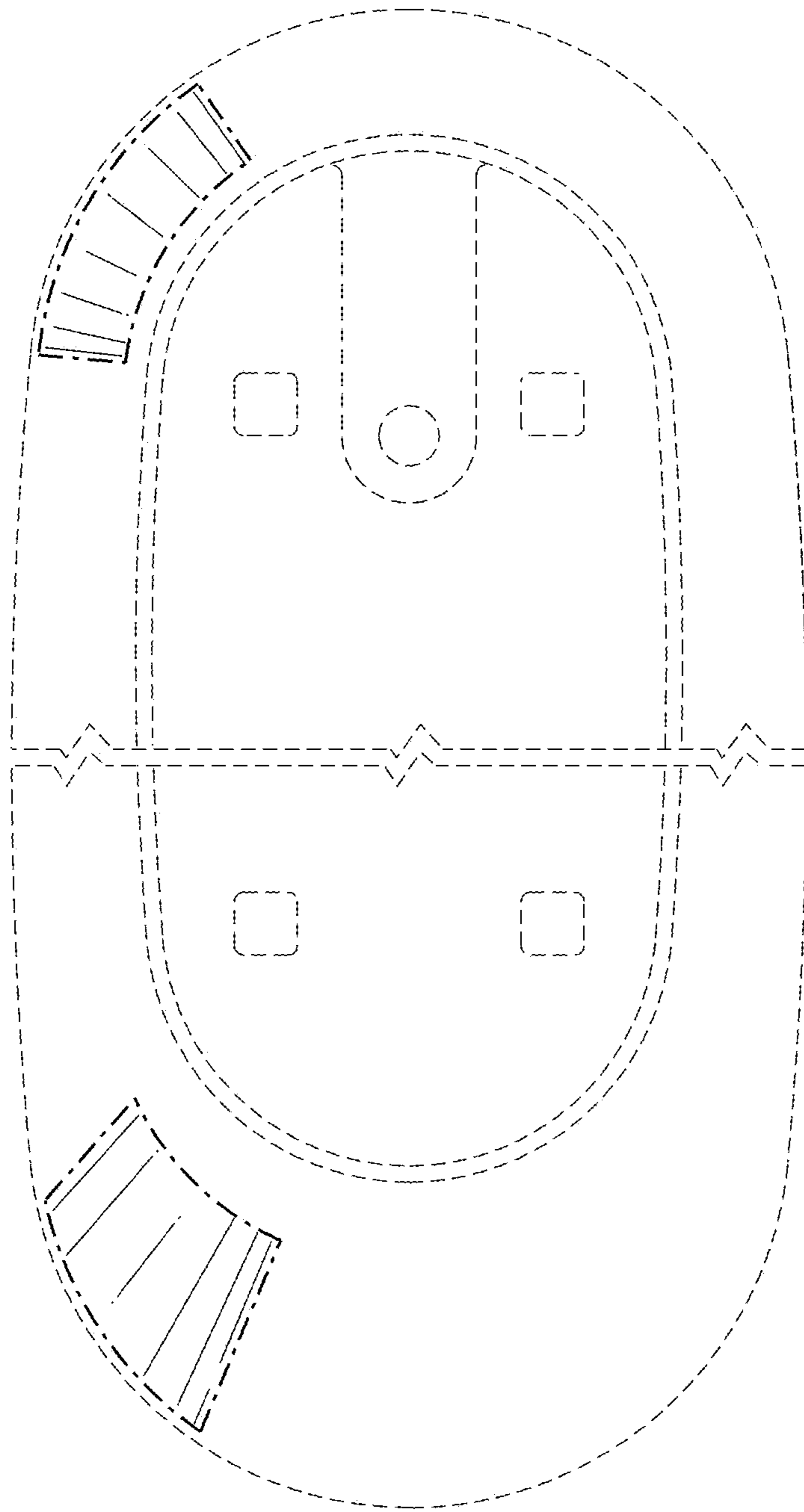


FIG. 3

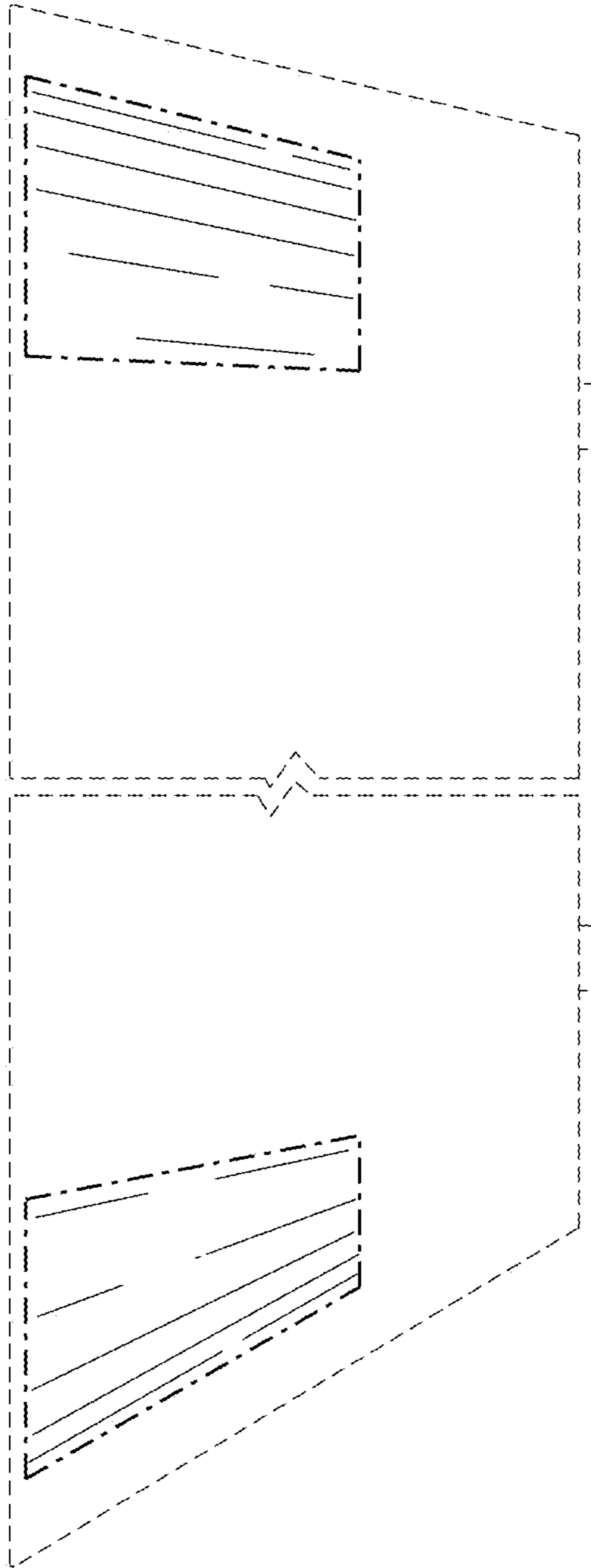


FIG. 4

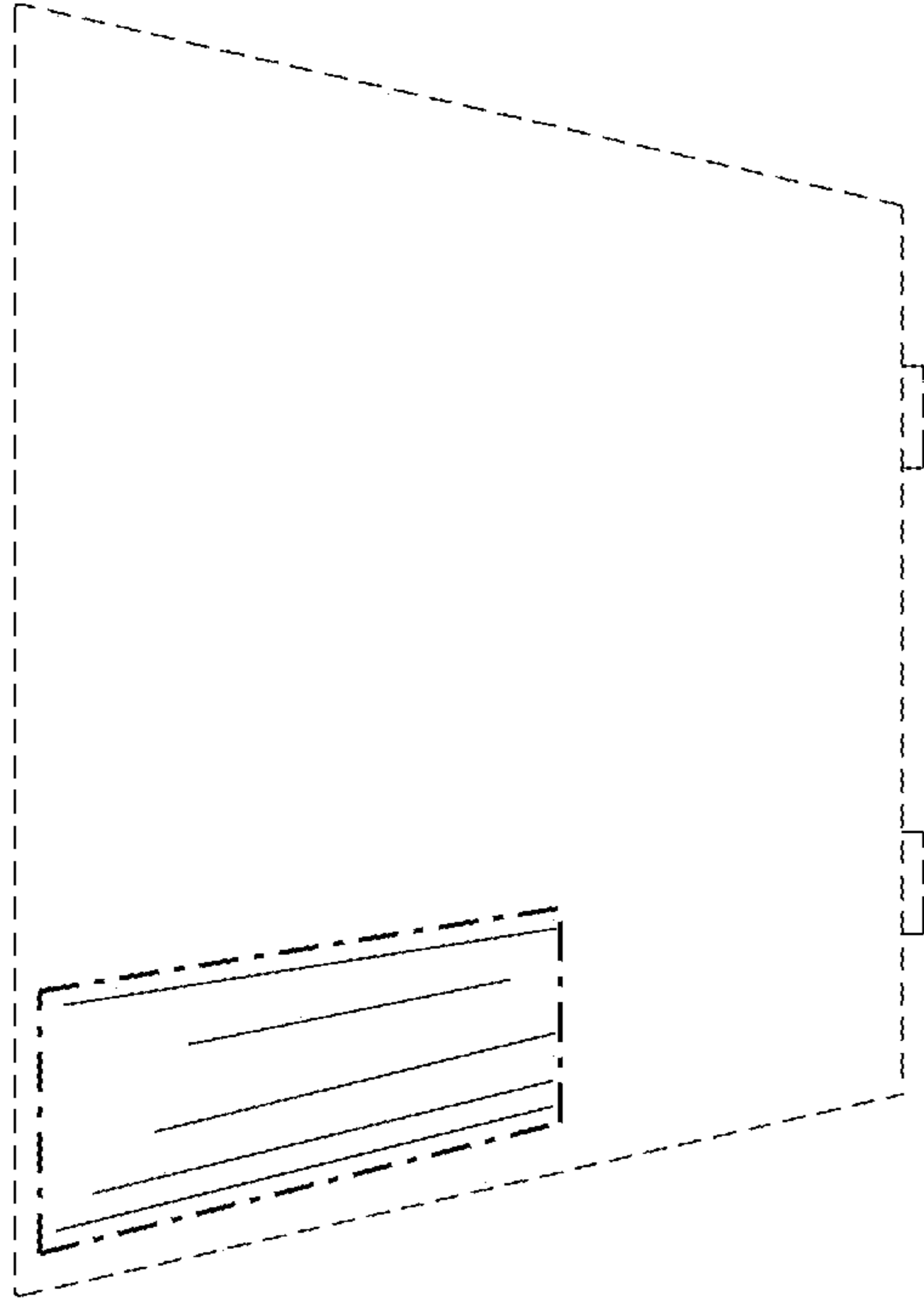


FIG. 6

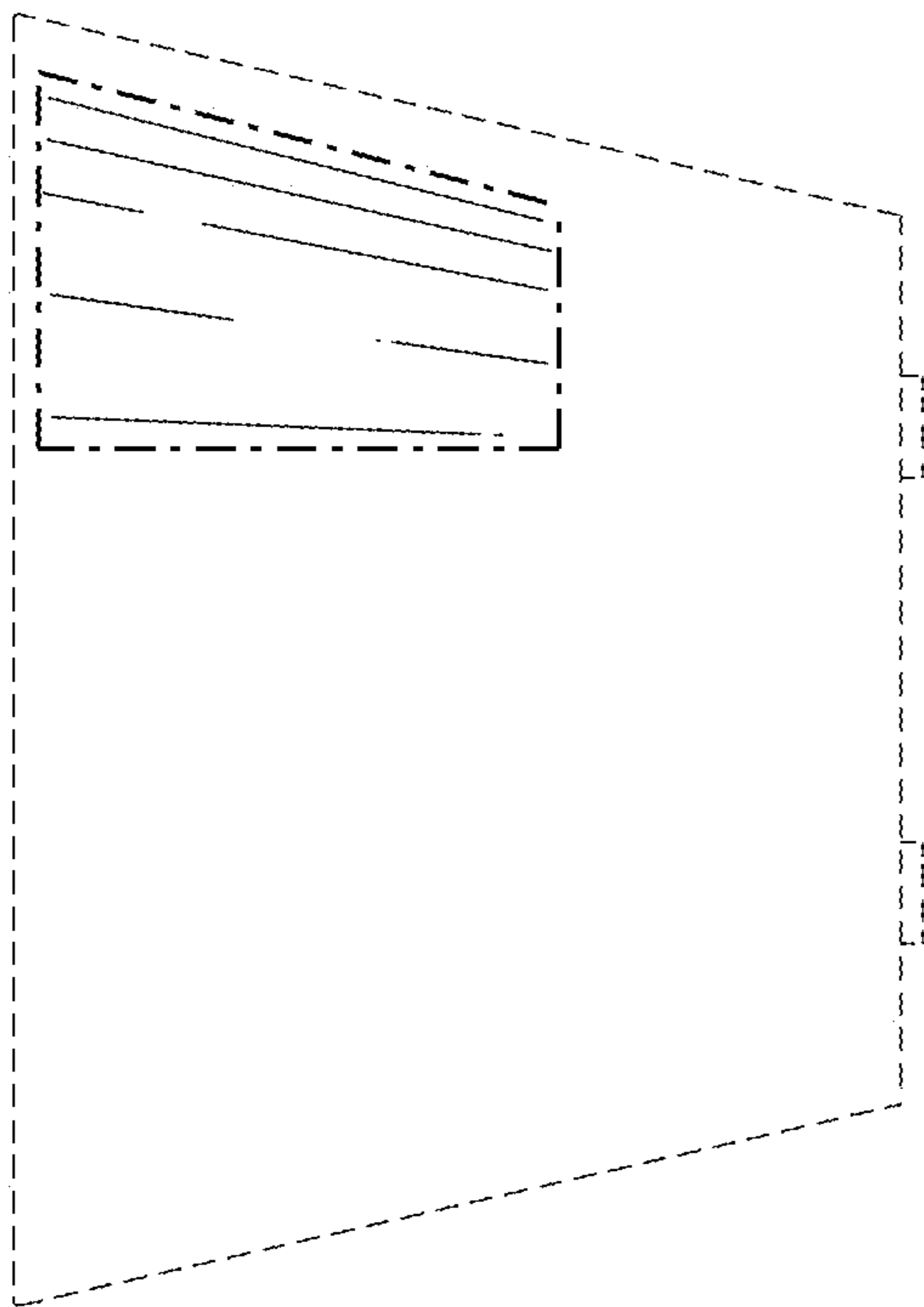


FIG. 5