



US00D963815S

(12) **United States Design Patent** (10) **Patent No.:** **US D963,815 S**
Stromborg (45) **Date of Patent:** **** Sep. 13, 2022**

(54) **TUB**
(71) Applicant: **M. Arthur Gensler, Jr. & Associates, Inc.**, Washington, DC (US)
(72) Inventor: **Daniel Stromborg**, Los Angeles, CA (US)
(73) Assignee: **M. ARTHUR GENSLER, JR. & ASSOCIATES, INC.**, Washington, DC (US)
(**) Term: **15 Years**

(21) Appl. No.: **29/771,577**
(22) Filed: **Feb. 24, 2021**
(51) **LOC (13) Cl.** **23-02**
(52) **U.S. Cl.**
USPC **D23/280.1**
(58) **Field of Classification Search**
USPC D23/275-277, 280.1, 303-306;
D24/204-205
See application file for complete search history.

(56) **References Cited**
U.S. PATENT DOCUMENTS
D470,579 S * 2/2003 Foster D23/280.1
D473,634 S * 4/2003 Foster D23/277
D747,446 S * 1/2016 Yoshioka D23/277
D895,081 S * 9/2020 Lee D23/280.1
10,993,875 B2 * 5/2021 Amici A61H 33/04
11,229,327 B2 * 1/2022 Yoo A47K 3/02
D943,068 S * 2/2022 Kang D23/277

* cited by examiner

Primary Examiner — Robert A Delehanty
(74) *Attorney, Agent, or Firm* — Lucas & Mercanti, LLP

(57) **CLAIM**

The ornamental design for a tub, as shown and described.

DESCRIPTION

FIG. 1 is a top right perspective view of a tub in accordance with my design;
FIG. 2 is a left bottom perspective view thereof;
FIG. 3 is a top view thereof;
FIG. 4 is a bottom view thereof
FIG. 5 is a left side view thereof;
FIG. 6 is a right side view thereof;
FIG. 7 is a front view thereof;
FIG. 8 is a rear view thereof;
FIG. 9 is a top right perspective view of a second embodiment of my tub design;
FIG. 10 is a left bottom perspective view thereof;
FIG. 11 is a top view thereof;
FIG. 12 is a bottom view thereof
FIG. 13 is a left side view thereof;
FIG. 14 is a right side view thereof;
FIG. 15 is a front view thereof; and,
FIG. 16 is a rear view thereof.
The broken lines form no part of the claimed design.

1 Claim, 8 Drawing Sheets

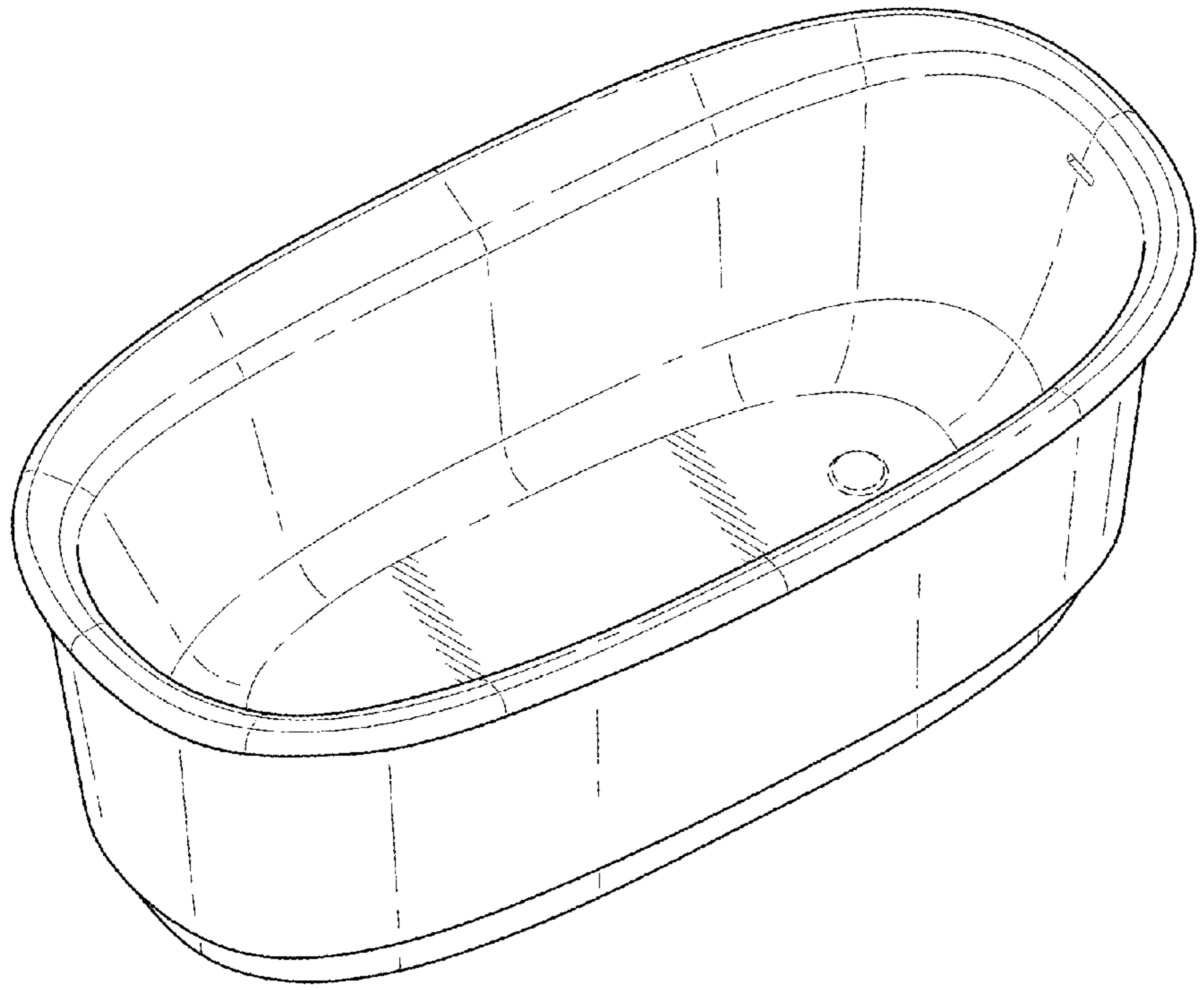


FIG. 1

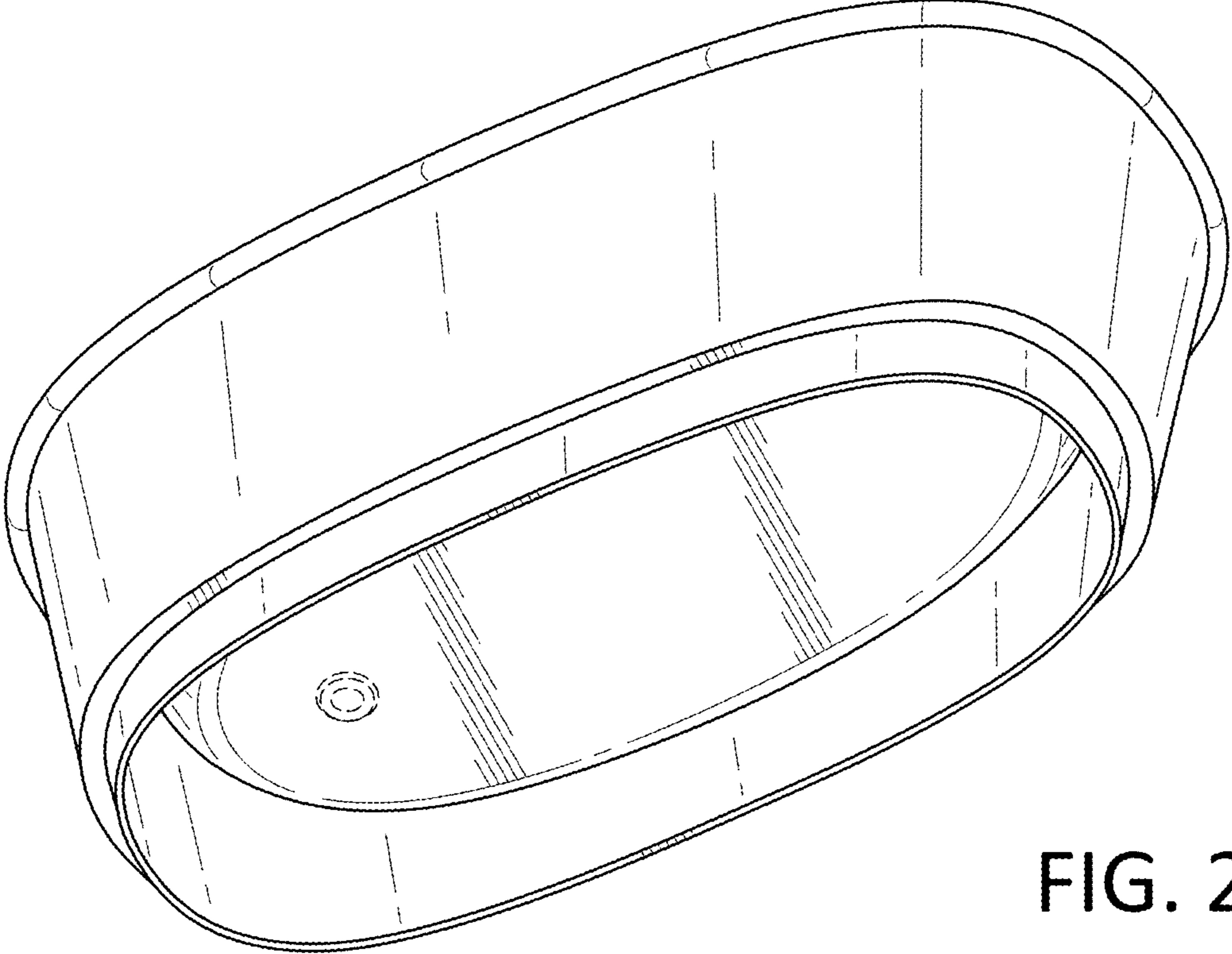
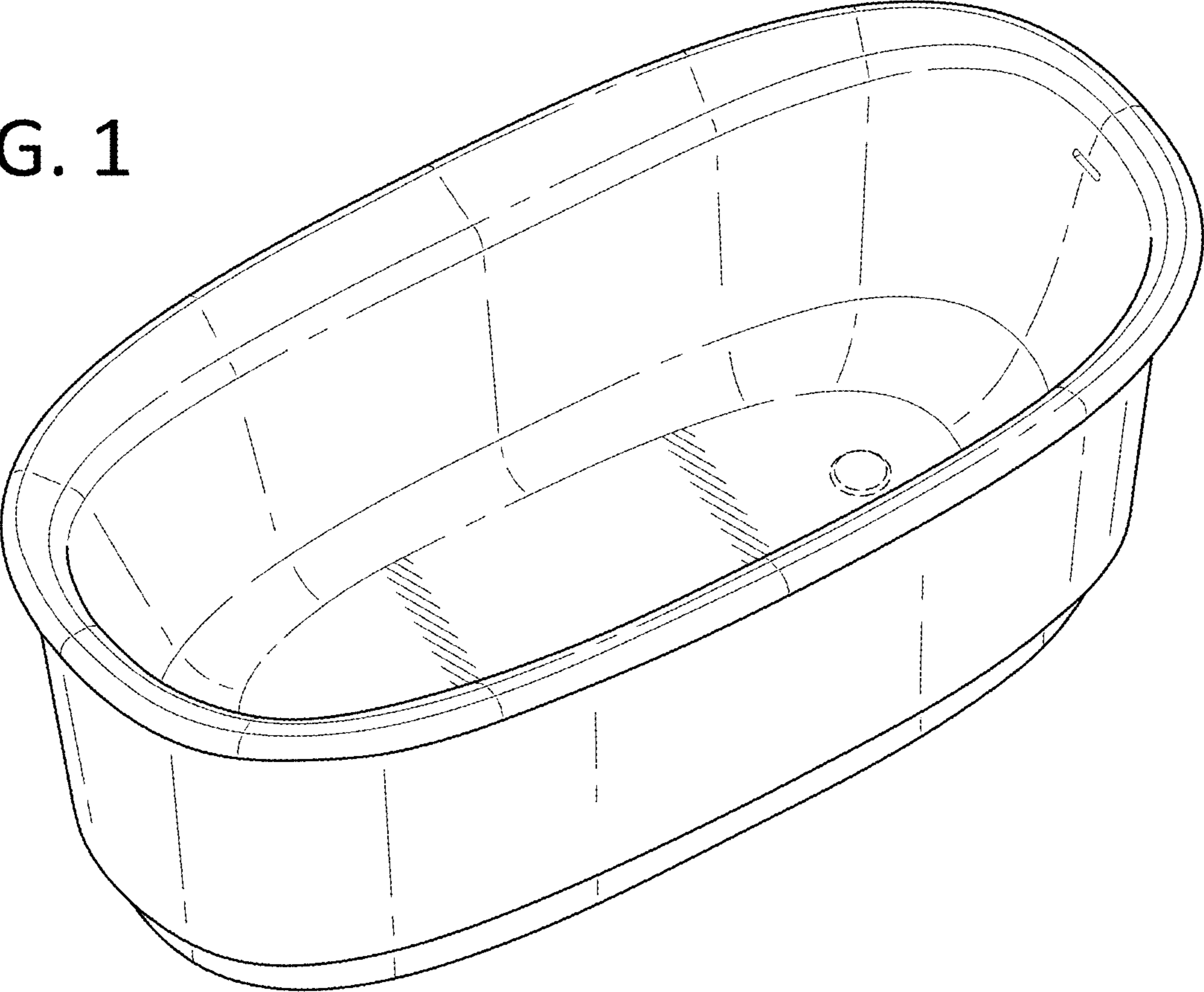


FIG. 2

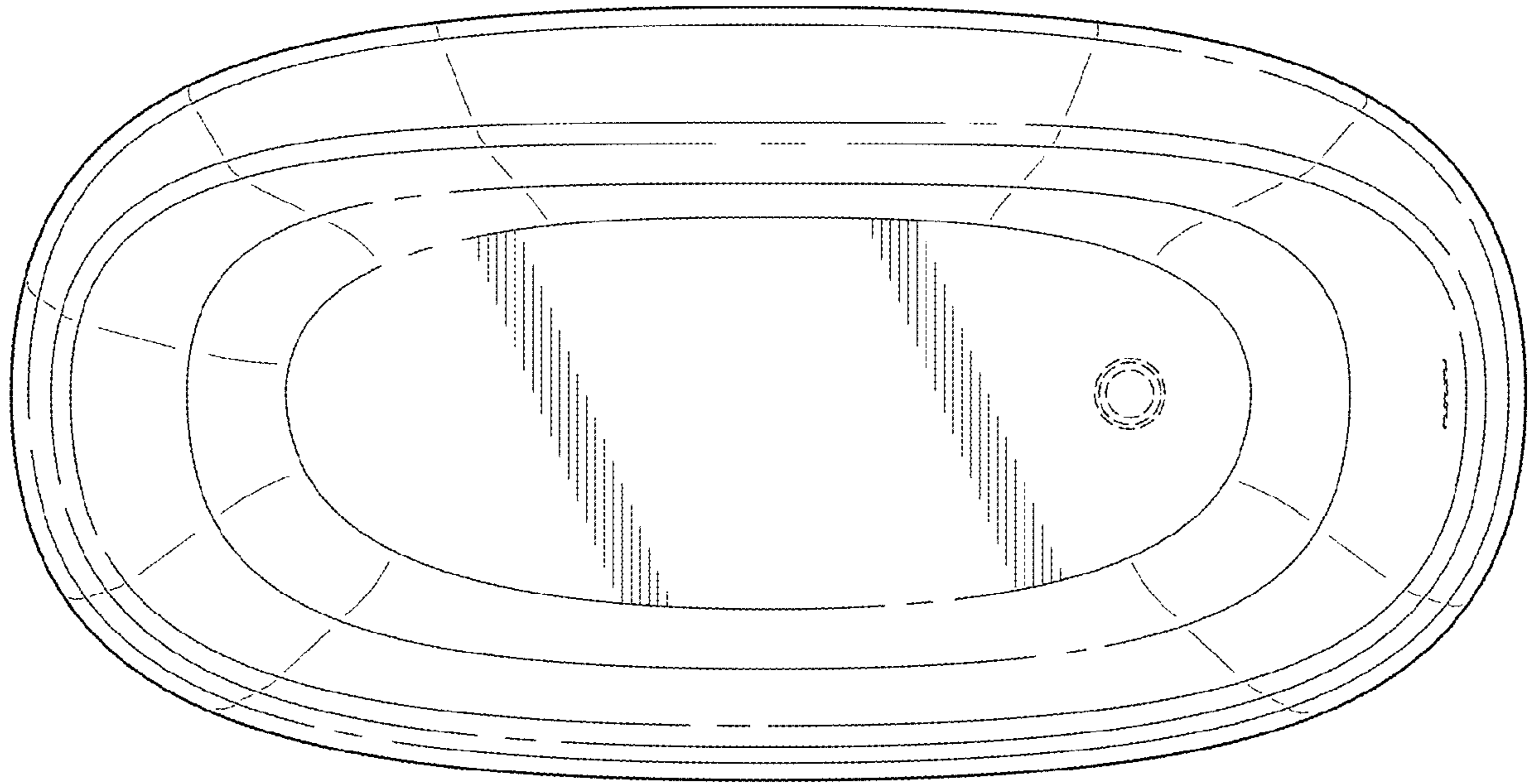


FIG. 3

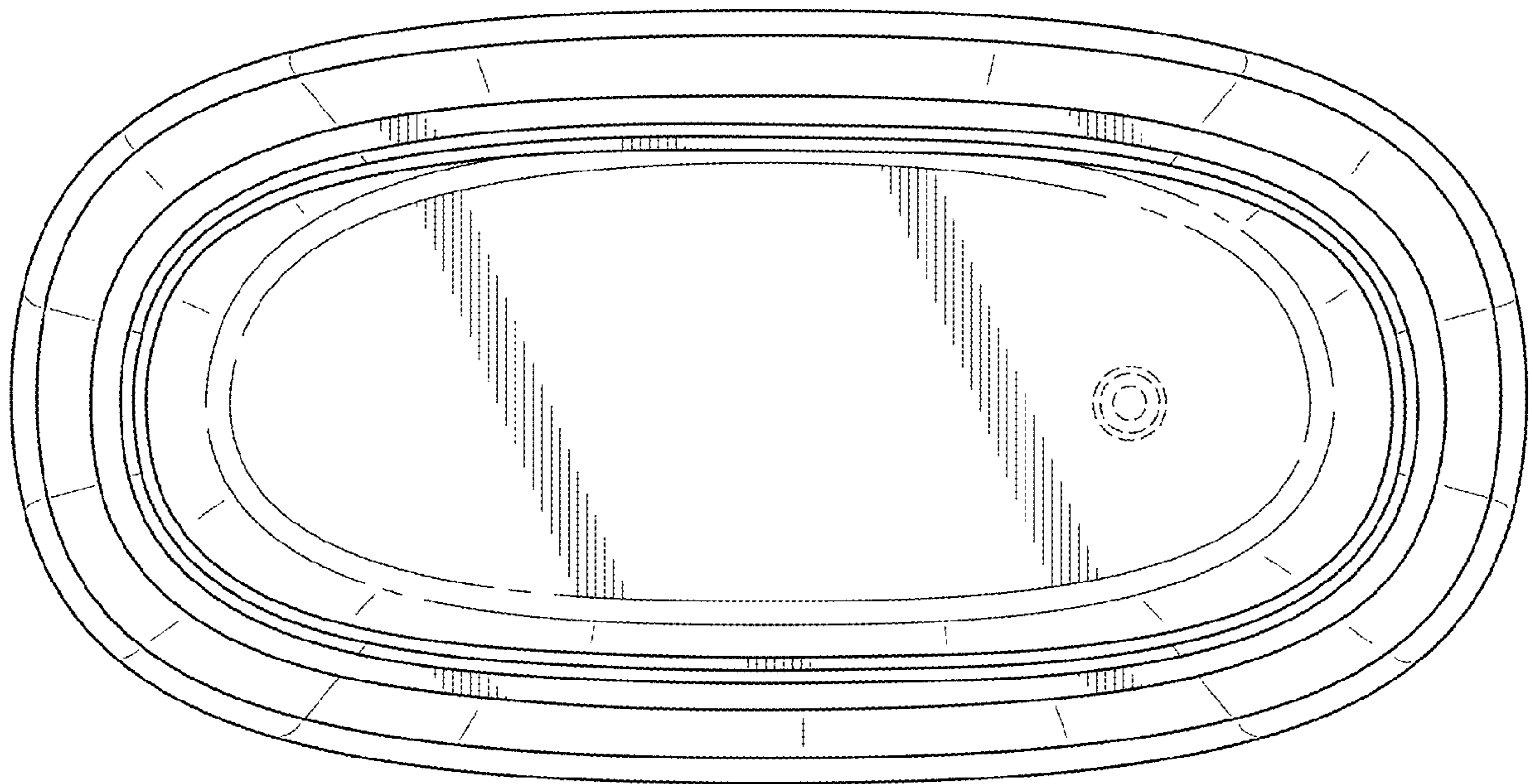


FIG. 4

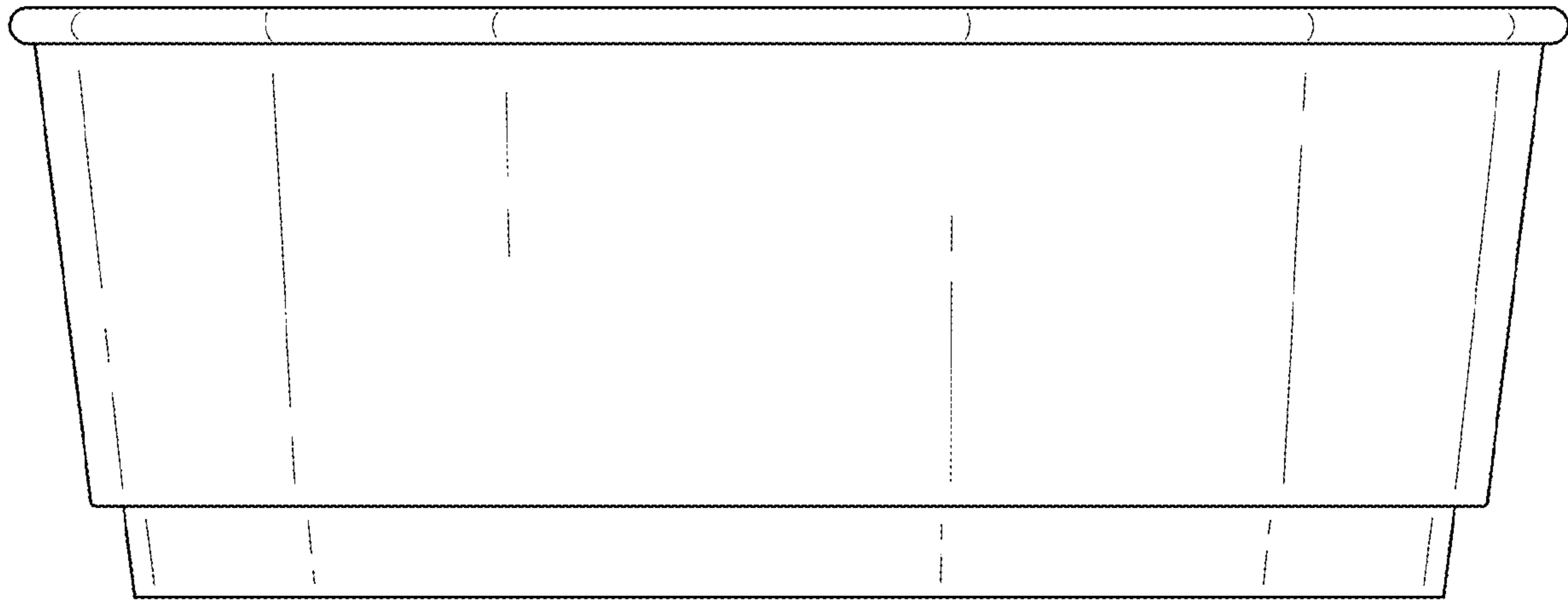


FIG. 5

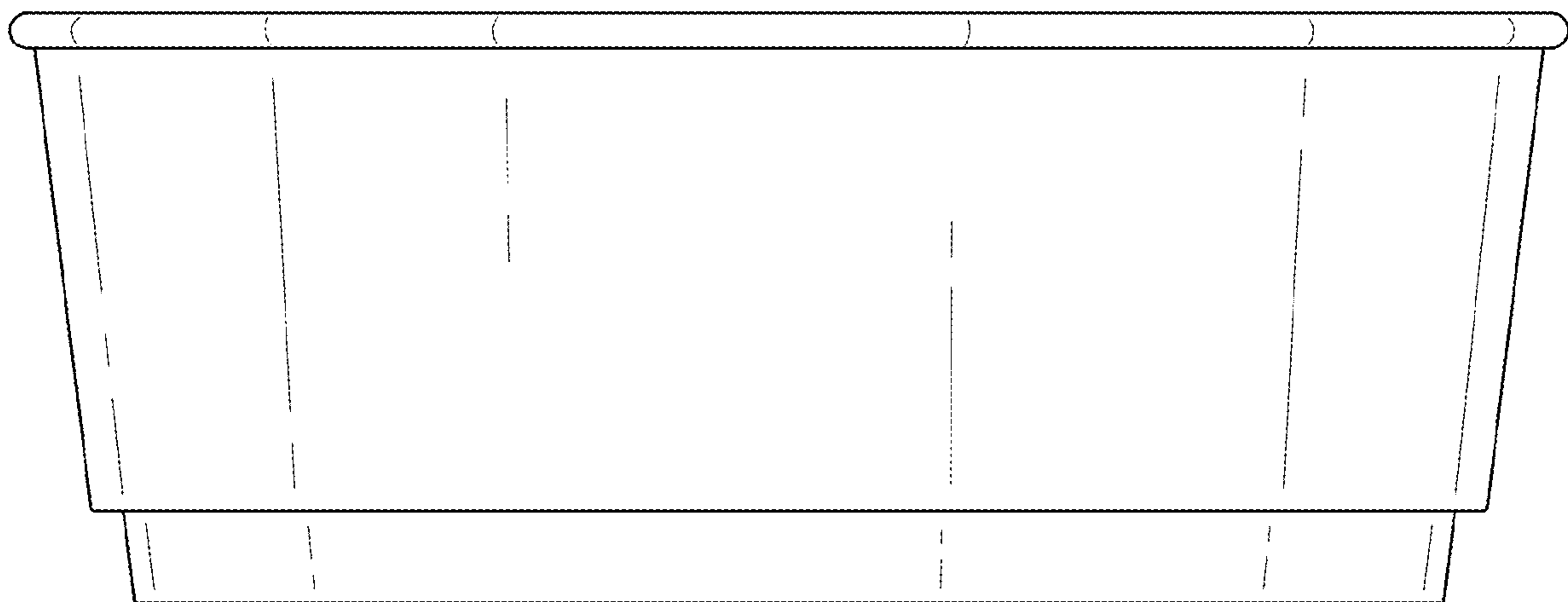


FIG. 6

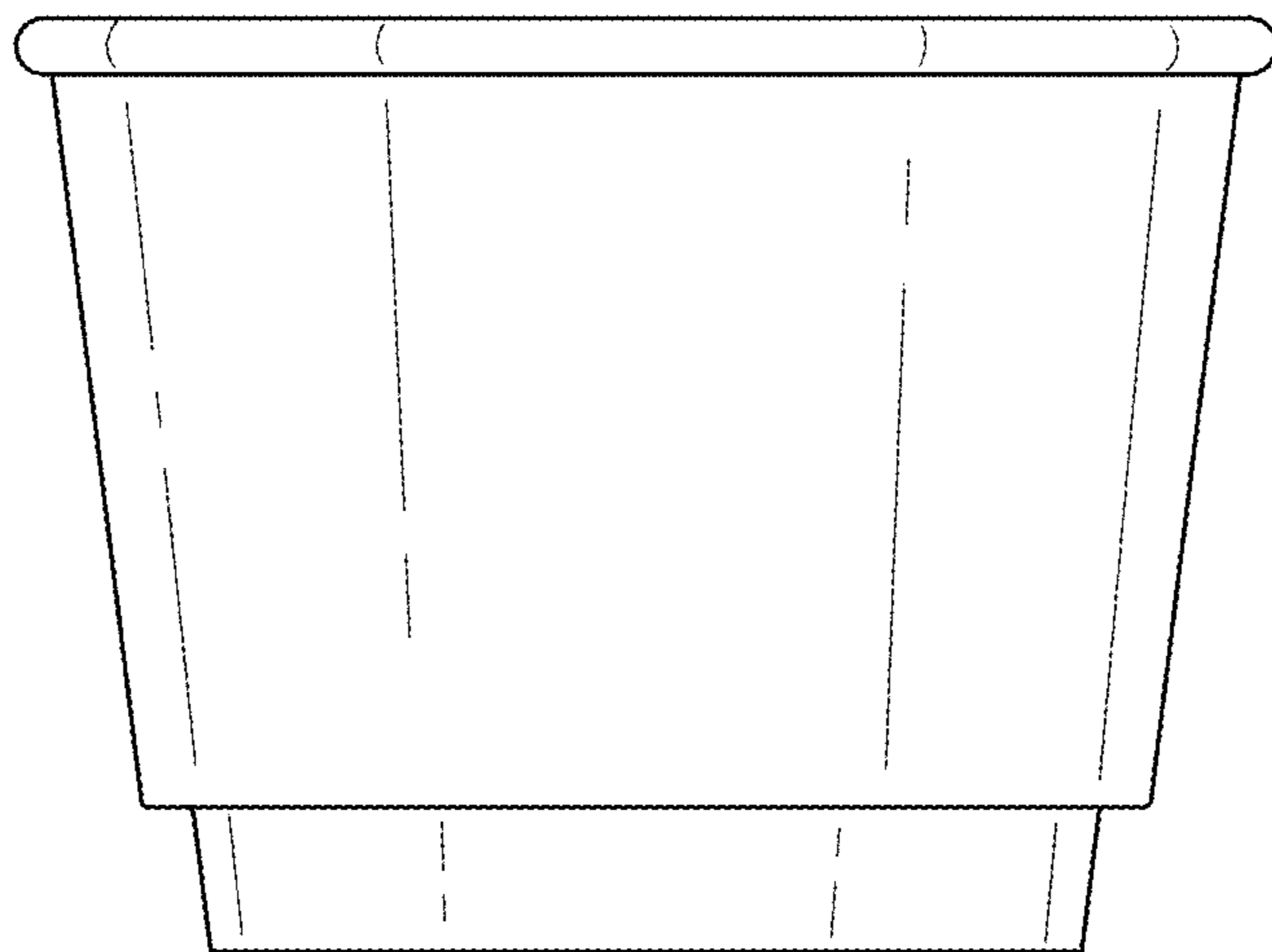


FIG. 7

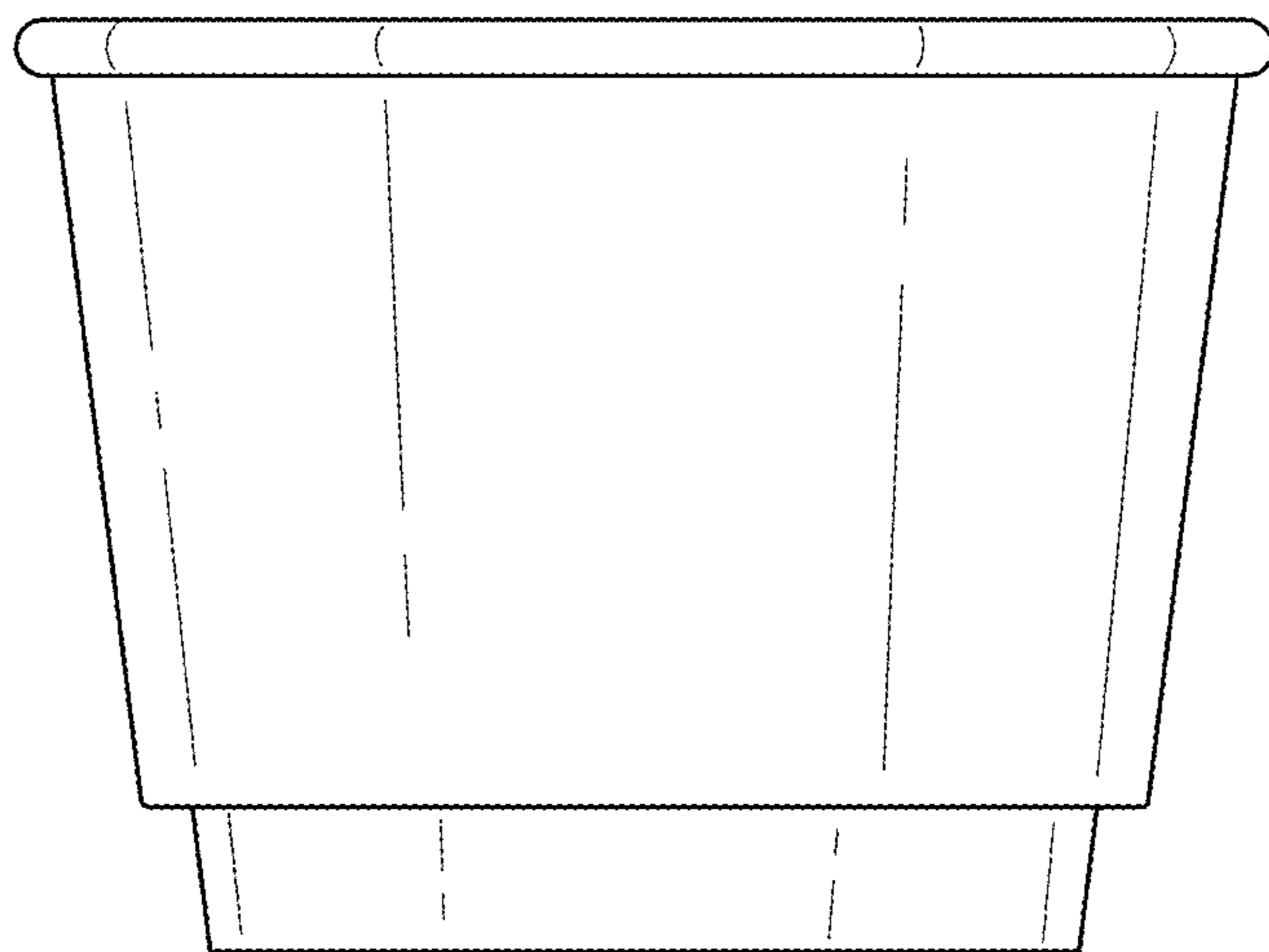


FIG. 8

FIG. 9

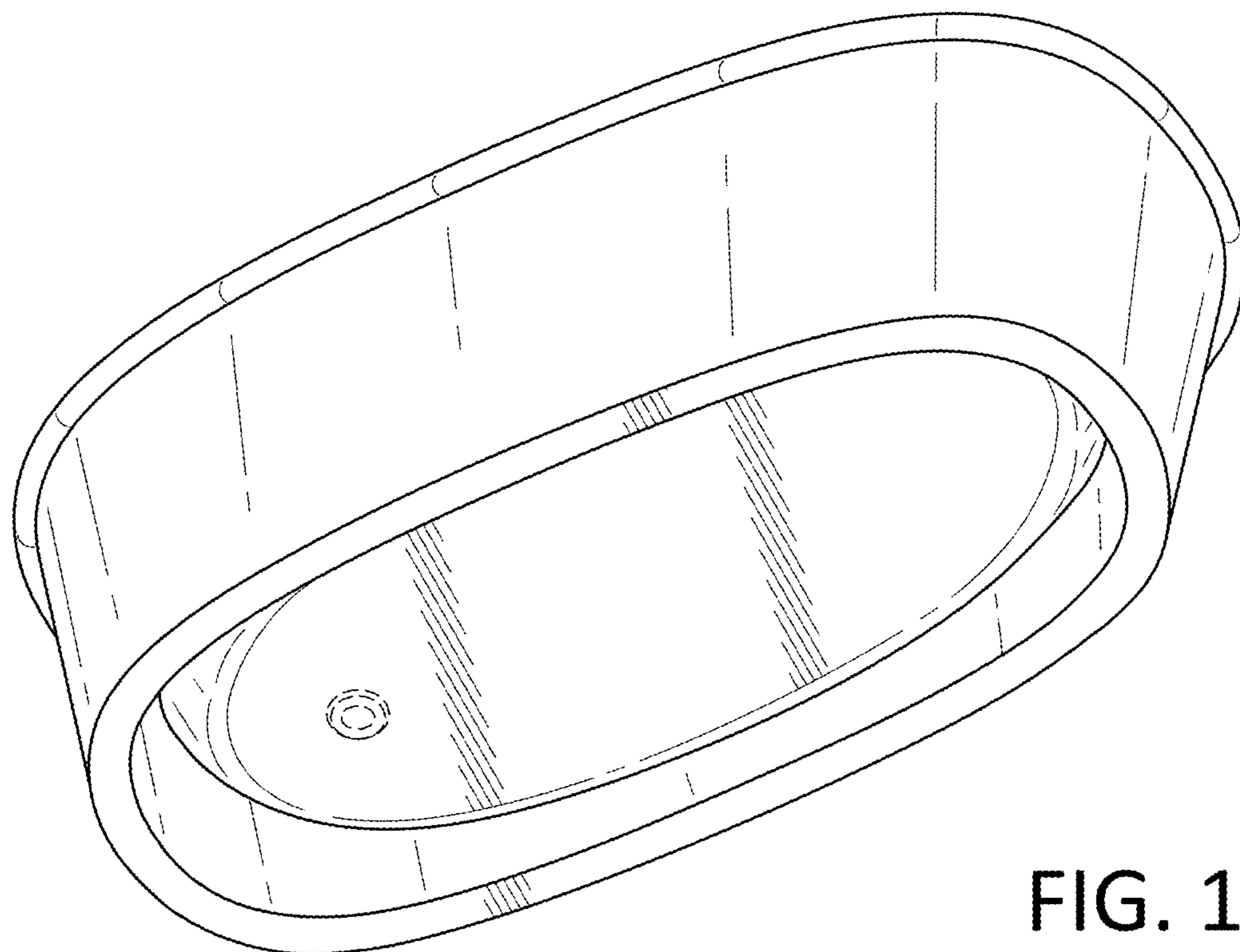
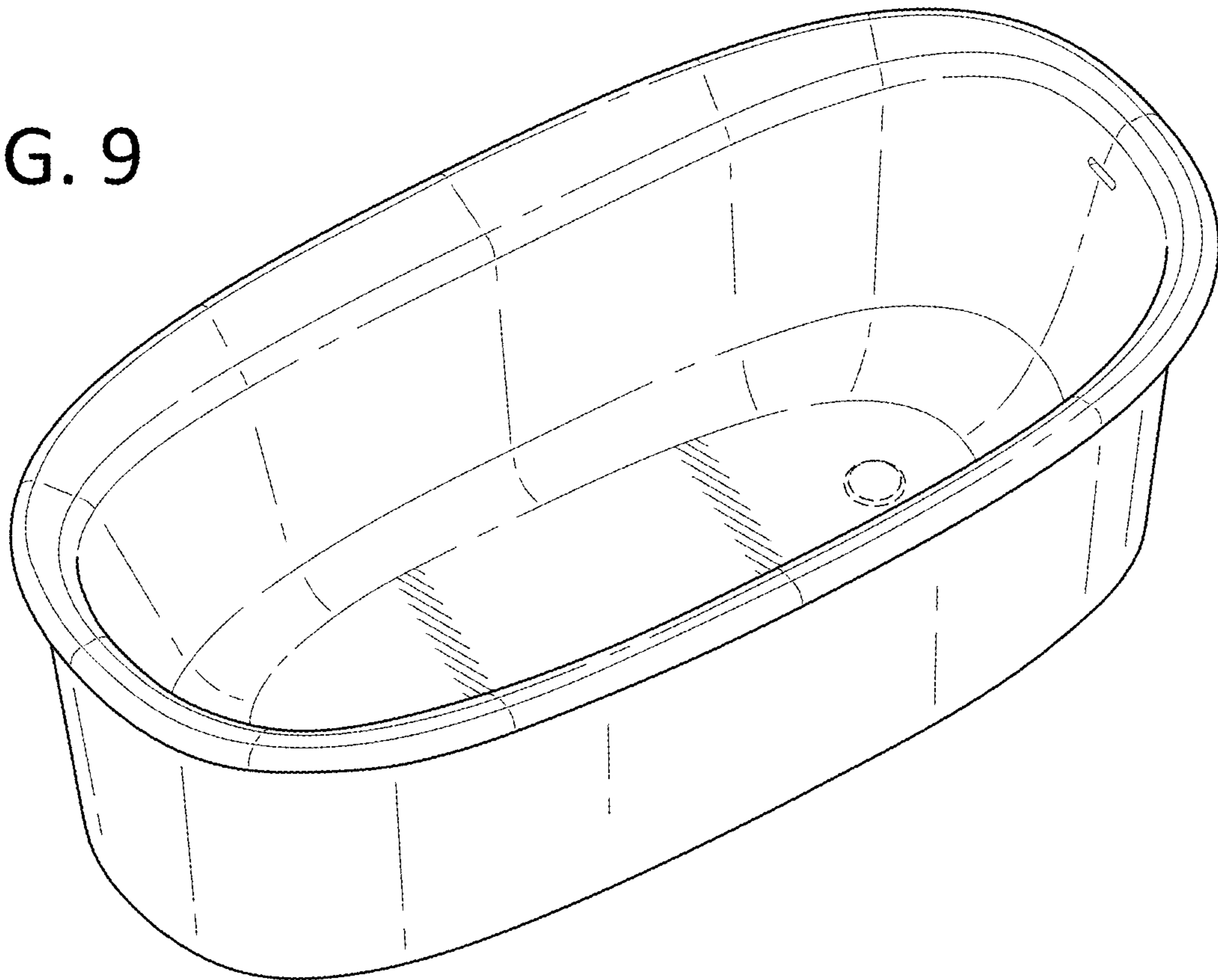


FIG. 10

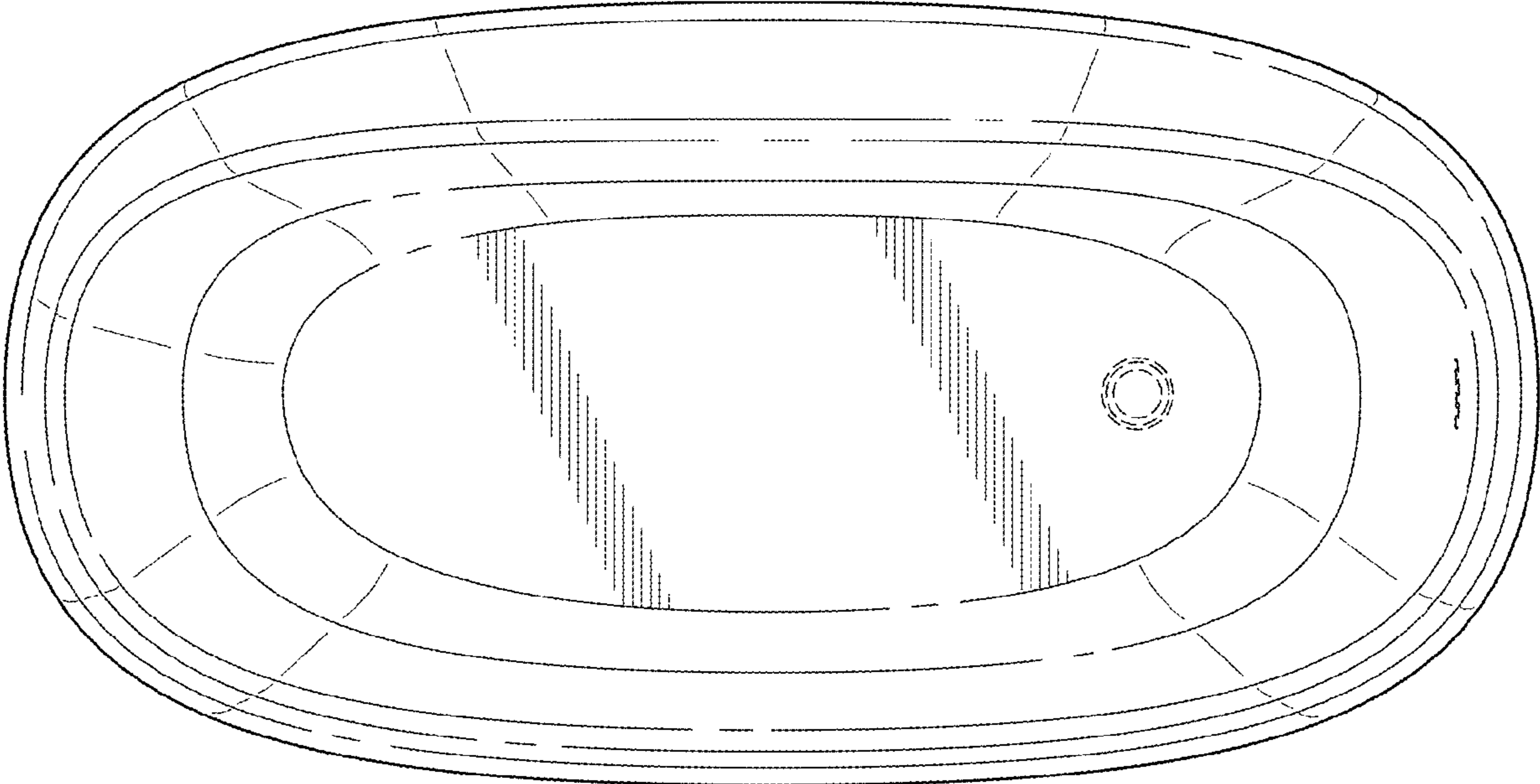


FIG. 11

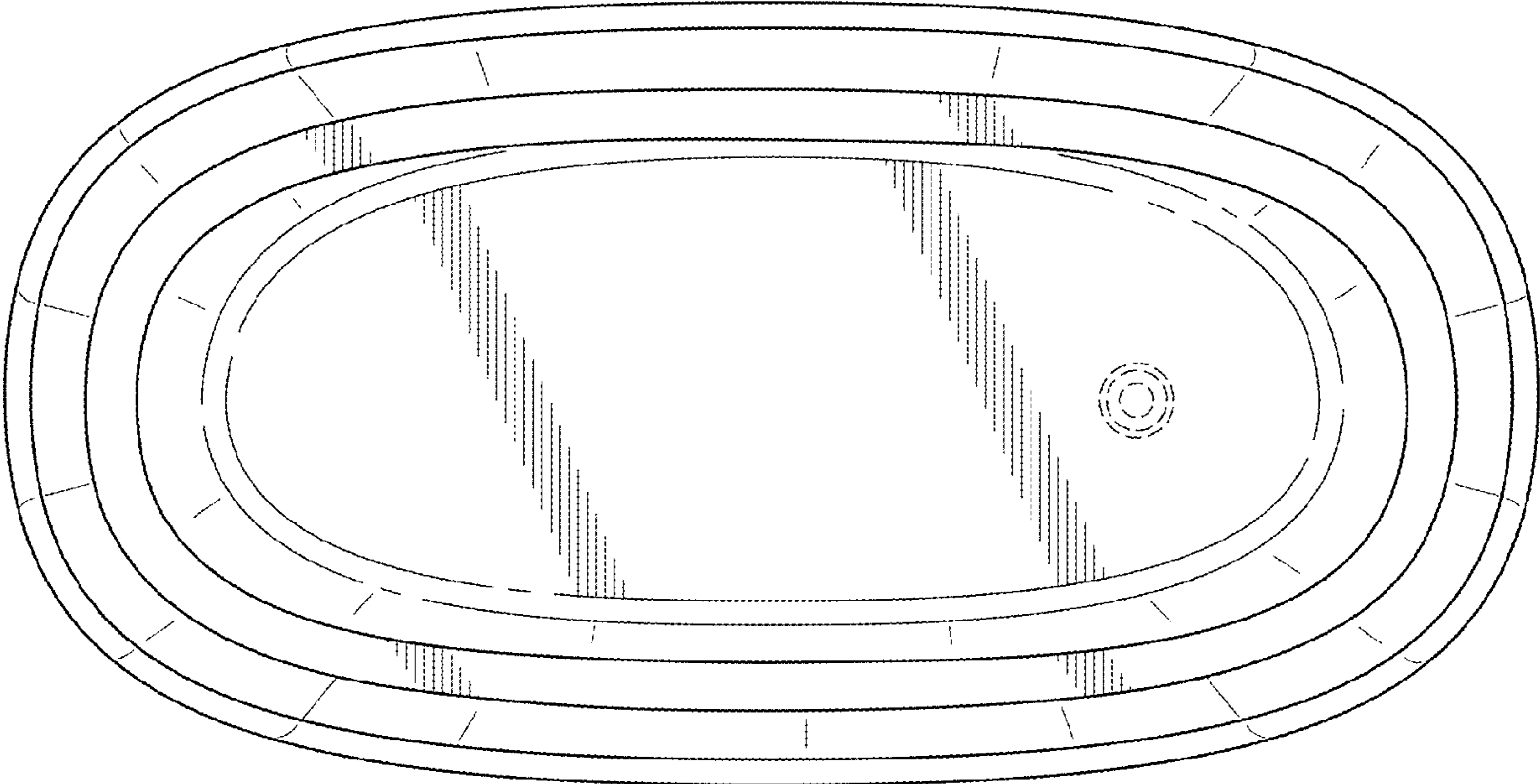


FIG. 12

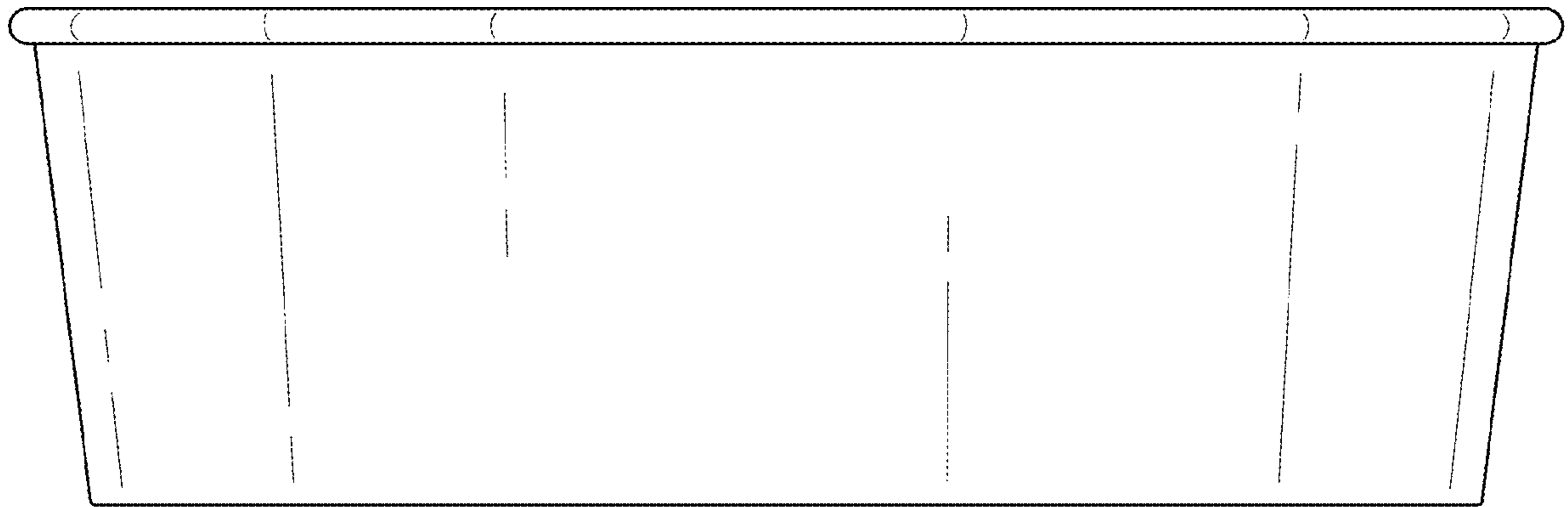


FIG. 13

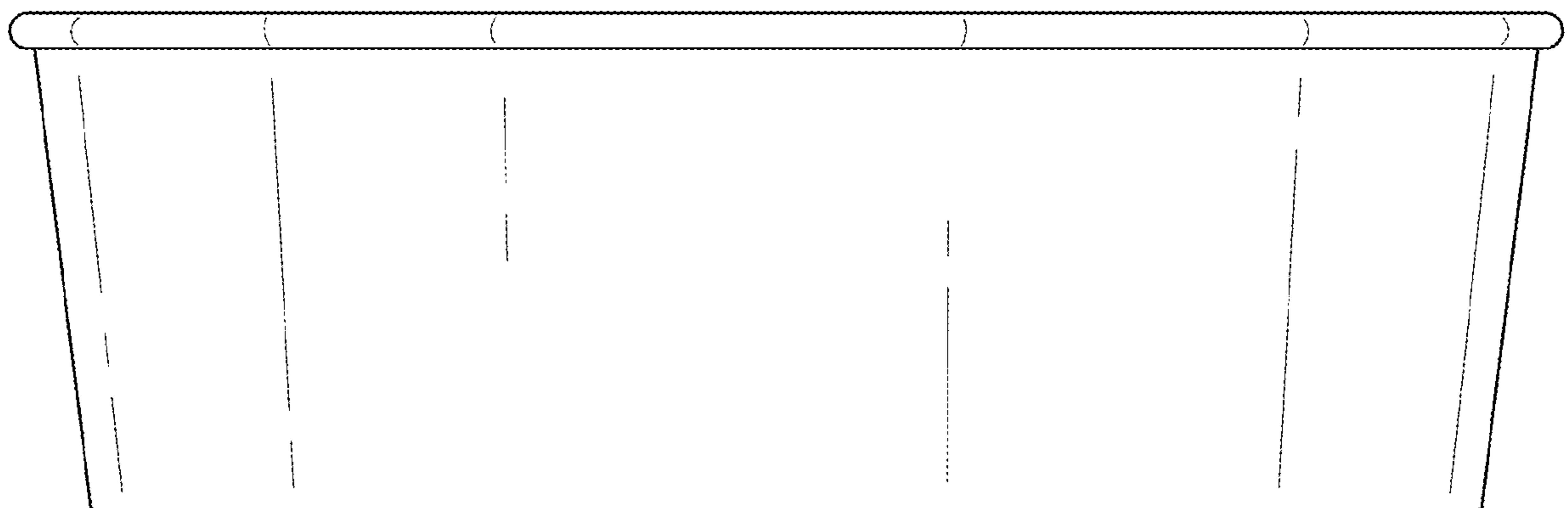


FIG. 14

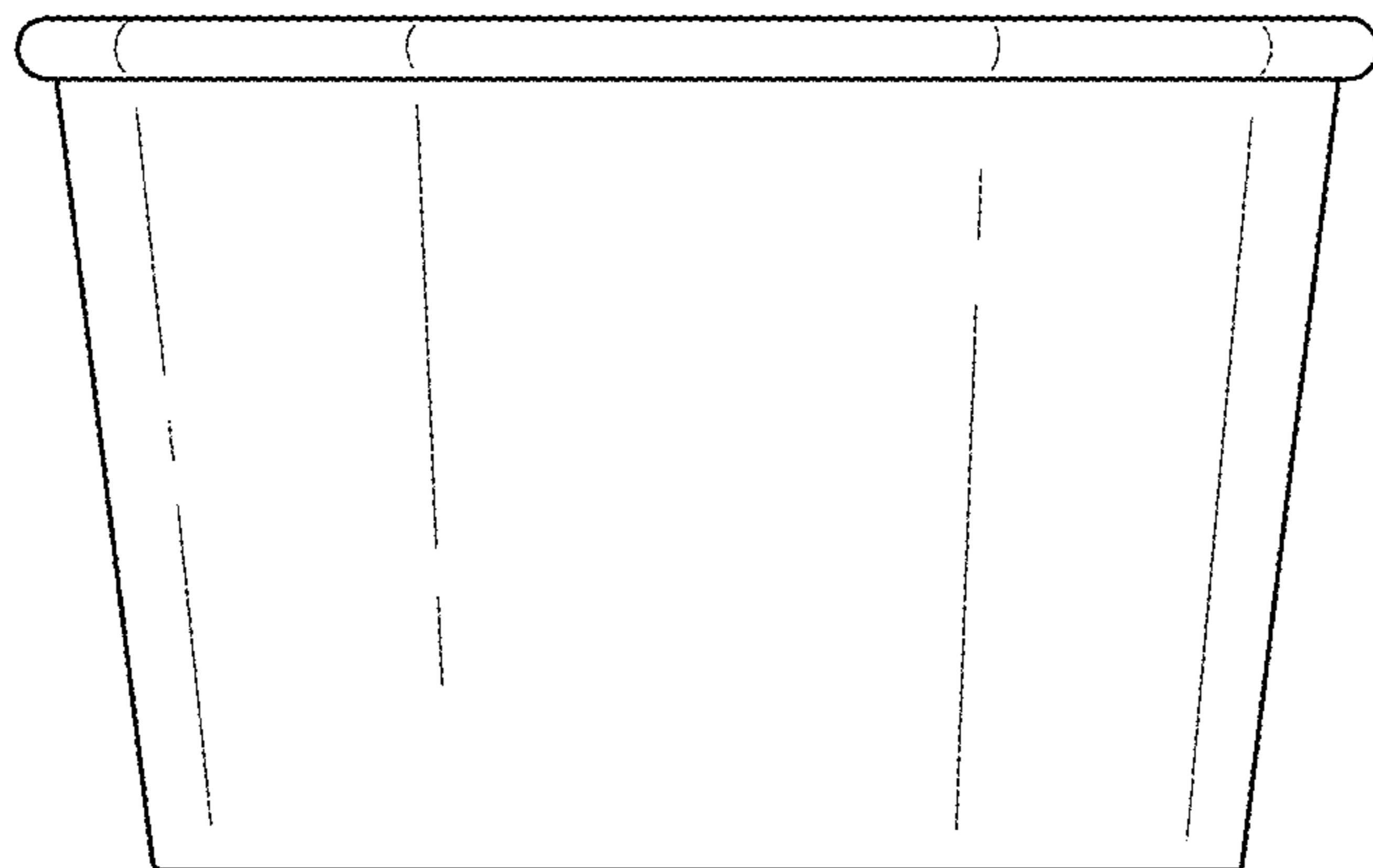


FIG. 15

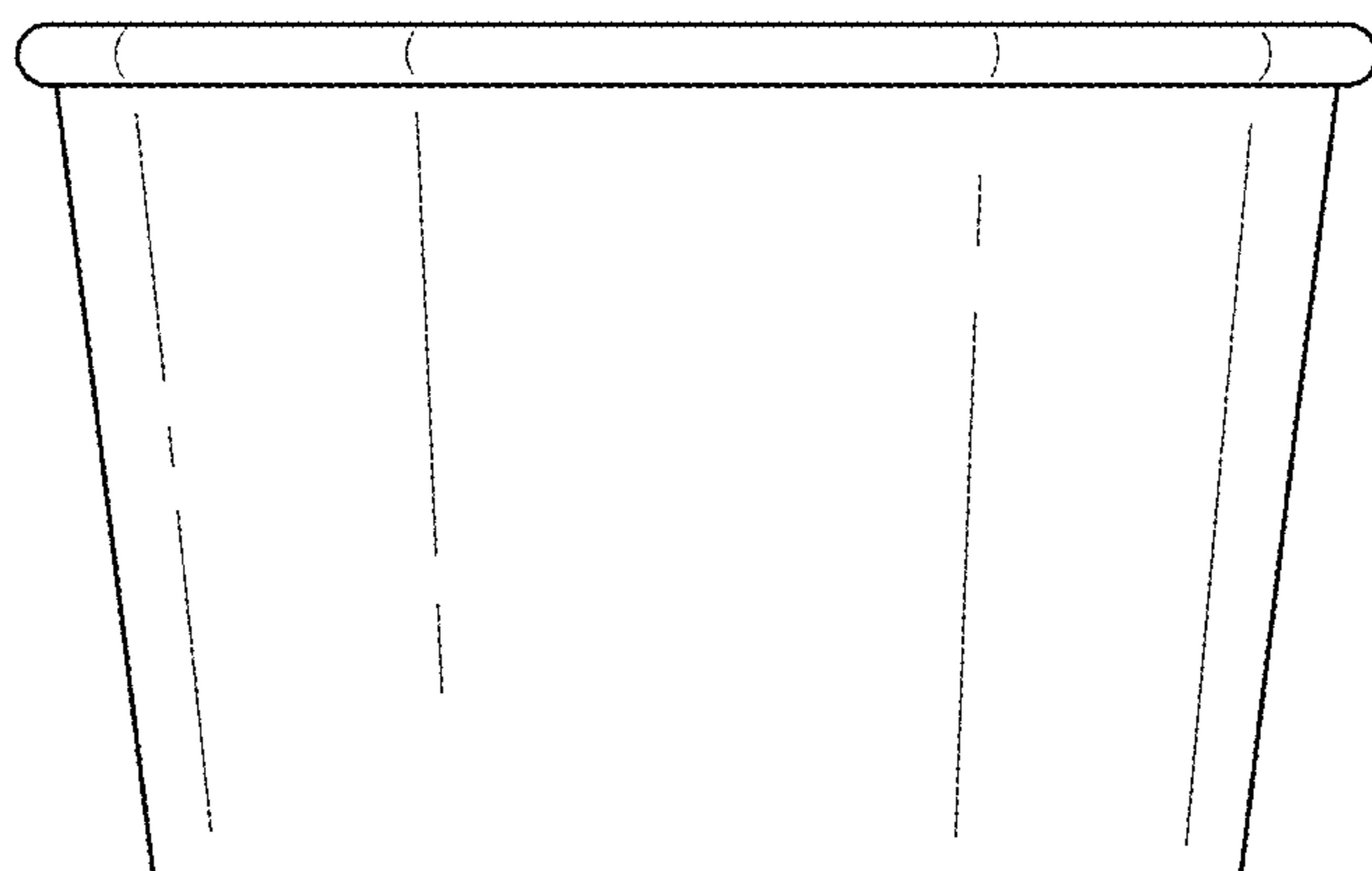


FIG. 16