



US00D963812S

(12) **United States Design Patent**  
**Cherry**

(10) **Patent No.:** **US D963,812 S**

(45) **Date of Patent:** **\*\* \*Sep. 13, 2022**

(54) **SHOWER EXTENSION COUPLER**

(71) Applicant: **Sean Cherry**, Coeur d'Alene, ID (US)

(72) Inventor: **Sean Cherry**, Coeur d'Alene, ID (US)

(\*) Notice: This patent is subject to a terminal disclaimer.

(\*\*) Term: **15 Years**

(21) Appl. No.: **29/682,310**

(22) Filed: **Mar. 4, 2019**

(51) **LOC (13) Cl.** ..... **23-01**

(52) **U.S. Cl.**  
USPC ..... **D23/262; D23/249**

(58) **Field of Classification Search**  
USPC ..... D23/259, 262-263, 265, 233, 249, 264,  
D23/304; D8/349-350, 352, 354, 382,  
D8/394-396; 239/587.2, 587.5, 587.6;  
285/8, 11, 31, 48, 121.5, 148.1, 148.4,  
285/148.2

See application file for complete search history.

(56) **References Cited**

**U.S. PATENT DOCUMENTS**

D34,948 S *	8/1901	Stebbins	.....	D23/249
D258,003 S *	1/1981	Gallagher	.....	D23/263
D478,650 S *	8/2003	Lai	.....	D23/233
D490,498 S *	5/2004	Golichowski	.....	D23/213
D530,789 S *	10/2006	Holmes	.....	D23/249
D606,389 S *	12/2009	Werschmidt	.....	D8/382
8,070,076 B2 *	12/2011	Erickson	.....	F16L 27/087 239/587.2
D669,941 S *	10/2012	Kim	.....	D21/488
8,621,681 B2 *	1/2014	Macan	.....	E03C 1/066 4/615
D699,325 S *	2/2014	Bailey	.....	D23/239

D784,122 S *	4/2017	Grangruth	.....	D8/382
2008/0083844 A1 *	4/2008	Leber	.....	A47K 3/28 239/600
2014/0015246 A1 *	1/2014	Erickson	.....	E03C 1/04 285/184

\* cited by examiner

*Primary Examiner* — Amy C Wierenga

(57) **CLAIM**

I claim the ornamental design for a shower extension coupler, as shown and described.

**DESCRIPTION**

FIG. 1 is a perspective view of a shower extension coupler shown in a position of use with an environmental shower extension arm.

FIG. 2 is a perspective view of the shower extension coupler of FIG. 1.

FIG. 3 is a side elevation view of the shower extension coupler of FIG. 1.

FIG. 4 is an opposite side elevation view of the shower extension coupler of FIG. 3.

FIG. 5 is a top plan view of the shower extension coupler of FIG. 1.

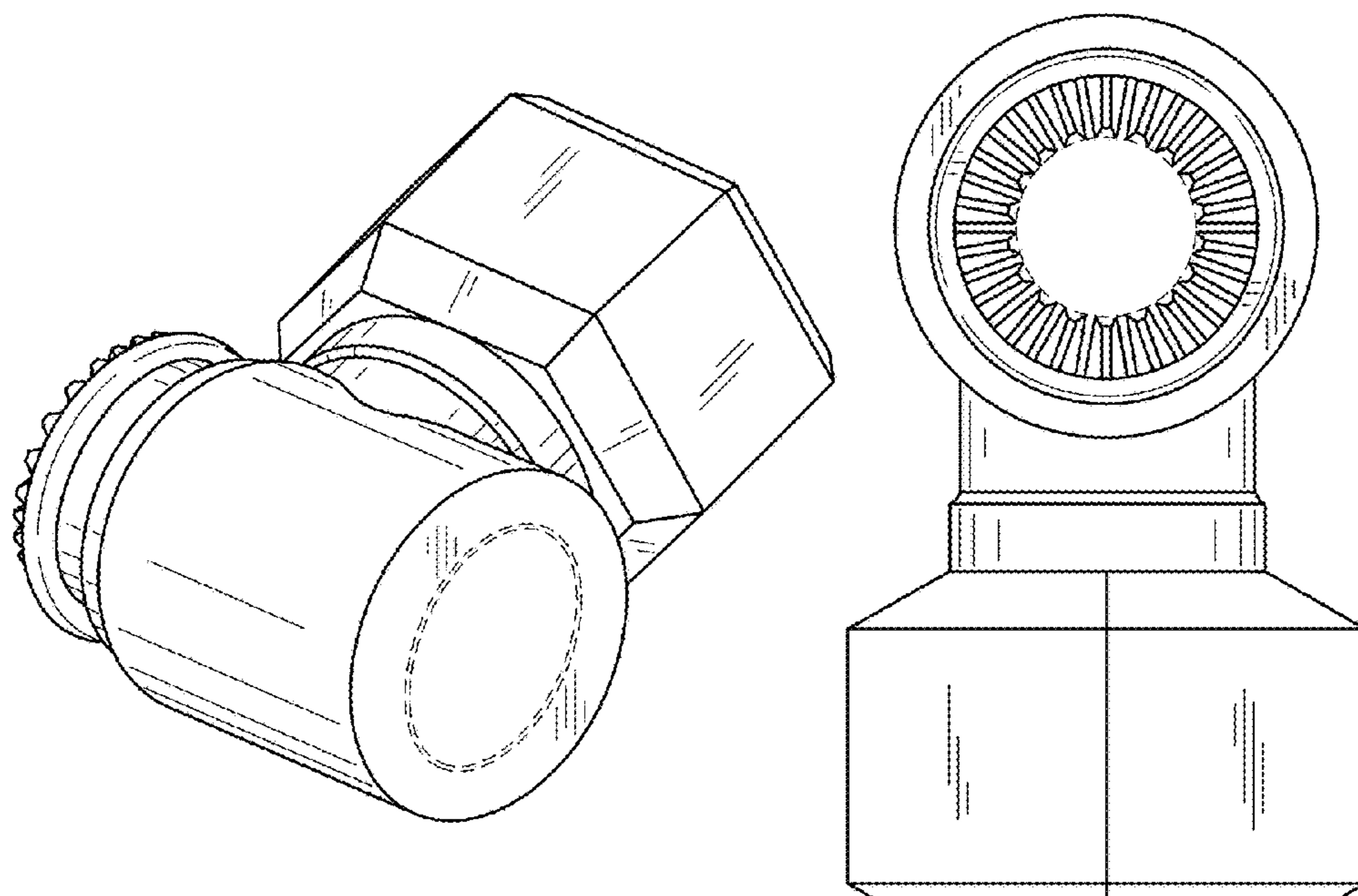
FIG. 6 is a bottom plan view of the shower extension coupler of FIG. 1.

FIG. 7 is a front elevation view of the shower extension coupler of FIG. 1; and,

FIG. 8 is a rear elevation view of the shower extension coupler of FIG. 1.

The broken line disclosure is for illustration purposes only showing environment and forms no part of the claimed design.

**1 Claim, 4 Drawing Sheets**



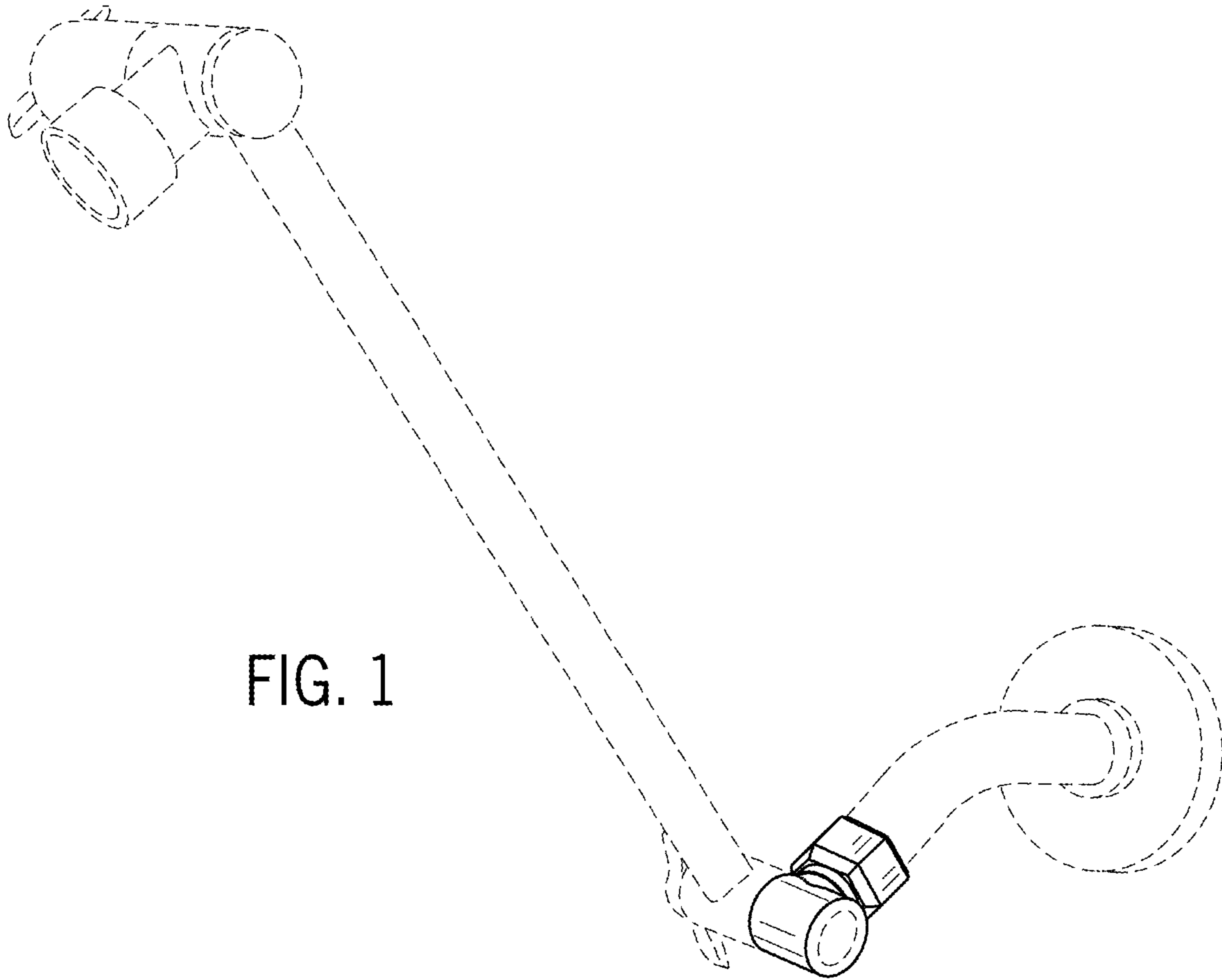


FIG. 1

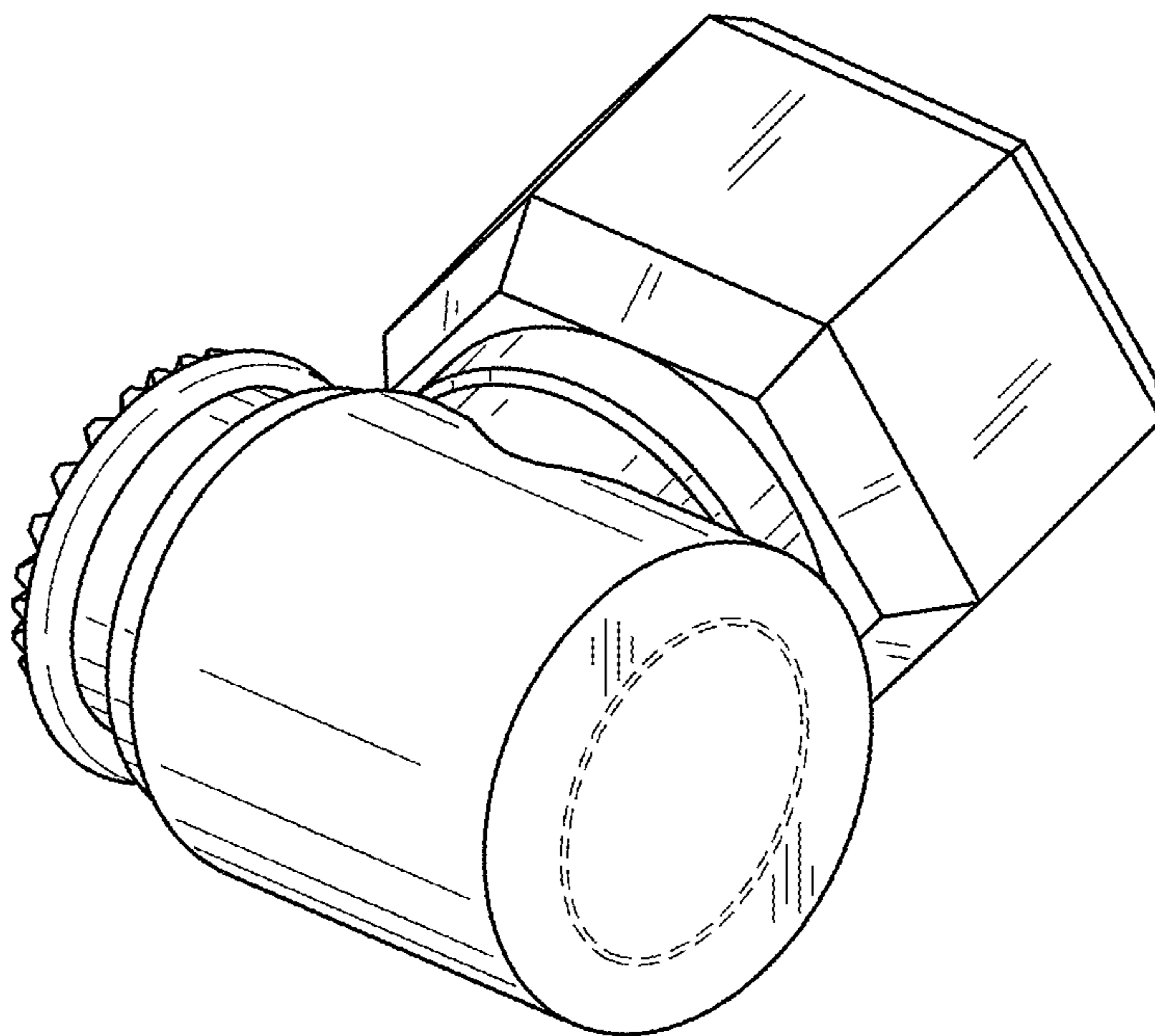


FIG. 2

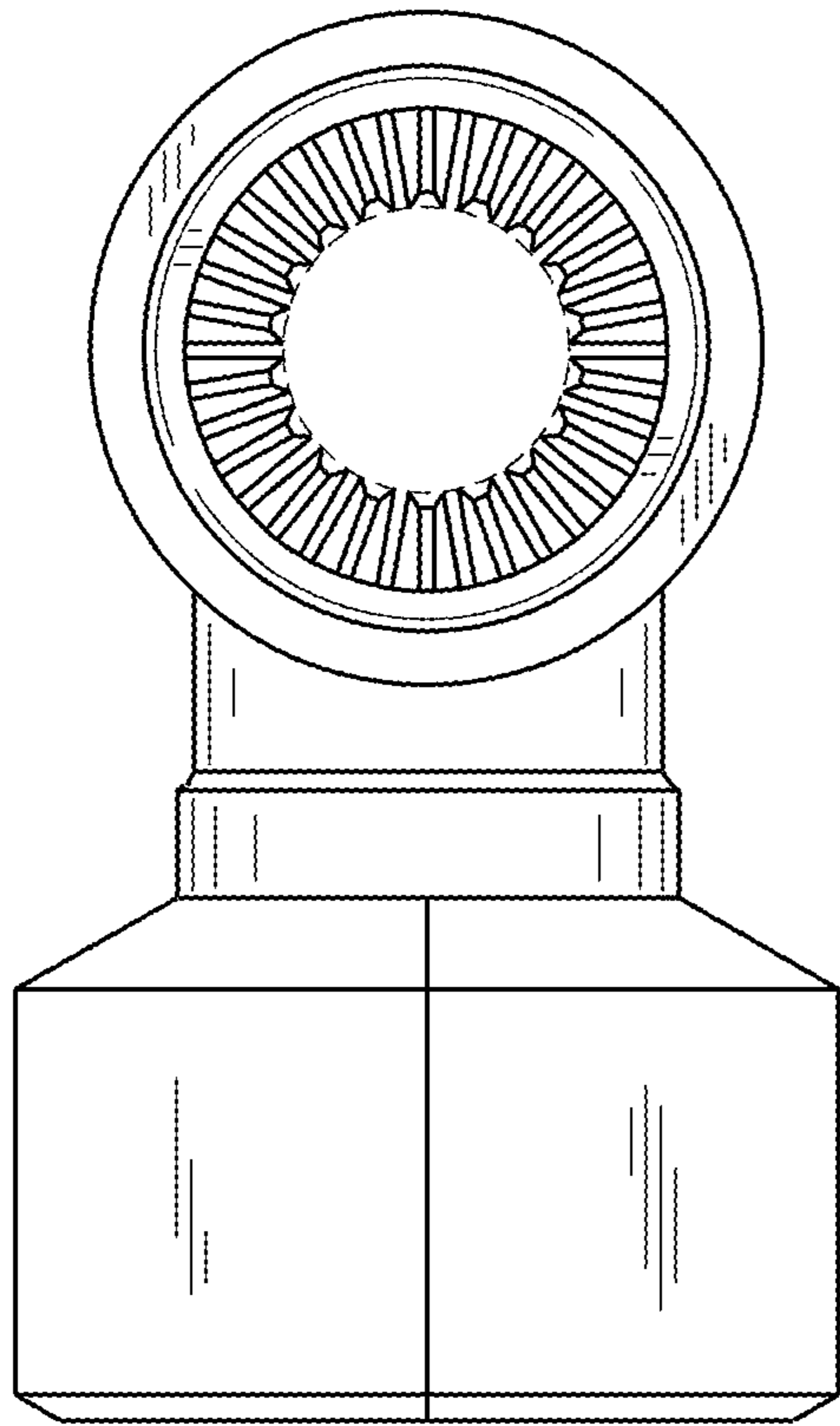


FIG. 3

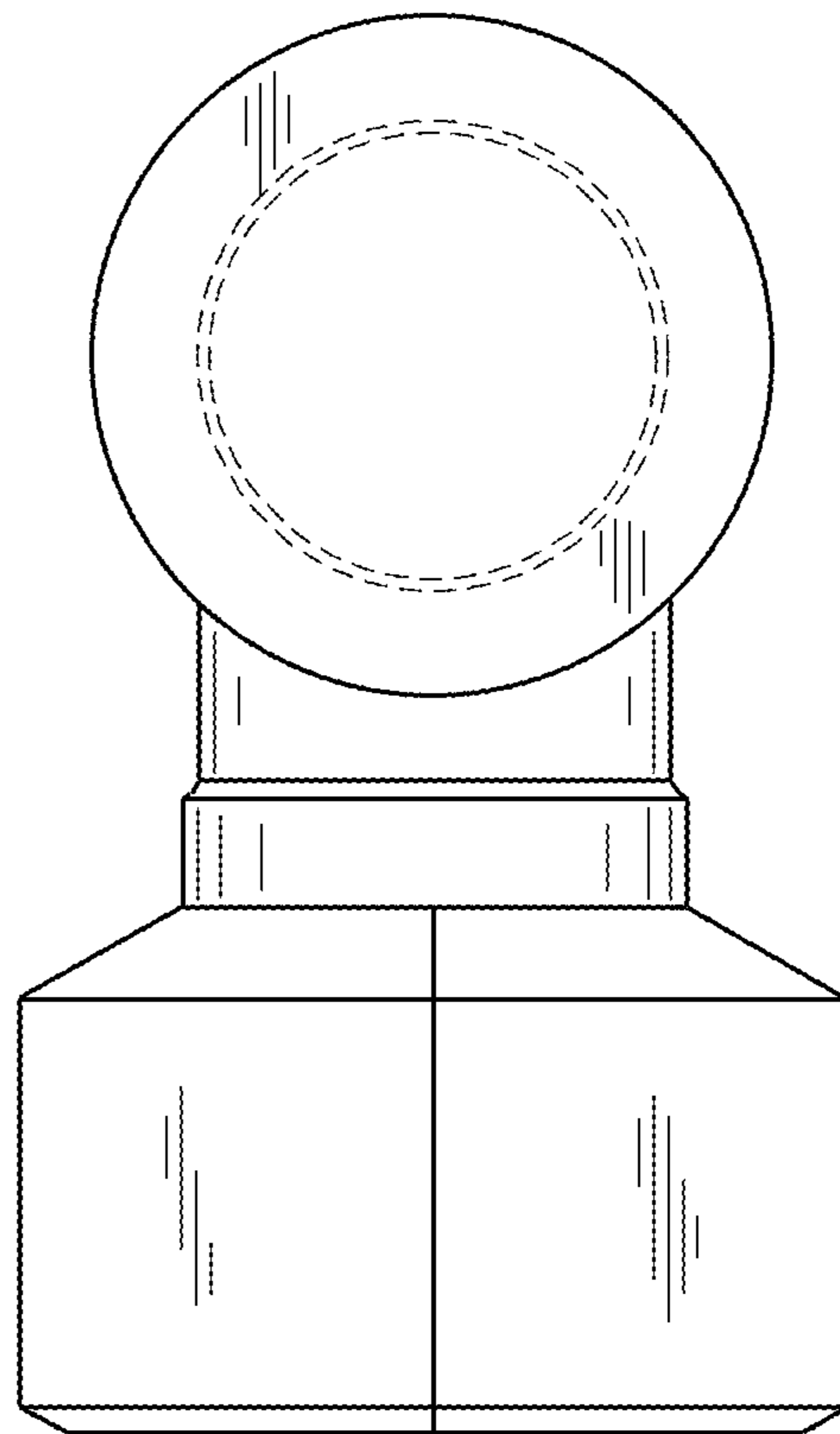


FIG. 4

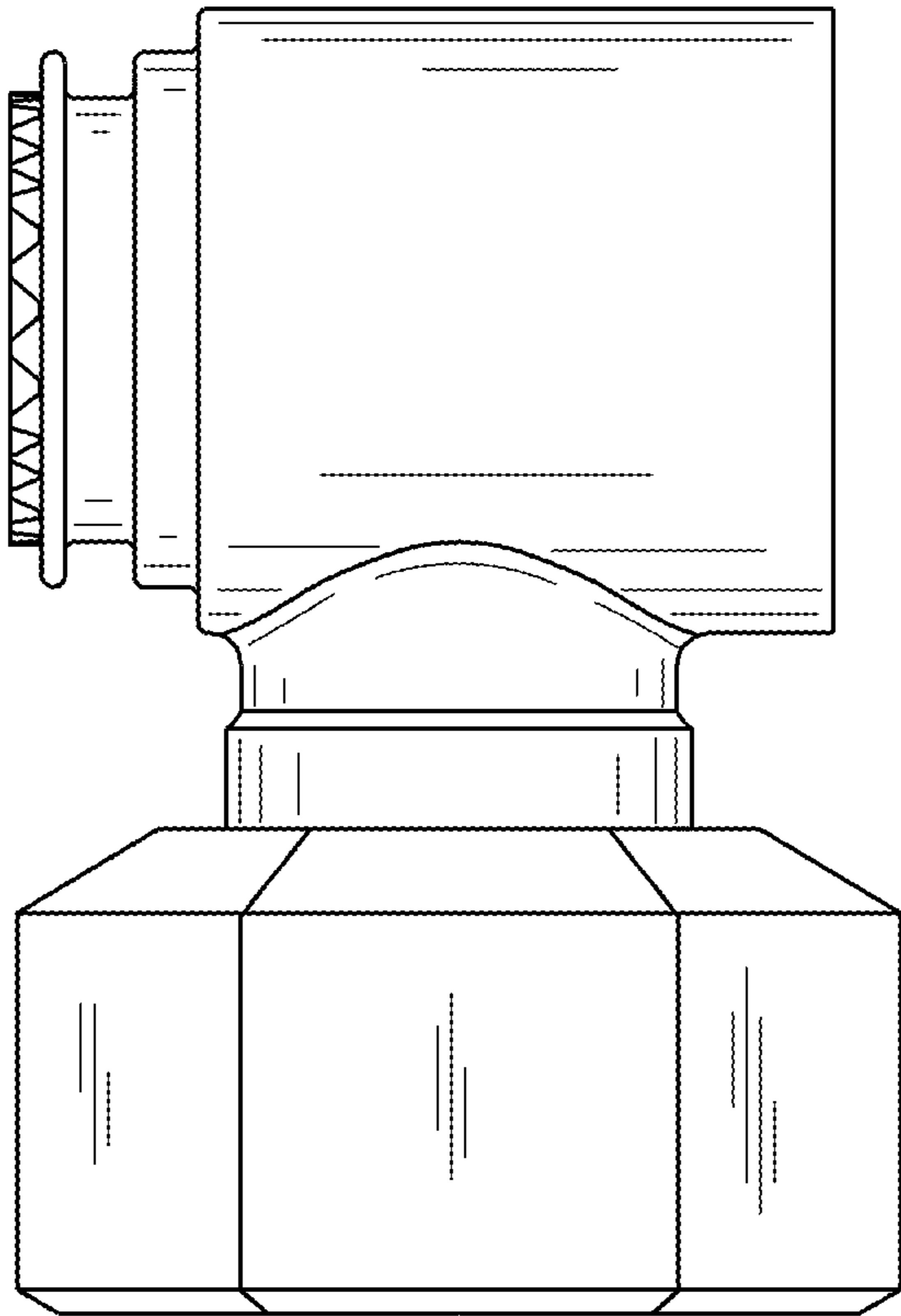


FIG. 5

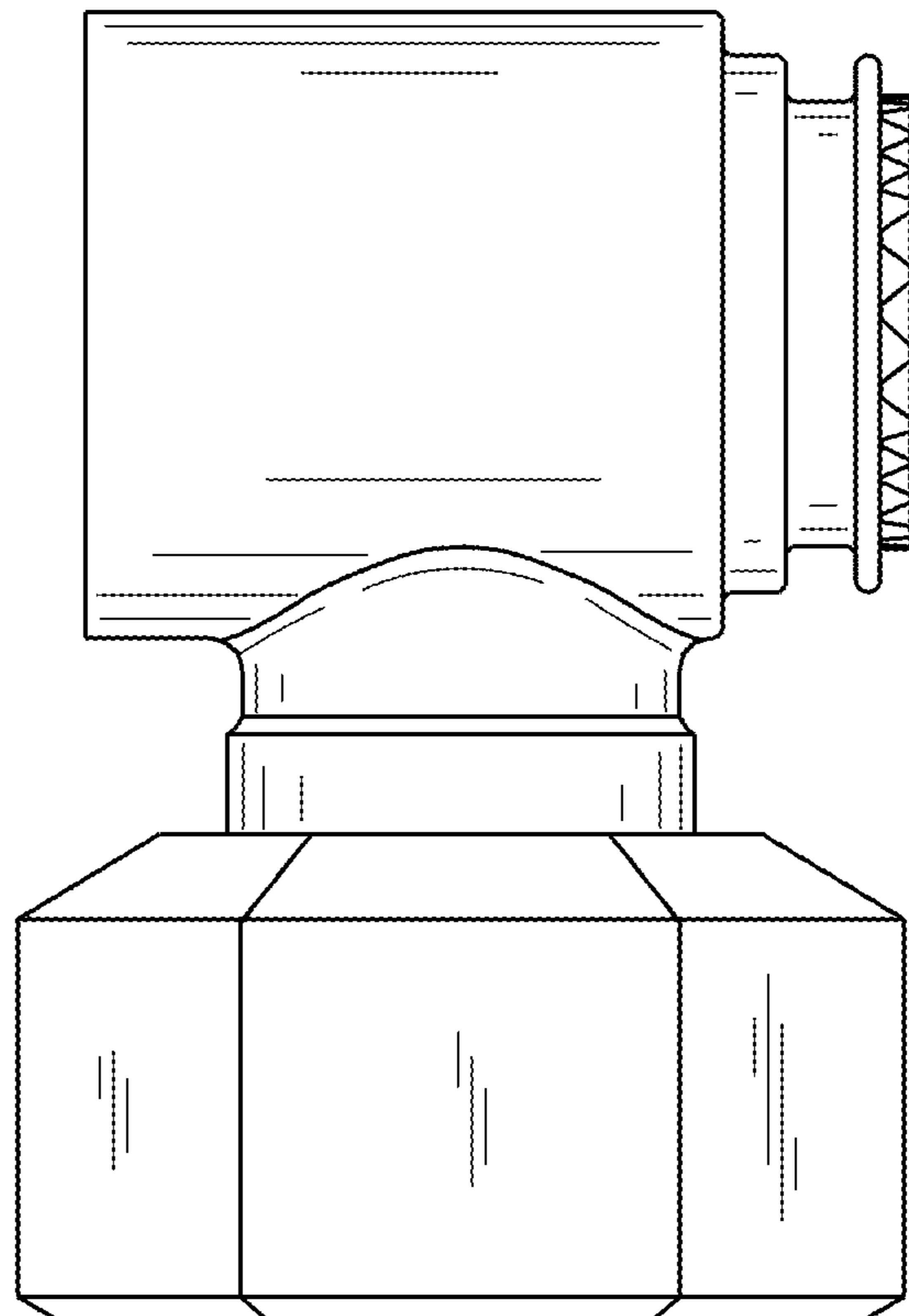


FIG. 6

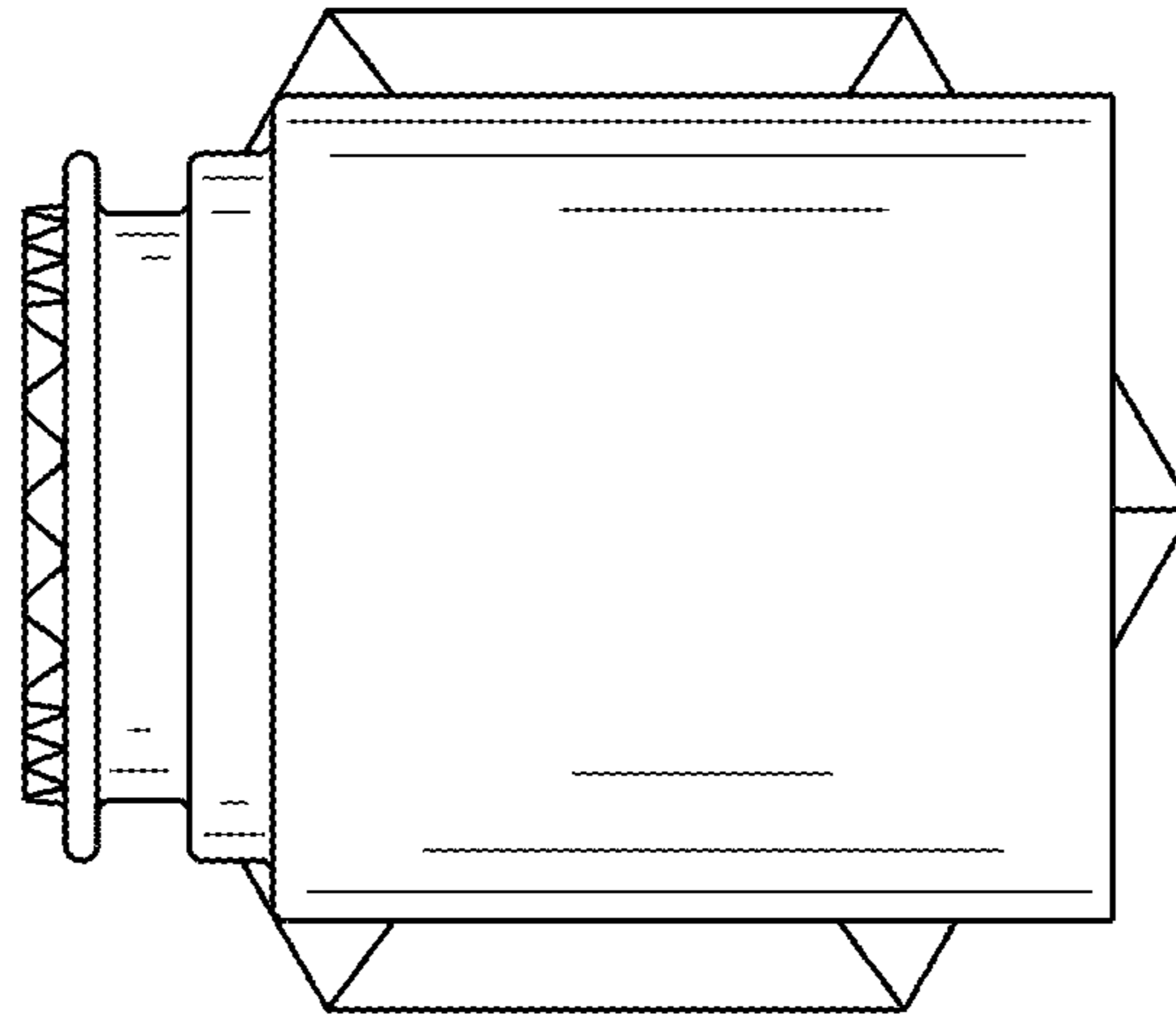


FIG. 7

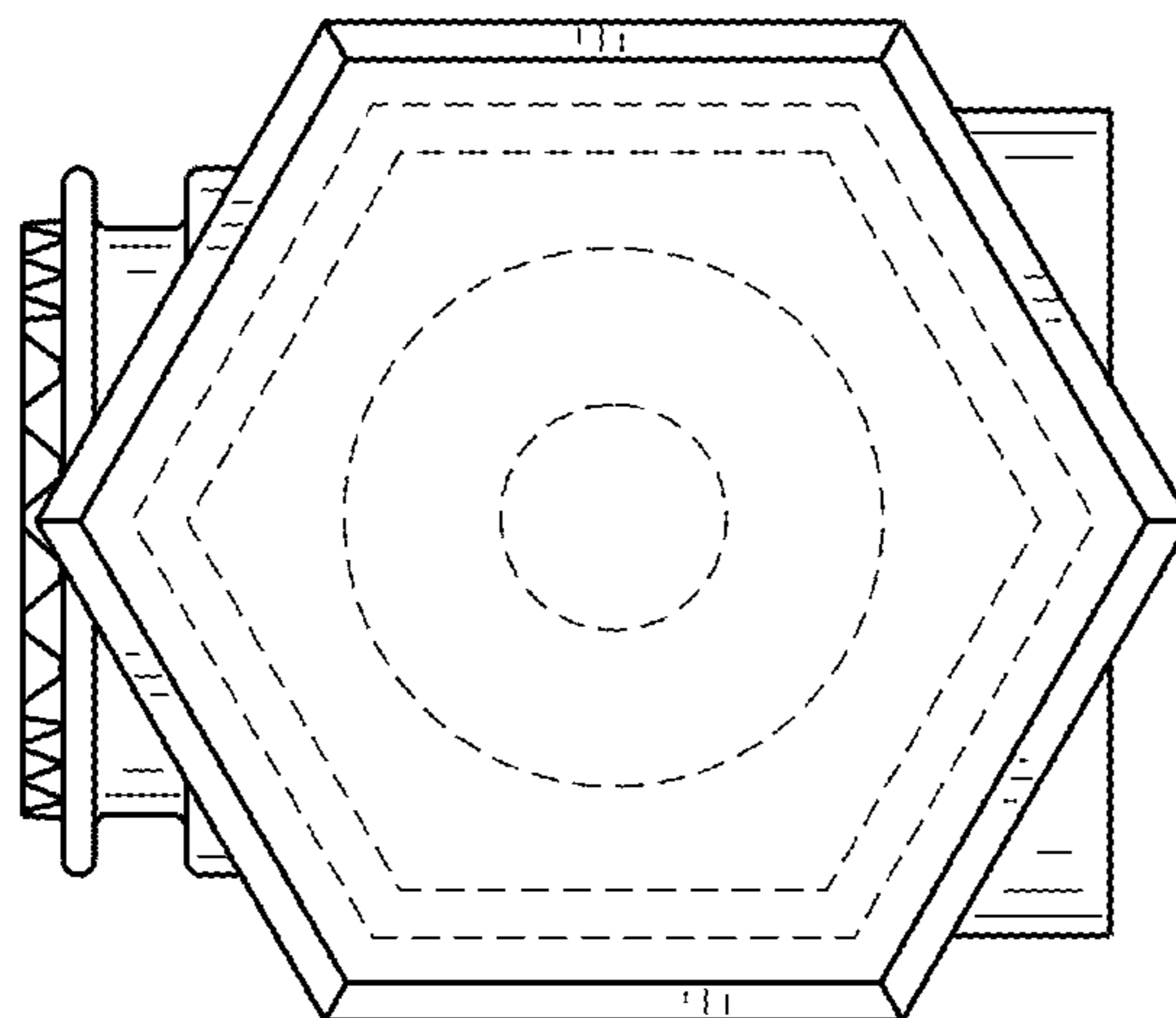


FIG. 8