



US00D963810S

(12) **United States Design Patent**  
**Gupta**

(10) **Patent No.:** **US D963,810 S**

(45) **Date of Patent:** **\*\* Sep. 13, 2022**

(54) **AERATOR**

(71) Applicant: **Tasz, Inc.**, Lenoir, NC (US)

(72) Inventor: **Chakra V. Gupta**, Lenoir, NC (US)

(73) Assignee: **Tasz, Inc.**, Lenoir, NC (US)

(\*\*) Term: **15 Years**

(21) Appl. No.: **29/774,866**

(22) Filed: **Mar. 19, 2021**

(51) **LOC (13) Cl.** ..... **23-01**

(52) **U.S. Cl.**

USPC ..... **D23/258**; D23/237

(58) **Field of Classification Search**

USPC ..... D23/209, 210, 213, 214, 215, 223, 224,  
D23/226, 229, 230, 235-237, 258

CPC ..... A61H 9/0021; A61H 33/00; B05B 1/00;  
B05B 1/14; B05B 1/185; B05B 1/08;  
B05B 1/02; B05B 1/26; B05B 12/002;  
B05B 1/18; B05B 9/01; F16K 15/048;  
F16K 15/04; Y10T 137/791; Y10T  
137/7918

See application file for complete search history.

(56) **References Cited**

**U.S. PATENT DOCUMENTS**

D139,830 S \* 12/1944 Pool ..... D23/258  
D364,210 S \* 11/1995 Loerop ..... D23/237  
5,593,292 A \* 1/1997 Ivey ..... F04B 53/1007  
137/533.15  
6,685,451 B1 \* 2/2004 Ivey ..... F04B 47/02  
137/533.19  
9,719,604 B2 \* 8/2017 Christensen ..... F16K 17/0406  
10,100,940 B2 \* 10/2018 Canatella ..... F16K 15/04

10,550,950 B2 \* 2/2020 Bair ..... E21B 34/06  
D904,557 S \* 12/2020 Botos ..... D23/209  
2002/0041049 A1 \* 4/2002 McCullough ..... B29C 48/15  
264/136  
2006/0201557 A1 \* 9/2006 Shieh ..... F16K 15/04  
137/533.11  
2021/0094005 A1 \* 4/2021 Gupta ..... B01F 25/431

**OTHER PUBLICATIONS**

[https://www.amazon.com/T-H-Marine-Flow-Max-Scupper/dp/B000XBH4/ref=sr\\_1\\_28?dchild=1&keywords=clear+ball+check+valve&qid=1610493125&sr=8-28](https://www.amazon.com/T-H-Marine-Flow-Max-Scupper/dp/B000XBH4/ref=sr_1_28?dchild=1&keywords=clear+ball+check+valve&qid=1610493125&sr=8-28) (Year: 2001).\*

Danco Dual T BN Faucet Aerator, Brushed Nickel, Jan. 16, 2007, amazon.com, Jun. 3, 2022, URL: <https://www.amazon.com/dp/B00B1RQLB8/> (Year: 2007).\*

Moen 116618BN Aerator, Brushed Nickel, Feb. 27, 2009, amazon.com, Jun. 3, 2022, URL: <https://www.amazon.com/Moen-116618BN-Aerator/dp/B002KELTIG/> (Year: 2009).\*

\* cited by examiner

*Primary Examiner* — Keith J Wilson

(74) *Attorney, Agent, or Firm* — Rimon, P.C.

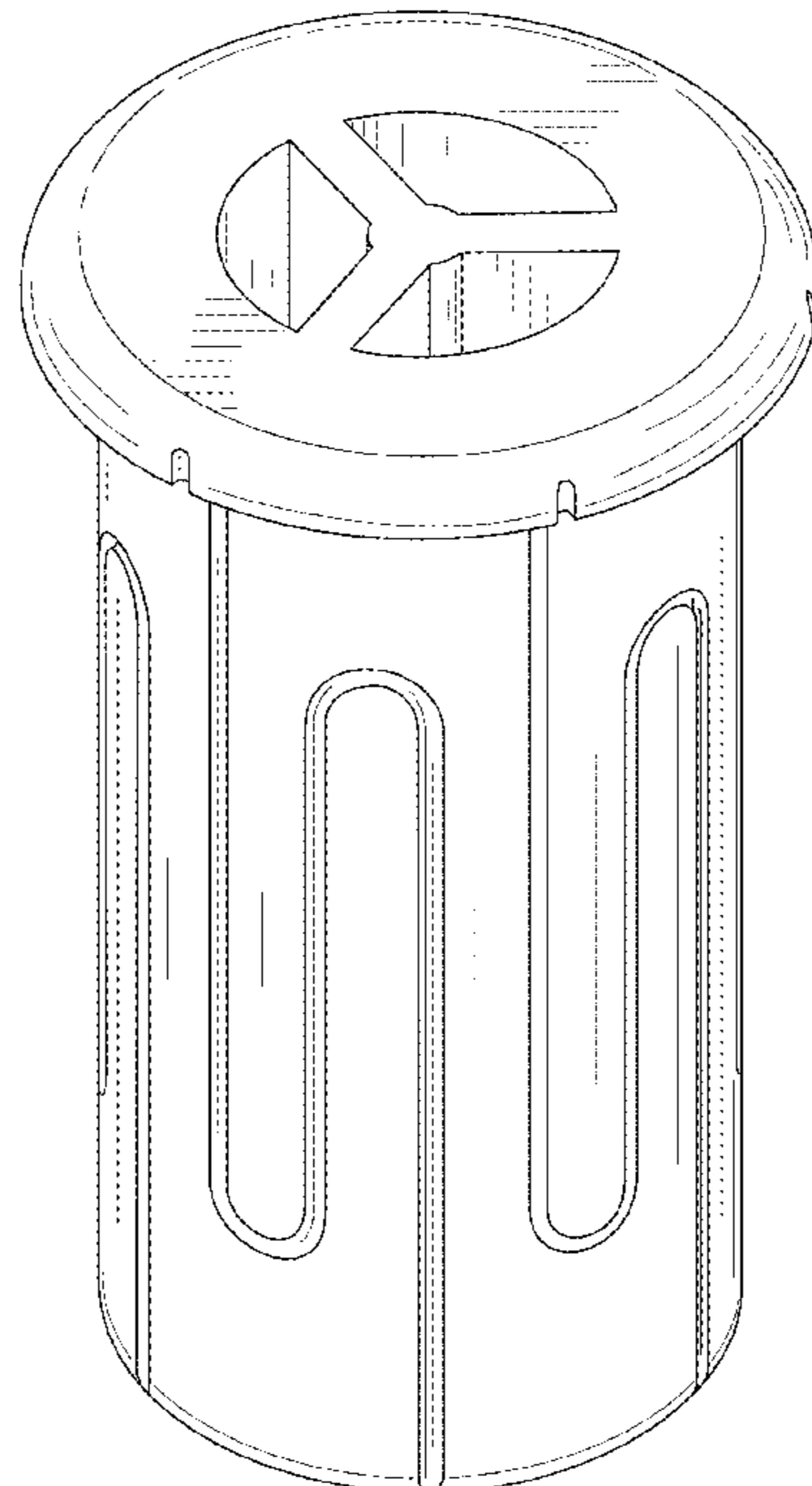
(57) **CLAIM**

The ornamental design for a aerator, as shown and described.

**DESCRIPTION**

FIG. 1 is a perspective top view of the aerator;  
FIG. 2 is a perspective bottom view of the aerator;  
FIG. 3 is a side view of the aerator;  
FIG. 4 is a top view of the aerator; and,  
FIG. 5 is a bottom view of the aerator.

**1 Claim, 4 Drawing Sheets**



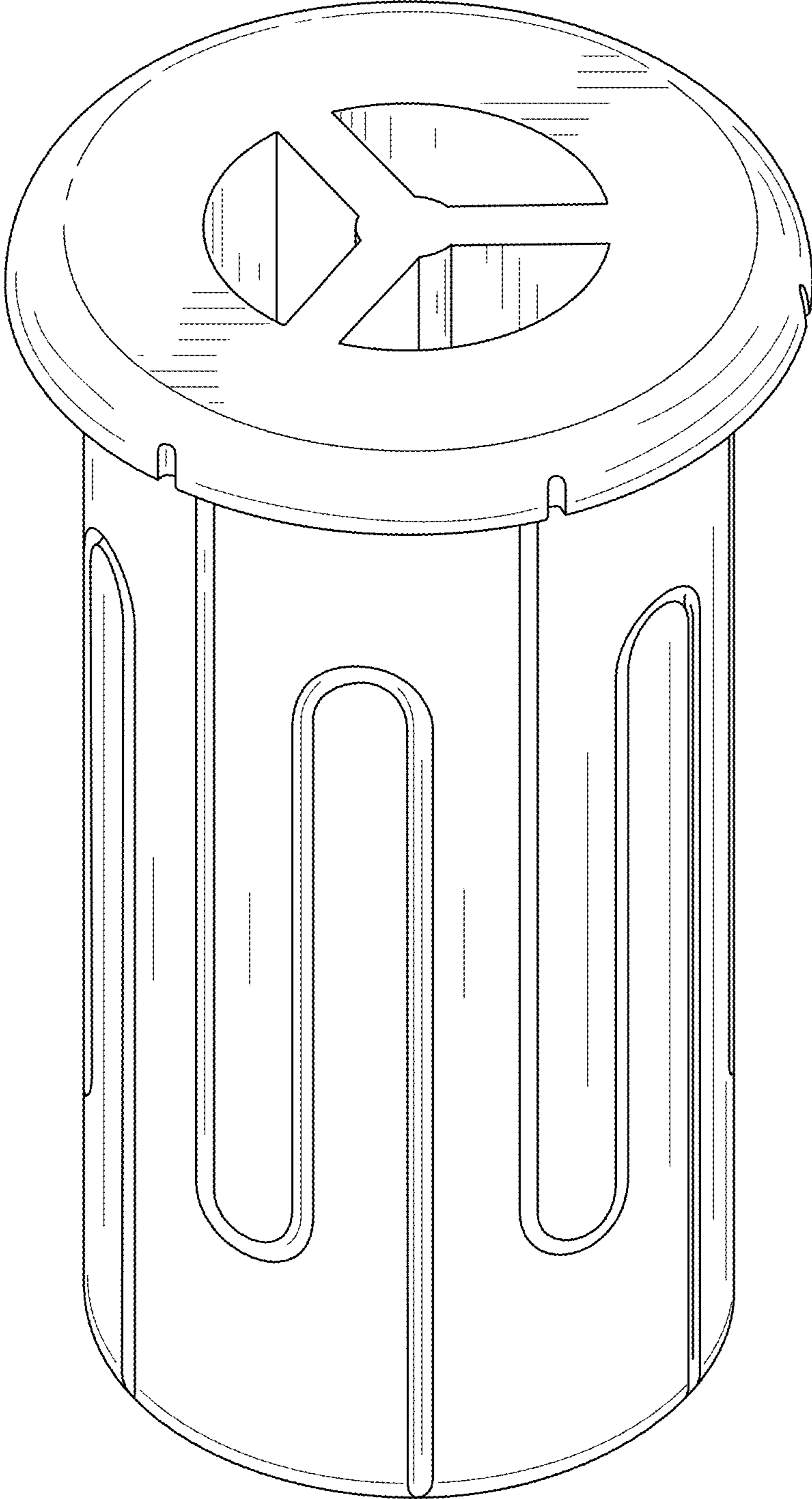


FIG. 1

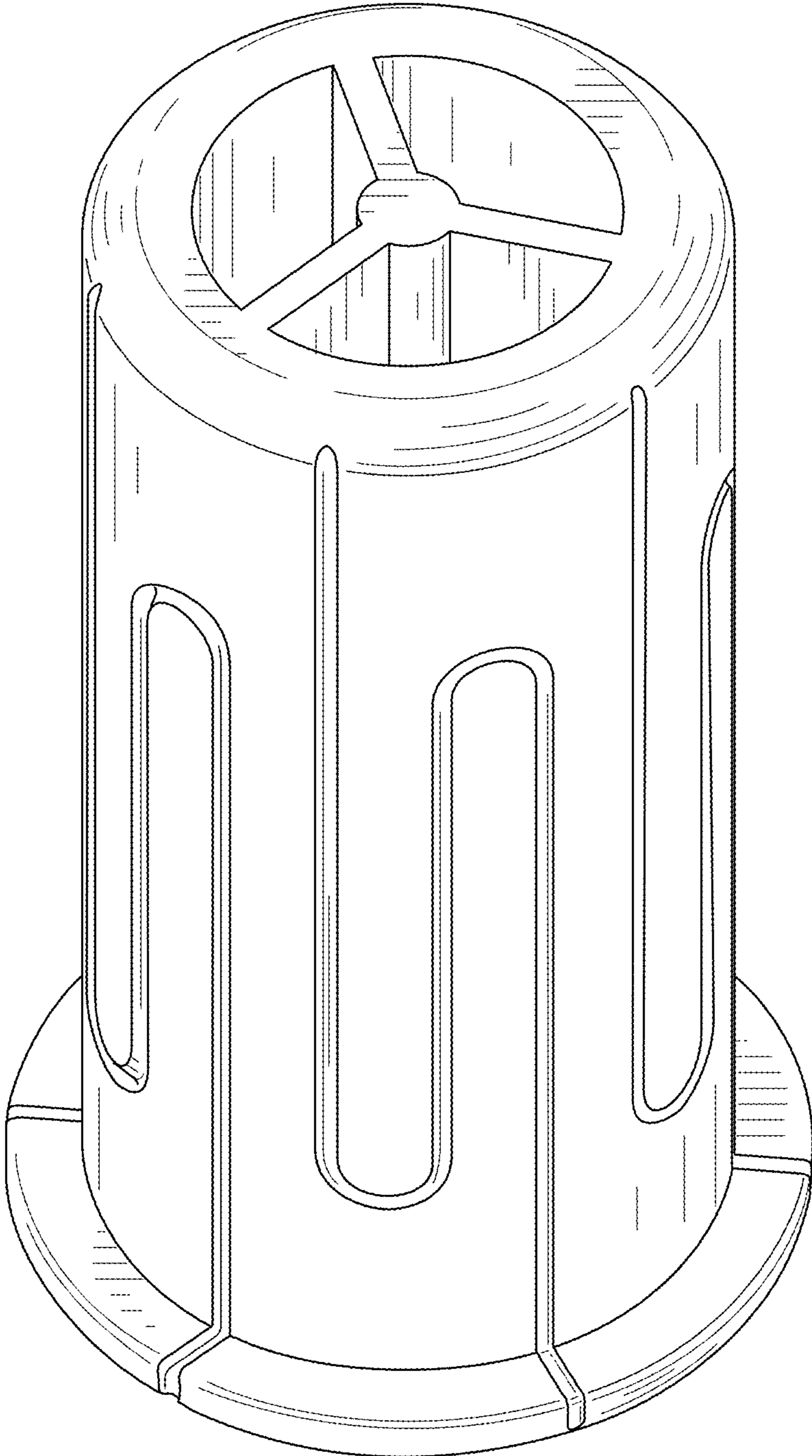


FIG. 2

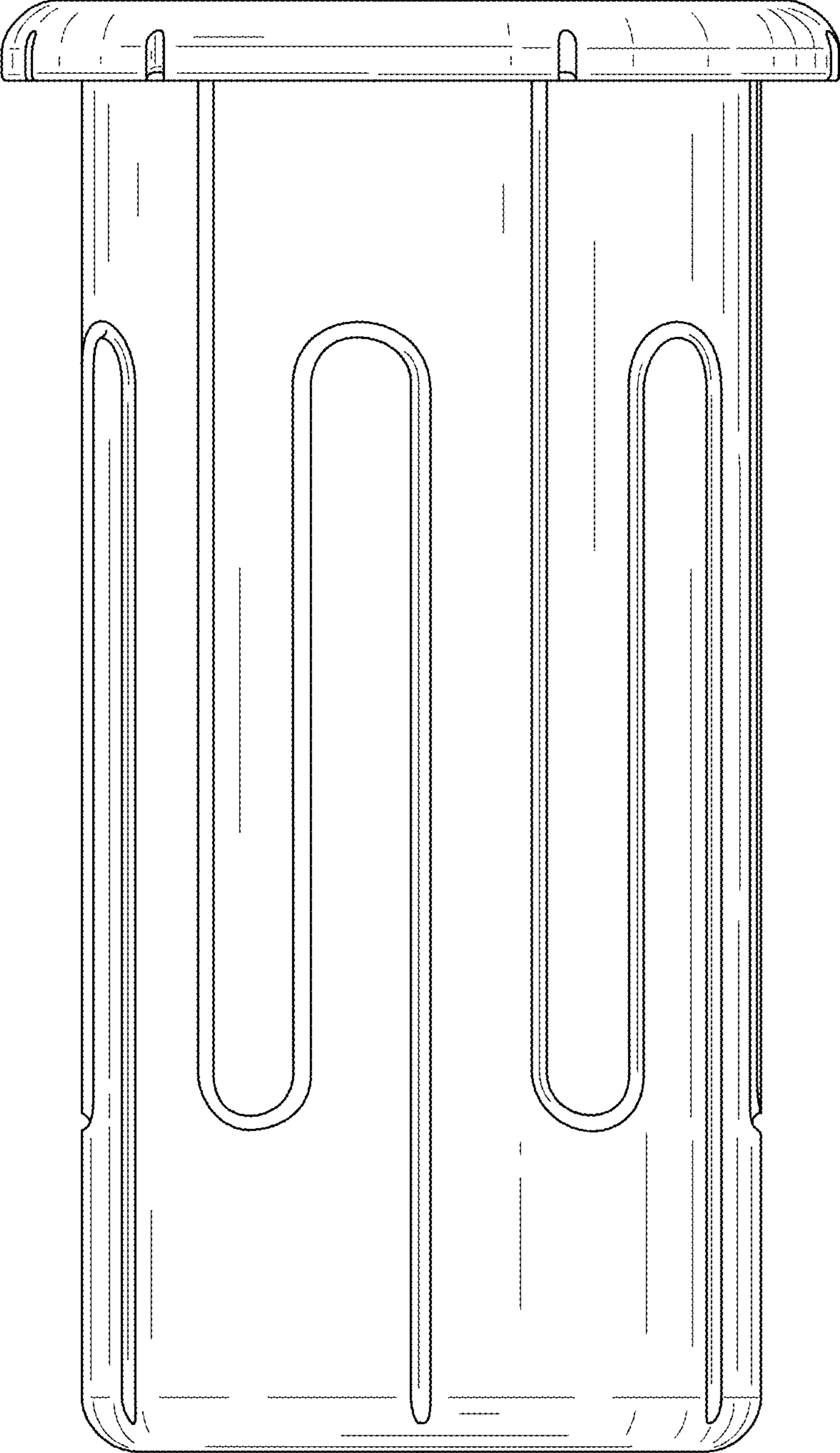


FIG. 3

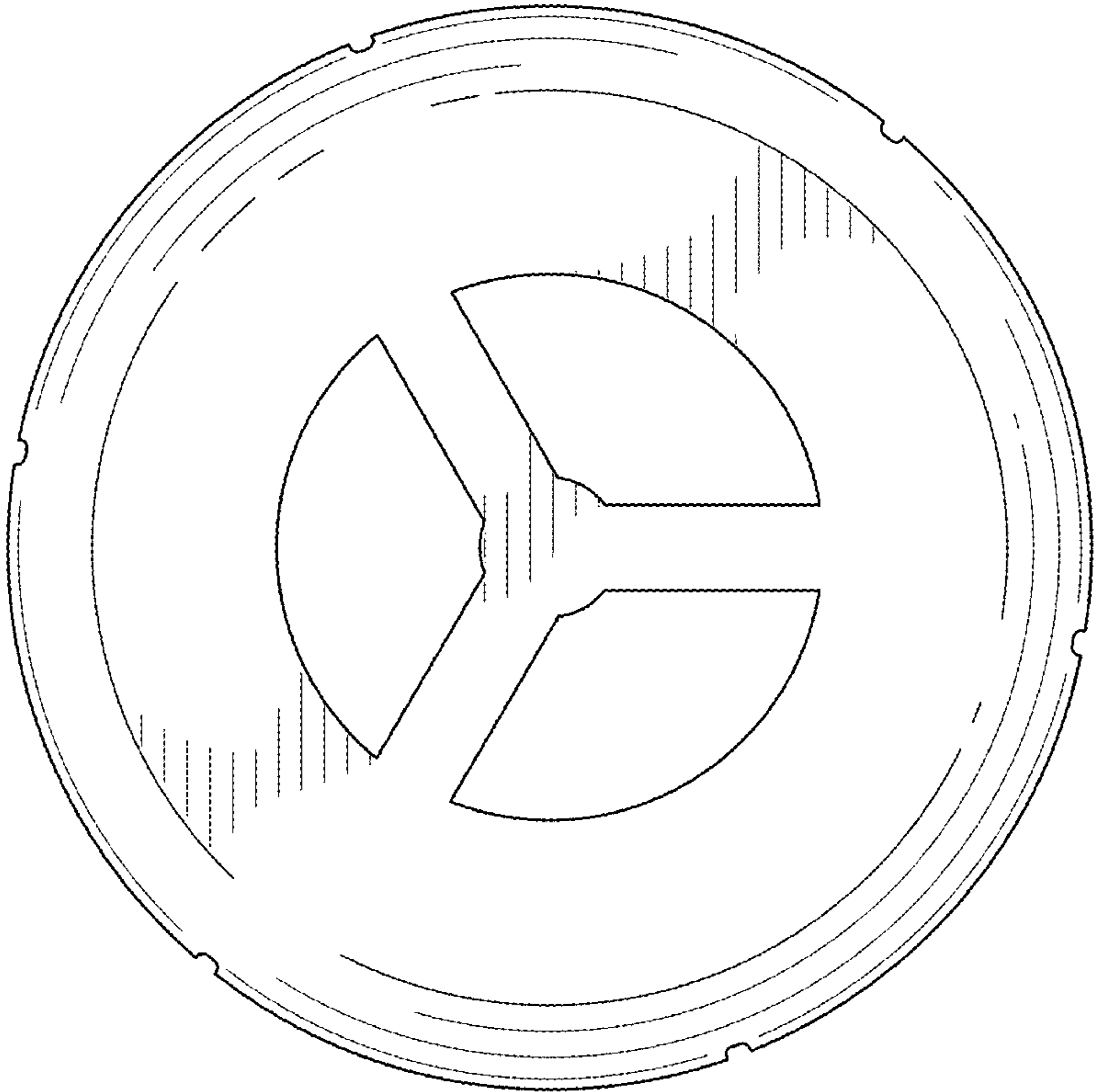


FIG. 4

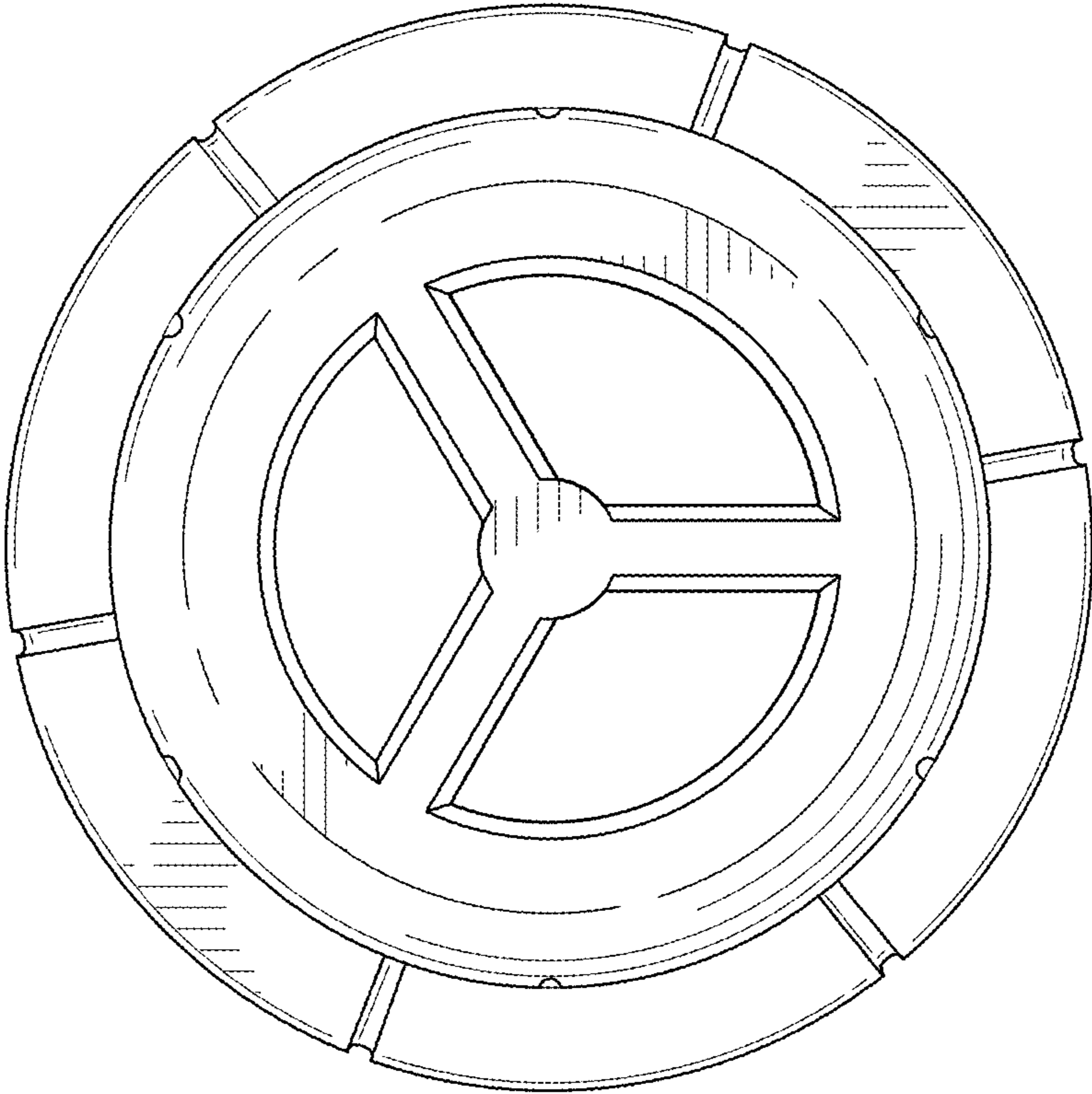


FIG. 5