



US00D963809S

(12) **United States Design Patent**
Feng

(10) **Patent No.:** **US D963,809 S**

(45) **Date of Patent:** **** Sep. 13, 2022**

(54) **FAUCET**

(71) Applicant: **Yadong Feng**, Suzhou (CN)

(72) Inventor: **Yadong Feng**, Suzhou (CN)

(**) Term: **15 Years**

(21) Appl. No.: **29/864,477**

(22) Filed: **May 31, 2022**

(51) **LOC (13) Cl.** **23-01**

(52) **U.S. Cl.**
USPC **D23/255**

(58) **Field of Classification Search**
USPC D23/238-243, 255, 257
See application file for complete search history.

(56) **References Cited**

U.S. PATENT DOCUMENTS

D769,418 S	10/2016	Eads	
D839,998 S *	2/2019	Chen	D23/255
D855,768 S	8/2019	Eads	
D861,137 S *	9/2019	Chen	D23/255
D861,138 S *	9/2019	Chen	D23/255
D873,962 S *	1/2020	Fang	D23/238
D956,183 S *	6/2022	Yan	D23/238

OTHER PUBLICATIONS

Walmart: Bathfinesse Bathroom Faucet Farmhouse. <https://www.walmart.com/ip/Bathroom-Faucets-Sink-3-Hole-Widespread-Faucet-8-Inch-Waterfall-Brushed-Nickel-Two-Handle-High-Arc-Farmhouse-Vanity-Lavatory-Commercial-Supply-Hose-L/904655388> (Year: 2022).*

* cited by examiner

Primary Examiner — Robert A Delehanty

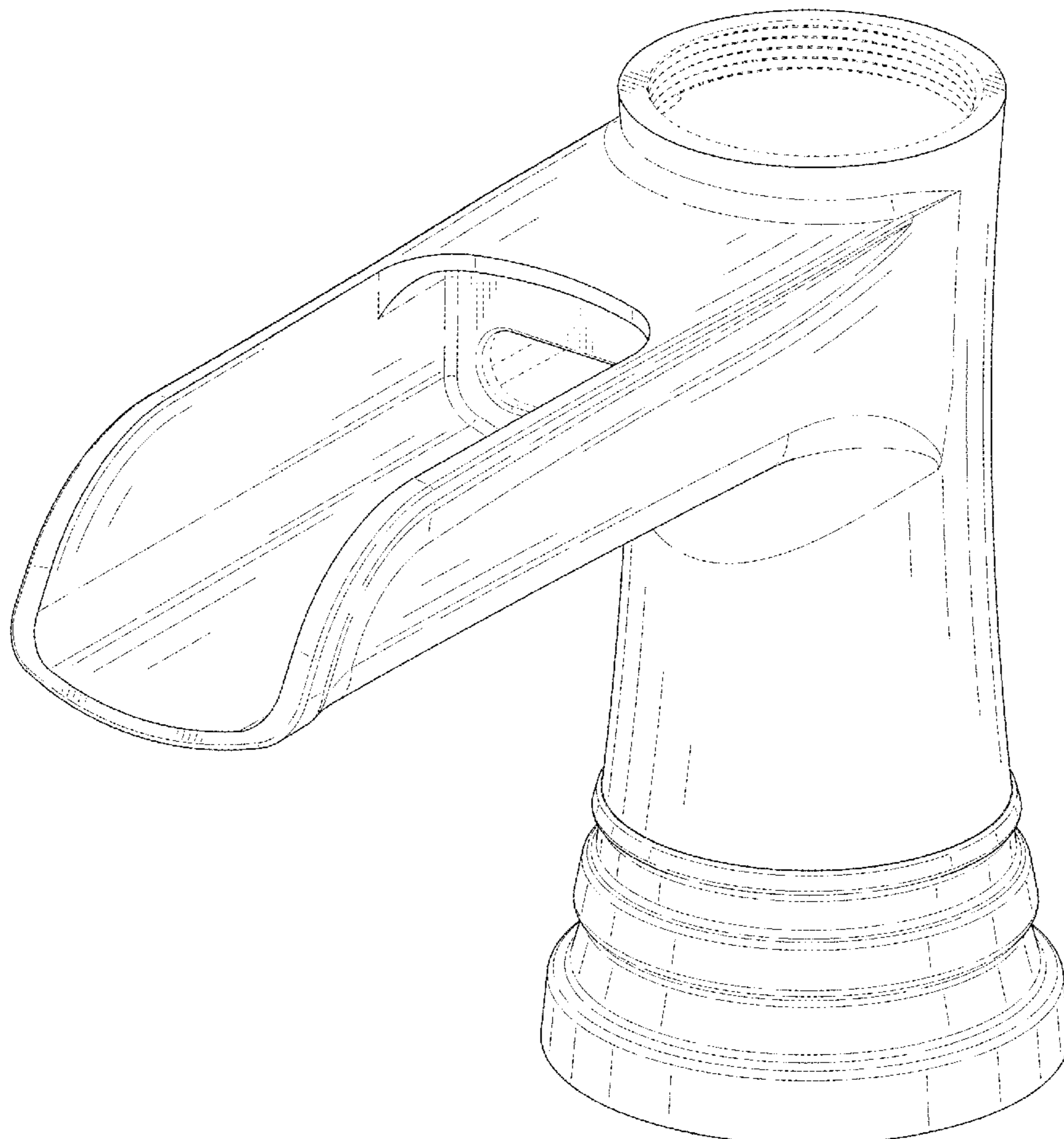
(57) **CLAIM**

The ornamental design for a faucet, as shown and described.

DESCRIPTION

FIG. 1 is a perspective view of a faucet showing my new design;
FIG. 2 is another perspective view thereof;
FIG. 3 is a front elevational view thereof;
FIG. 4 is a rear elevational view thereof;
FIG. 5 is a left side elevational view thereof;
FIG. 6 is a right side elevational view thereof;
FIG. 7 is a top plan view thereof; and,
FIG. 8 is a bottom plan view thereof.
The broken lines in the drawings depict portions of the faucet that form no part of the claimed design.

1 Claim, 8 Drawing Sheets



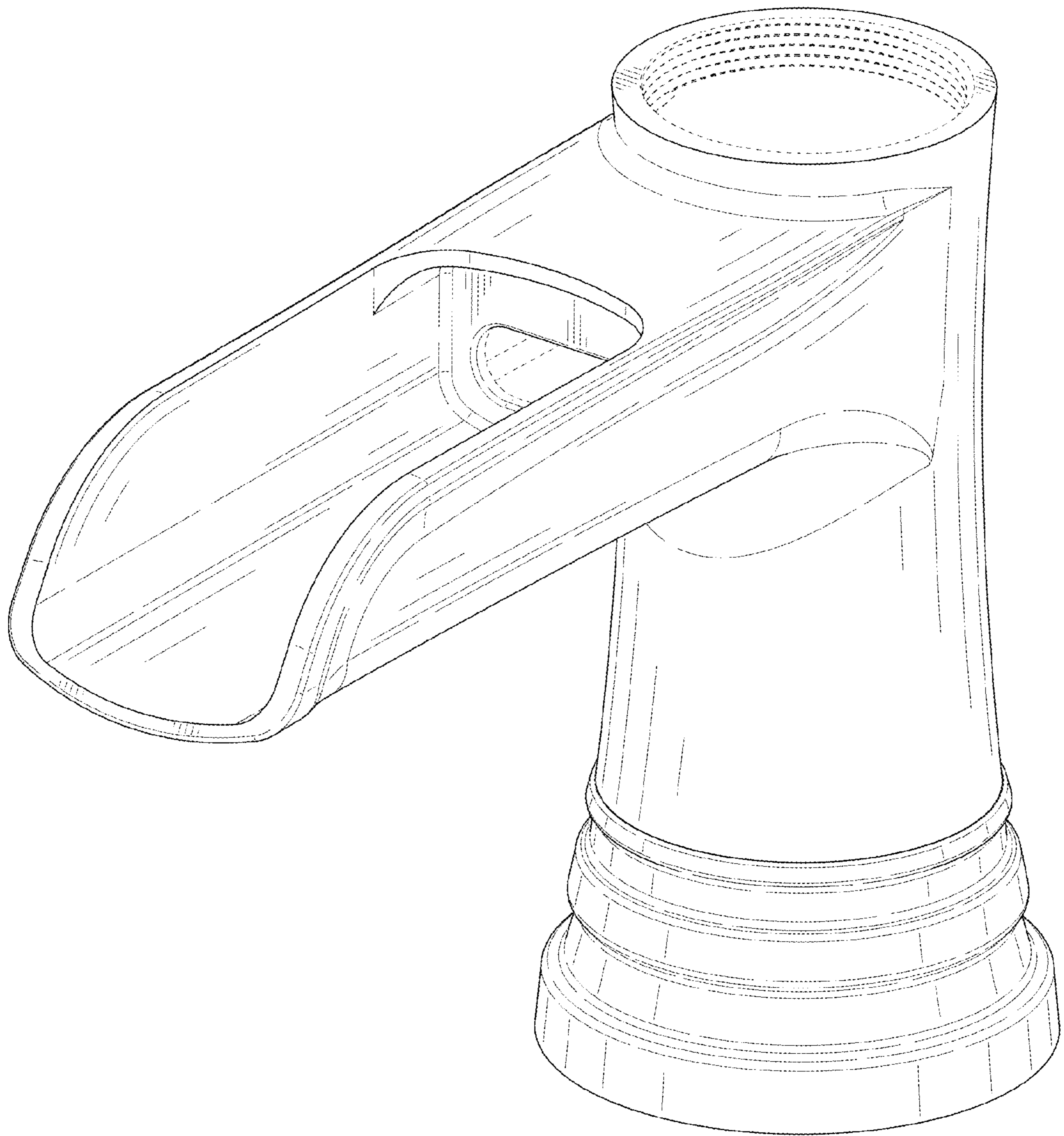


FIG. 1

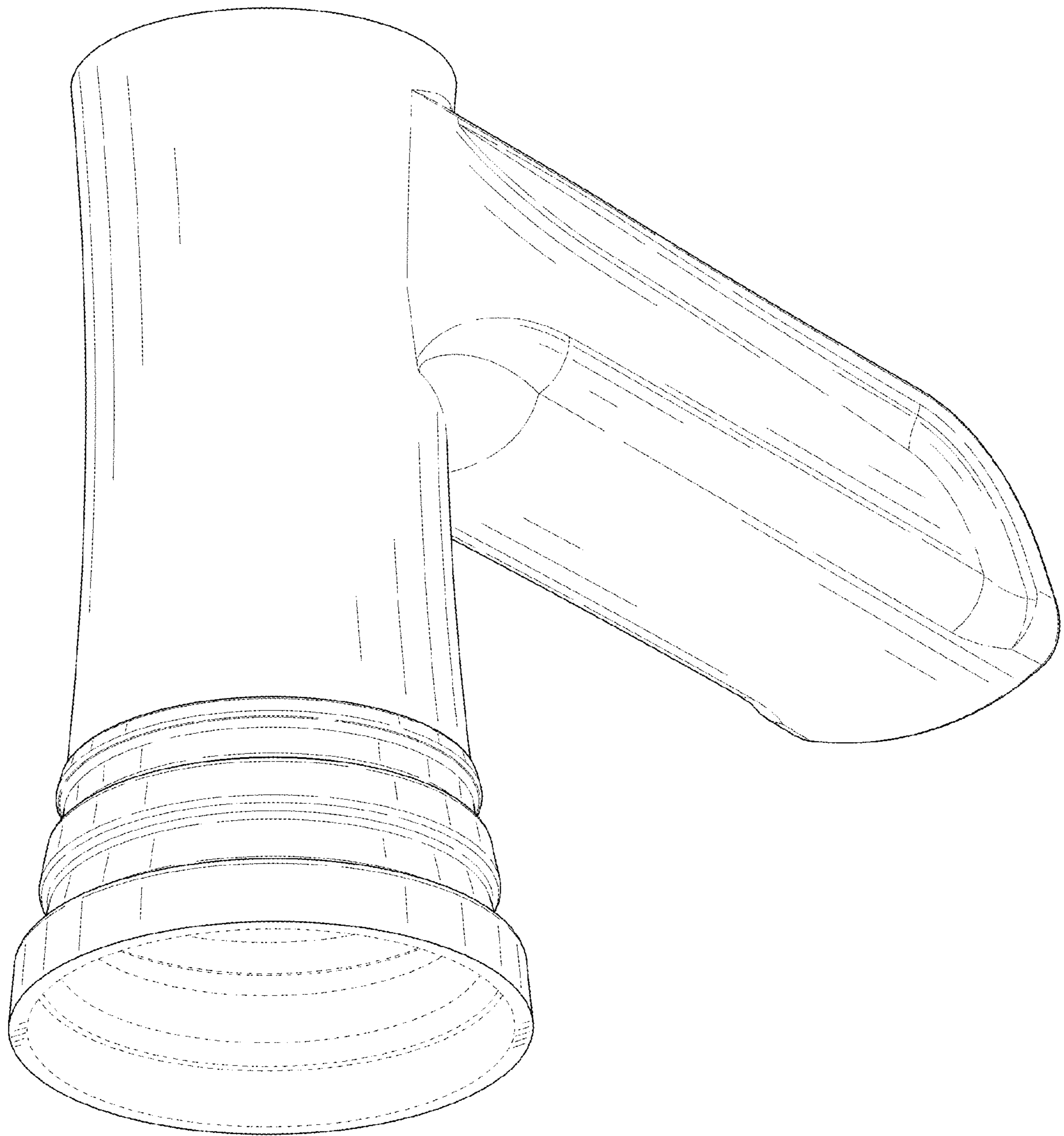


FIG. 2

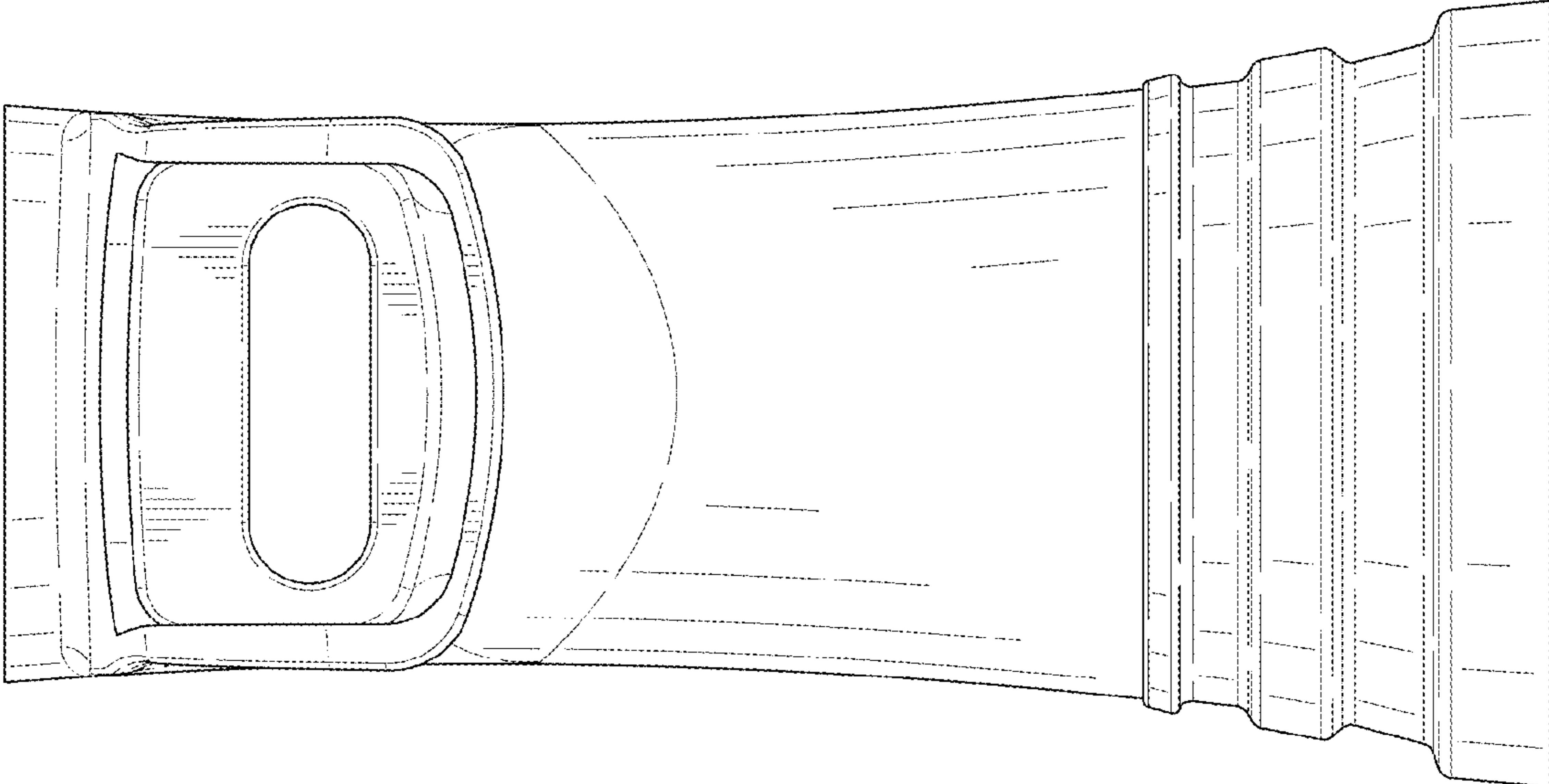


FIG. 3

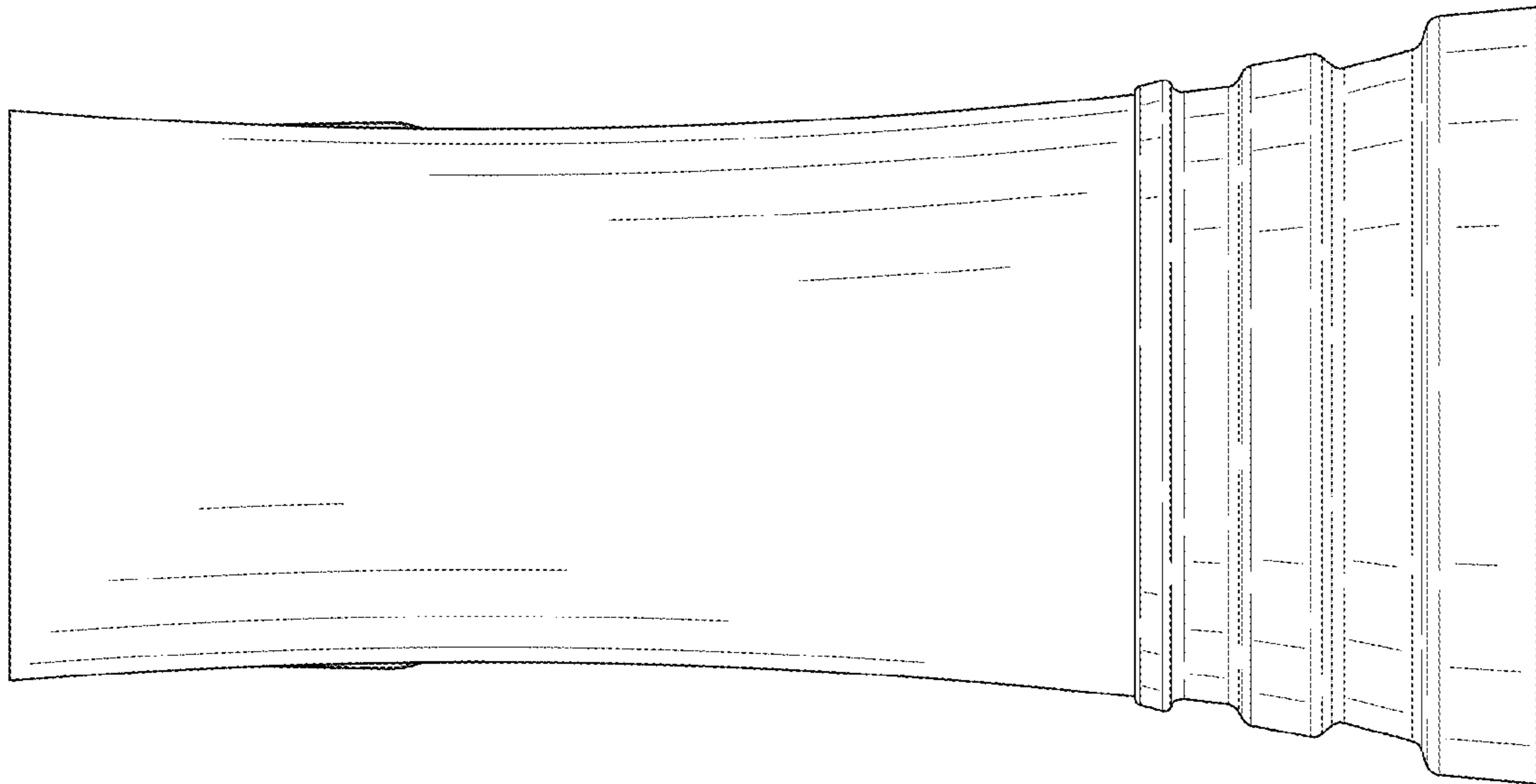


FIG. 4

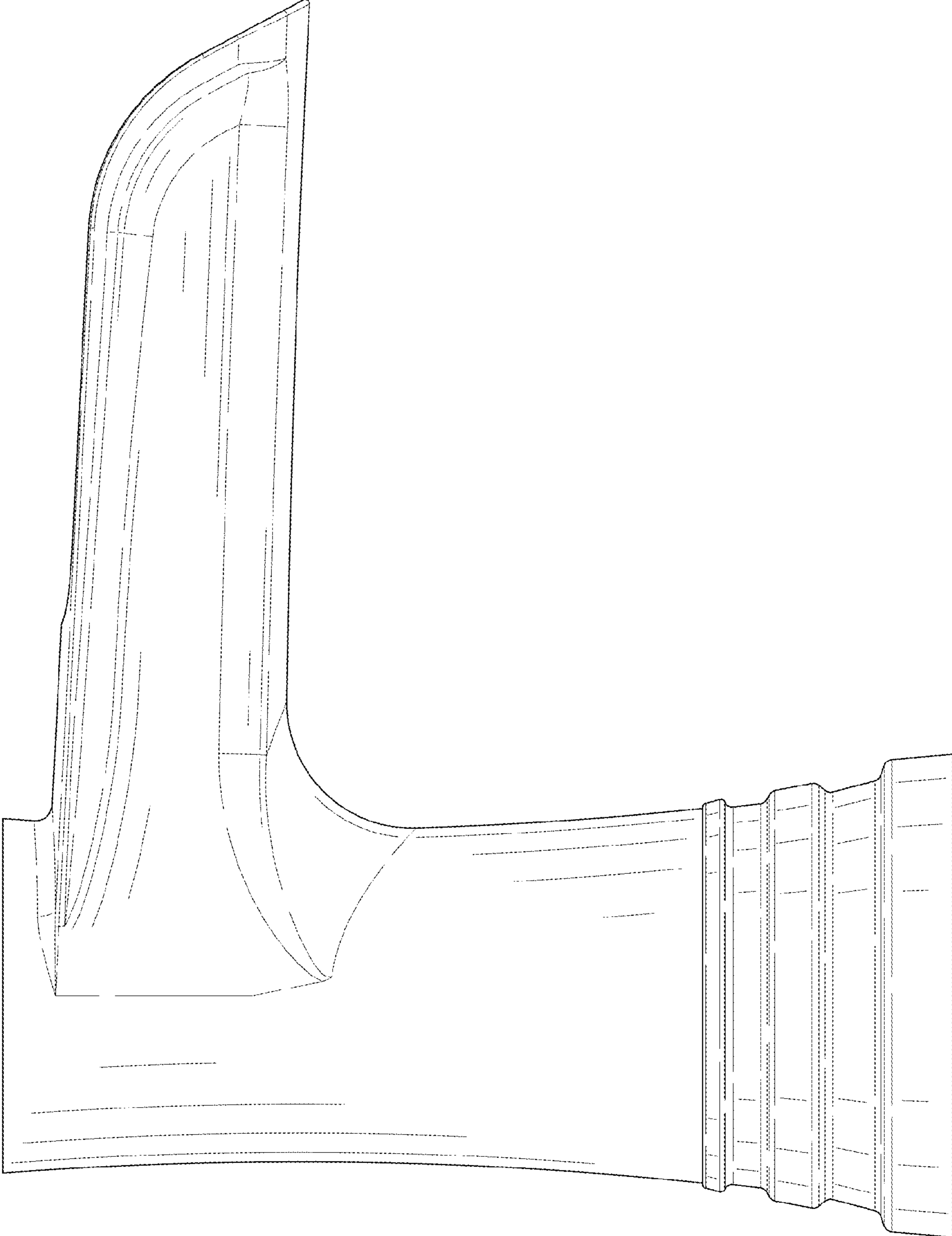


FIG. 5

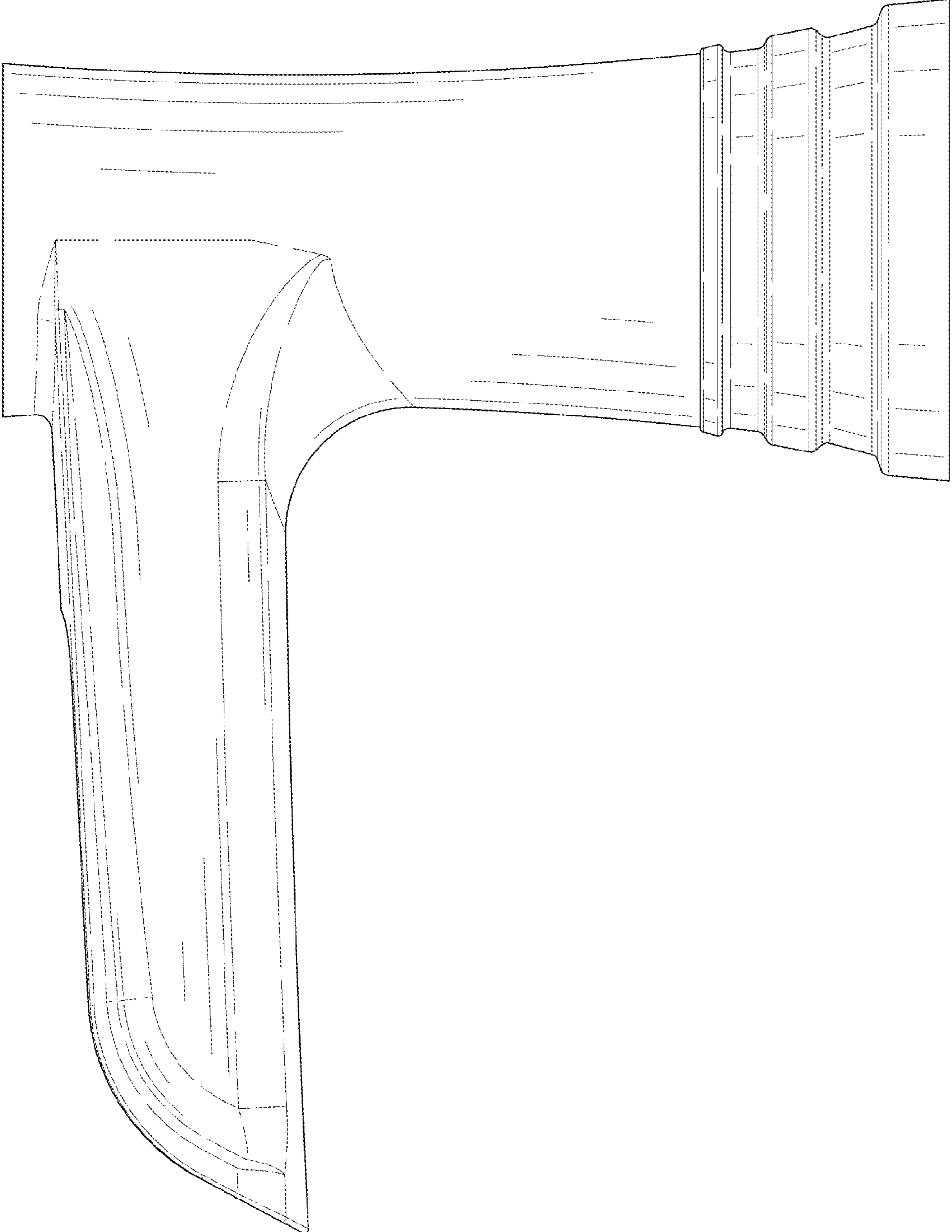


FIG. 6

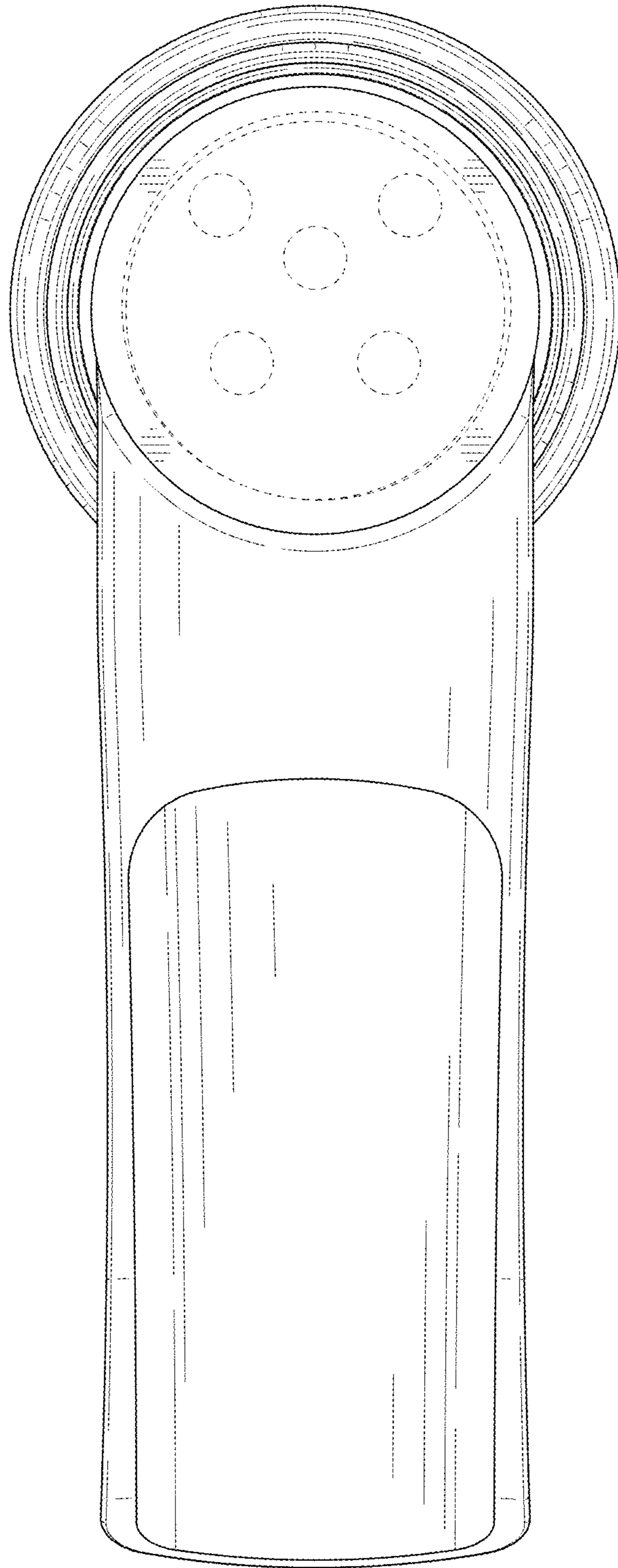


FIG. 7

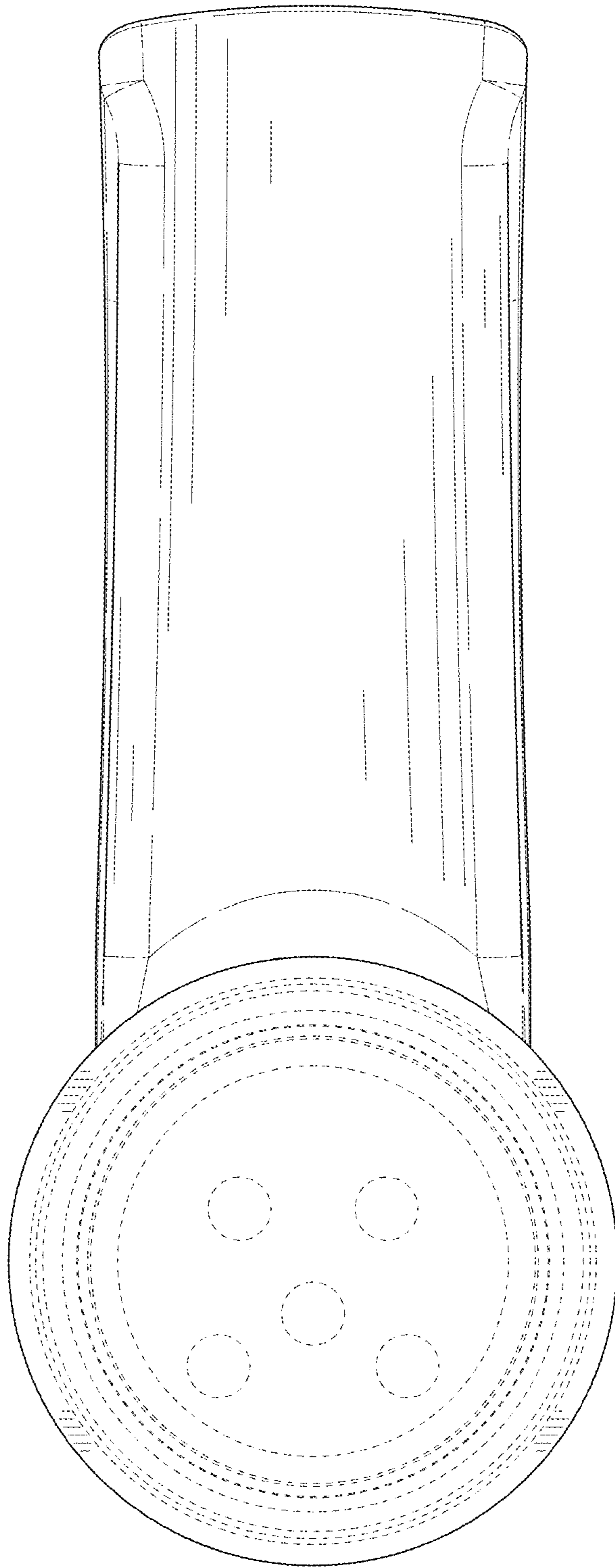


FIG. 8