



US00D963806S

(12) **United States Design Patent** (10) **Patent No.:** **US D963,806 S**
Parsons (45) **Date of Patent:** **** Sep. 13, 2022**

(54) **FAUCET SPOUT**
(71) Applicant: **DELTA FAUCET COMPANY,**
Indianapolis, IN (US)
(72) Inventor: **Sam Parsons,** Glenview, IL (US)
(73) Assignee: **DELTA FAUCET COMPANY,**
Indianapolis, IN (US)

D898,166 S * 10/2020 Eads D23/255
D921,849 S * 6/2021 Seum D23/255
D923,754 S * 6/2021 Seum D23/255
D945,823 S * 3/2022 Liaw D7/398

FOREIGN PATENT DOCUMENTS

CA 165061 * 6/2016
CN 304140225 * 5/2017

* cited by examiner

Primary Examiner — David G Muller
Assistant Examiner — Jamaal Rasheed
(74) *Attorney, Agent, or Firm* — Nirav D. Parikh; Jeffrey
L. Doyle

(**) Term: **15 Years**
(21) Appl. No.: **29/765,999**
(22) Filed: **Jan. 13, 2021**
(51) **LOC (13) Cl.** **23-01**
(52) **U.S. Cl.**
USPC **D23/255**
(58) **Field of Classification Search**
USPC D23/238–244, 252, 254–255, 257, 499;
D7/398
CPC F16K 31/602; F16K 31/605; F16K 31/607;
E03C 1/0412
See application file for complete search history.

(57) **CLAIM**

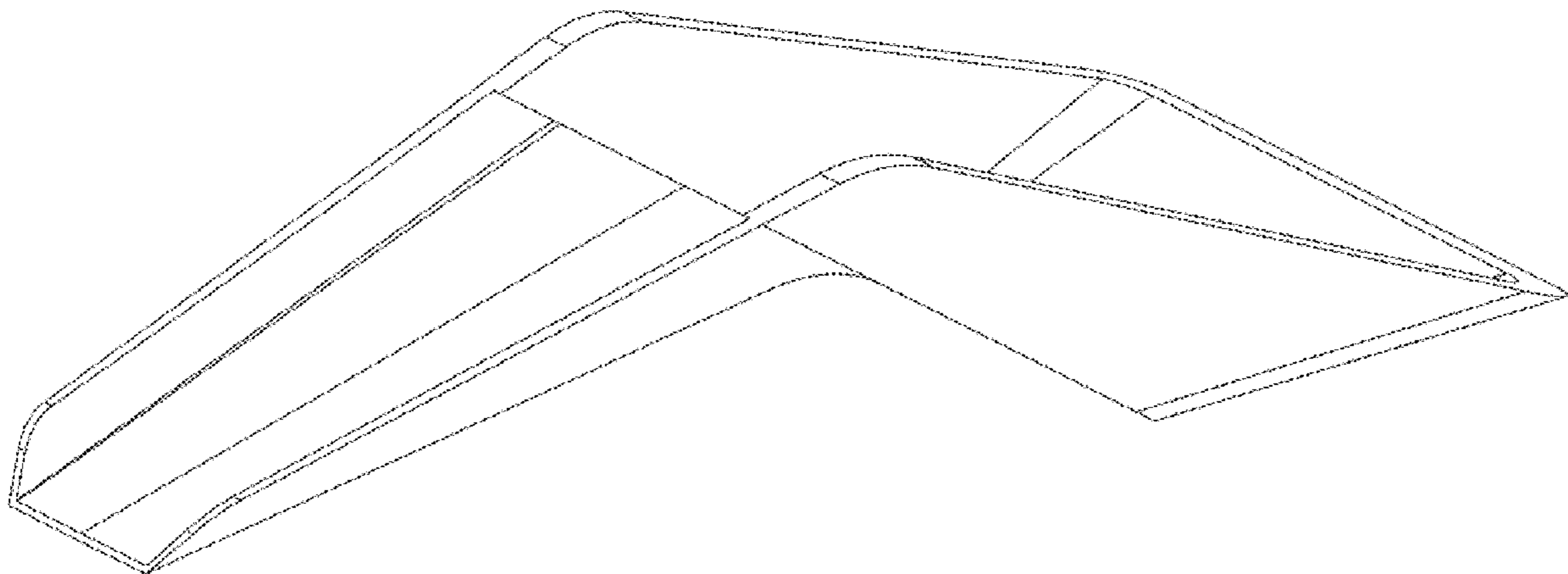
The ornamental design for a faucet spout, as shown and described.

DESCRIPTION

FIG. 1 is a front perspective view of a faucet spout showing my new design;
FIG. 2 is a rear perspective view thereof;
FIG. 3 is a front elevational view thereof;
FIG. 4 is a left side view thereof;
FIG. 5 is a rear view thereof;
FIG. 6 is a right side view thereof;
FIG. 7 is a top plan view thereof; and,
FIG. 8 is a bottom view thereof.

(56) **References Cited**
U.S. PATENT DOCUMENTS
D290,867 S * 7/1987 Ross D22/129
D844,112 S * 3/2019 Zeisel D23/238
D850,165 S * 6/2019 Eads D6/672
D870,243 S * 12/2019 Eads D23/250

1 Claim, 4 Drawing Sheets



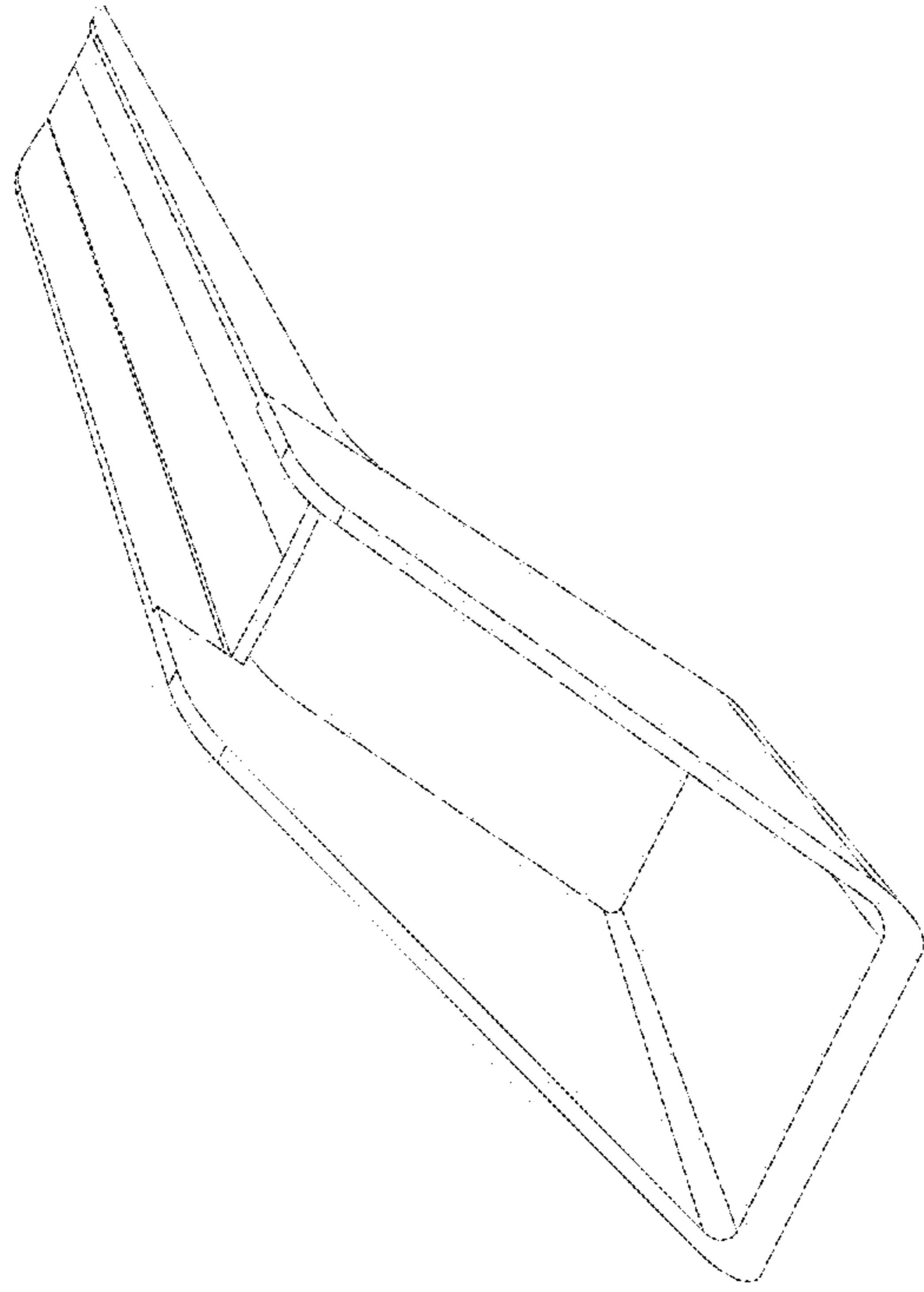


FIG - 2

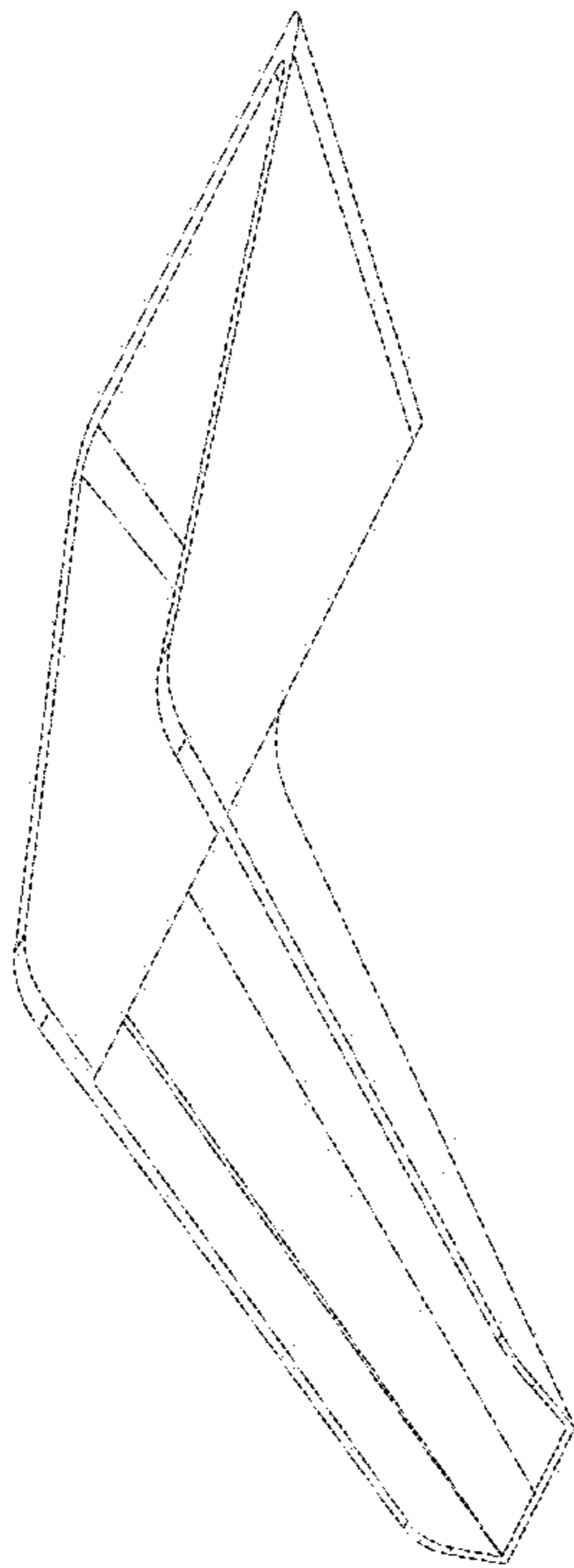


FIG - 1

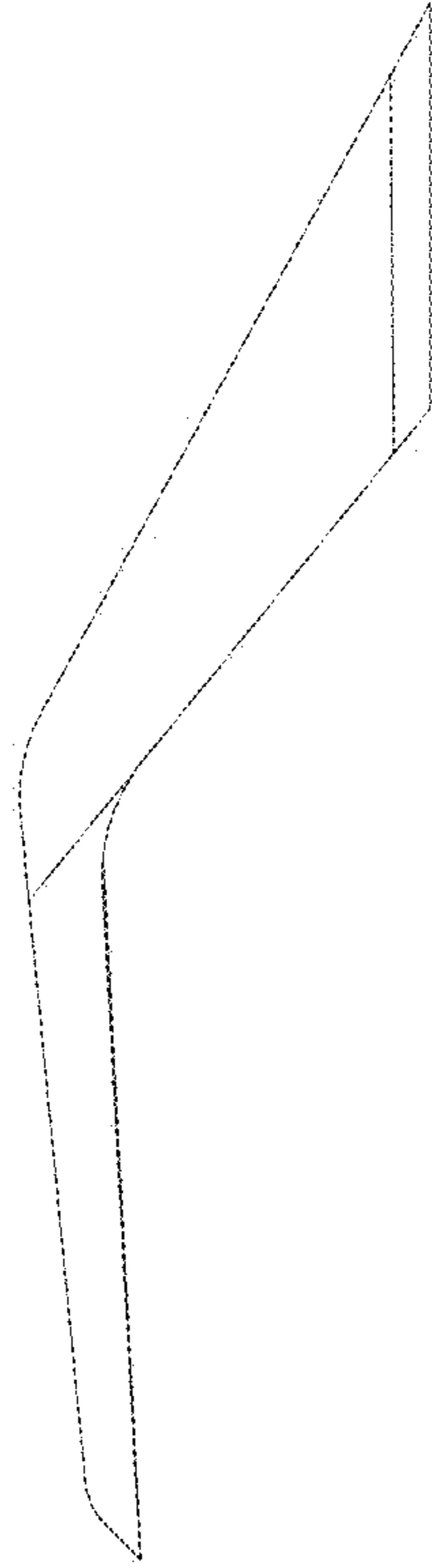


FIG - 4

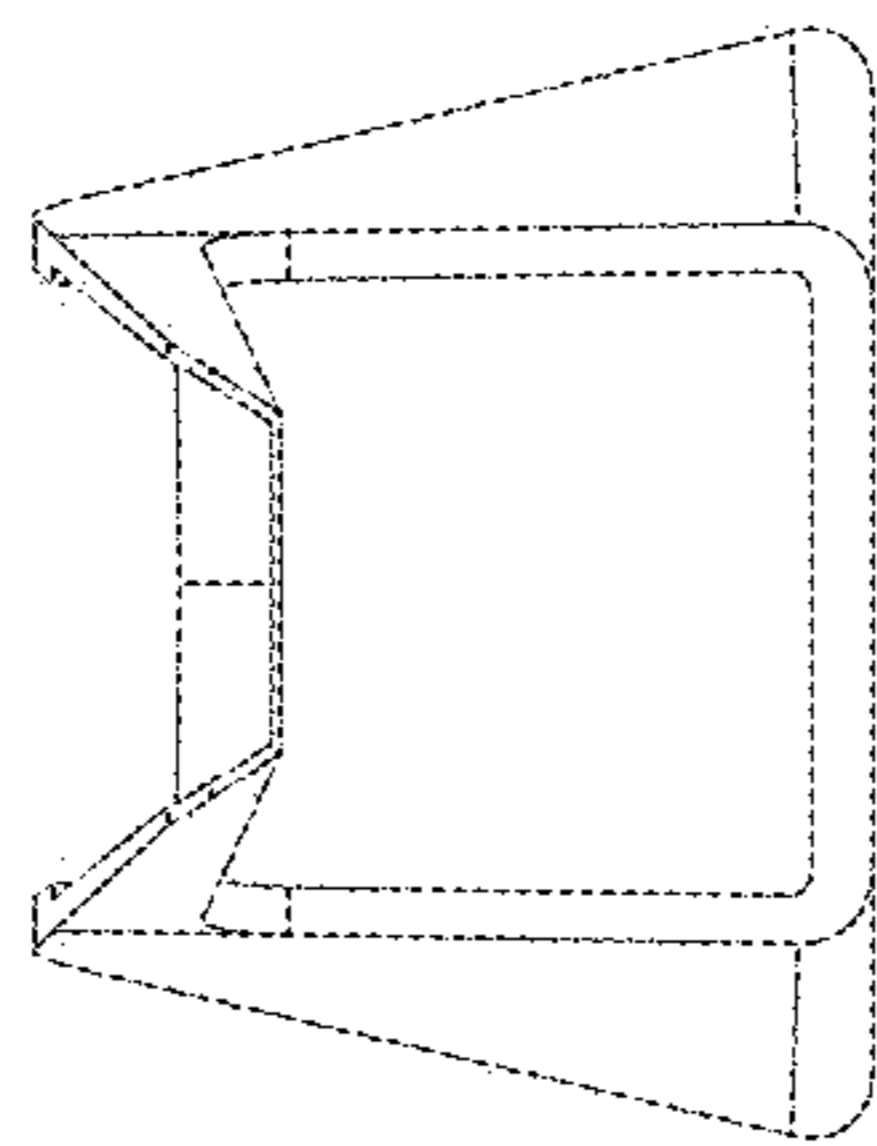


FIG - 3



FIG - 6

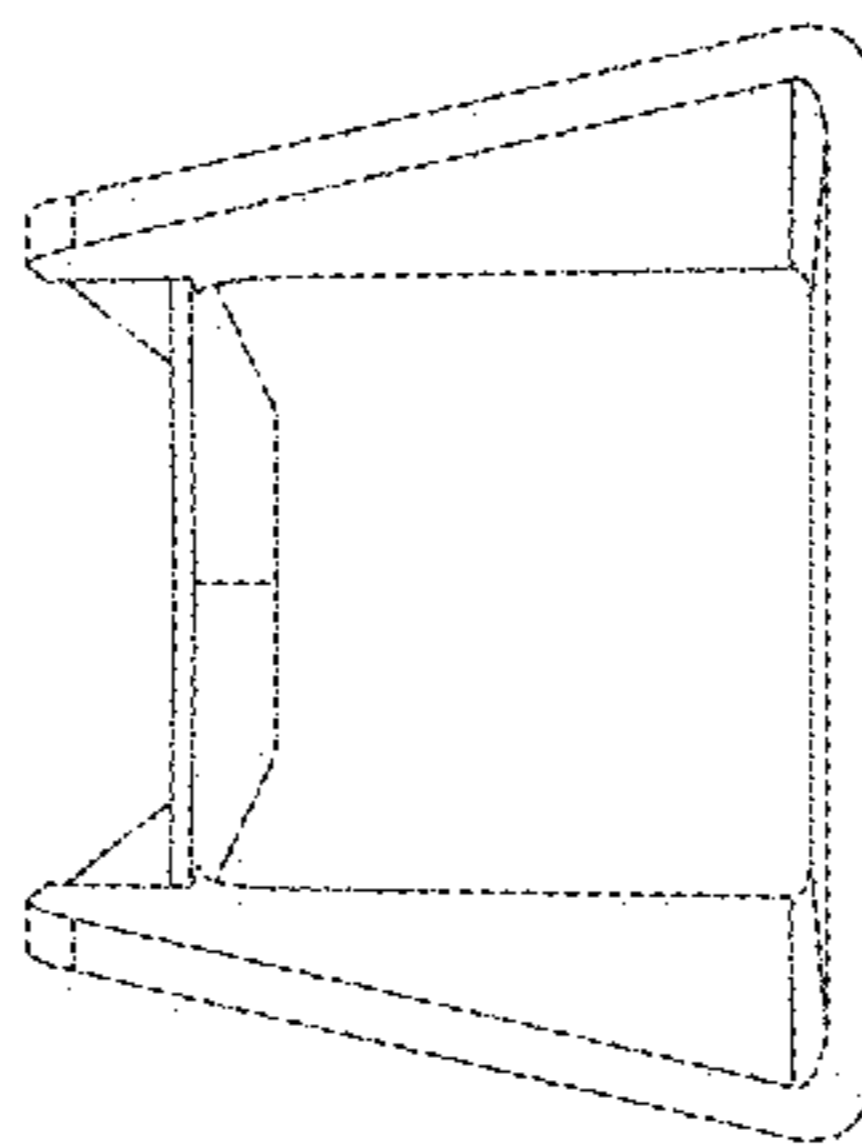


FIG - 5

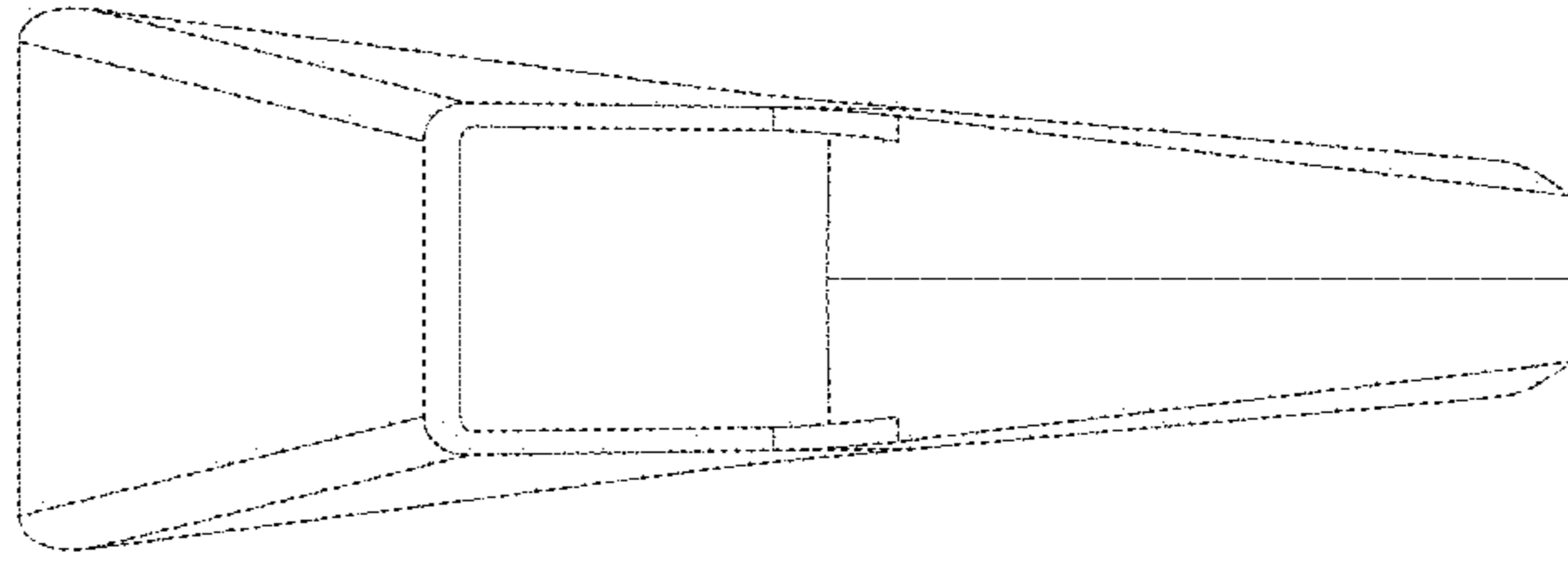


FIG - 8

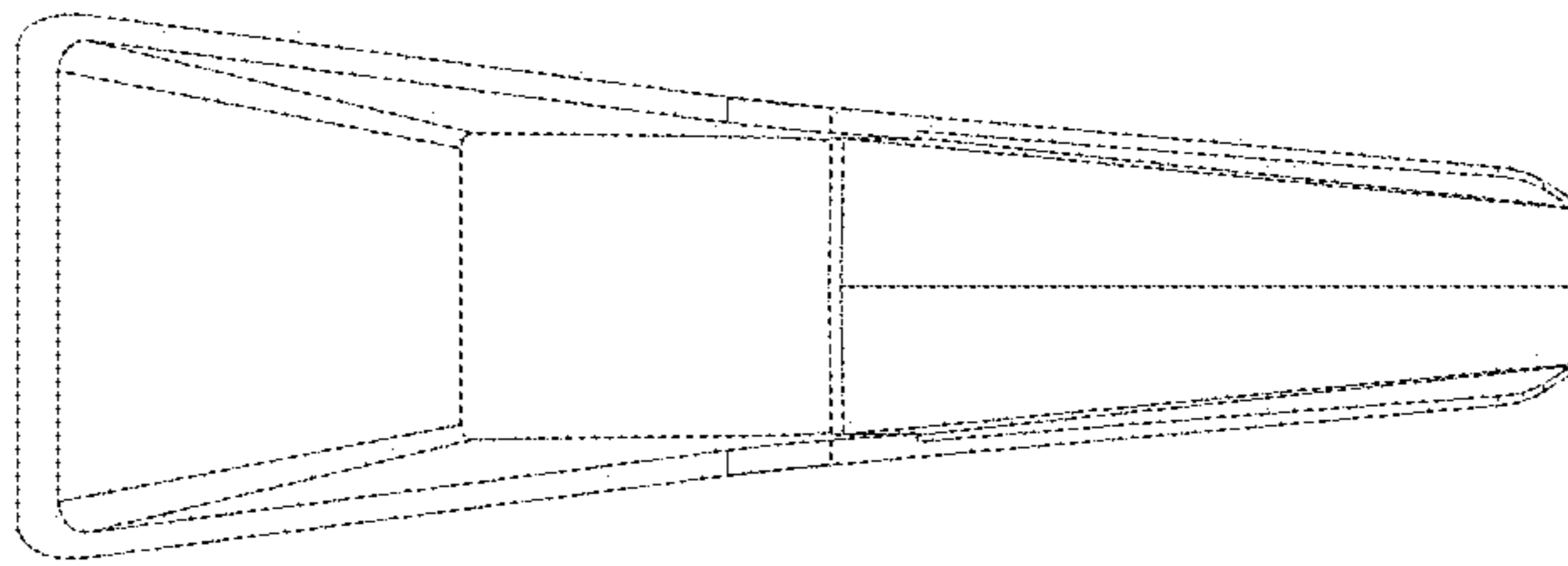


FIG - 7