



US00D963804S

(12) **United States Design Patent** (10) **Patent No.:** **US D963,804 S**
Shell (45) **Date of Patent:** **** Sep. 13, 2022**

(54) **FAUCET**

FOREIGN PATENT DOCUMENTS

(71) Applicant: **DELTA FAUCET COMPANY,**
Indianapolis, IN (US)

CN 303233691 * 6/2015

(72) Inventor: **Derel Juvae Shell,** Merrillville, IN
(US)

OTHER PUBLICATIONS

(73) Assignee: **DELTA FAUCET COMPANY,**
Indianapolis, IN (US)

Gangang Led Automatic Touchless Sensor Waterfall Bathroom
Faucet, first available Oct. 12, 2016 [online], [site visited Jun. 9,
2022]. Available from internet, URL:< https://www.amazon.com/
Gangang-Automatic-Touchless-Waterfall-waterfull/dp/B01M3OGTT4?
th=1> (Year: 2016).*

(**) Term: **15 Years**

JinYuZe Waterfall Widespread LED Light Bathroom Sink Faucet,
announced Sep. 28, 2017[online], [site visited Jun. 13, 2022].
Available from internet, URL:<https://www.amazon.com/JinYuZe-
Handle-Waterfall-Widespread-Bathroom/dp/B072R4V89F> (Year:
2017).*

(21) Appl. No.: **29/775,796**

* cited by examiner

(22) Filed: **Mar. 25, 2021**

(51) **LOC (13) Cl.** **23-01**

(52) **U.S. Cl.**
USPC **D23/242**

(58) **Field of Classification Search**
USPC D23/238-244, 252, 254-255, 257, 499;
D7/398

CPC F16K 31/602; F16K 31/605; F16K 31/607;
E03C 1/0412

See application file for complete search history.

Primary Examiner — David G Muller
Assistant Examiner — Jamaal Rasheed
(74) *Attorney, Agent, or Firm* — Nirav D. Parikh; Jeffrey
L. Doyle

(57) **CLAIM**

The ornamental design for a faucet, as shown and described.

DESCRIPTION

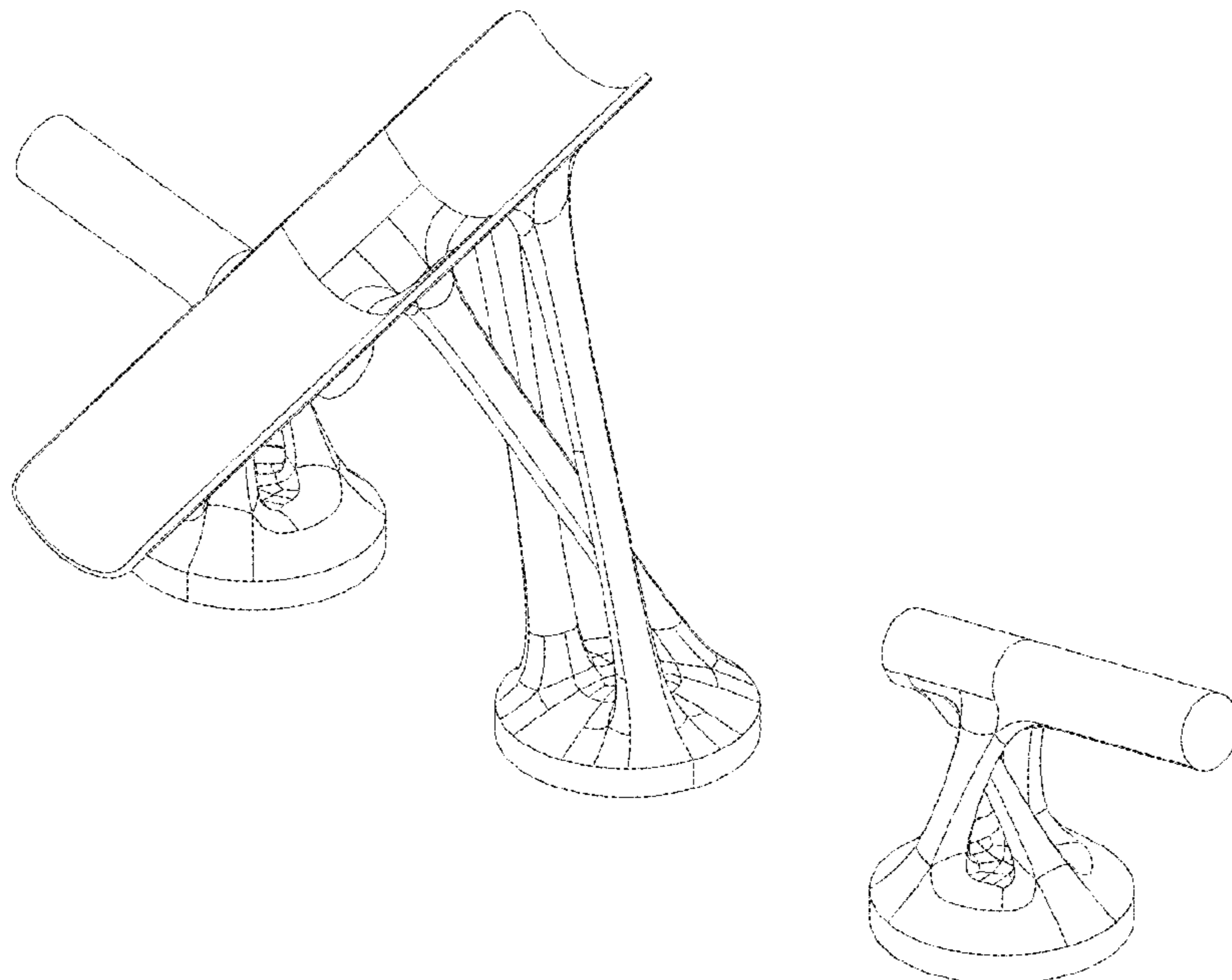
(56) **References Cited**

U.S. PATENT DOCUMENTS

D536,070 S *	1/2007	Gilbert	D23/255
D562,946 S *	2/2008	Wang	D23/242
D624,990 S *	10/2010	Joerger	D23/242
D677,757 S *	3/2013	Lord	D23/238
D693,437 S *	11/2013	Starck	D23/238
D931,415 S *	9/2021	Staler	D23/238
D932,592 S *	10/2021	Lazarini	D23/238
D933,782 S *	10/2021	Bahler	D23/238
D947,999 S *	4/2022	Smith	D23/252

FIG. 1 is a front perspective view of a faucet showing my
new design;
FIG. 2 is a rear perspective view thereof;
FIG. 3 is a front elevational view thereof;
FIG. 4 is a left side view thereof;
FIG. 5 is a rear view thereof;
FIG. 6 is a right side view thereof;
FIG. 7 is a top plan view thereof; and,
FIG. 8 is a bottom view thereof.

1 Claim, 4 Drawing Sheets



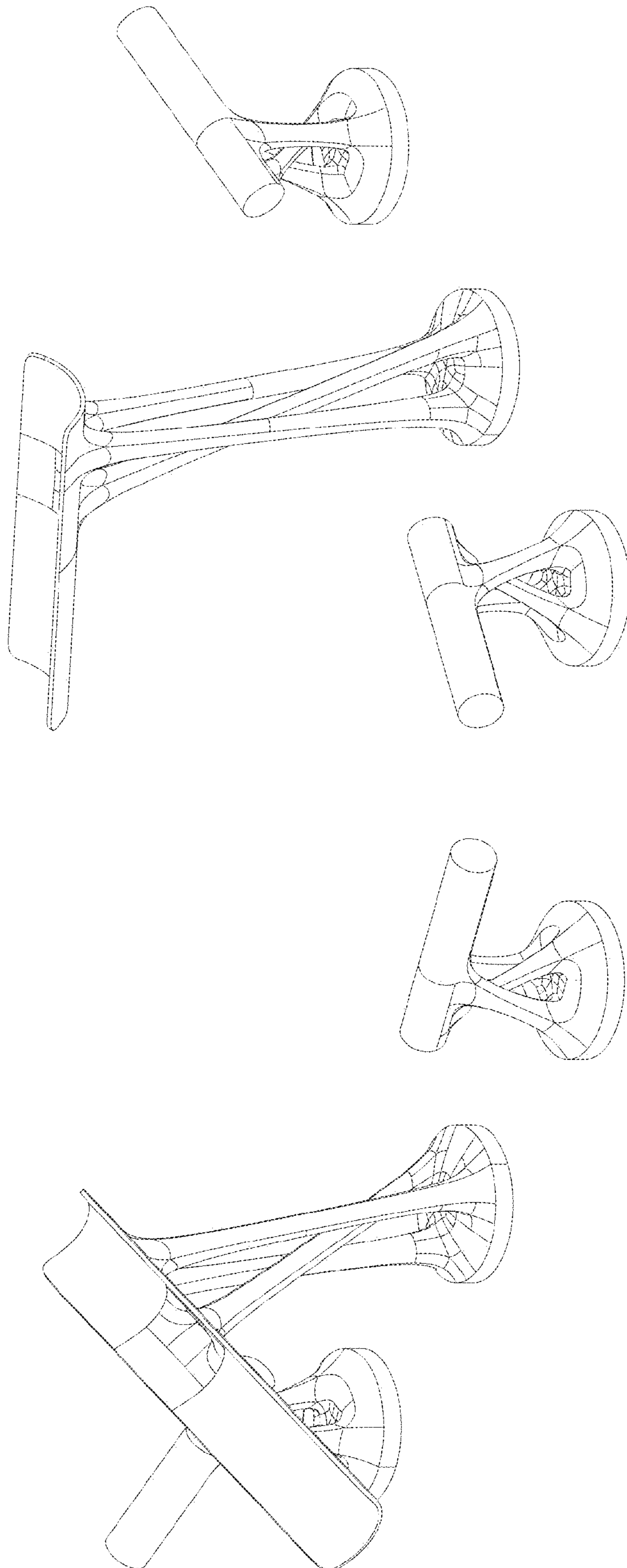


FIG - 2

FIG - 1

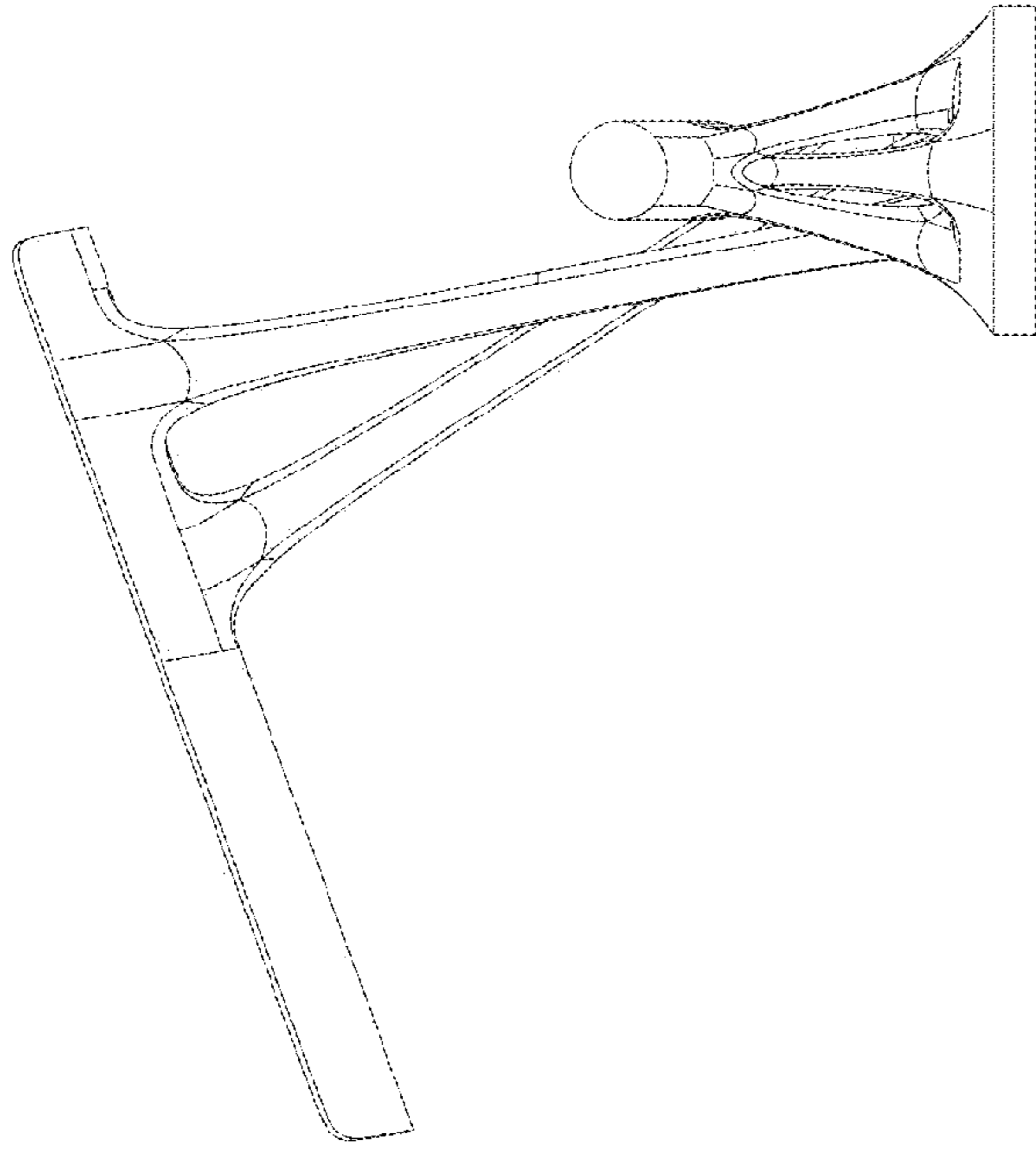


FIG - 4

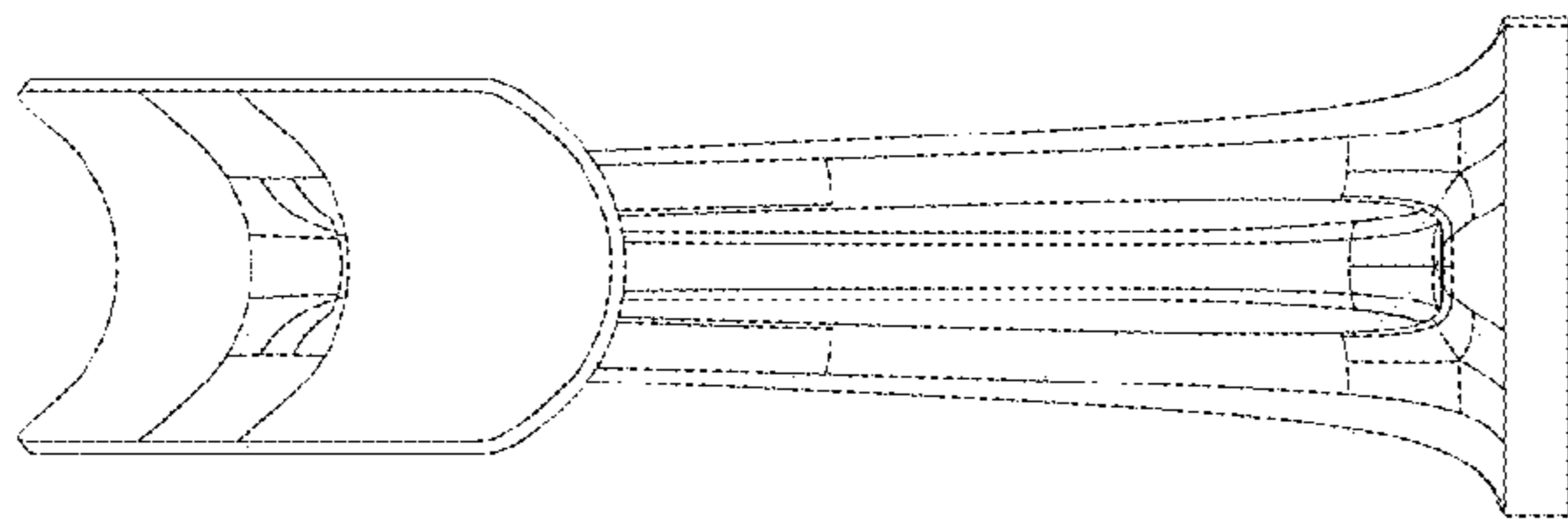
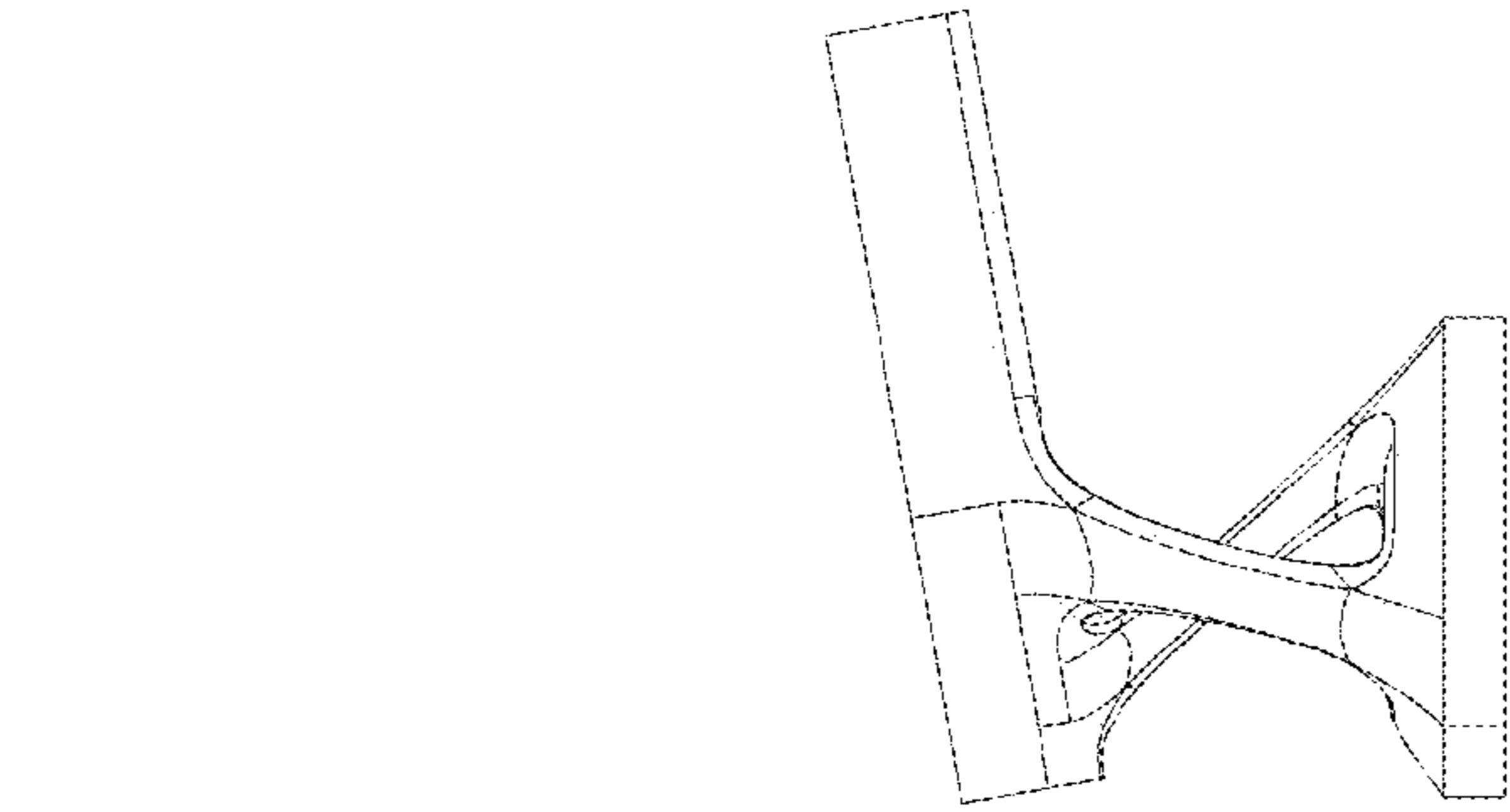
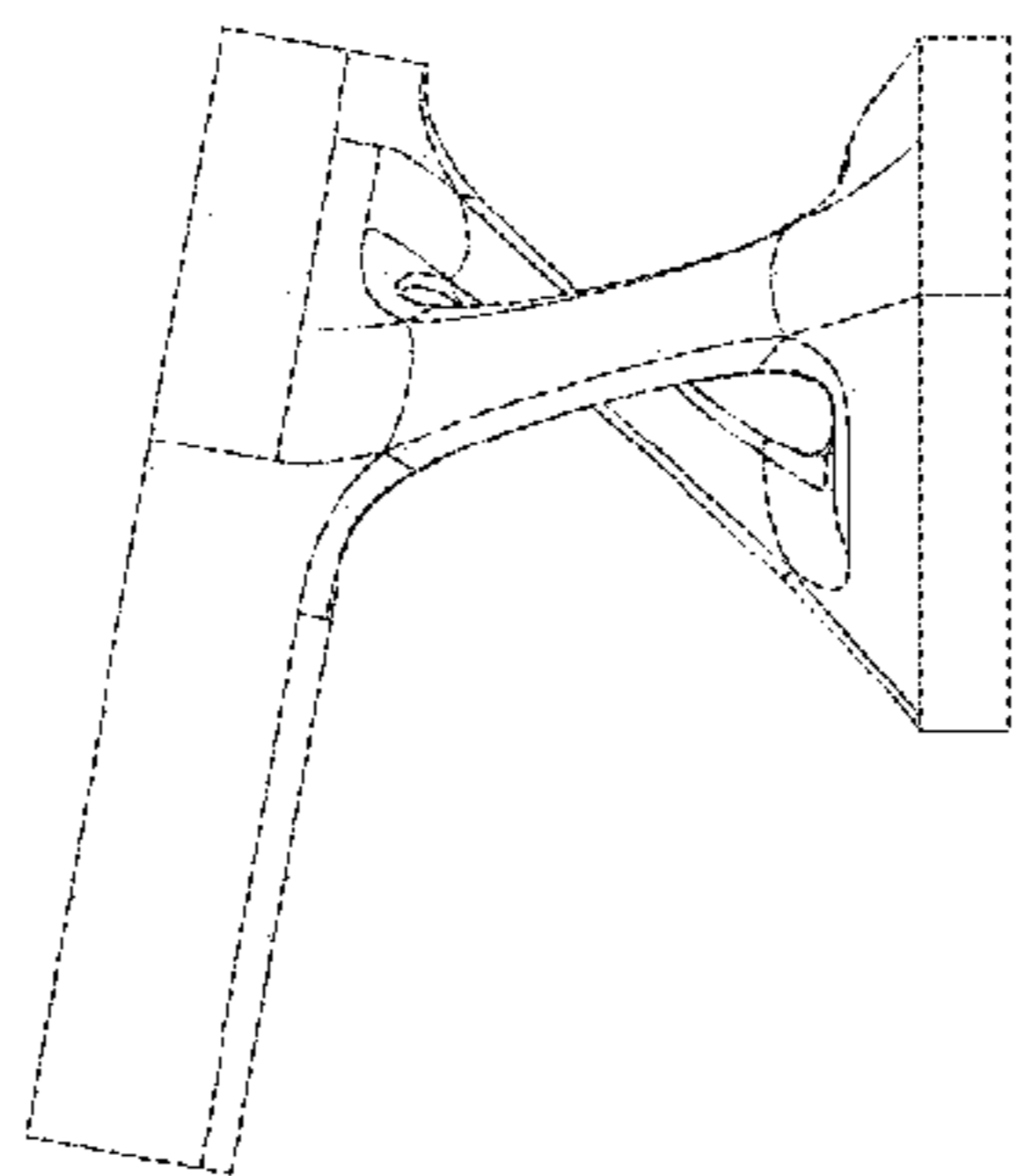


FIG - 3



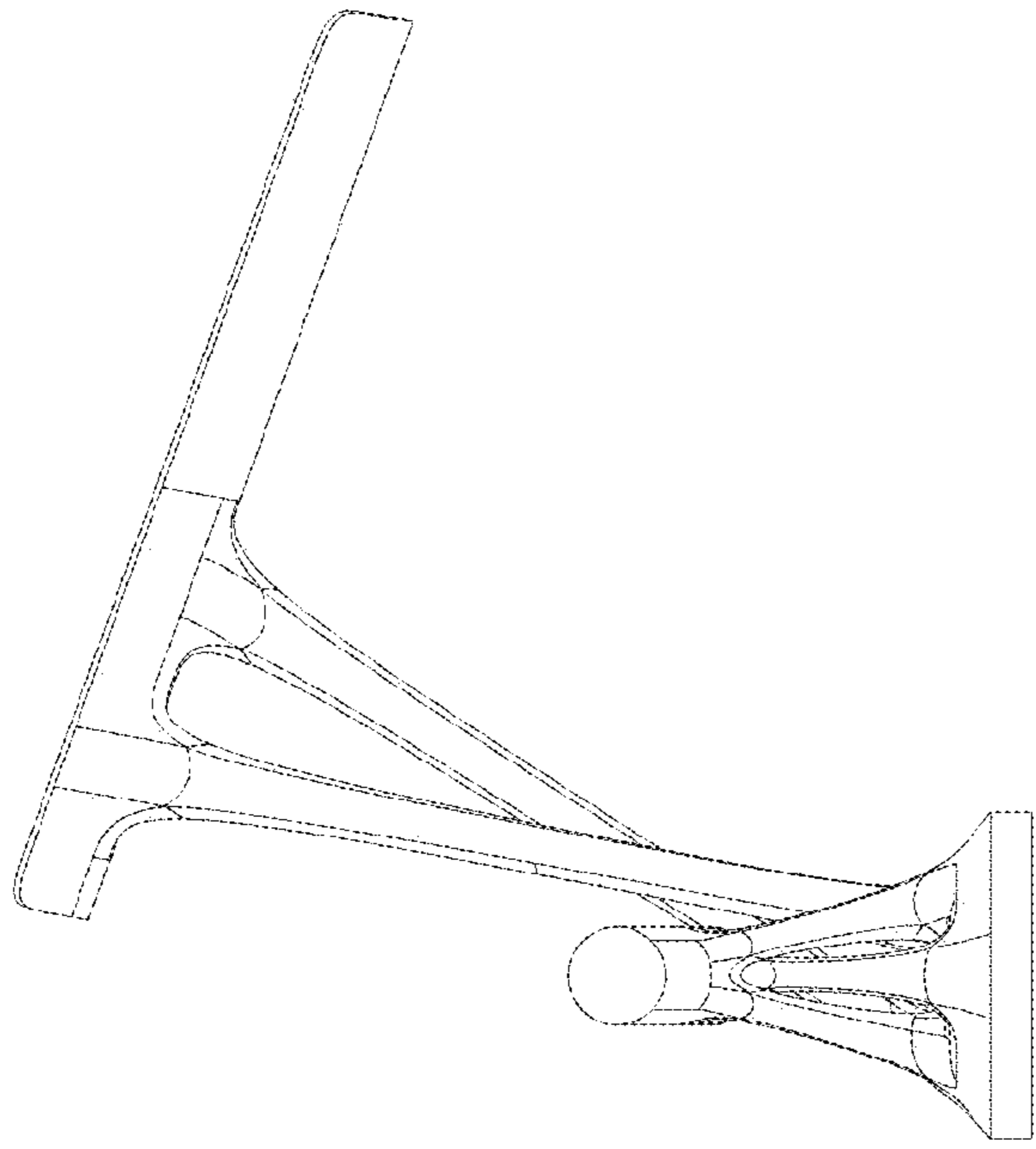


FIG - 6

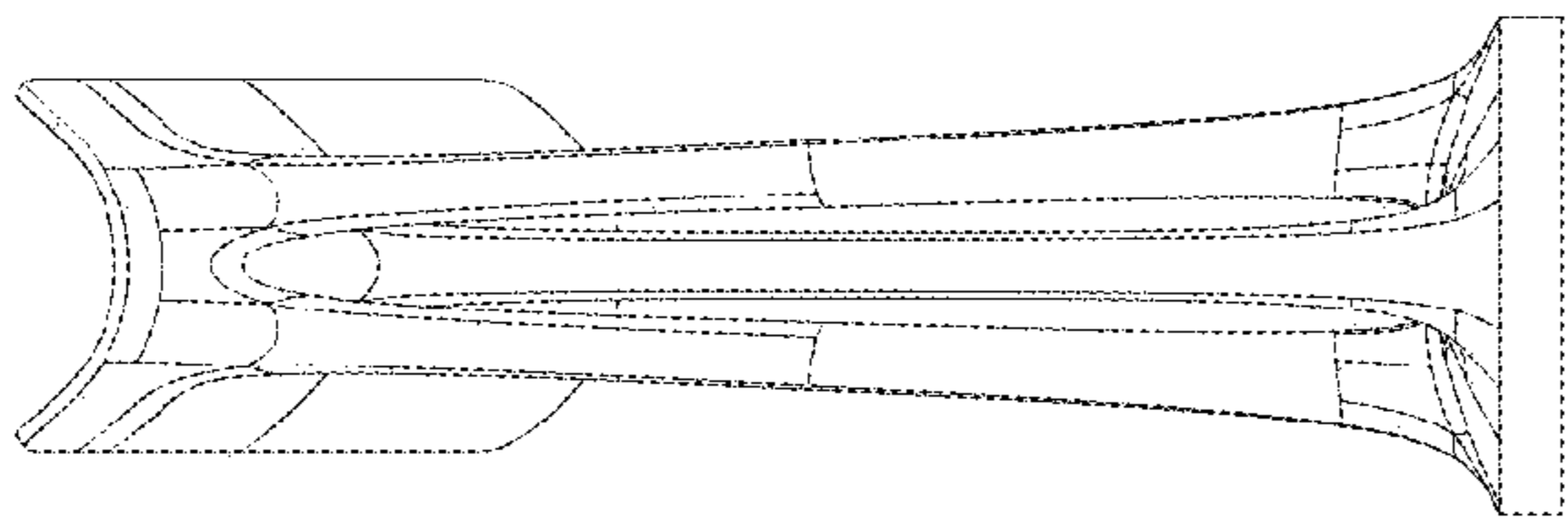
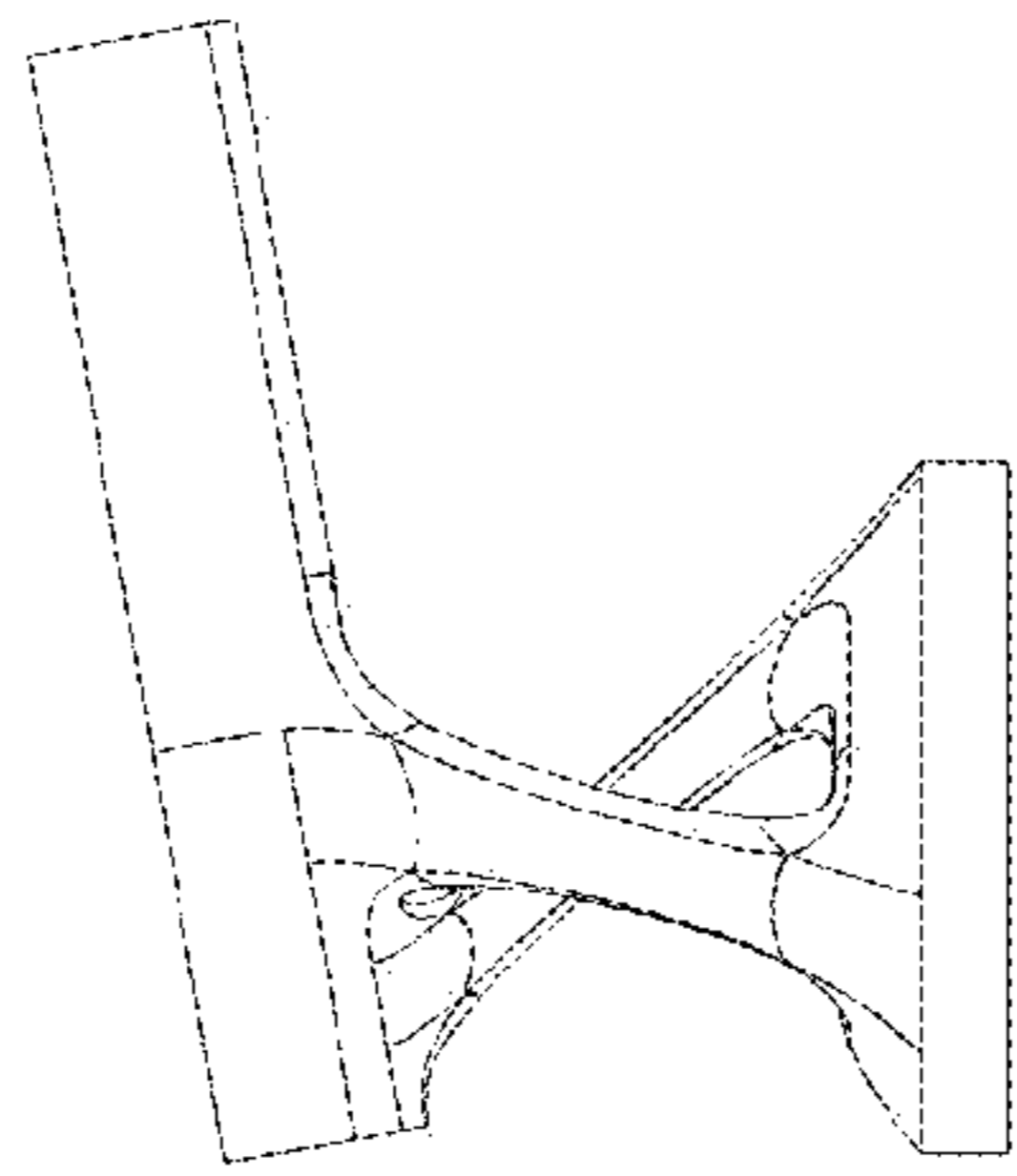
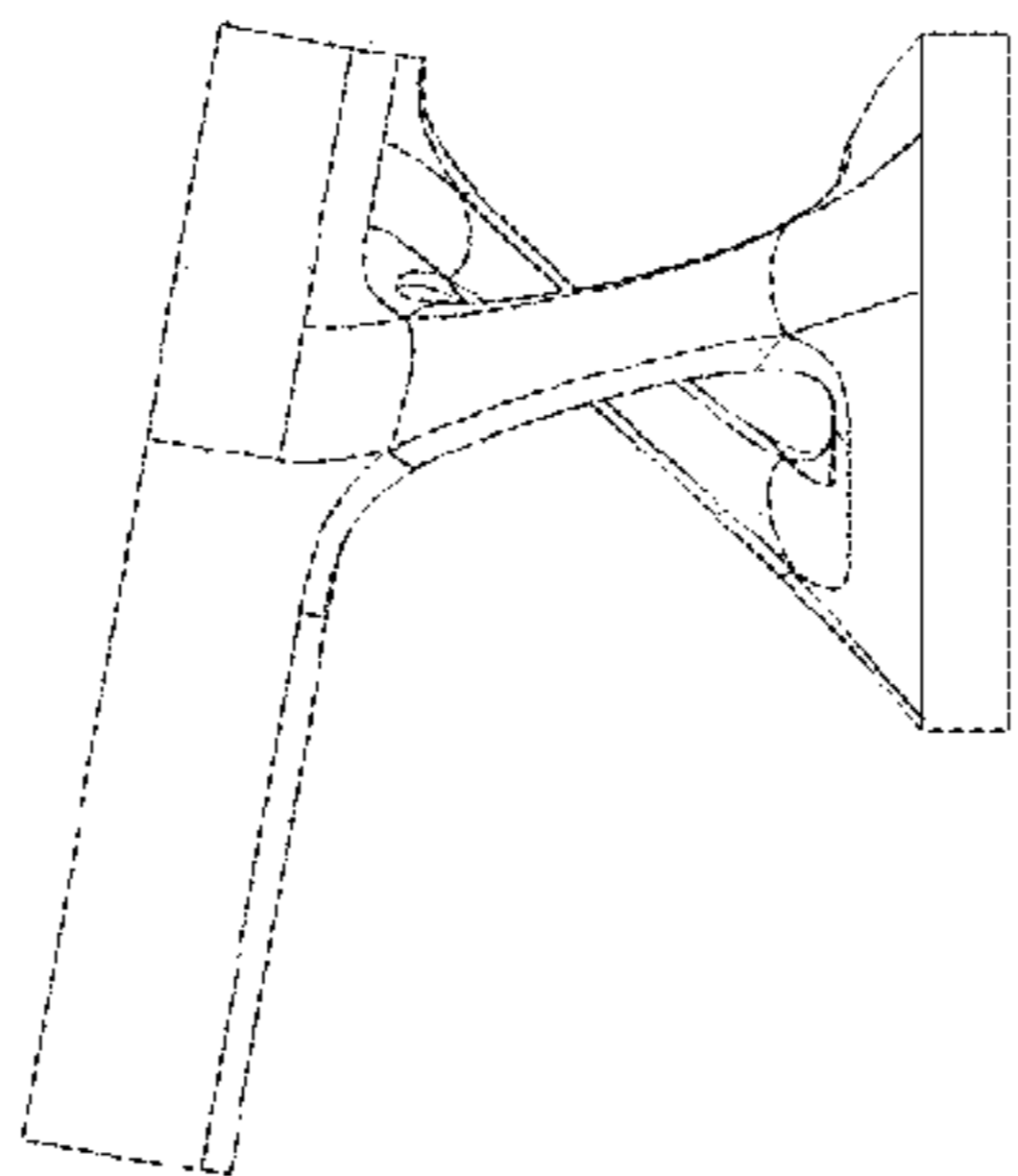


FIG - 5



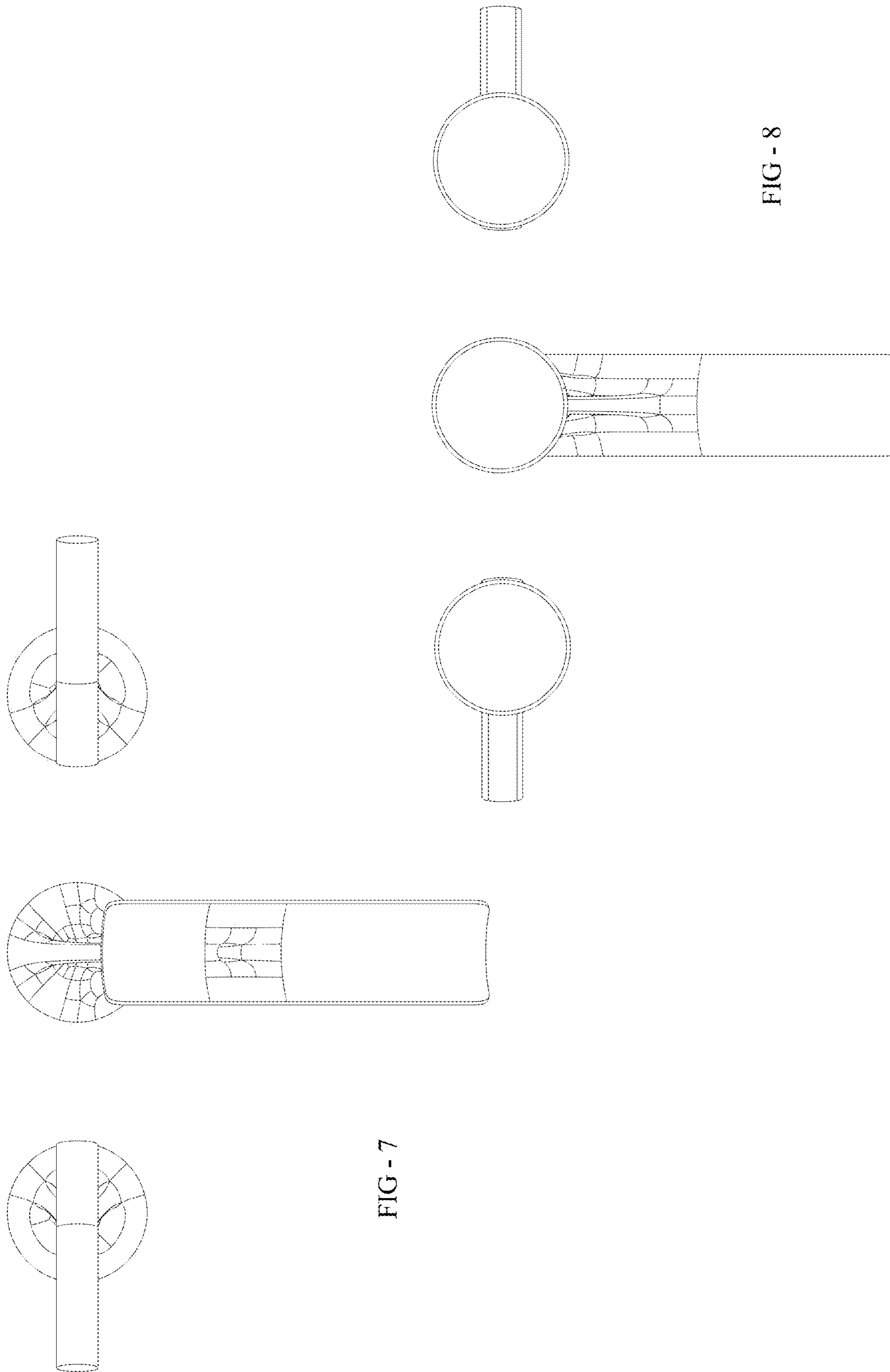


FIG - 7

FIG - 8