



US00D963803S

(12) **United States Design Patent** (10) **Patent No.:** **US D963,803 S**
Salamon (45) **Date of Patent:** **** Sep. 13, 2022**

(54) **FAUCET**

FOREIGN PATENT DOCUMENTS

(71) Applicant: **DELTA FAUCET COMPANY,**
Indianapolis, IN (US)

CA 182967 * 8/2019
CA 189131 * 11/2020

(72) Inventor: **Szymon Salamon,** Naperville, IL (US)

OTHER PUBLICATIONS

(73) Assignee: **DELTA FAUCET COMPANY,**
Indianapolis, IN (US)

JiuZhuo Contemporary Creative Design Single Lever Handle 1 Hole Bathroom Sink Faucet, first available Jun. 18, 2020 [online], [site visited Jun. 14, 2022]. Available from internet, URL:< https://www.3m3zon.com/JiuZhuo-Contemporary-Creative-Design-Bathroom/dp/B08BL6Q56X > (Year: 2020).*

(**) Term: **15 Years**

(21) Appl. No.: **29/775,337**

* cited by examiner

(22) Filed: **Mar. 23, 2021**

(51) **LOC (13) Cl.** **23-01**

Primary Examiner — David G Muller

(52) **U.S. Cl.**
USPC **D23/242**

Assistant Examiner — Jamaal Rasheed

(58) **Field of Classification Search**
USPC D23/238–244, 252, 254–255, 257, 499;
D7/398
CPC F16K 31/602; F16K 31/605; F16K 31/607;
E03C 1/0412

(74) *Attorney, Agent, or Firm* — Nirav D. Parikh; Jeffrey L. Doyle

See application file for complete search history.

(57) **CLAIM**

The ornamental design for a faucet, as shown and described.

(56) **References Cited**

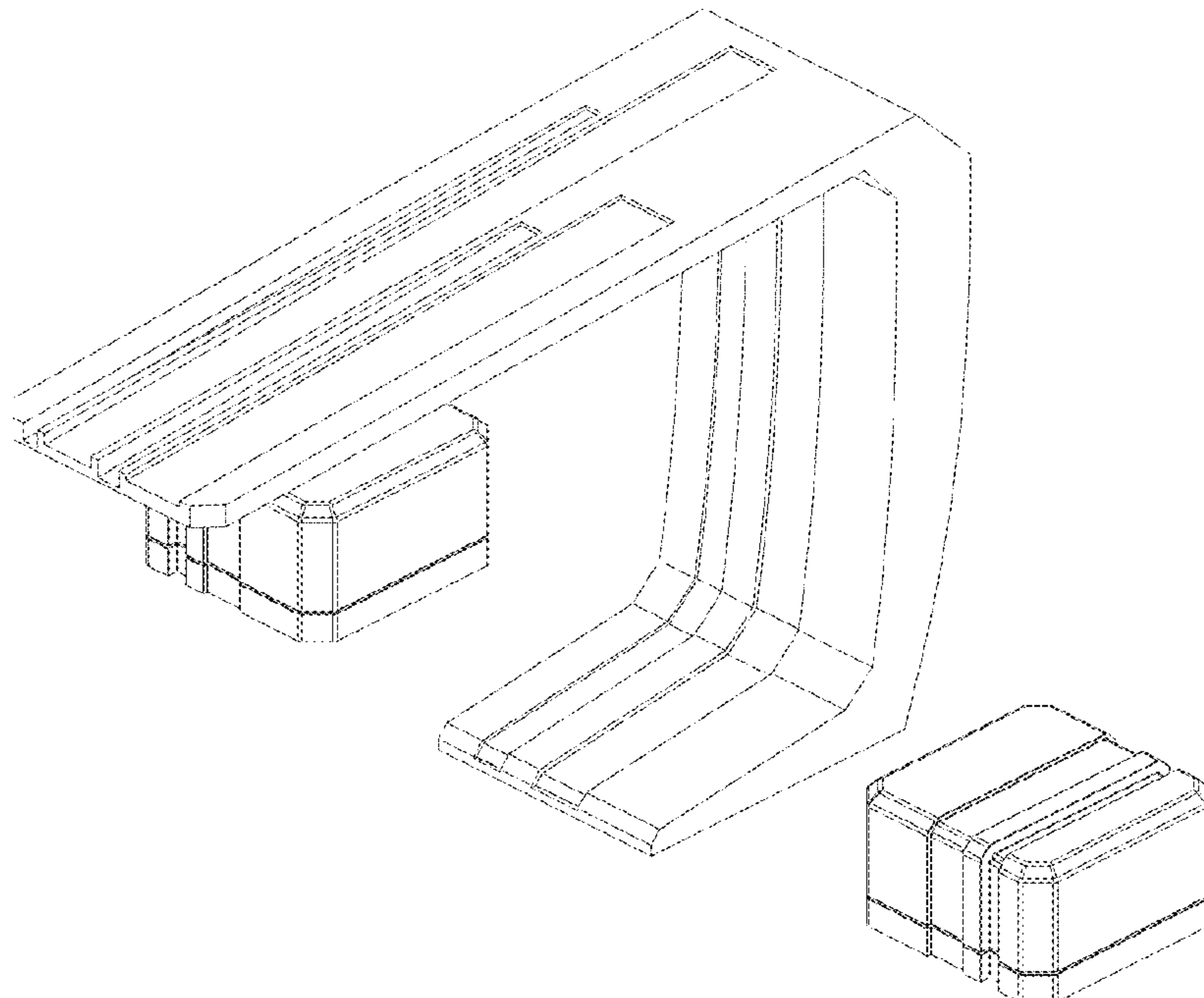
DESCRIPTION

U.S. PATENT DOCUMENTS

D308,718 S * 6/1990 Strignano D23/242
D511,201 S * 11/2005 Kulig D23/238
D759,212 S * 6/2016 Eads D23/255
D841,130 S * 2/2019 Eads D23/255
D845,444 S * 4/2019 Eads D23/255
D855,779 S * 8/2019 McKeone D23/255
D855,780 S * 8/2019 McKeone D23/255
D861,139 S * 9/2019 Zhang D23/255
D898,166 S * 10/2020 Eads D23/255
D923,754 S * 6/2021 Seum D23/255
2018/0135280 A1 * 5/2018 Nagaiwa E03C 1/057

FIG. 1 is a front perspective view of a faucet showing my new design;
FIG. 2 is a rear perspective view thereof;
FIG. 3 is a front elevational view thereof;
FIG. 4 is a left side view thereof;
FIG. 5 is a rear view thereof;
FIG. 6 is a right side view thereof;
FIG. 7 is a top plan view thereof; and,
FIG. 8 is a bottom view thereof.

1 Claim, 4 Drawing Sheets



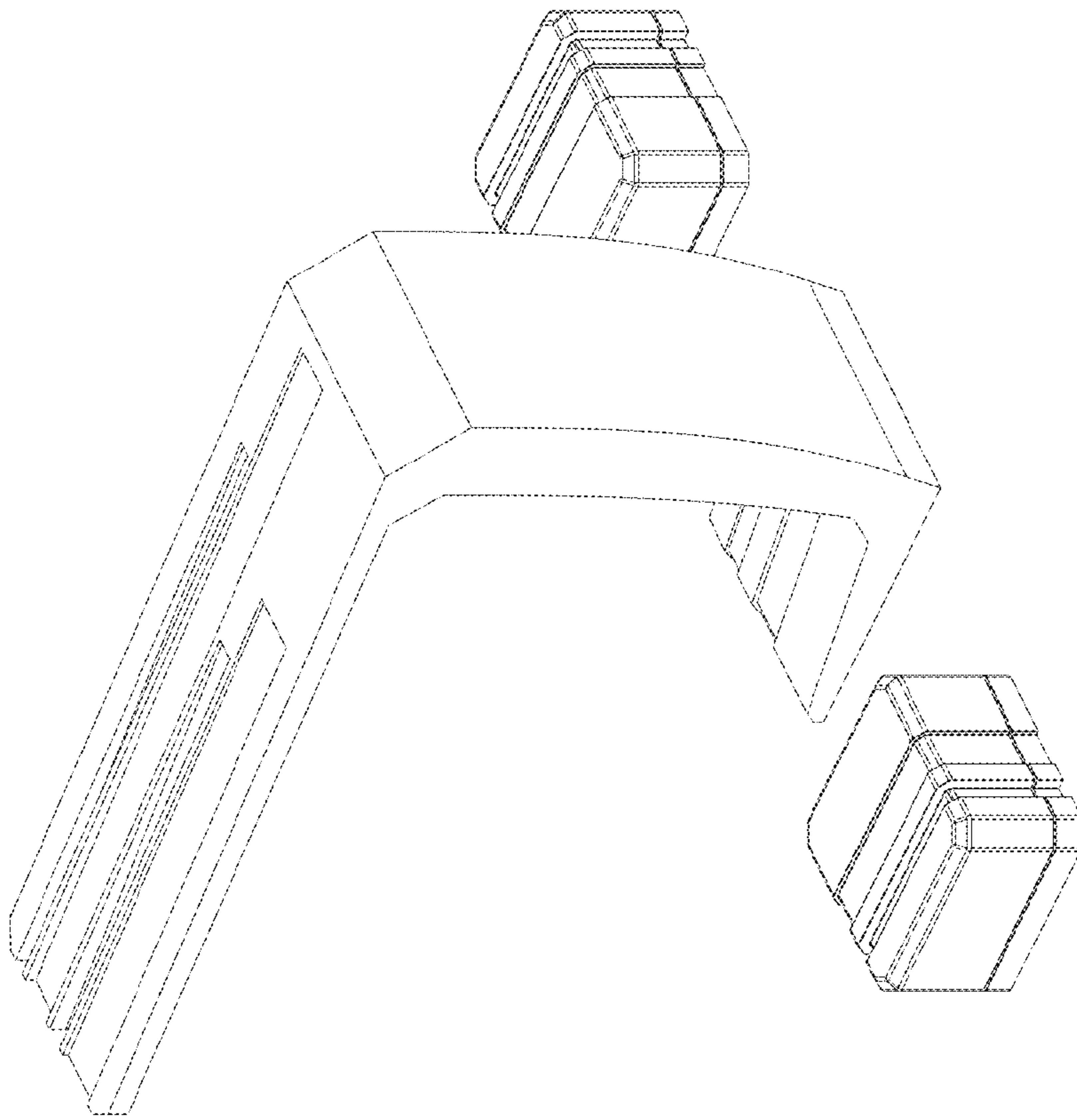


FIG - 2

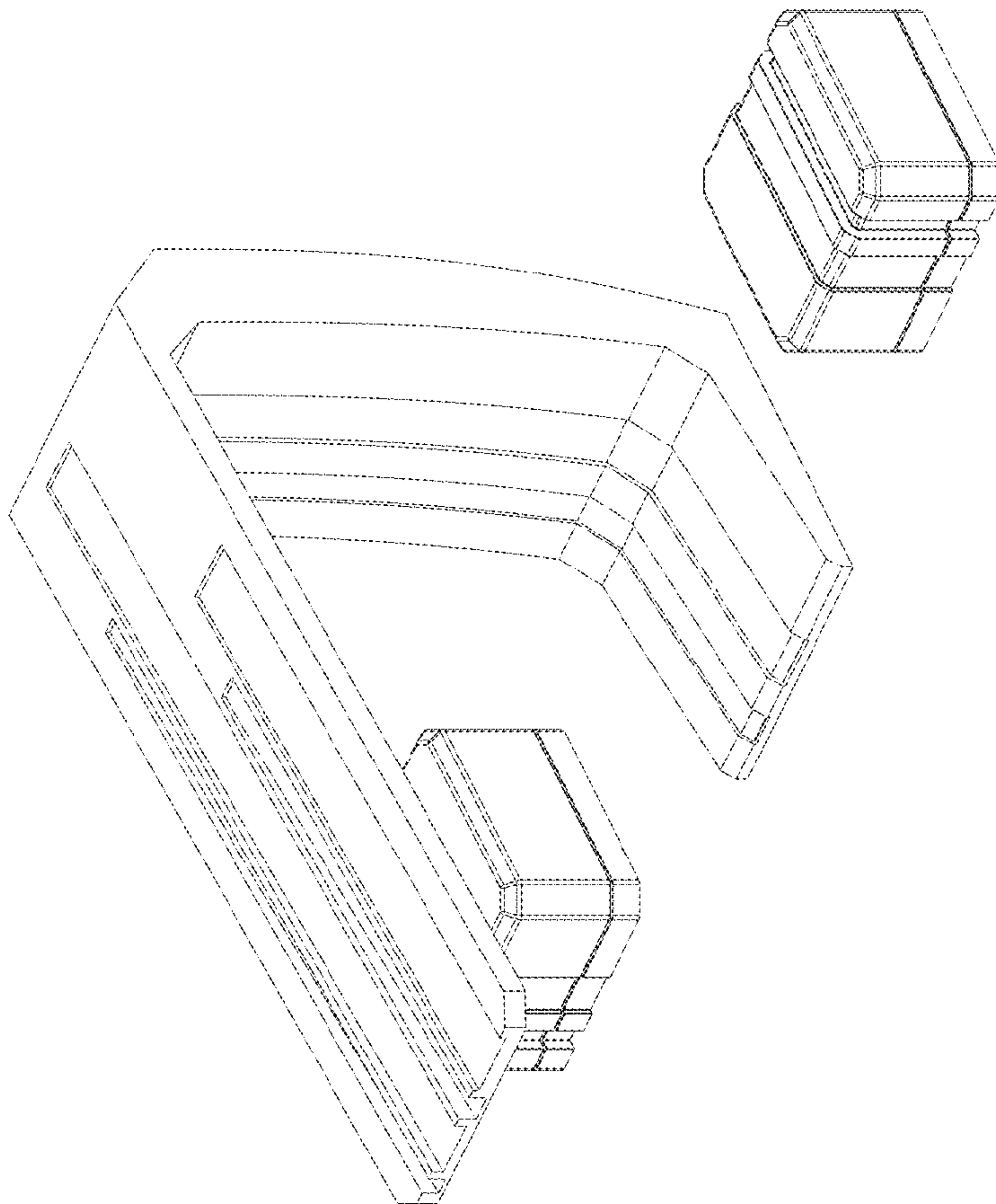


FIG - 1

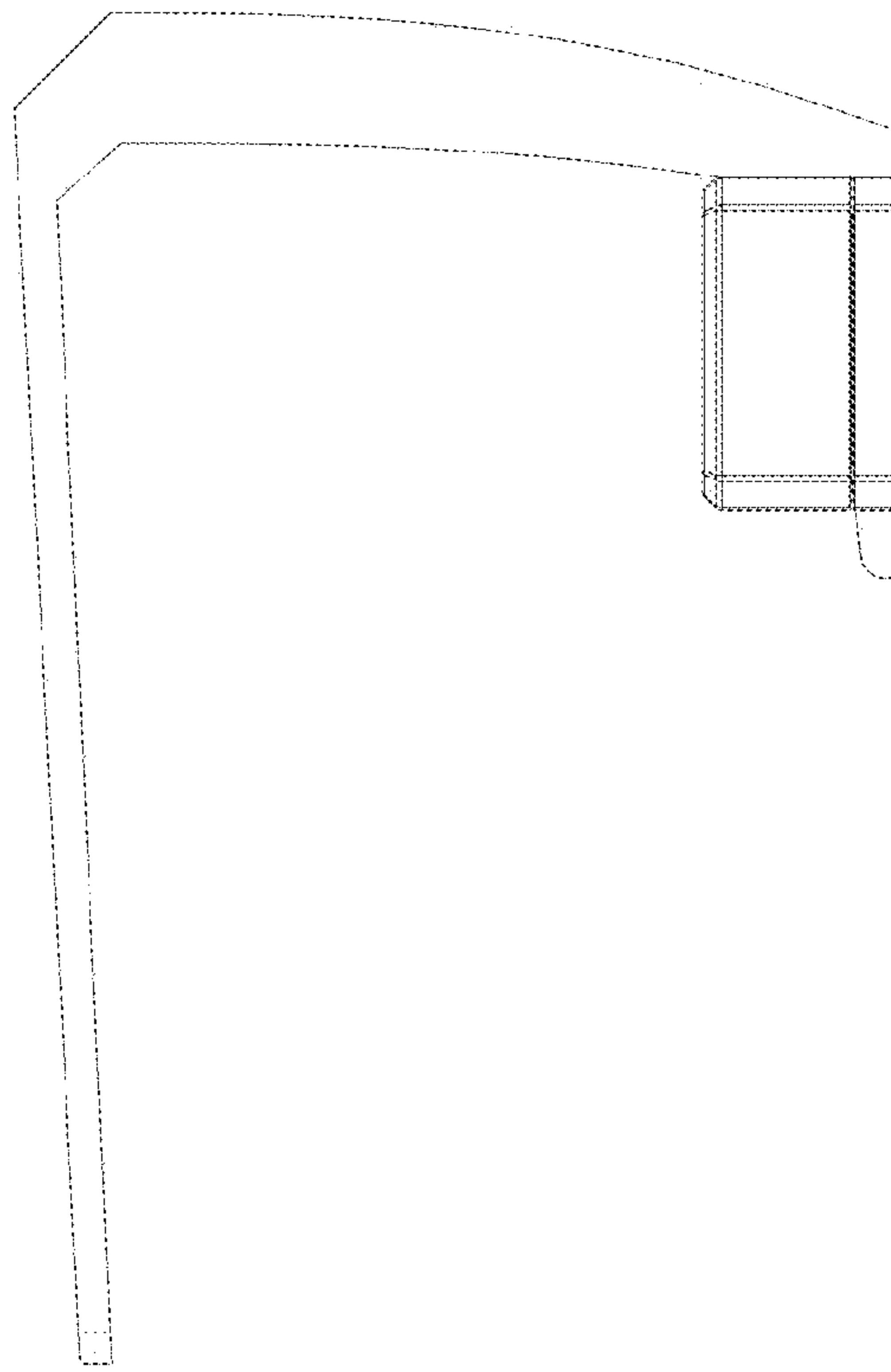
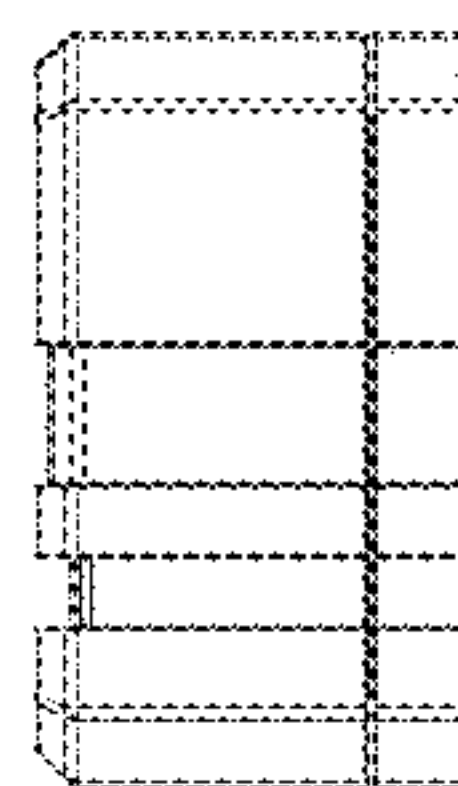


FIG - 4



FIG - 3



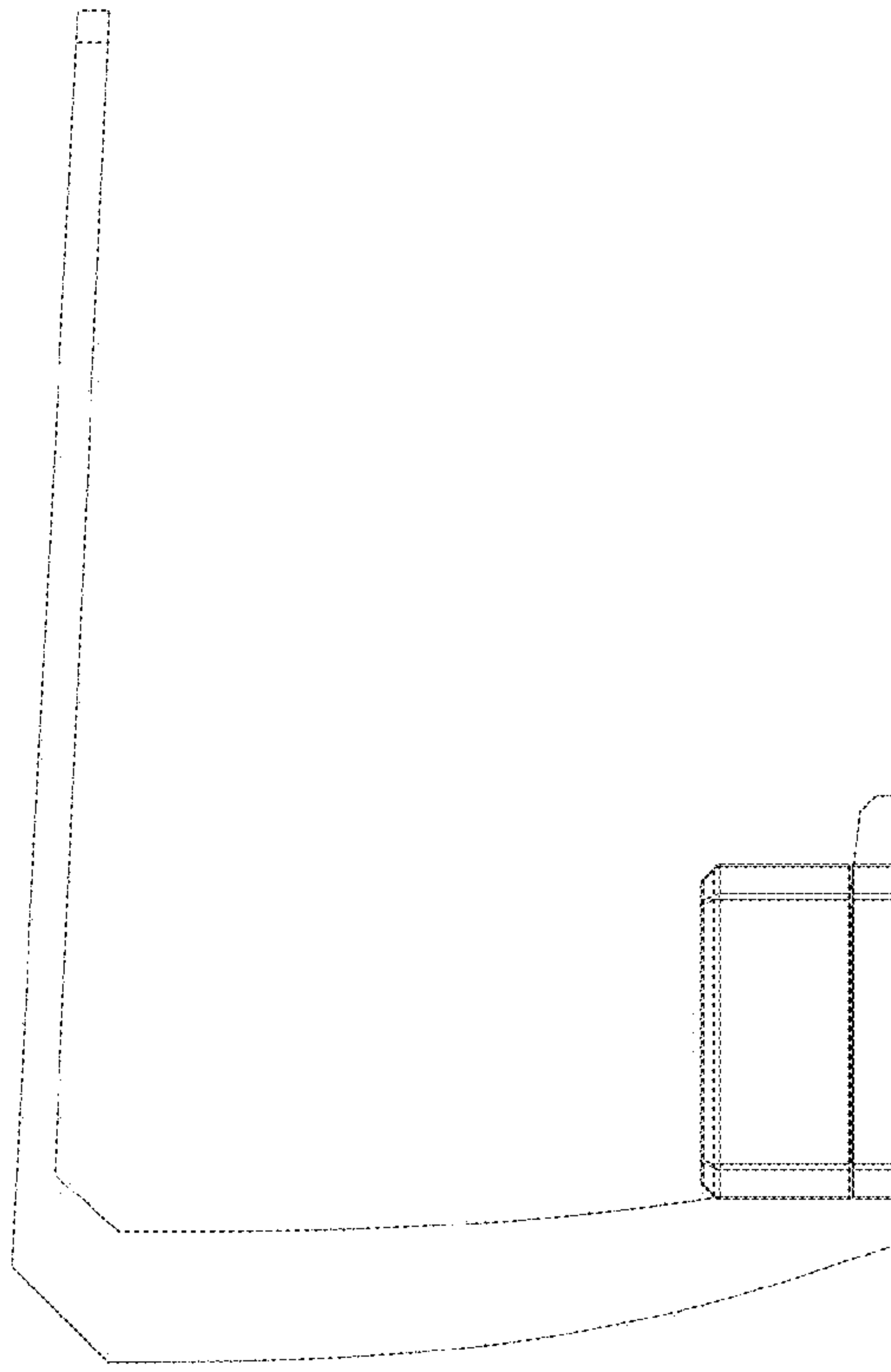


FIG - 6

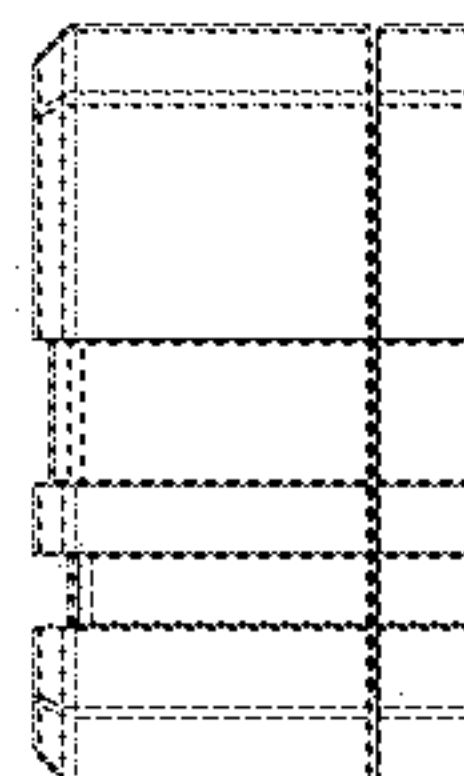


FIG - 5

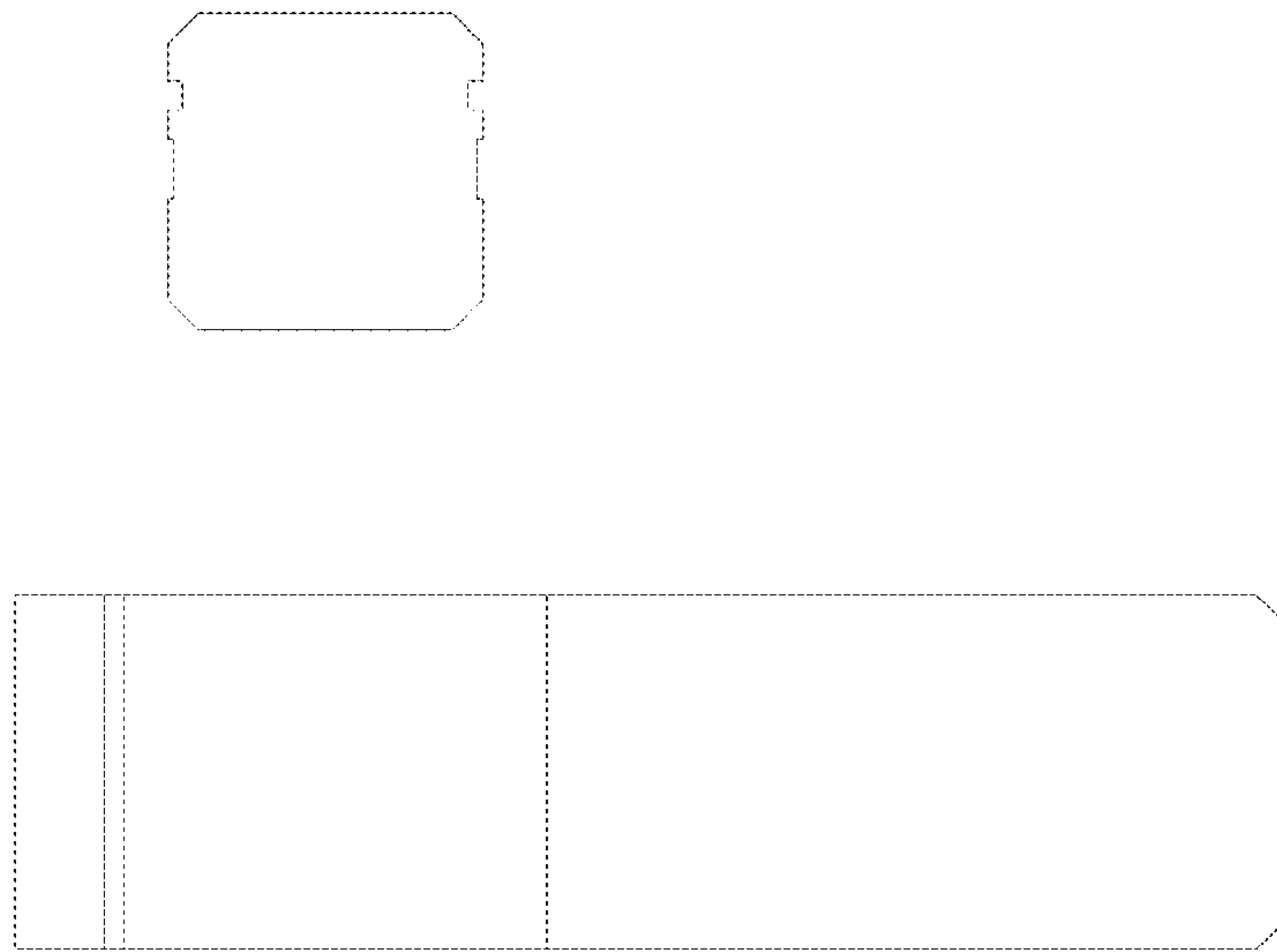


FIG - 8

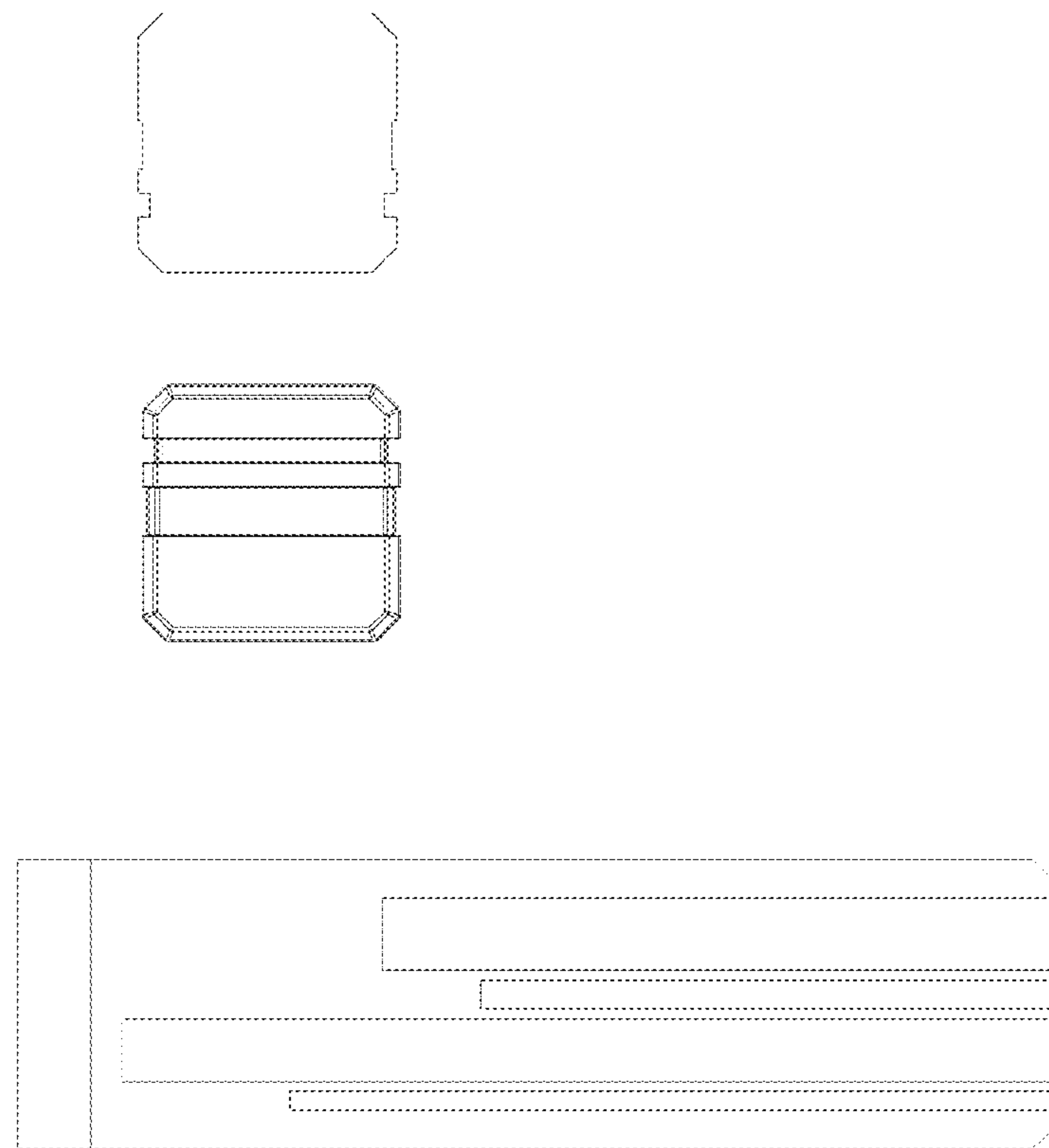


FIG - 7

