



US00D963802S

(12) **United States Design Patent**
Homesombath

(10) **Patent No.:** **US D963,802 S**

(45) **Date of Patent:** **** Sep. 13, 2022**

(54) **FAUCET**

FOREIGN PATENT DOCUMENTS

(71) Applicant: **DELTA FAUCET COMPANY**,
Indianapolis, IN (US)

CA 182967 * 8/2019
CN 302280661 * 1/2013
IN 306865-0001 * 3/2019

(72) Inventor: **Josh Homesombath**, Milwaukee, WI
(US)

OTHER PUBLICATIONS

(73) Assignee: **DELTA FAUCET COMPANY**,
Indianapolis, IN (US)

Becola Bathroom Sink Waterfall Faucet, first available Aug. 28, 2020[online], [site visited Jun. 14, 2022]. Available from internet, URL:<<https://www.amazon.com/dp/B08GPYF86Q>> (Year: 2020).*

(**) Term: **15 Years**

* cited by examiner

(21) Appl. No.: **29/774,844**

Primary Examiner — David G Muller

(22) Filed: **Mar. 19, 2021**

Assistant Examiner — Jamaal Rasheed

(51) **LOC (13) Cl.** **23-01**

(74) *Attorney, Agent, or Firm* — Nirav D. Parikh; Jeffrey L. Doyle

(52) **U.S. Cl.**

USPC **D23/242**

(58) **Field of Classification Search**

USPC D23/238–244, 252, 254–255, 257, 499;
D7/398

CPC F16K 31/602; F16K 31/605; F16K 31/607;
E03C 1/0412

See application file for complete search history.

(57) **CLAIM**

The ornamental design for a faucet, as shown and described.

DESCRIPTION

FIG. 1 is a front perspective view of a faucet showing my new design;

FIG. 2 is a rear perspective view thereof;

FIG. 3 is a front elevational view thereof;

FIG. 4 is a left side view thereof;

FIG. 5 is a rear view thereof;

FIG. 6 is a right side view thereof;

FIG. 7 is a top plan view thereof; and,

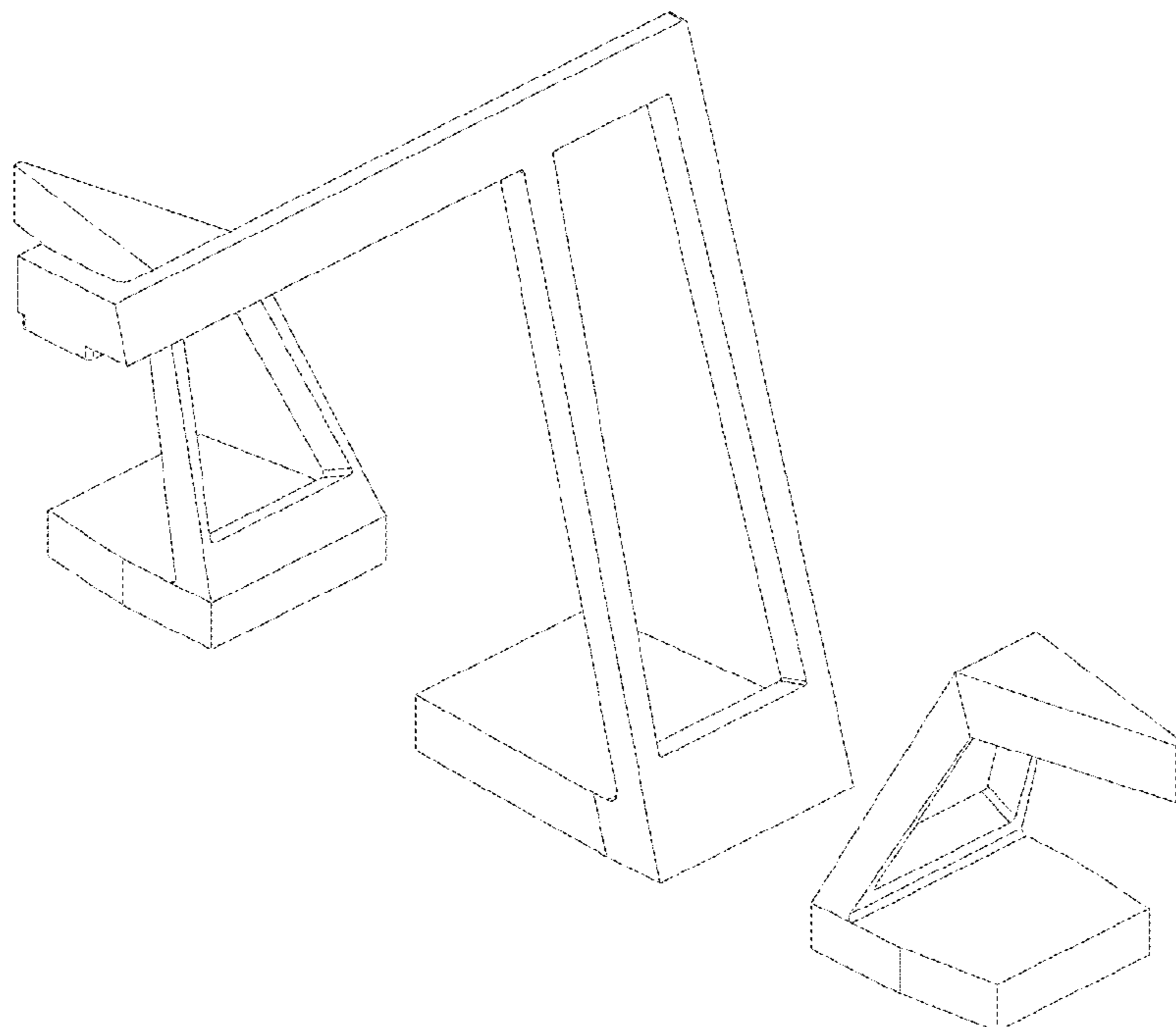
FIG. 8 is a bottom view thereof.

1 Claim, 4 Drawing Sheets

(56) **References Cited**

U.S. PATENT DOCUMENTS

D511,201 S * 11/2005 Kulig D23/238
D759,212 S * 6/2016 Eads D23/255
D848,573 S * 5/2019 Eads D23/238
D852,326 S * 6/2019 McKeone D23/242
D855,779 S * 8/2019 McKeone D23/255
D855,780 S * 8/2019 McKeone D23/255
D923,754 S * 6/2021 Seum D23/255
D926,939 S * 8/2021 Mamaril D23/242
2019/0264825 A1 * 8/2019 Rosko E03C 1/048



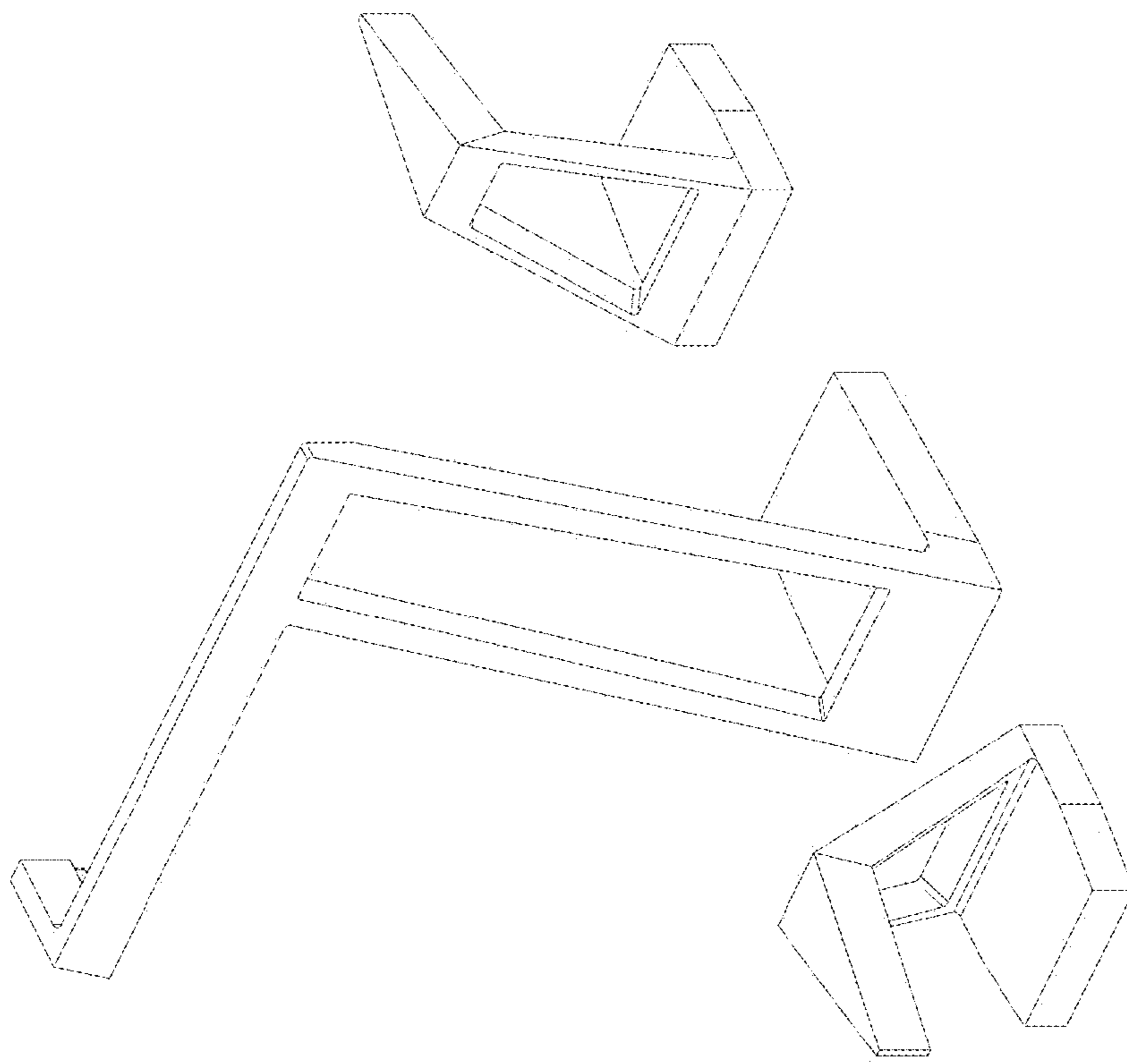


FIG - 2

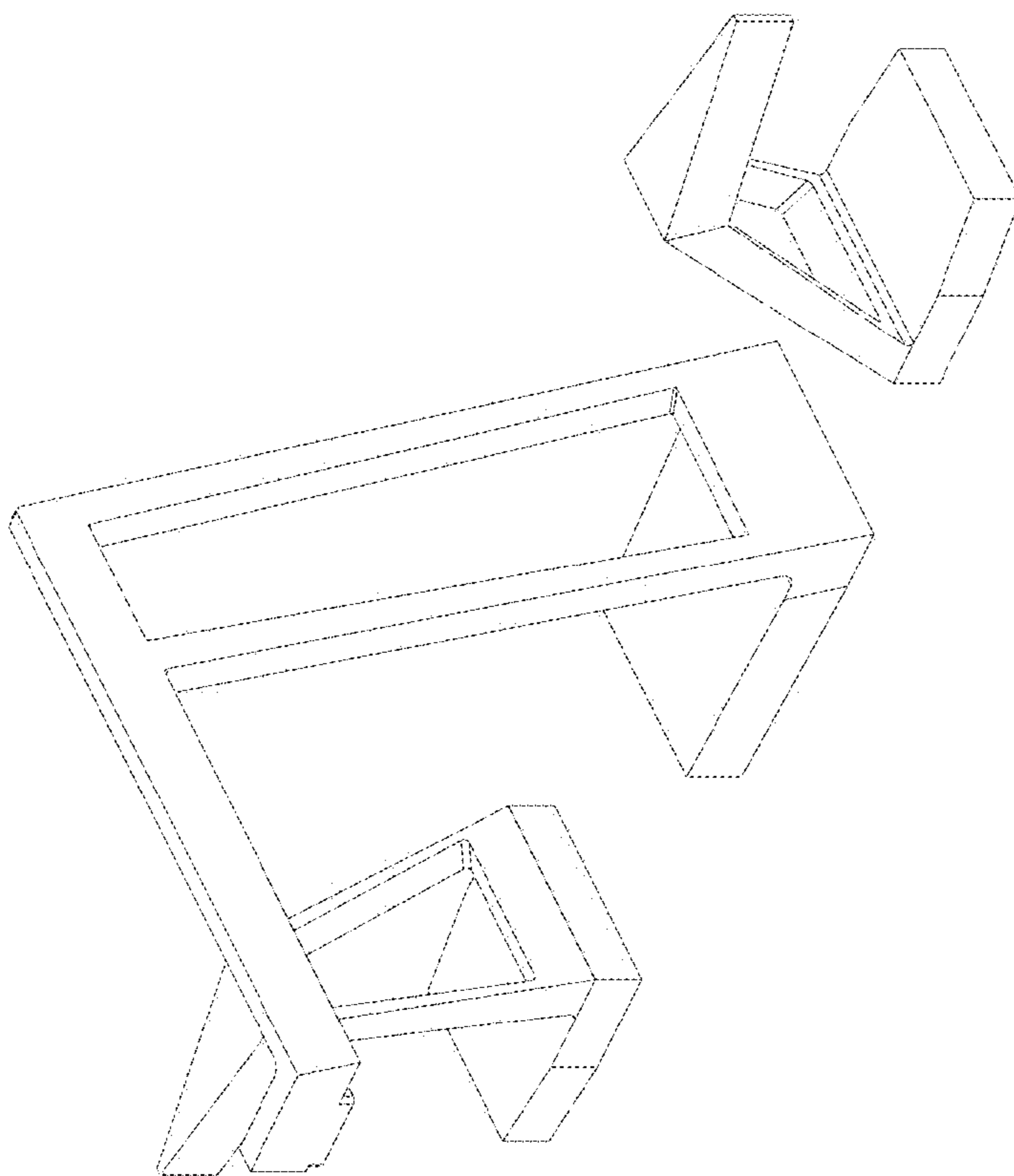


FIG - 1

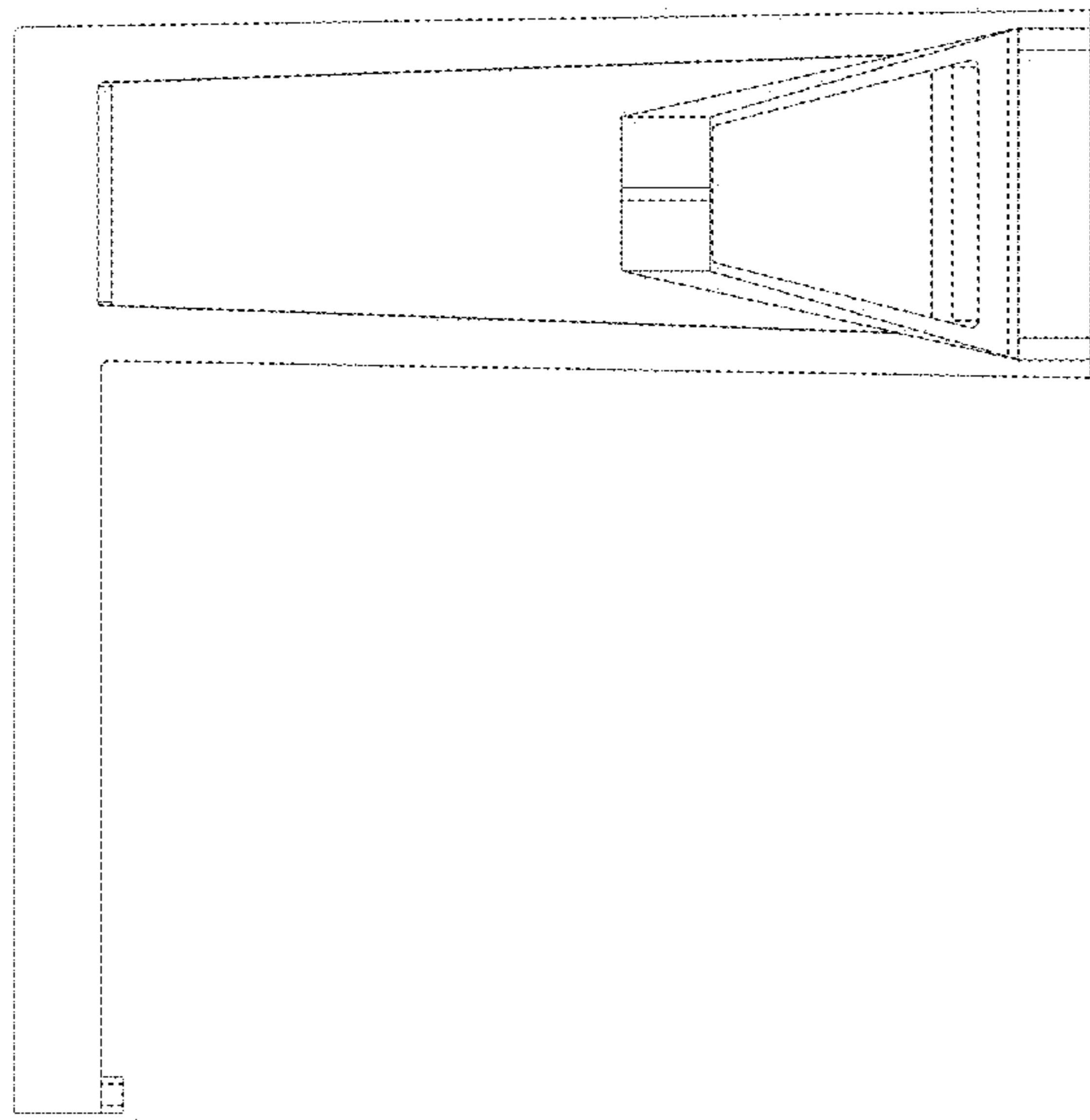


FIG - 4

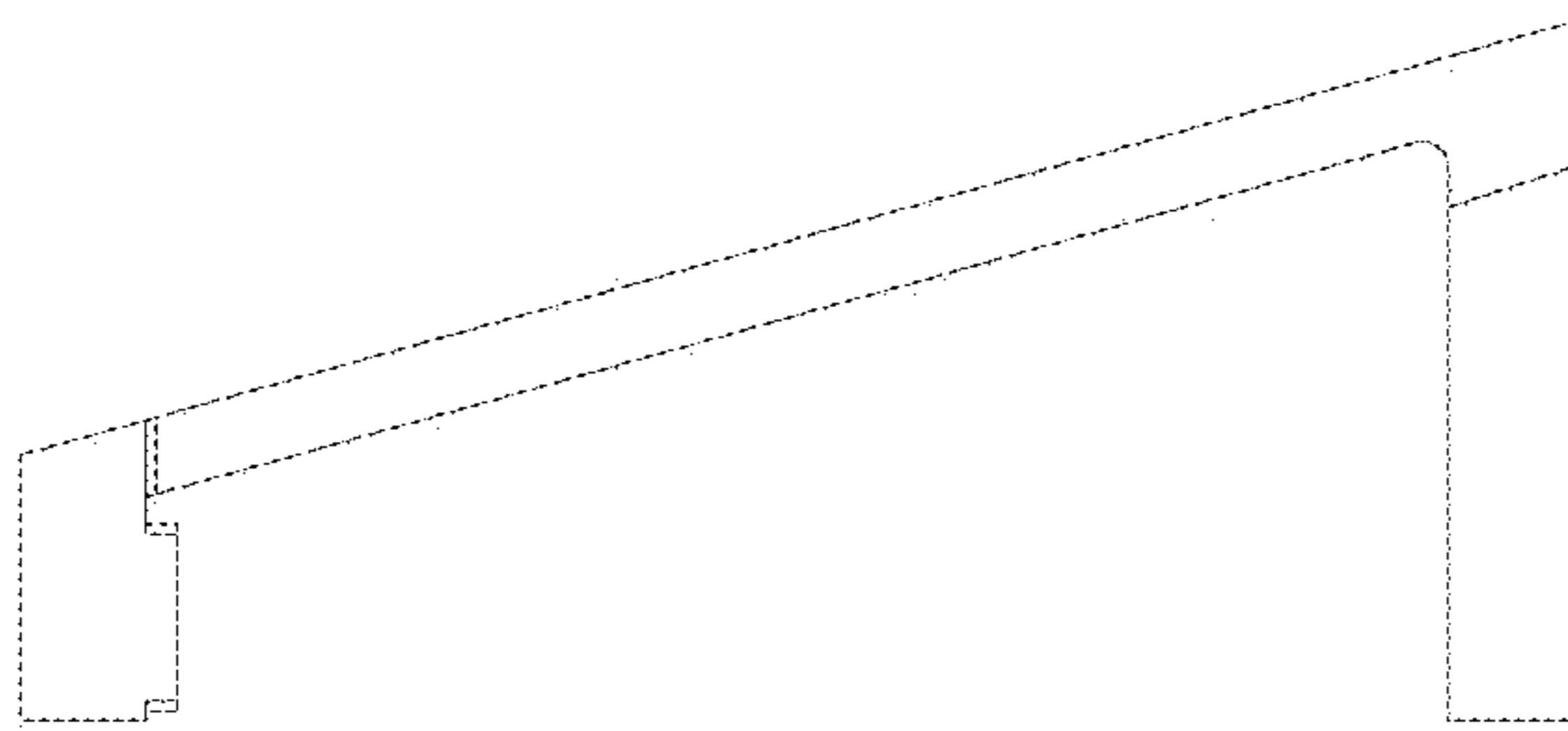
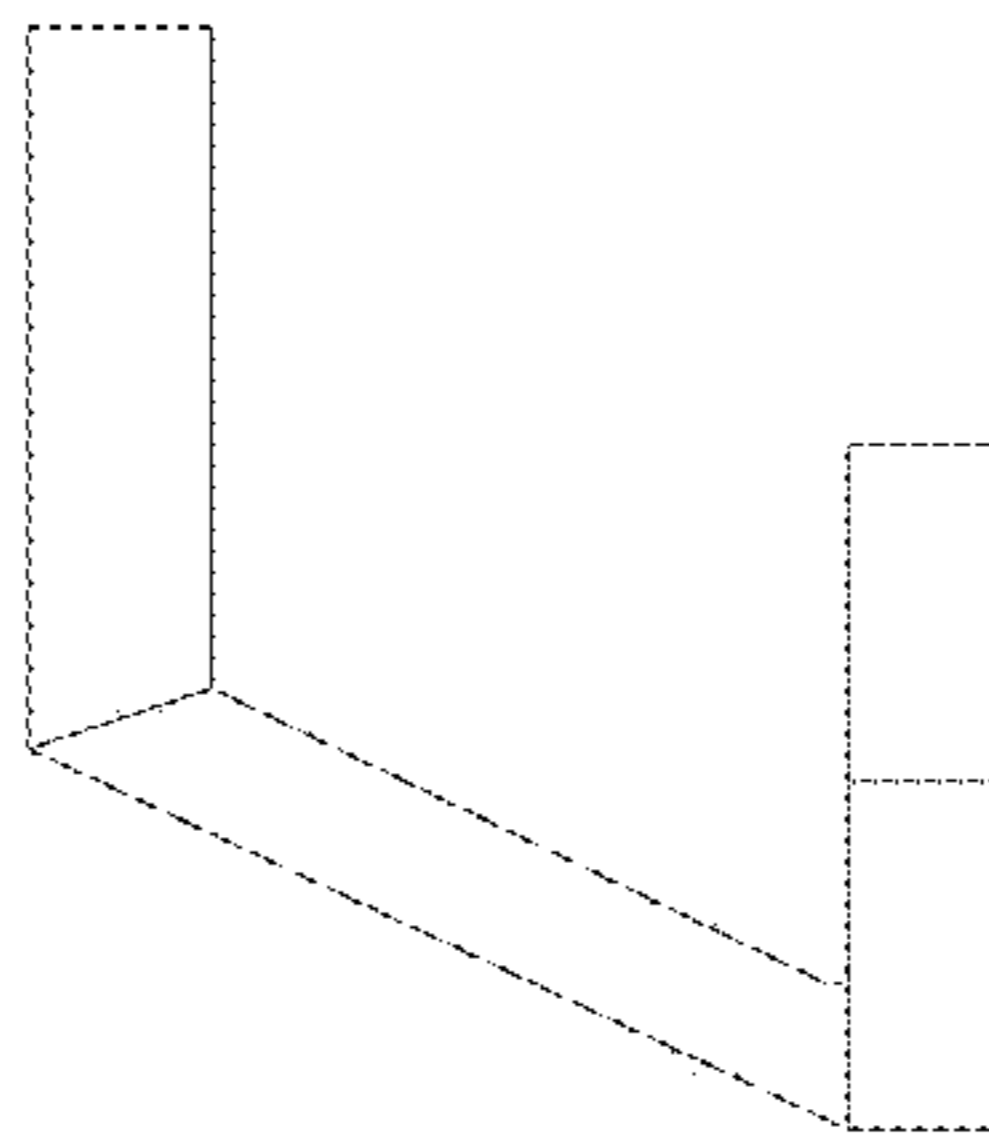
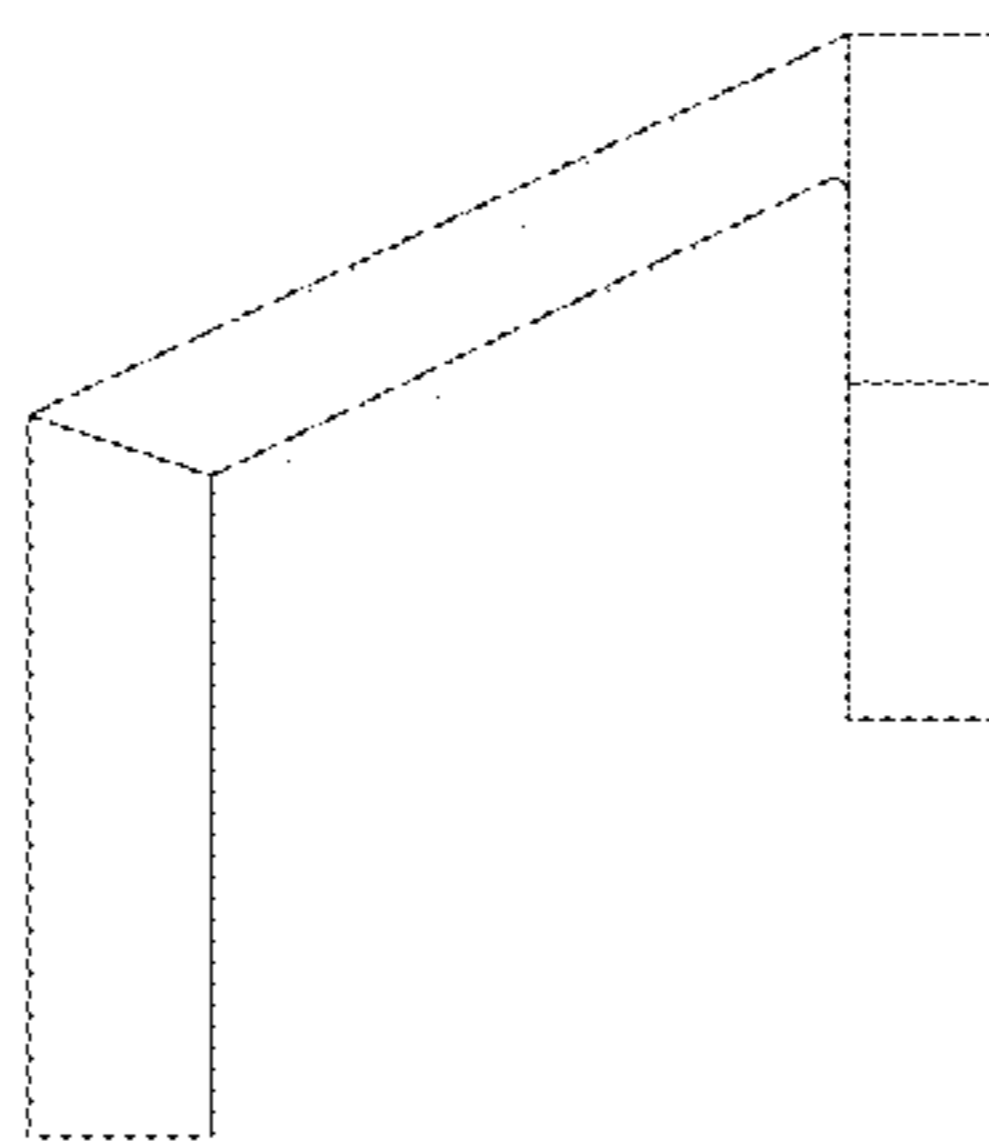


FIG - 3



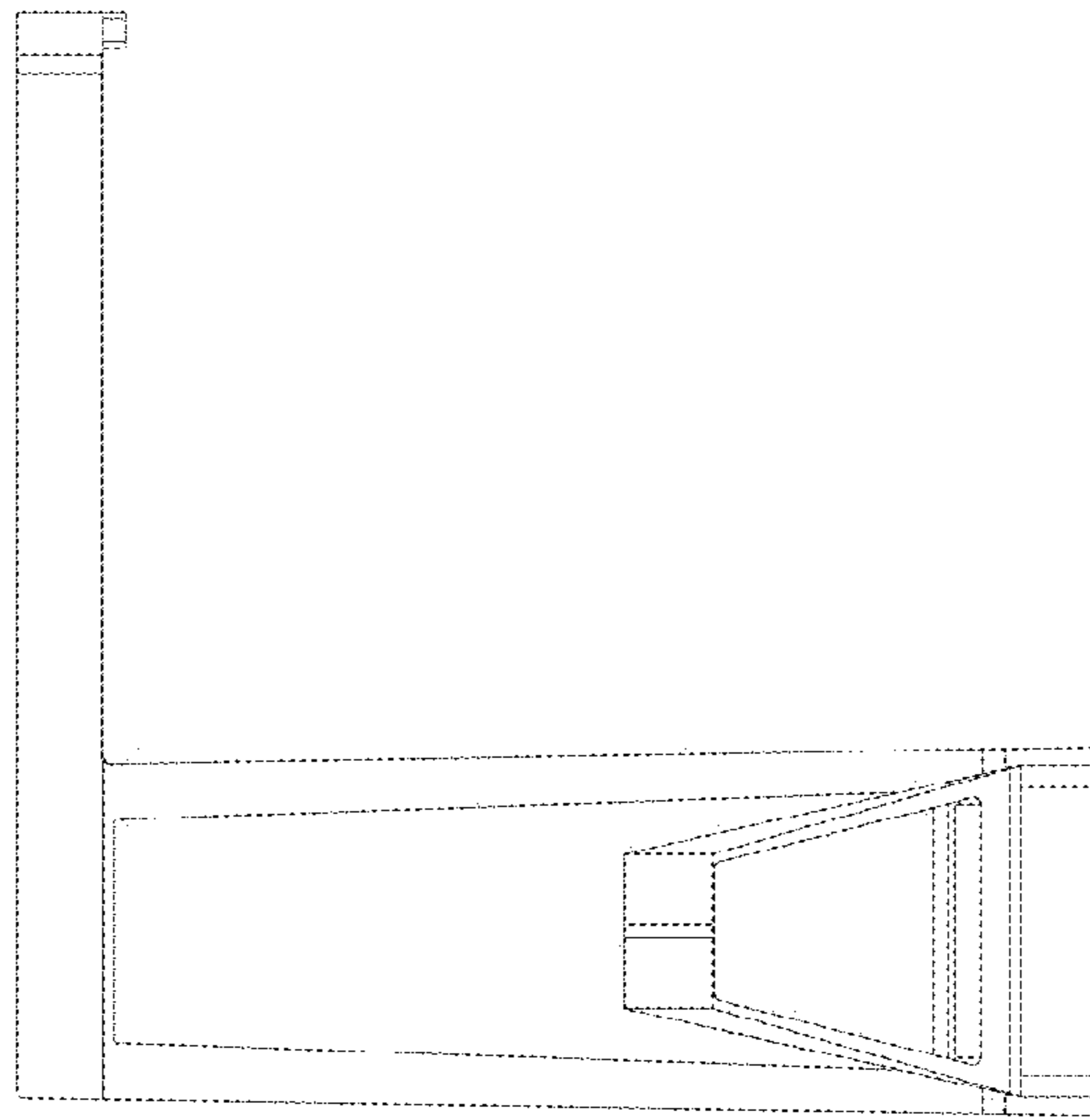


FIG - 6

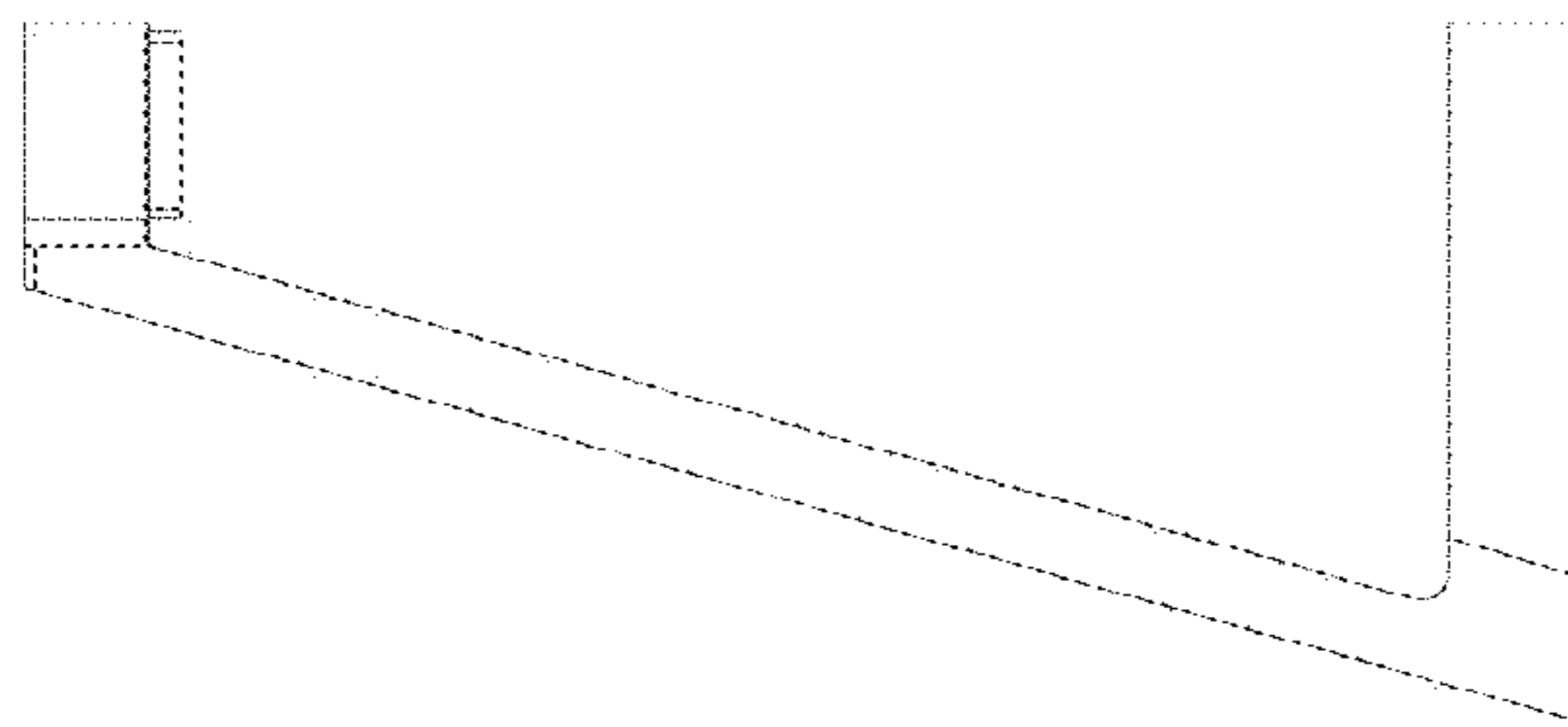
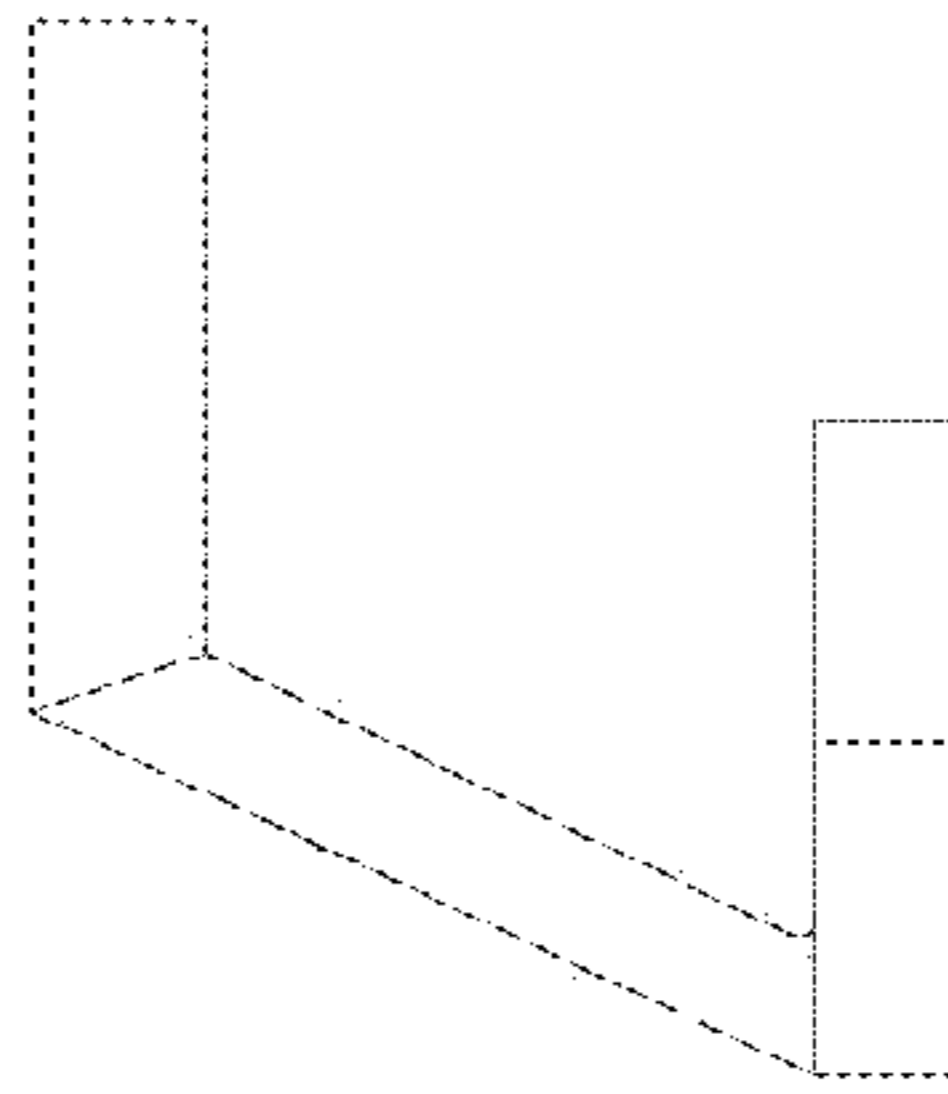
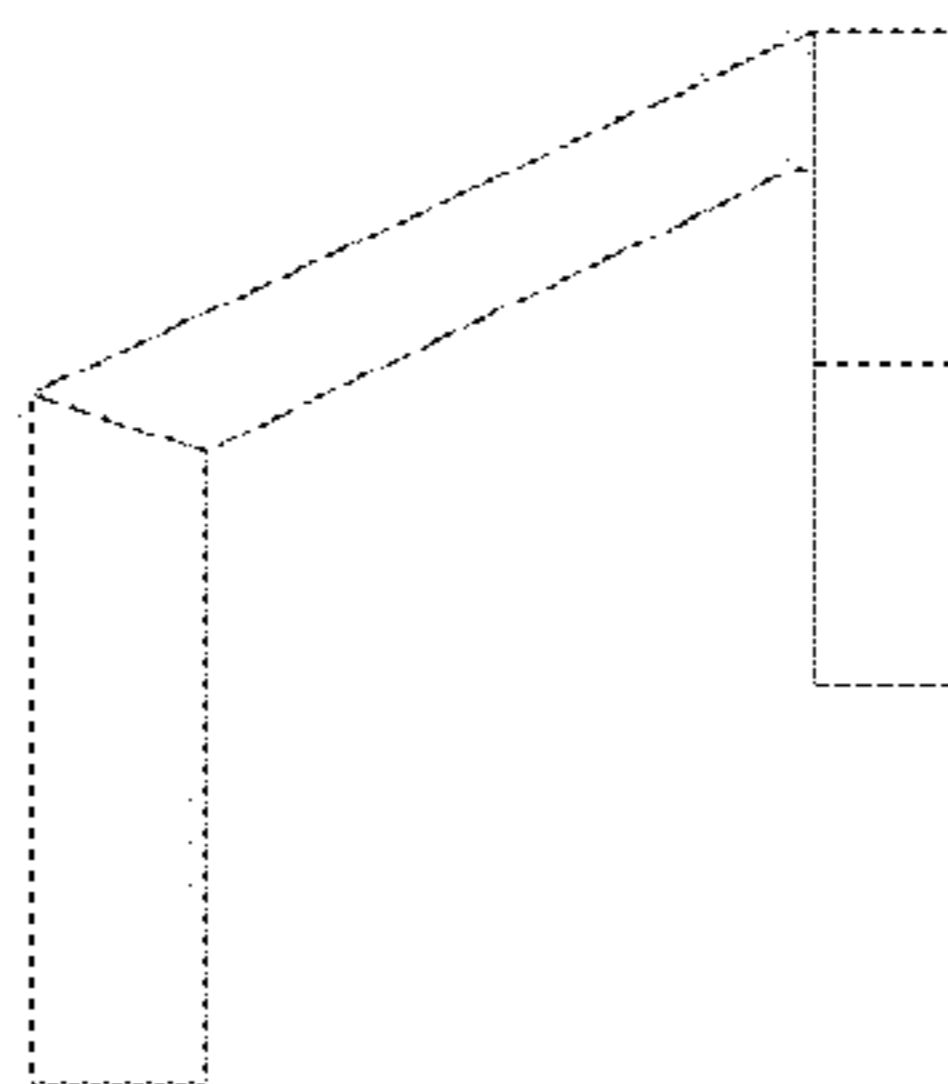


FIG - 5



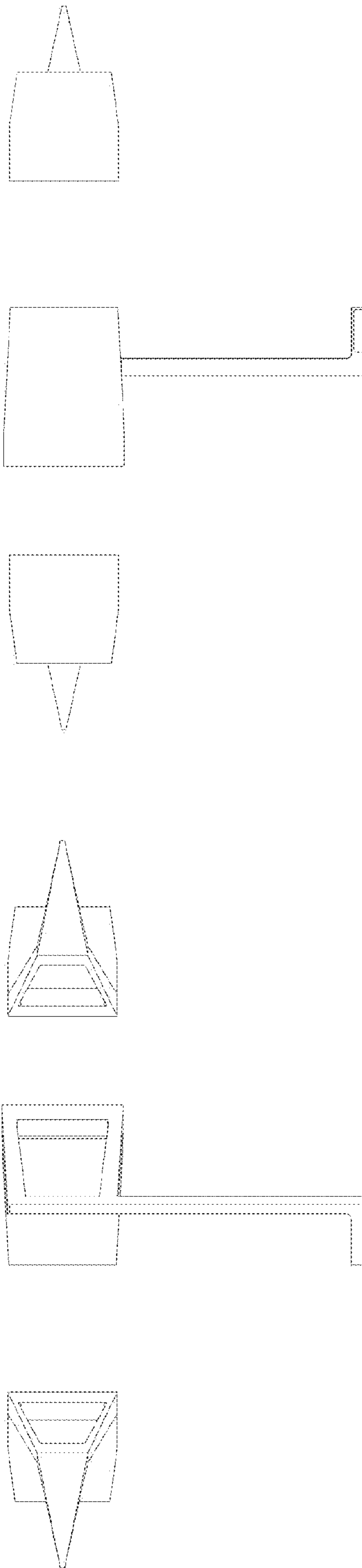


FIG - 8

FIG - 7