



US00D963797S

(12) **United States Design Patent**  
**Yang et al.**

(10) **Patent No.:** **US D963,797 S**  
(45) **Date of Patent:** **\*\* Sep. 13, 2022**

(54) **SPRAY GUN**

(71) Applicant: **Zhejiang Prulde Electric Appliance Co., Ltd., Zhejiang (CN)**

(72) Inventors: **Weiming Yang, Zhejiang (CN); Ting Han, Zhejiang (CN)**

(73) Assignee: **Zhejiang Prulde Electric Appliance Co., Ltd., Zhejiang (CN)**

(\*\*) Term: **15 Years**

(21) Appl. No.: **29/756,187**

(22) Filed: **Oct. 27, 2020**

(30) **Foreign Application Priority Data**

Apr. 27, 2020 (CN) ..... 202030180516.5

(51) **LOC (13) Cl.** ..... **23-01**

(52) **U.S. Cl.**  
USPC ..... **D23/226**

(58) **Field of Classification Search**  
USPC ..... D23/213, 223, 225, 226  
CPC ..... B05B 1/16; B05B 1/1618; B05B 7/0018;  
B05B 7/02; B05B 7/24; B05B 7/2408;  
B05B 7/2478; B05B 9/01; B05B 9/0894;  
B05B 12/002

See application file for complete search history.

(56) **References Cited**

**U.S. PATENT DOCUMENTS**

- D519,603 S \* 4/2006 Schumann ..... D23/225
- 7,360,720 B2\* 4/2008 Gohring ..... B05B 7/2416  
239/315
- D633,176 S \* 2/2011 Blenkush ..... D23/225
- D651,691 S \* 1/2012 Muetzel ..... D23/225
- D657,846 S \* 4/2012 Crawley ..... D23/225
- D664,628 S \* 7/2012 Zhou ..... D23/225
- D693,428 S \* 11/2013 Tullney ..... D23/225

- D713,500 S \* 9/2014 Muhl ..... D23/225
- D723,659 S \* 3/2015 Tullney ..... D23/225
- D757,897 S \* 5/2016 Tullney ..... D23/223
- D759,199 S \* 6/2016 Wrobel ..... D23/225
- 9,480,997 B2\* 11/2016 Gang ..... B05B 7/0823
- 9,555,430 B2\* 1/2017 Sulzer ..... B05B 7/2494
- D796,004 S \* 8/2017 Yang ..... D23/225
- D809,099 S \* 1/2018 Tullney ..... D23/225
- D857,162 S \* 8/2019 Dawson ..... D23/225
- 2005/0150521 A1\* 7/2005 Jones ..... B44D 3/006  
134/169 C
- 2012/0080541 A1\* 4/2012 Schnell ..... B05B 1/3026  
239/526

(Continued)

**OTHER PUBLICATIONS**

Paint Sprayer Neu Master, Nov. 15, 2021, Amazon, site visited Mar. 28, 2022: <https://www.amazon.com/dp/B09LTWYV91/> (Year: 2021).\*

(Continued)

*Primary Examiner* — Jack Reickel  
*Assistant Examiner* — Bobby W Jones, II  
(74) *Attorney, Agent, or Firm* — JCIP Global Inc.

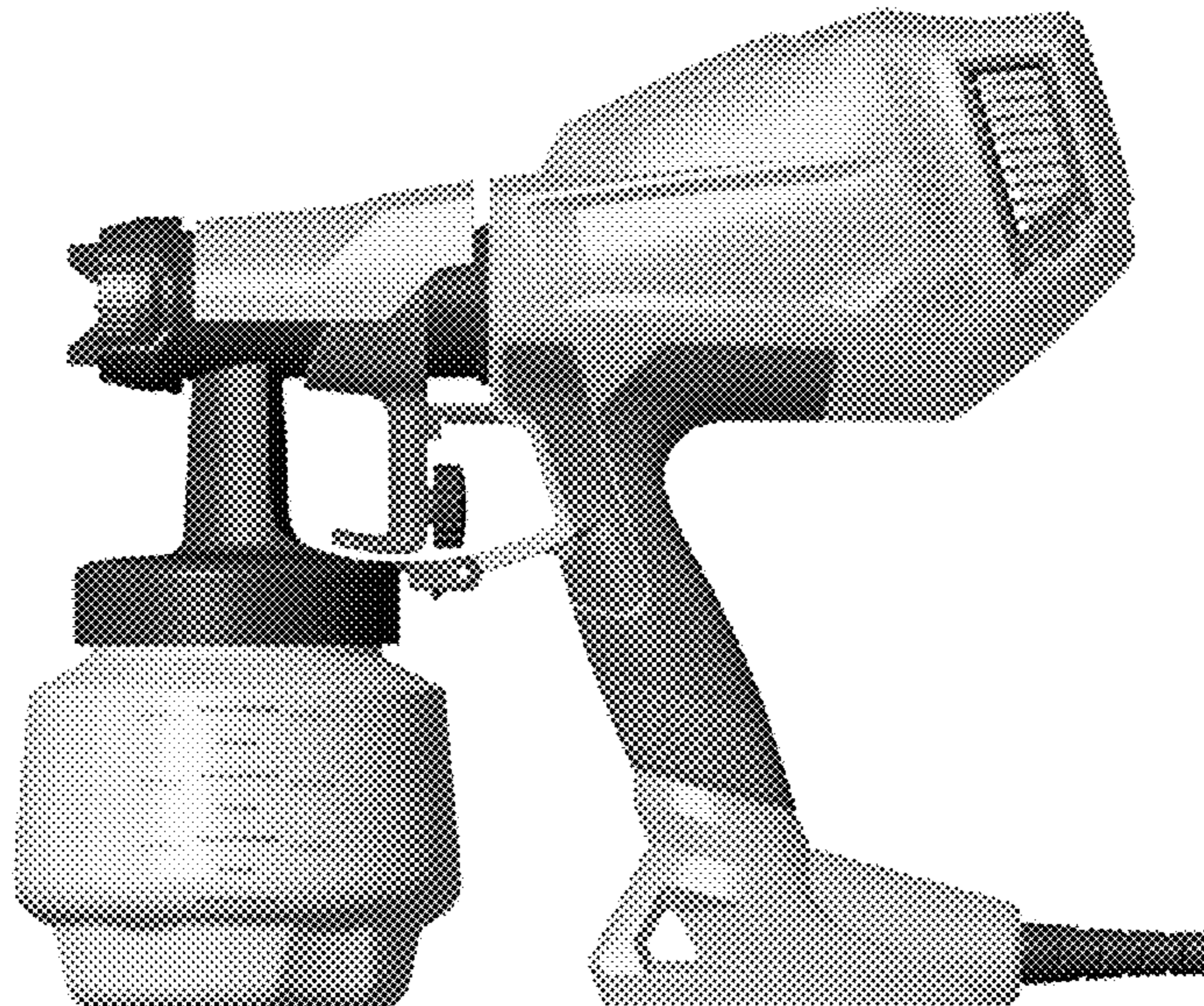
(57) **CLAIM**

The ornamental design for a spray gun, as shown and described.

**DESCRIPTION**

FIG. 1 is a perspective view of a spray gun showing our new design;  
FIG. 2 is a front view thereof;  
FIG. 3 is a rear view thereof;  
FIG. 4 is a left side view thereof;  
FIG. 5 is a right side view thereof;  
FIG. 6 is a top view thereof; and,  
FIG. 7 is a bottom view thereof.  
The broken line(s) define the bounds of the claimed design and form no part thereof.

**1 Claim, 7 Drawing Sheets**



(56)

**References Cited**

U.S. PATENT DOCUMENTS

2012/0305672 A1\* 12/2012 Pan ..... B05B 7/2416  
239/526  
2013/0119156 A1\* 5/2013 Munn ..... B05B 15/65  
137/315.01  
2013/0256426 A1\* 10/2013 Becker ..... B05B 15/534  
137/800  
2015/0190826 A1\* 7/2015 Gang ..... B05B 7/2472  
239/304  
2016/0332178 A1\* 11/2016 Becker ..... B05B 9/0403  
2017/0304853 A1\* 10/2017 Kraye ..... B05B 7/2416  
2019/0356253 A1\* 11/2019 Kruzel ..... B05B 9/0861

OTHER PUBLICATIONS

Wagner Spraytech 0529010 FLEXiO 590, Sep. 20, 2013, Amazon,  
site visited Mar. 28, 2022: (Year: 2013).\*

Scuddies Paint Sprayer, Mar. 8, 2018, Amazon, site visited Mar. 28,  
2022: <https://www.amazon.com/dp/B07BB2WJF4/> (Year: 2018).\*

\* cited by examiner





FIG.1

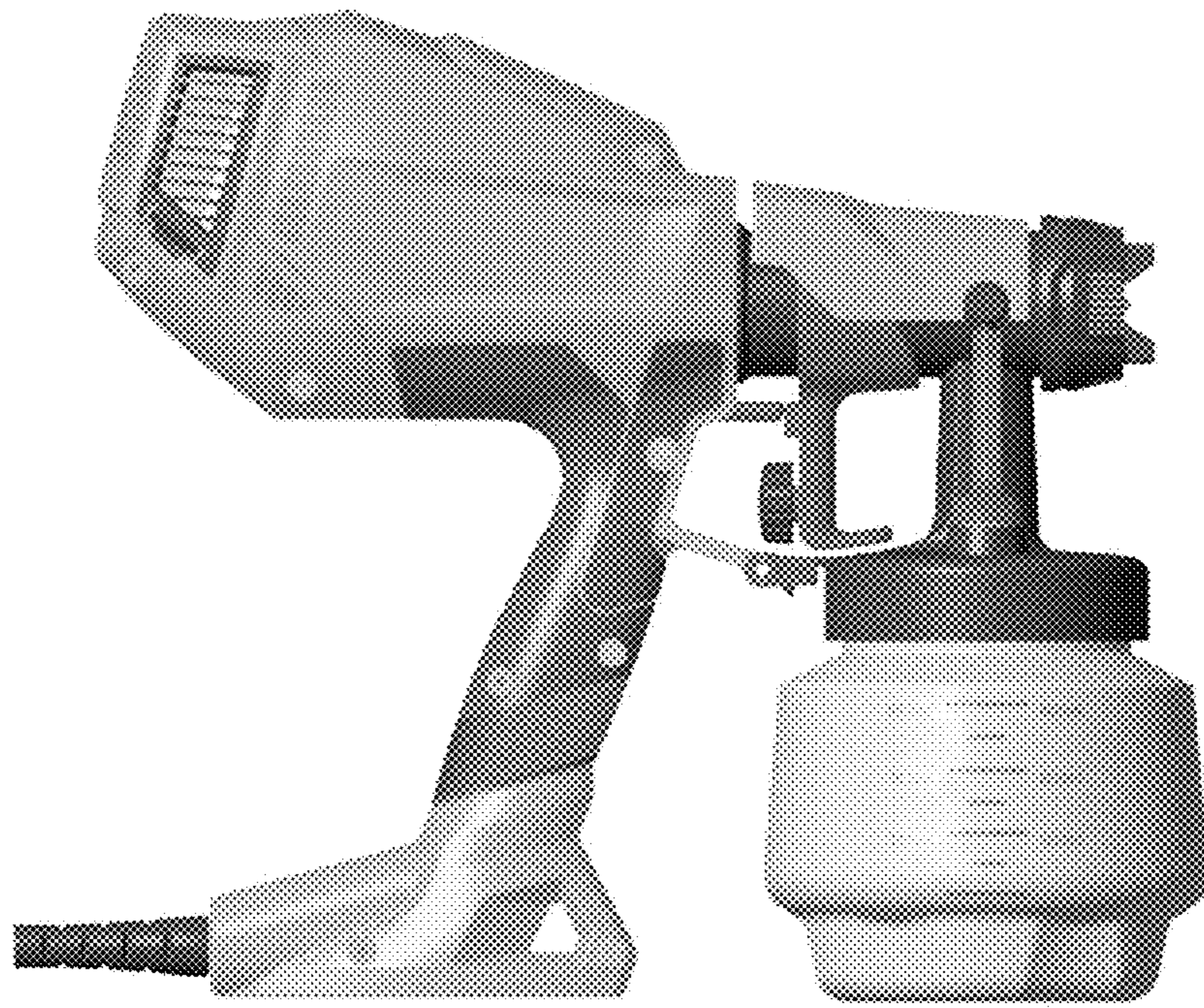


FIG.2





FIG.3

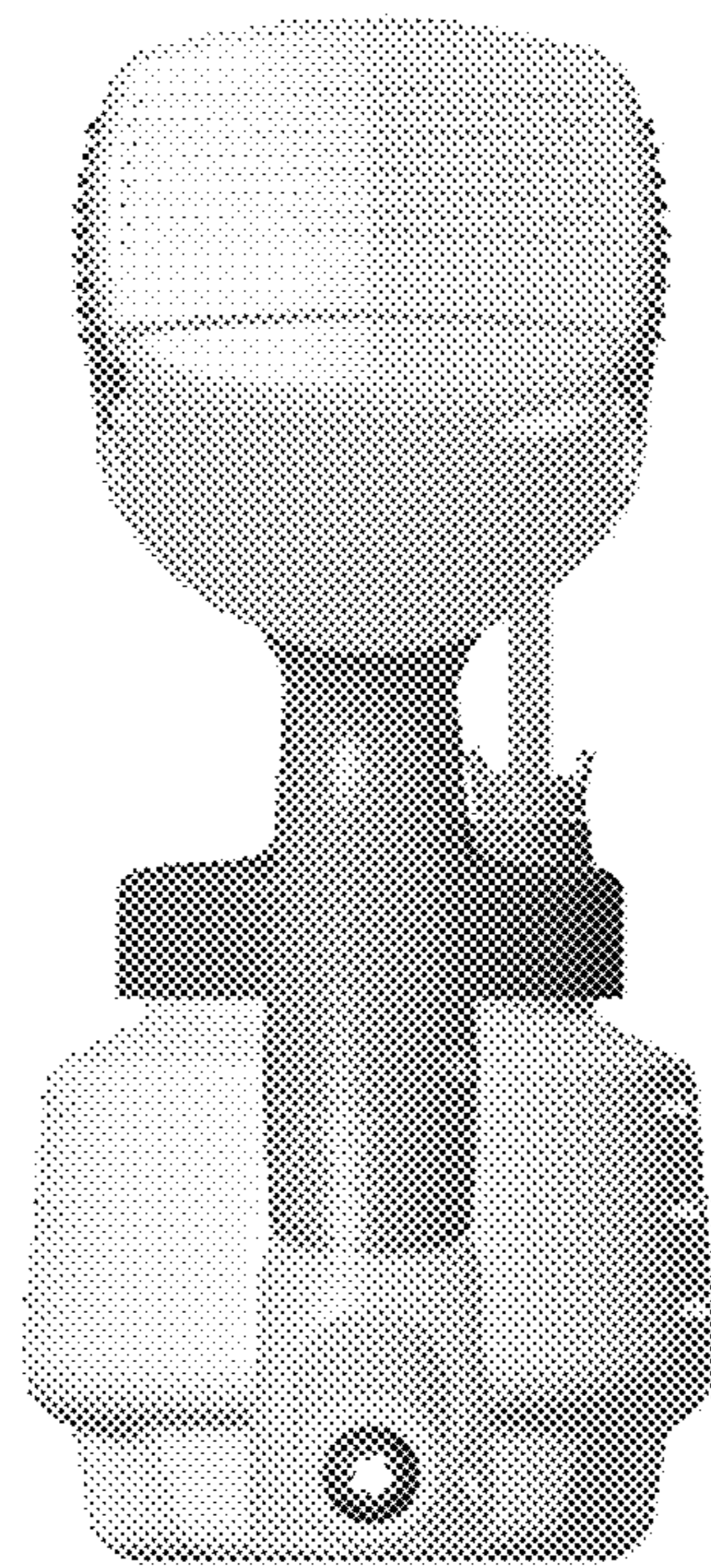


FIG.4

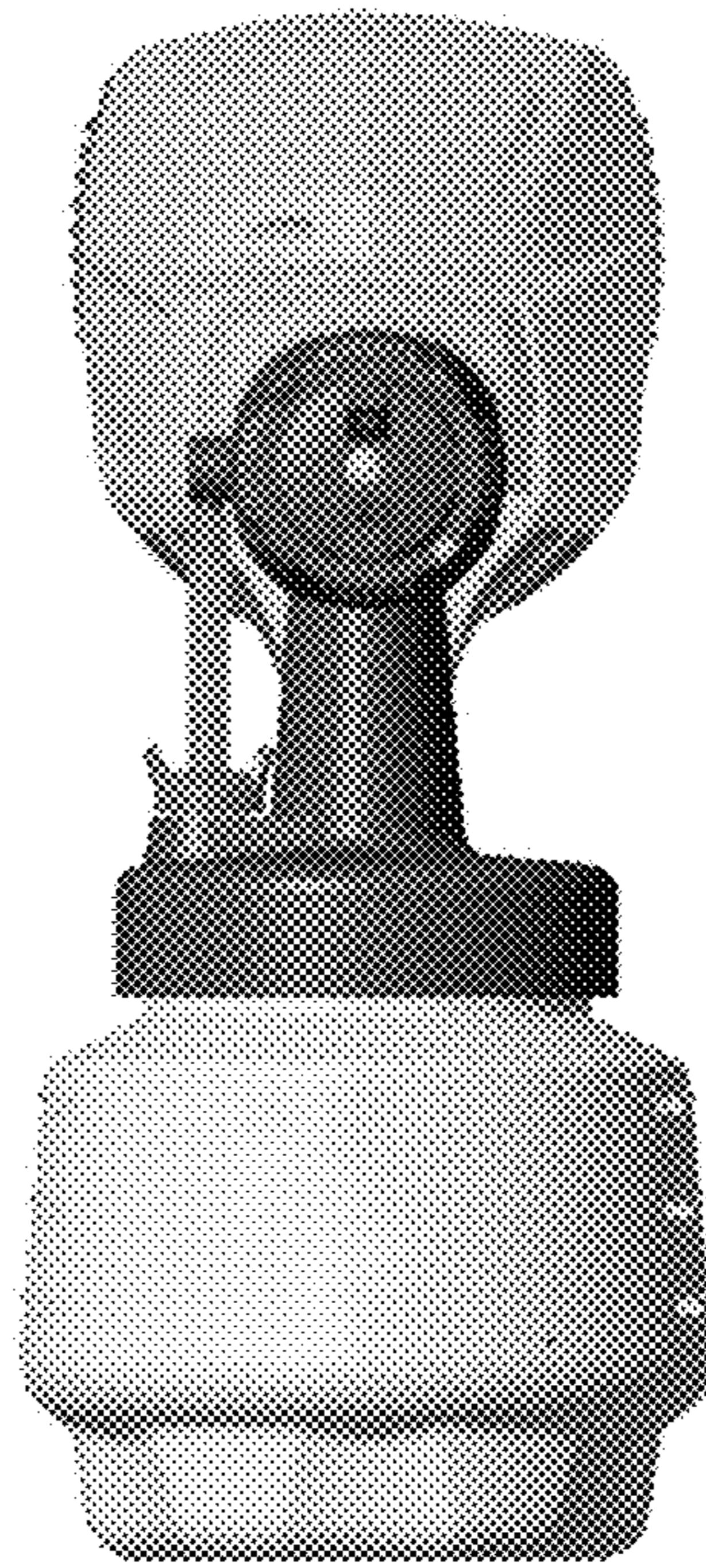


FIG.5

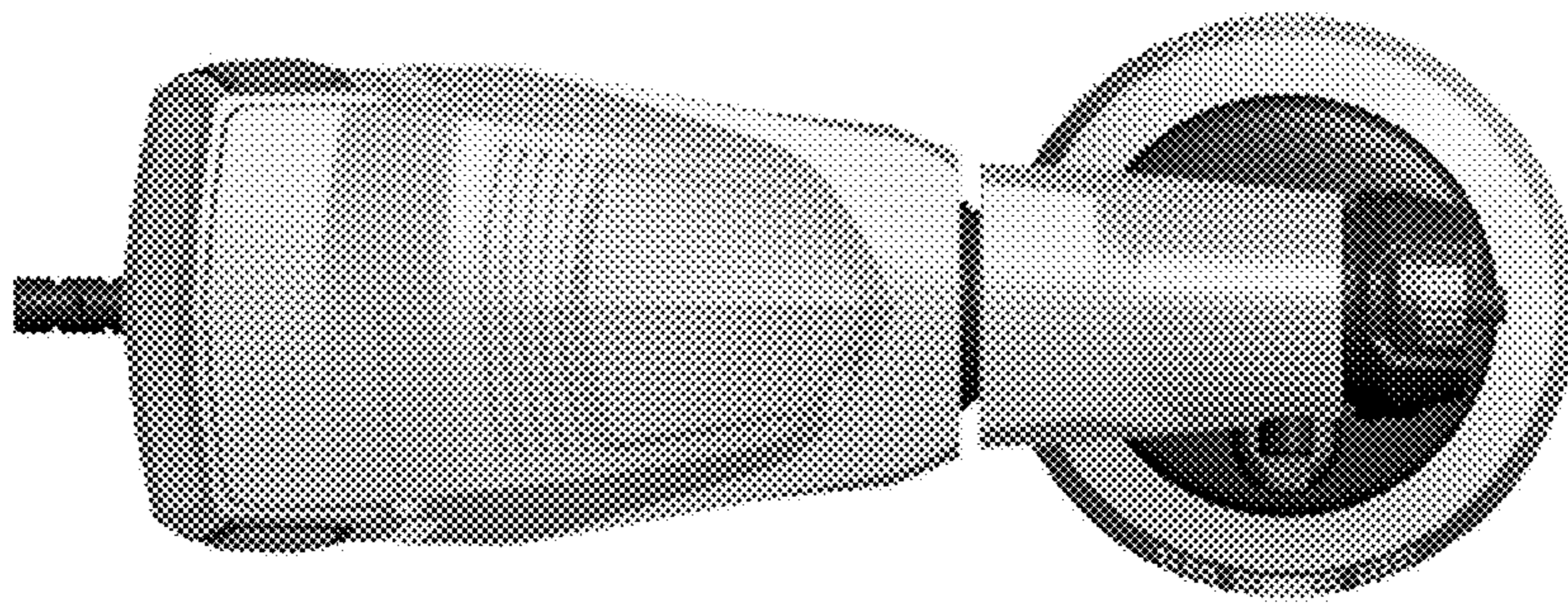


FIG.6



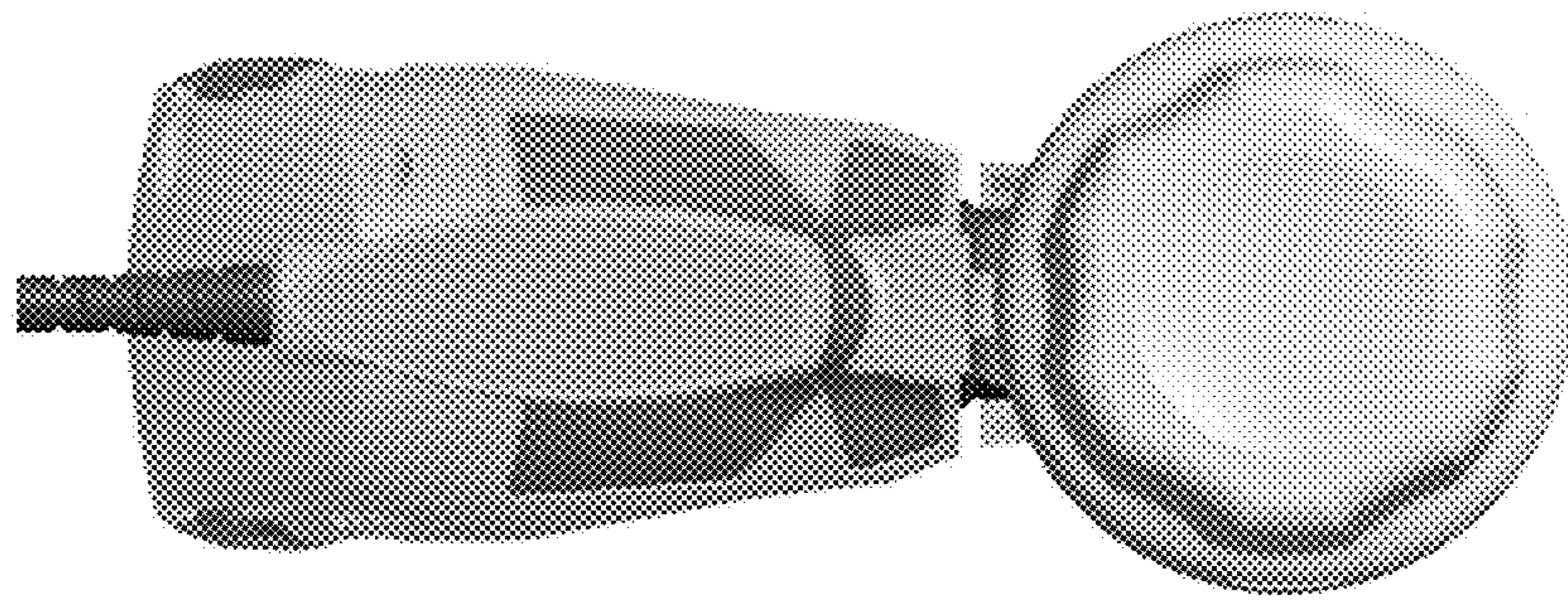


FIG.7