

US00D963796S

(12) **United States Design Patent**
Richter

(10) **Patent No.:** **US D963,796 S**

(45) **Date of Patent:** **** Sep. 13, 2022**

(54) **FAN AIR LEVER FOR A SPRAY GUN**

Primary Examiner — Jack Reickel

(71) Applicant: **Graco Minnesota Inc.**, Minneapolis, MN (US)

Assistant Examiner — Bobby W Jones, II

(74) *Attorney, Agent, or Firm* — Kinney & Lange, P.A.

(72) Inventor: **Mark C. Richter**, River Falls, WI (US)

(57) **CLAIM**

(73) Assignee: **Graco Minnesota Inc.**, Minneapolis, MN (US)

The ornamental design for a fan air lever for a spray gun, as shown and described.

(**) Term: **15 Years**

DESCRIPTION

(21) Appl. No.: **29/750,748**

(22) Filed: **Sep. 16, 2020**

(51) **LOC (13) Cl.** **23-01**

(52) **U.S. Cl.**
USPC **D23/226**

(58) **Field of Classification Search**
USPC D23/213, 223, 225, 226
(Continued)

(56) **References Cited**

U.S. PATENT DOCUMENTS

1,940,268 A 12/1933 Peterson
2,626,122 A 1/1953 Lammiman
(Continued)

FOREIGN PATENT DOCUMENTS

CN 301899477 5/2012
CN 302452189 6/2013
(Continued)

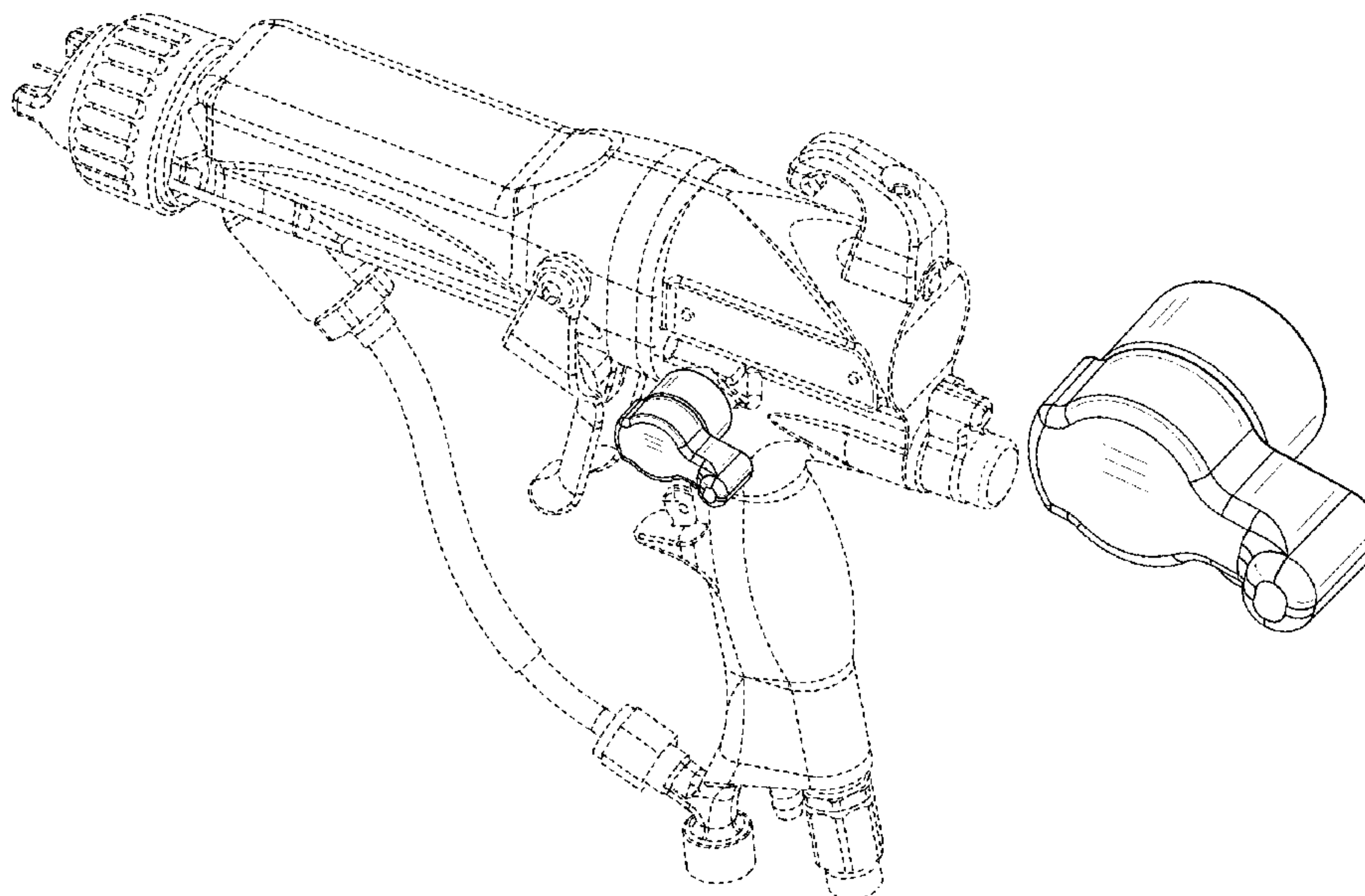
OTHER PUBLICATIONS

Wagner GM5000 Electrostatic Spray Training, Jun. 29, 2013, YouTube, site visited Mar. 21, 2022: <https://www.youtube.com/watch?v=7K-gHNjOJkM> (Year: 2013).*

(Continued)

FIG. 1 is a first perspective view of a fan air lever for a spray gun;
FIG. 2 is a second perspective view of the fan air lever for a spray gun;
FIG. 3 is a front elevational view of the fan air lever for a spray gun;
FIG. 4 is a left side view of the fan air lever for a spray gun;
FIG. 5 is a right side view of the fan air lever for a spray gun;
FIG. 6 is a top plan side view the fan air lever for a spray gun;
FIG. 7 is a bottom plan view the fan air lever for a spray gun;
FIG. 8 is a perspective view of the fan air lever for a spray gun;
FIG. 9 is a front elevational view of the fan air lever for a spray gun;
FIG. 10 is a left side view of the fan air lever for a spray gun;
FIG. 11 is a right side view of the fan air lever for a spray gun;
FIG. 12 is a top plan side view the fan air lever for a spray gun; and,
FIG. 13 is a bottom plan view the fan air lever for a spray gun.
Broken lines in FIGS. 2, 4, 7, 10, and 13 shown on the fan air lever for a spray gun represent portions of the fan air lever for a spray gun and form no part of the claimed design. The other broken lines in FIGS. 1-7 are for environmental purposes only and form no part of the claimed design.

1 Claim, 7 Drawing Sheets



(58) **Field of Classification Search**

CPC B05B 1/16; B05B 1/1618; B05B 7/0018;
 B05B 7/02; B05B 7/24; B05B 7/2408;
 B05B 7/2478; B05B 9/01; B05B 9/0894;
 B05B 12/002

See application file for complete search history.

(56) **References Cited**

U.S. PATENT DOCUMENTS

2,708,095 A 5/1955 Mitchell
 4,228,957 A 10/1980 Davini
 4,544,100 A 10/1985 Simashkevich et al.
 4,637,551 A * 1/1987 Seeger, Jr. B05B 15/16
 239/288.5
 D297,726 S 9/1988 Araki
 D313,064 S * 12/1990 Lind D23/226
 D314,421 S * 2/1991 Tajima D23/226
 5,370,314 A * 12/1994 Gebauer B05B 9/01
 239/526
 D356,855 S * 3/1995 Gebauer D23/223
 D376,637 S * 12/1996 Kieffer D23/223
 RE35,769 E * 4/1998 Grime B05B 7/1218
 239/528
 D405,159 S * 2/1999 Kieffer D23/226
 5,893,522 A * 4/1999 Kieffer B05B 15/534
 239/600
 6,092,740 A * 7/2000 Liu B05B 7/2478
 285/190
 6,328,223 B1 * 12/2001 Holt B05B 9/0409
 239/581.1
 D457,599 S * 5/2002 Karwoski D23/226
 D538,887 S * 3/2007 Huang D23/226
 D574,462 S 8/2008 Huang
 D608,858 S 1/2010 Baltz et al.
 D668,919 S 10/2012 Teng
 8,590,817 B2 * 11/2013 Baltz B05B 5/03
 239/707
 D697,584 S 1/2014 Schmon et al.
 D725,743 S * 3/2015 Richter D23/226
 D727,466 S 4/2015 Richter et al.
 D796,003 S 8/2017 Rossner et al.
 D803,353 S 11/2017 Negri et al.
 D821,545 S 6/2018 Gehrung
 D835,235 S * 12/2018 Gehrung D23/226

D838,341 S * 1/2019 Svendsen D23/226
 10,195,627 B2 * 2/2019 Becker B65D 47/063
 10,422,325 B2 * 9/2019 Luczak F04B 53/06
 10,471,449 B2 * 11/2019 Gehrung B05B 7/0815
 10,634,132 B2 * 4/2020 Carideo F04B 53/16
 11,007,545 B2 * 5/2021 Dawson B05B 9/01
 D934,383 S * 10/2021 Stech D23/226
 2010/0084493 A1 * 4/2010 Troudt B05B 9/01
 239/526
 2011/0121103 A1 * 5/2011 Carleton B05B 7/062
 251/366
 2013/0233945 A1 * 9/2013 Andersen B05B 15/652
 239/288.5
 2014/0312146 A1 * 10/2014 Huang B05B 7/02
 239/526
 2018/0200743 A1 * 7/2018 Dawson B05B 9/0861
 2020/0164390 A1 * 5/2020 Tam B05B 1/341
 2021/0046492 A1 * 2/2021 Becker B05B 12/002

FOREIGN PATENT DOCUMENTS

TW	D125489	10/1994
TW	D125490	10/1994
TW	D170077	9/2015
TW	D183762	6/2017

OTHER PUBLICATIONS

Airless Paint Sprayer Spray Gun, Oct. 23, 2018, Amazon, site visited Mar. 21, 2022: <https://www.amazon.ca/dp/B07JN3KXQB/> (Year: 2018).*

Thumb Lever Screw, Aug. 10, 2017, Amazon, site visited Mar. 21, 2022: <https://www.amazon.ca/dp/B071CD9DLS/> (Year: 2017).*

Graco Magnum 262800 X5 Stand Airless Paint Sprayer, Feb. 5, 2015, Amazon, site visited Jun. 7, 2022: <https://www.amazon.ca/dp/B0026SR0FW/> (Year: 2015).*

First ROC (Taiwan) Office Action for TW Application No. 110301290, dated Sep. 30, 2021, pp. 3.

First Brazilian Office Action for BR Application No. BR302021001141-7, dated Jul. 13, 2021, pp. 2.

ROC (Taiwan) Search Report for TW Application No. 110301290, dated Nov. 22, 2021, pp. 5.

Taiwan ROC Search Report for TW Application No. 110306275, dated Apr. 27, 2022, pp. 5.

* cited by examiner

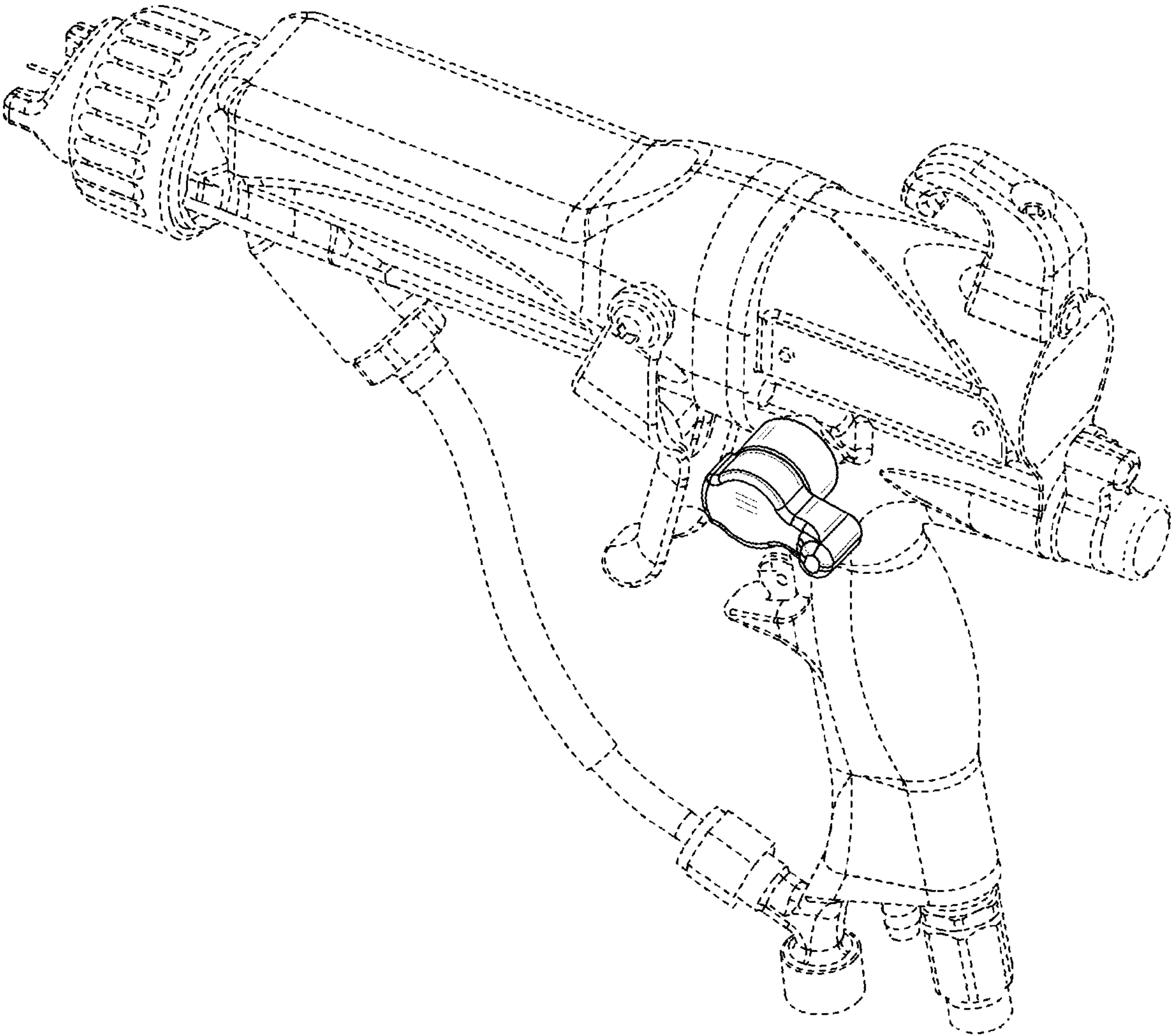


Fig. 1

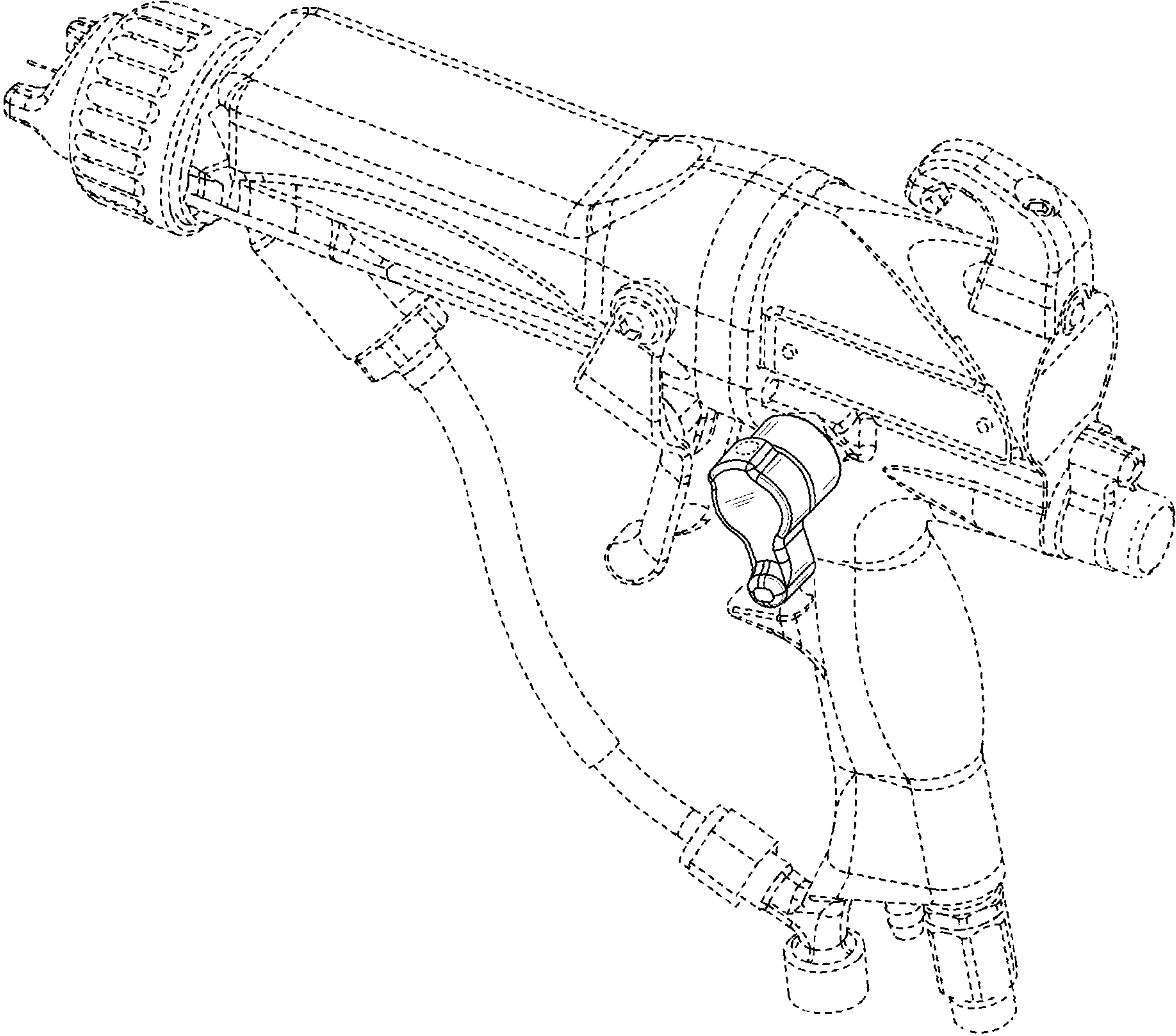


Fig. 2

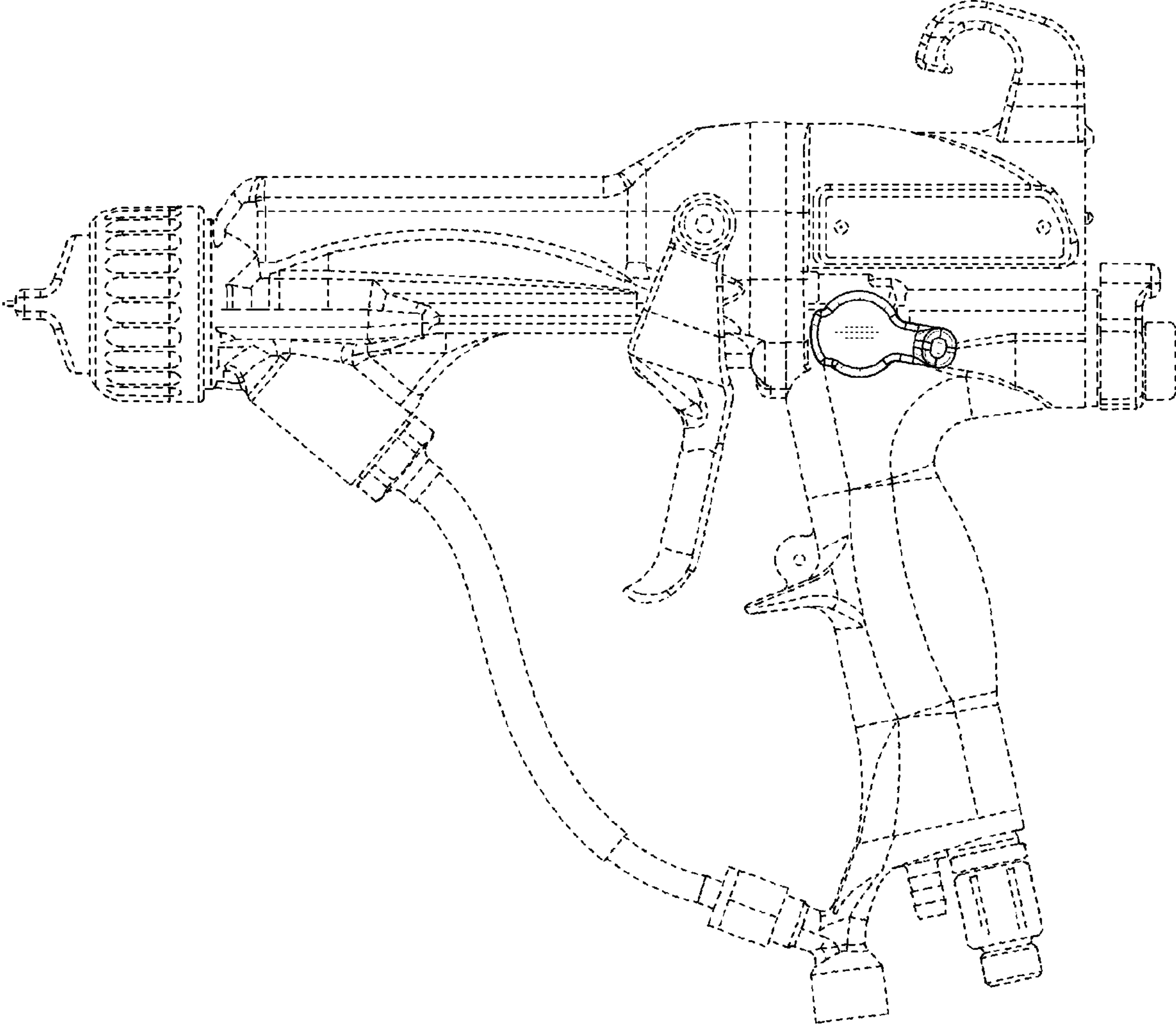


Fig. 3

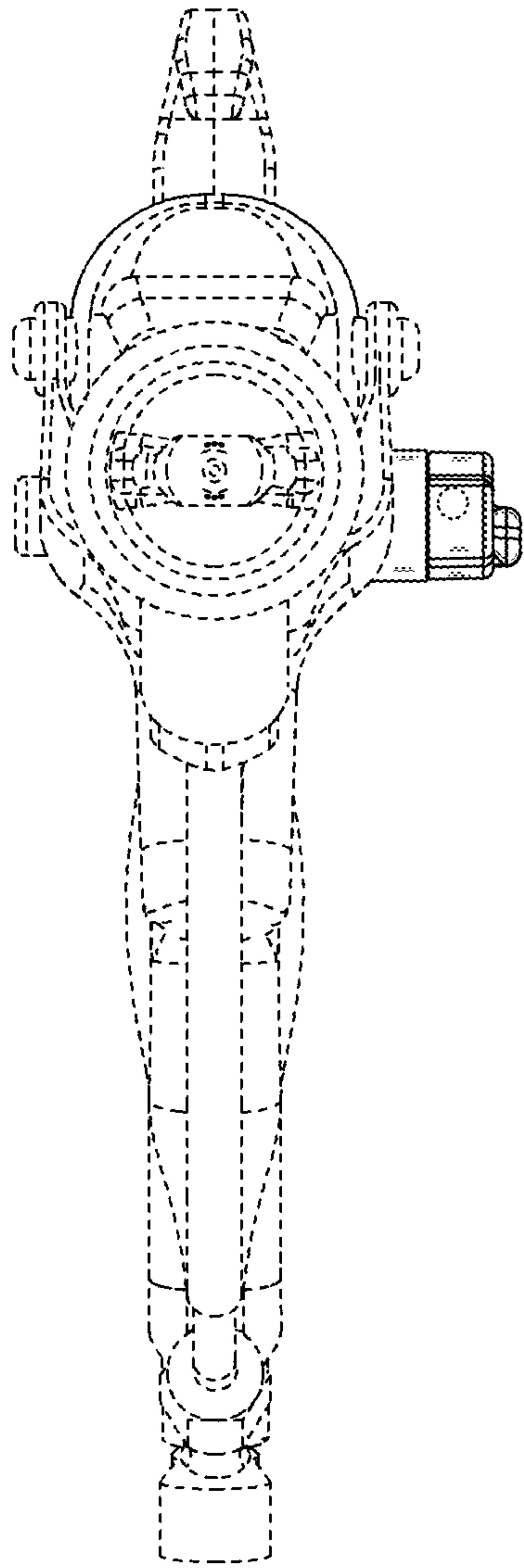


Fig. 4

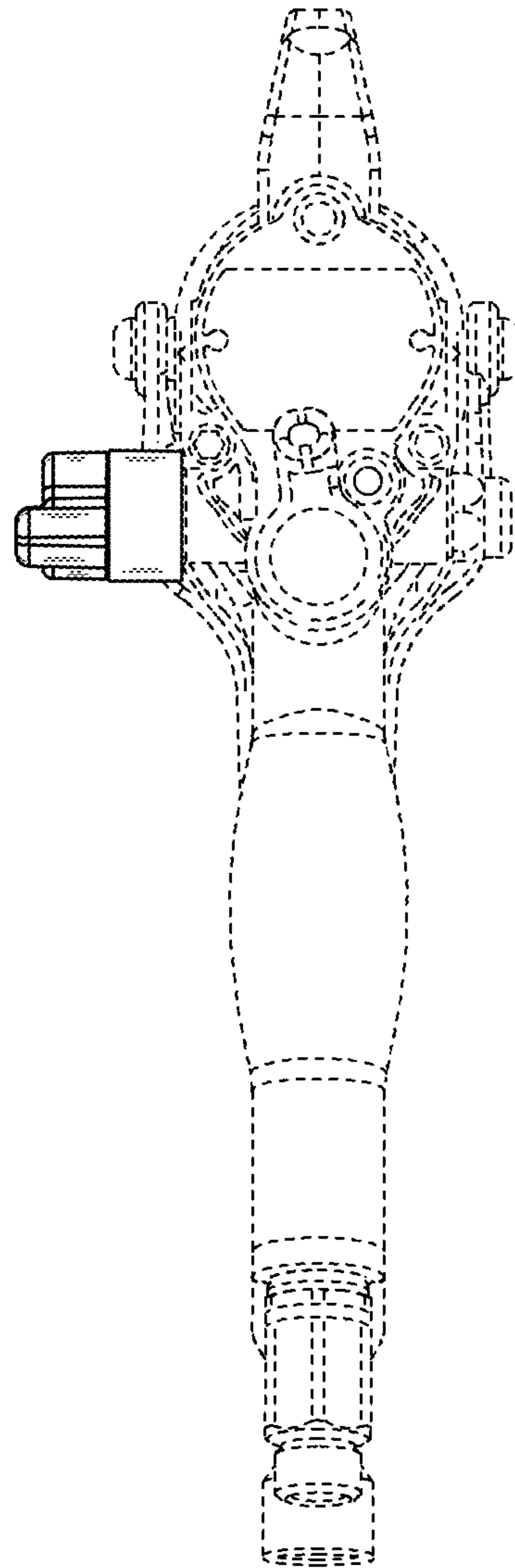


Fig. 5

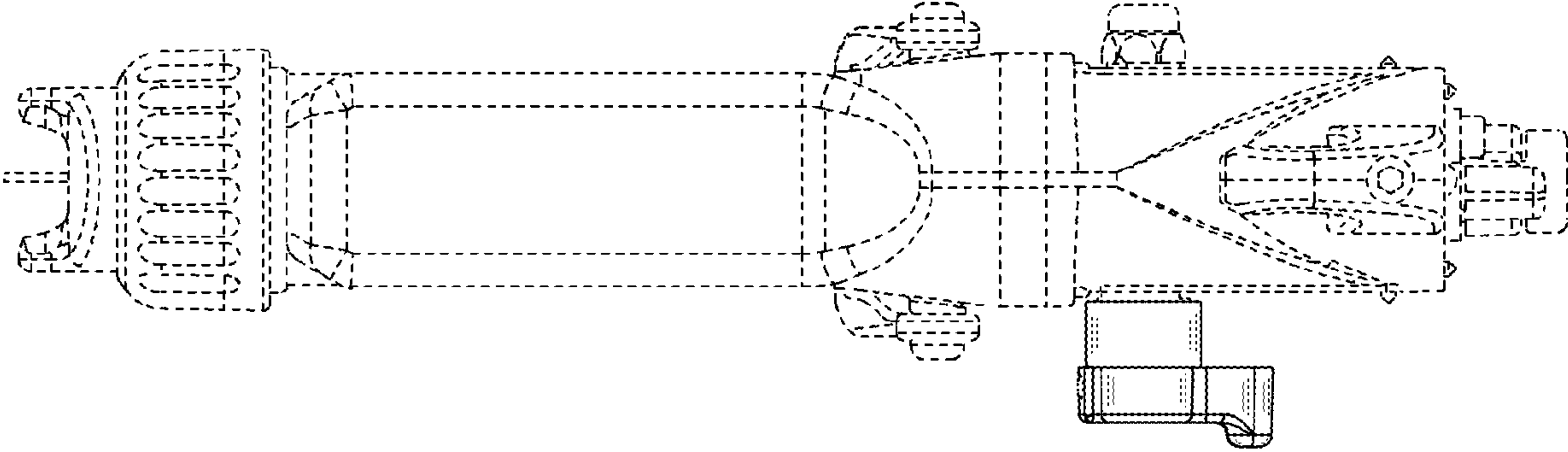


Fig. 6

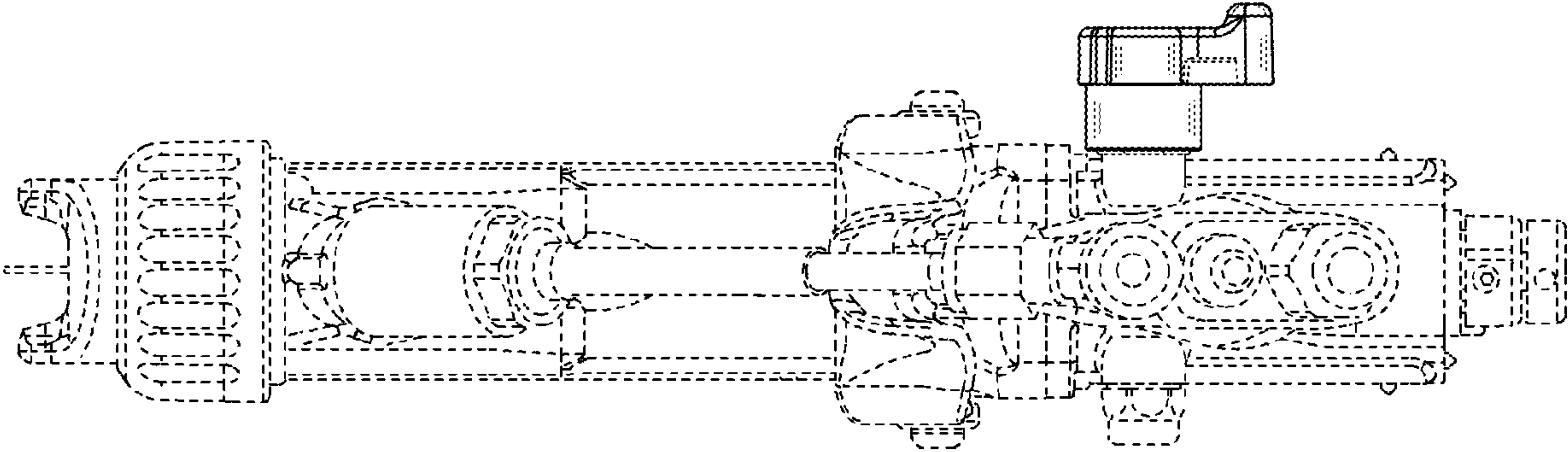


Fig. 7

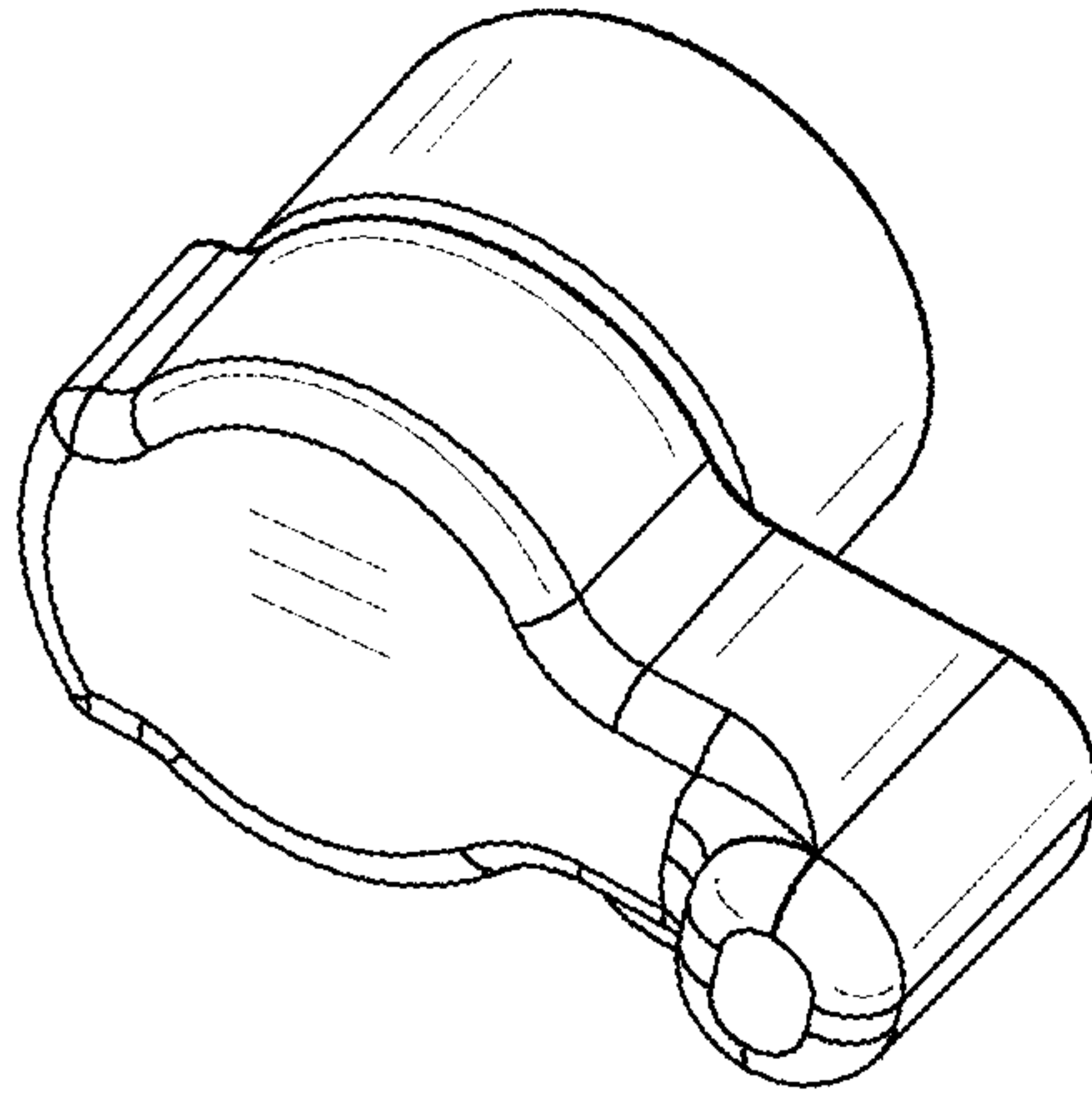


Fig. 8

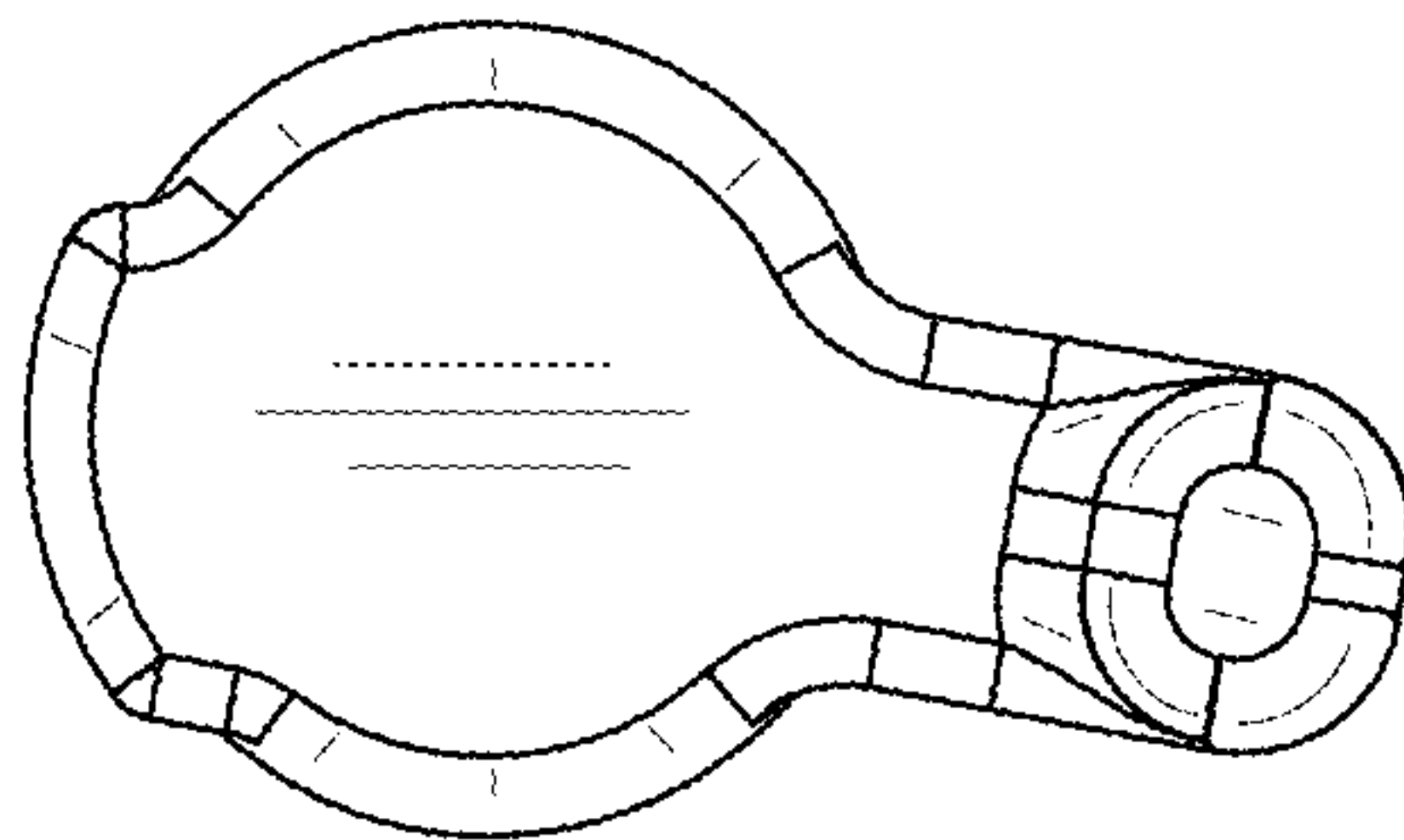


Fig. 9

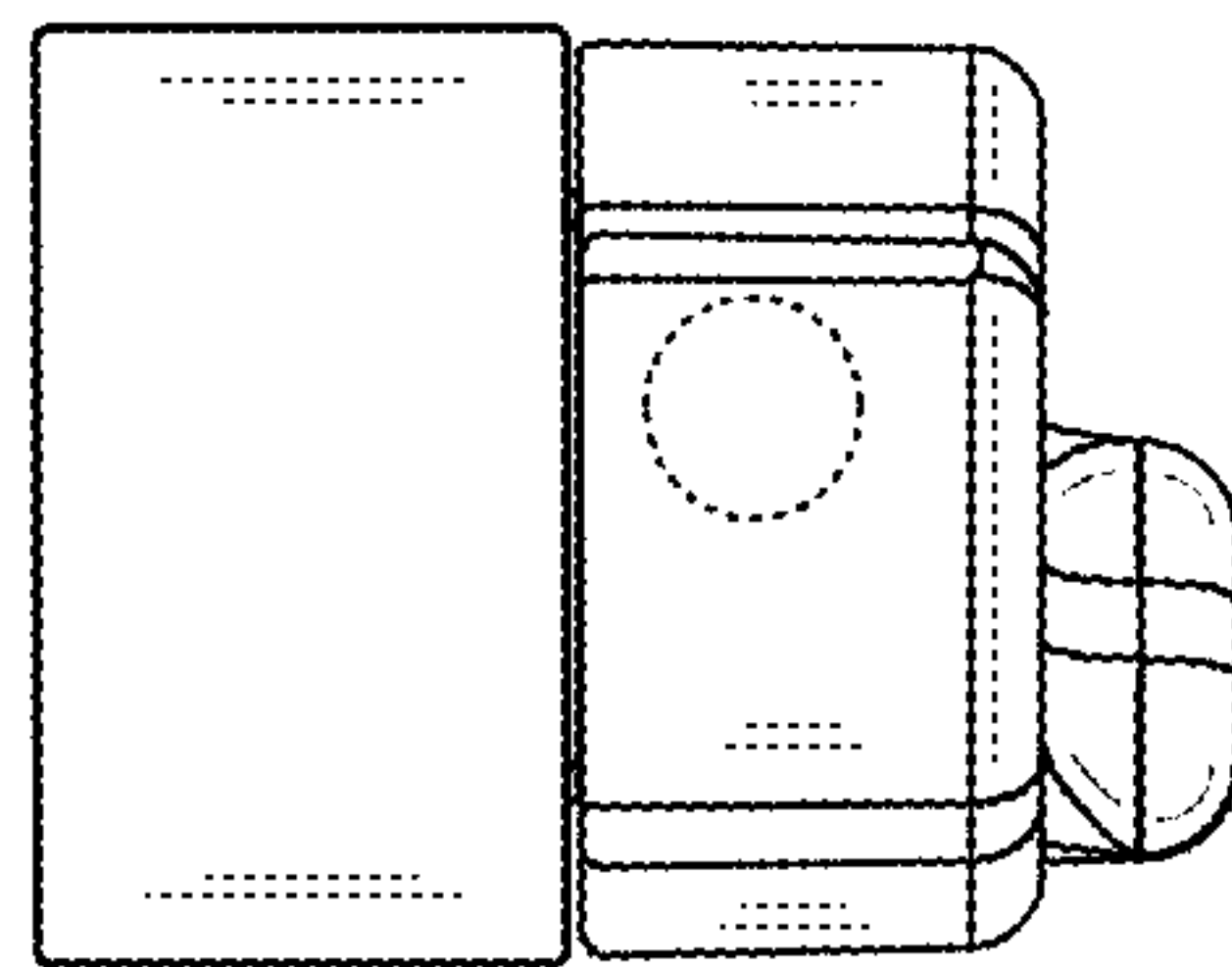


Fig. 10

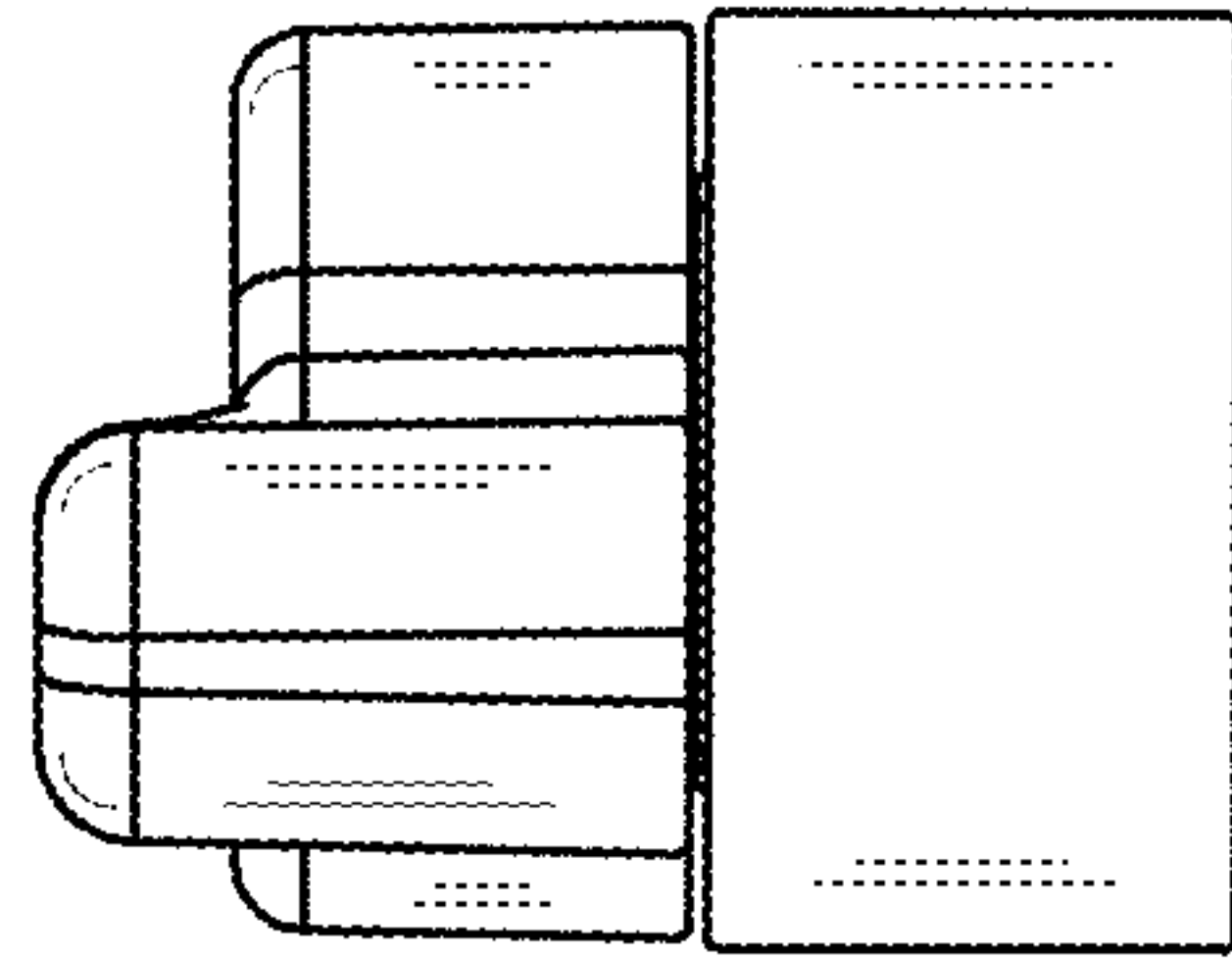


Fig. 11

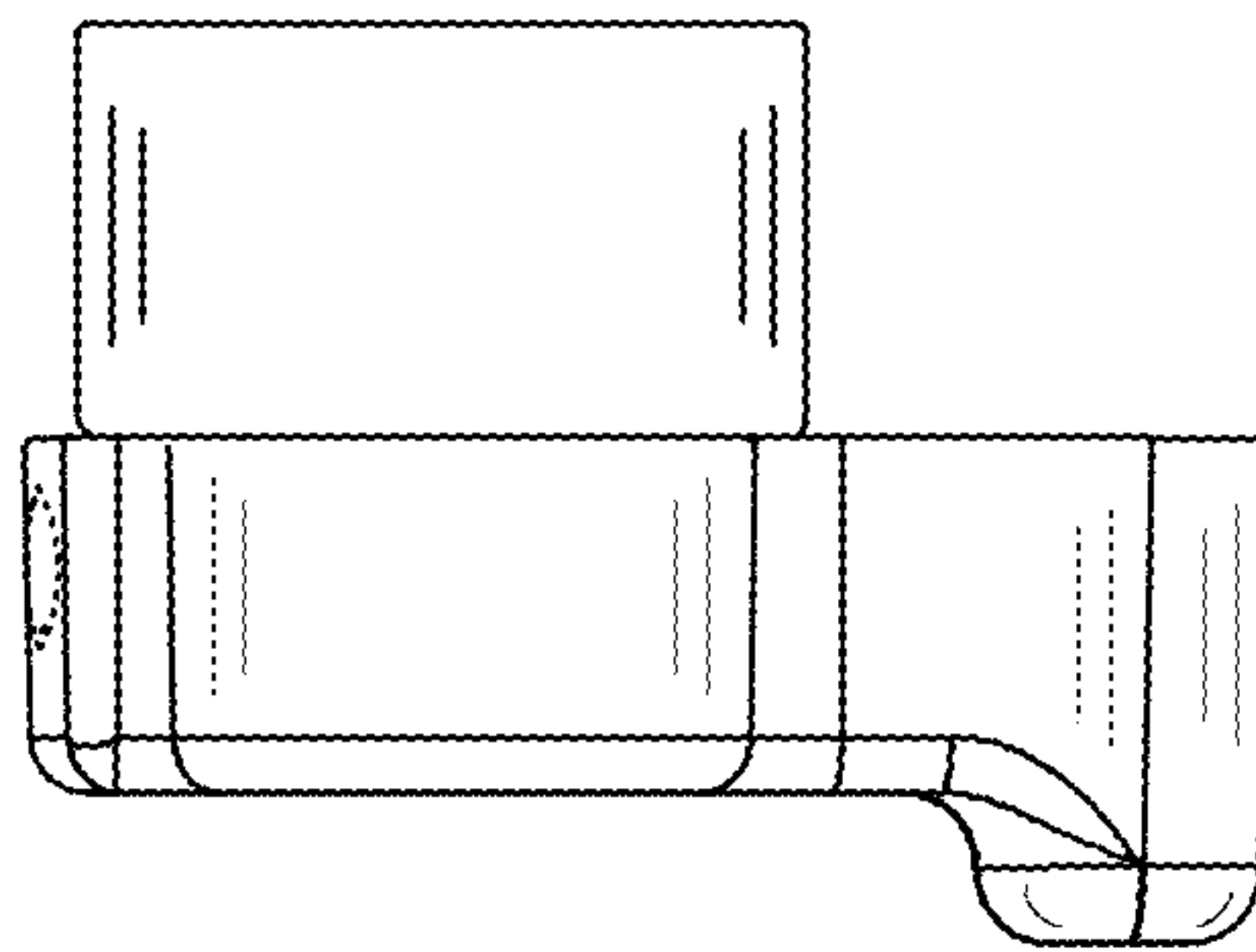


Fig. 12

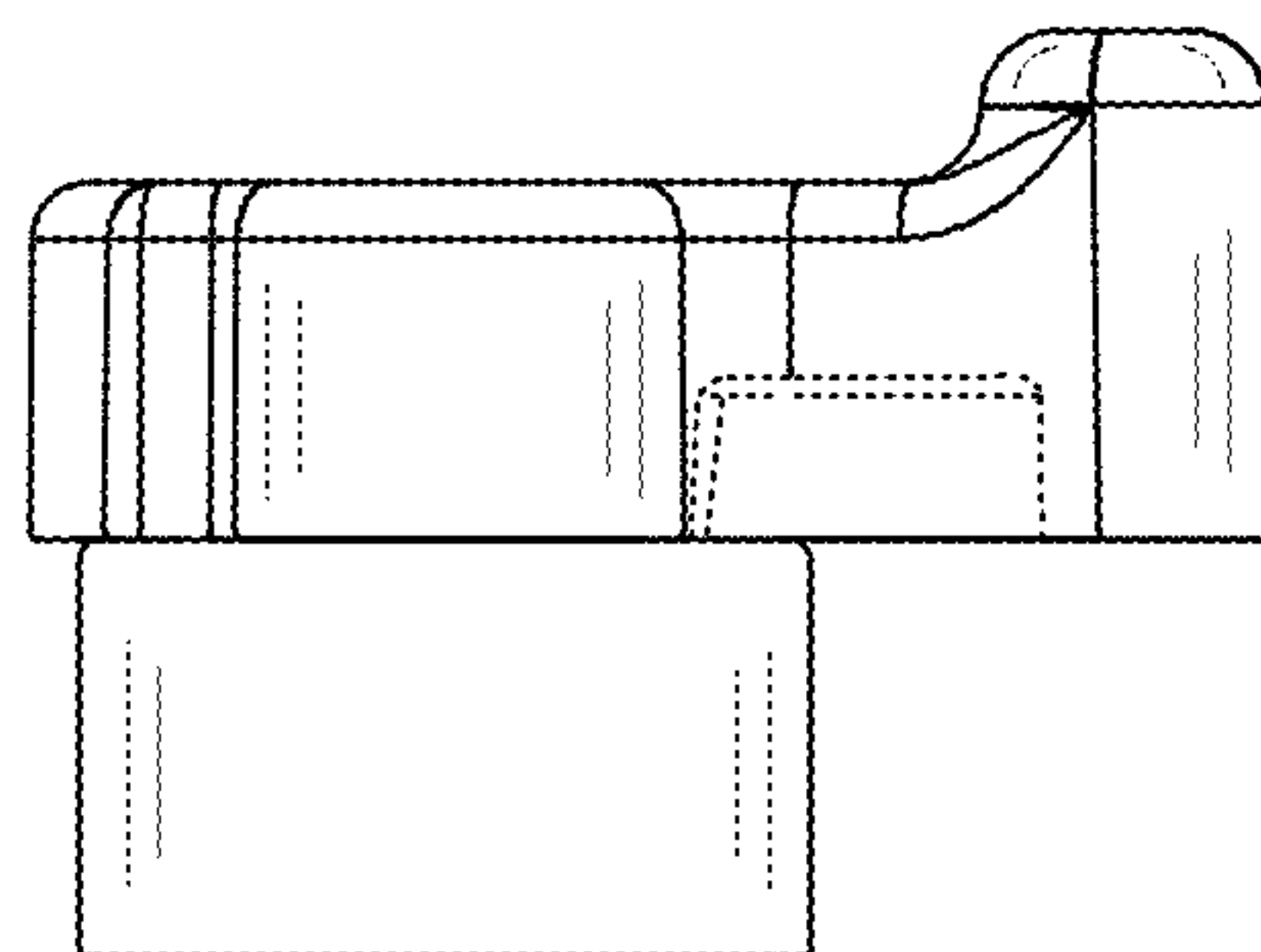


Fig. 13