



US00D963795S

(12) **United States Design Patent** (10) **Patent No.:** **US D963,795 S**
Yang et al. (45) **Date of Patent:** **** *Sep. 13, 2022**

(54) **AIRLESS SPRAY GUN**
(71) Applicant: **Zhejiang Prulde Electric Appliance Co., Ltd., Zhejiang (CN)**
(72) Inventors: **Weiming Yang, Zhejiang (CN); Ting Han, Zhejiang (CN)**
(73) Assignee: **Zhejiang Prulde Electric Appliance Co., Ltd., Zhejiang (CN)**

D597,173 S * 7/2009 Mulgrew D23/225
D616,065 S * 5/2010 Gundersen D23/225
D733,840 S * 7/2015 Butler D23/225
D746,408 S * 12/2015 Benson D34/18
D769,414 S * 10/2016 Roden D23/225
D771,222 S * 11/2016 Pellin D23/225
D795,391 S * 8/2017 Yang D23/225
D806,212 S * 12/2017 Legatt D23/225

(Continued)

FOREIGN PATENT DOCUMENTS

(*) Notice: This patent is subject to a terminal disclaimer.

CN 305239545 7/2019
EM 006302311-0005 4/2019

(**) Term: **15 Years**

OTHER PUBLICATIONS

(21) Appl. No.: **29/718,528**

Graco Magnum 262805 X7 Cart Airless Paint Sprayer, Mar. 2, 2010, Amazon.com, Apr. 5, 2021 : URL: <https://www.amazon.com/Graco-Magnum-262805-Airless-Sprayer/dp/B0026SSW8G/> (Year: 2010).*

(22) Filed: **Dec. 26, 2019**

(51) **LOC (13) Cl.** **23-01**

(52) **U.S. Cl.**

USPC **D23/225**

(58) **Field of Classification Search**

USPC D23/213-215, 223, 224, 225, 226, 229, D23/230

CPC A61H 9/0021; A61H 33/00; B05B 1/00; B05B 1/14; B05B 1/185; B05B 1/08; B05B 1/02; B05B 1/26; B05B 12/002; B05B 1/18; B05B 9/01

See application file for complete search history.

(Continued)

Primary Examiner — Keith J Wilson

(74) *Attorney, Agent, or Firm* — JCIP Global Inc.

(57) **CLAIM**

The ornamental design for an airless spray gun, as shown and described.

DESCRIPTION

FIG. 1 is a perspective view of an airless spray gun showing our new design;

FIG. 2 is a front view thereof;

FIG. 3 is a rear view thereof;

FIG. 4 is a right side view thereof;

FIG. 5 is a left side view thereof;

FIG. 6 is a top view thereof; and,

FIG. 7 is a bottom view thereof.

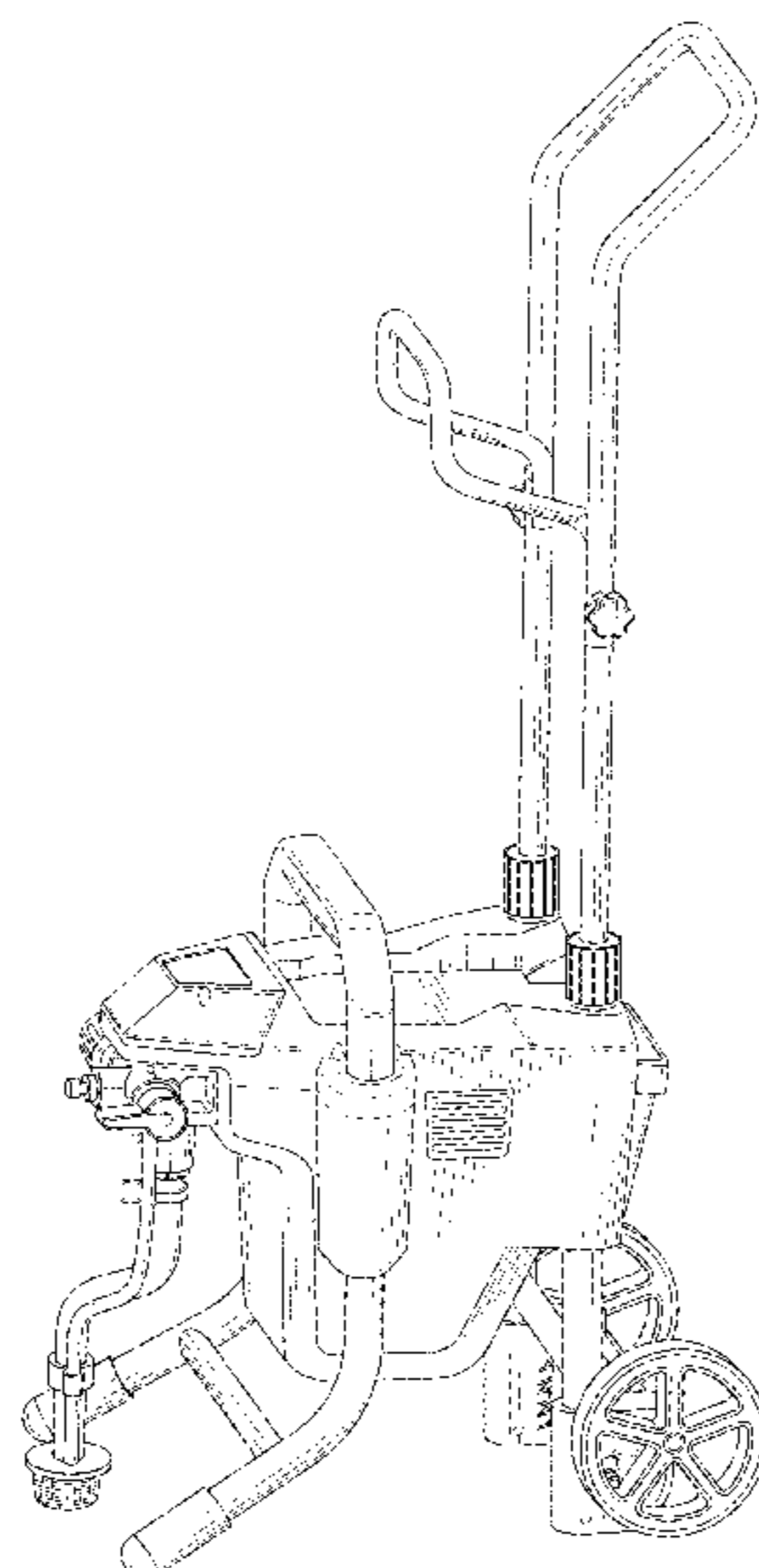
The broken lines in the drawings represent of a portion the airless spray gun that form no part of the claimed design.

(56) **References Cited**

U.S. PATENT DOCUMENTS

3,940,065 A * 2/1976 Ware B05B 5/085
239/146
D429,314 S * 8/2000 Bower D23/225
D502,532 S * 3/2005 Schroeder D23/225
D518,607 S * 4/2006 Franzino D32/1
D560,271 S * 1/2008 Kesti D23/225
D580,516 S * 11/2008 Mattson D23/225
D580,517 S * 11/2008 Mattson D23/225
D580,518 S * 11/2008 Johnson D23/225

1 Claim, 7 Drawing Sheets



(56)

References Cited

U.S. PATENT DOCUMENTS

D822,794 S * 7/2018 Blenkush D23/225
D851,211 S * 6/2019 Pellin D23/225
D952,098 S * 5/2022 Tong D32/25
D953,487 S * 5/2022 Halfmaerten D23/226
D954,177 S * 6/2022 Liu D23/225
2021/0060594 A1* 3/2021 Yang B05B 7/2416

OTHER PUBLICATIONS

Titan ControlMax 1700 Pro 580006 w/Cart High Efficiency Airless Paint Sprayer, Apr. 3, 2017, amazon.ca, Jun. 14, 2022, URL: https://www.amazon.ca/dp/B06X3YNP1N/ref=twister_B0B31ZXSPH?_encoding=UTF8&psc=1 (Year: 2017).*

Titan Impact 1140 High Rider Airless Paint Sprayer 805-011, Jan. 22, 2014, amazon.ca, Jun. 14, 2022, URL: <https://www.amazon.ca/dp/B00HZOS1JG/> (Year: 2014).*

Graco Ultra Max II 490 PC Pro Electric Airless Paint Sprayer, Jun. 11, 2019, amazon.ca, Jun. 14, 2022, URL: <https://www.amazon.ca/Graco-II-490-PC-Electric/dp/B07P3JHXRS/> (Year: 2019).*

* cited by examiner

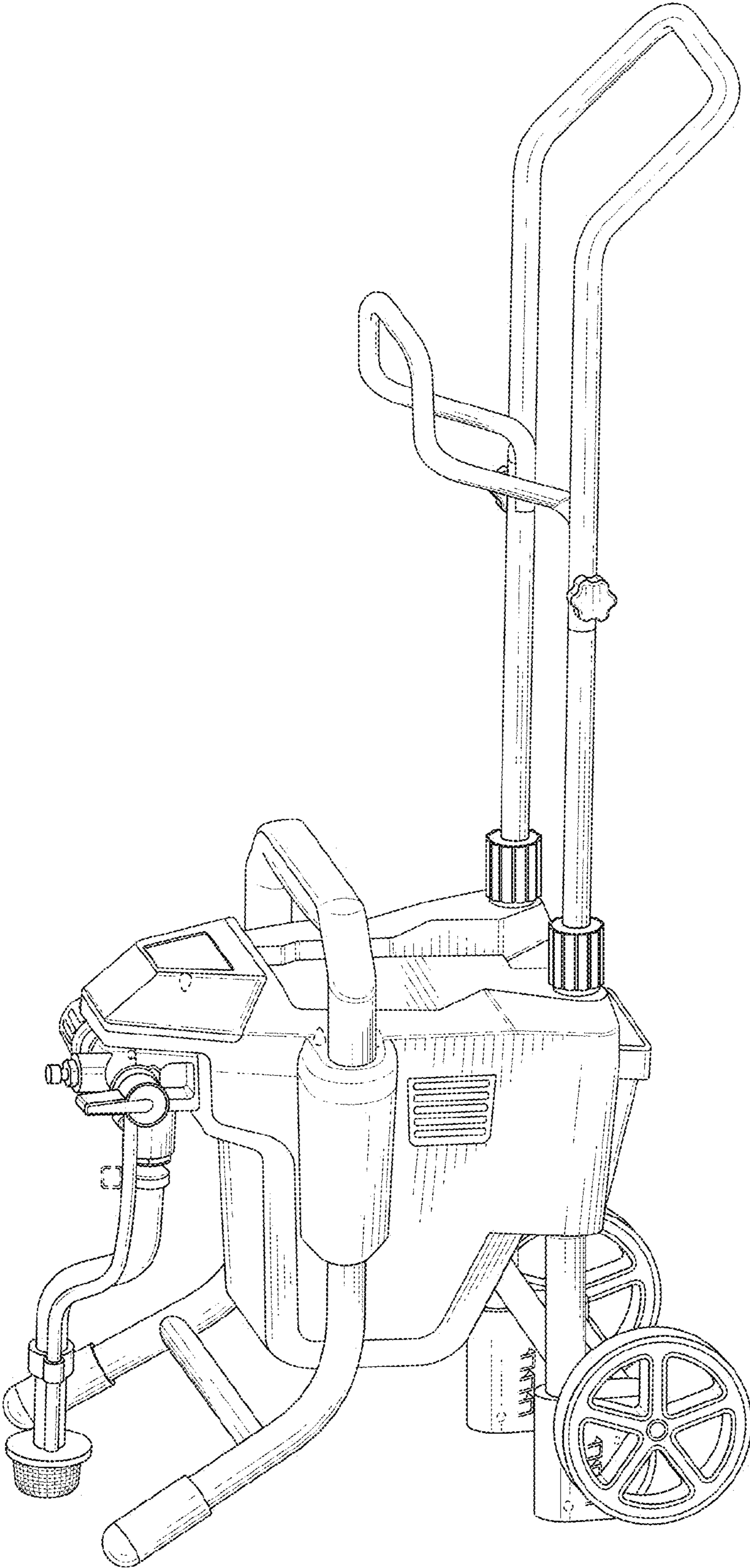


FIG. 1

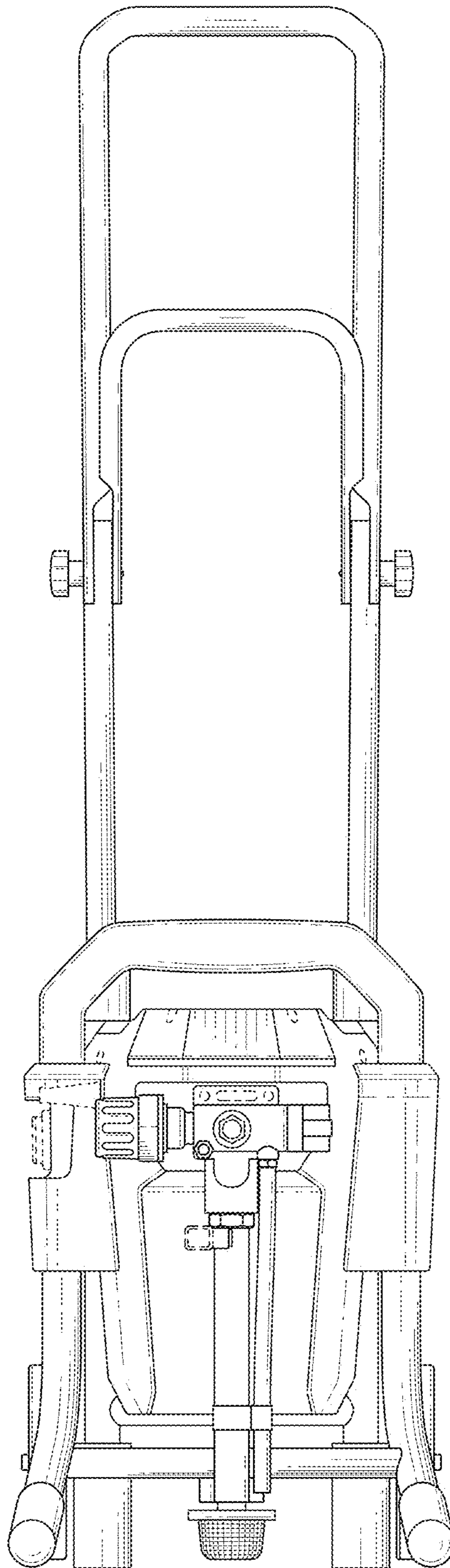


FIG. 2

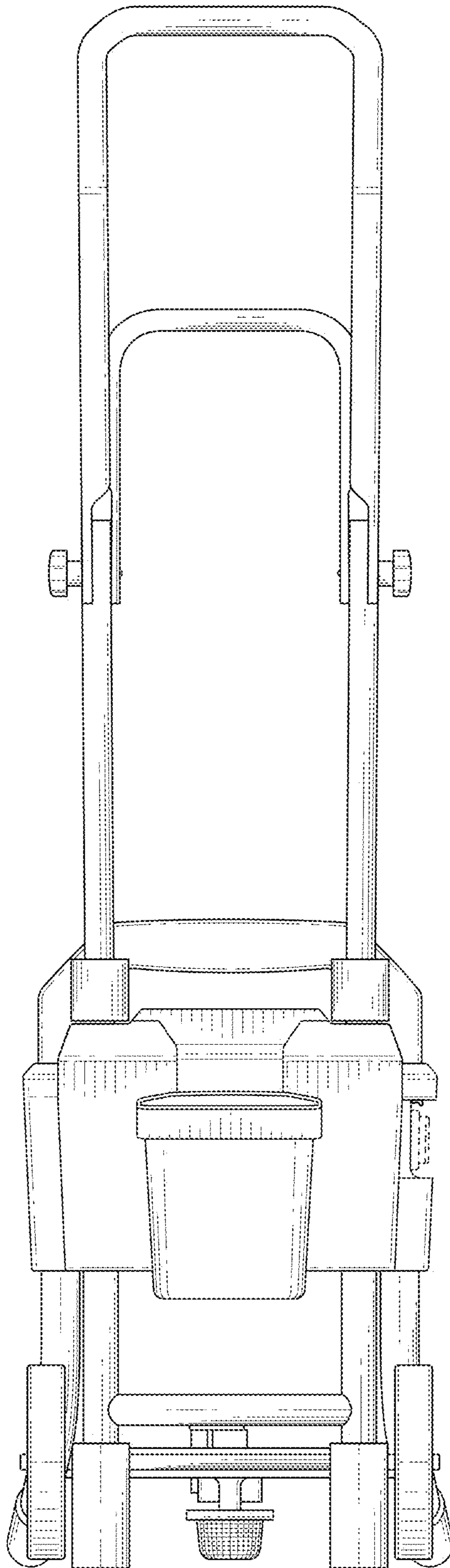


FIG. 3

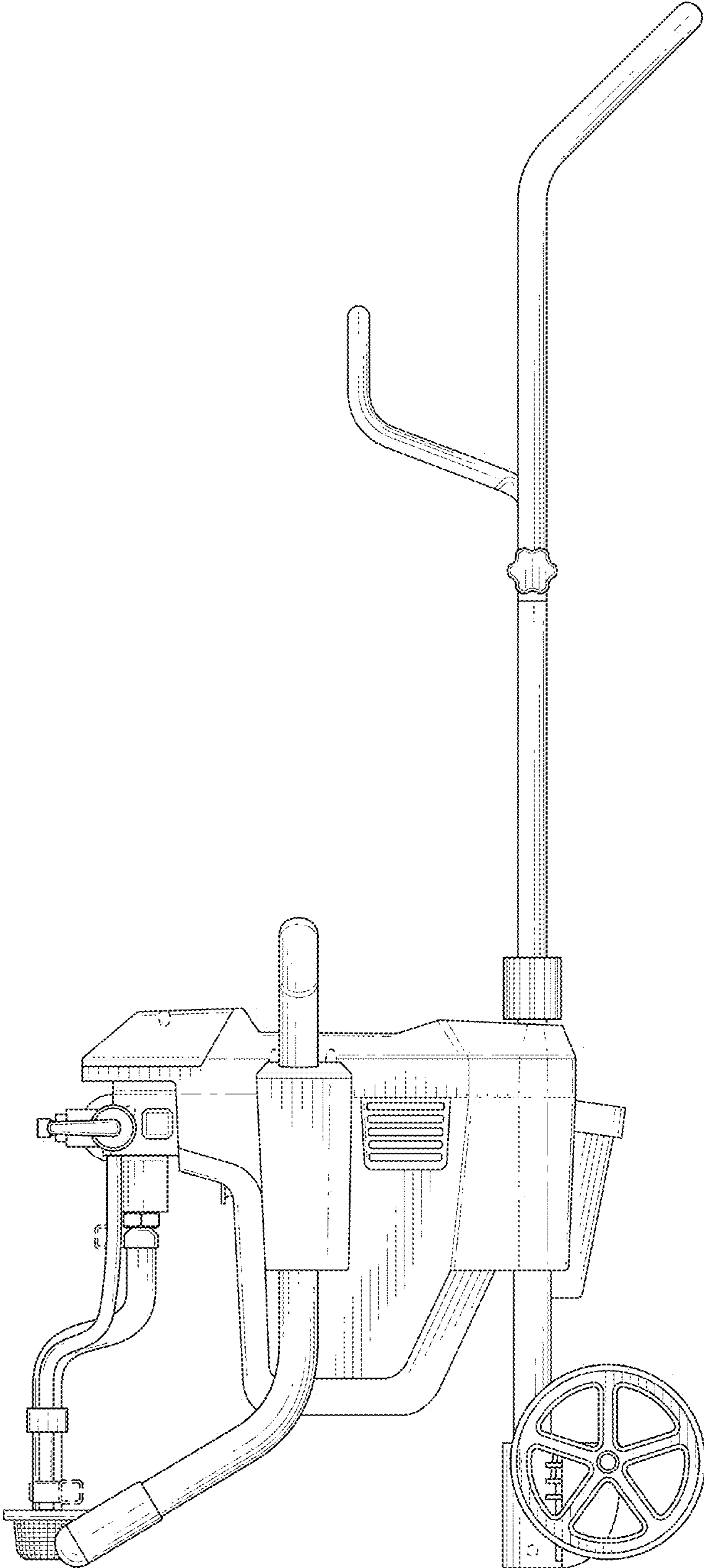


FIG. 4

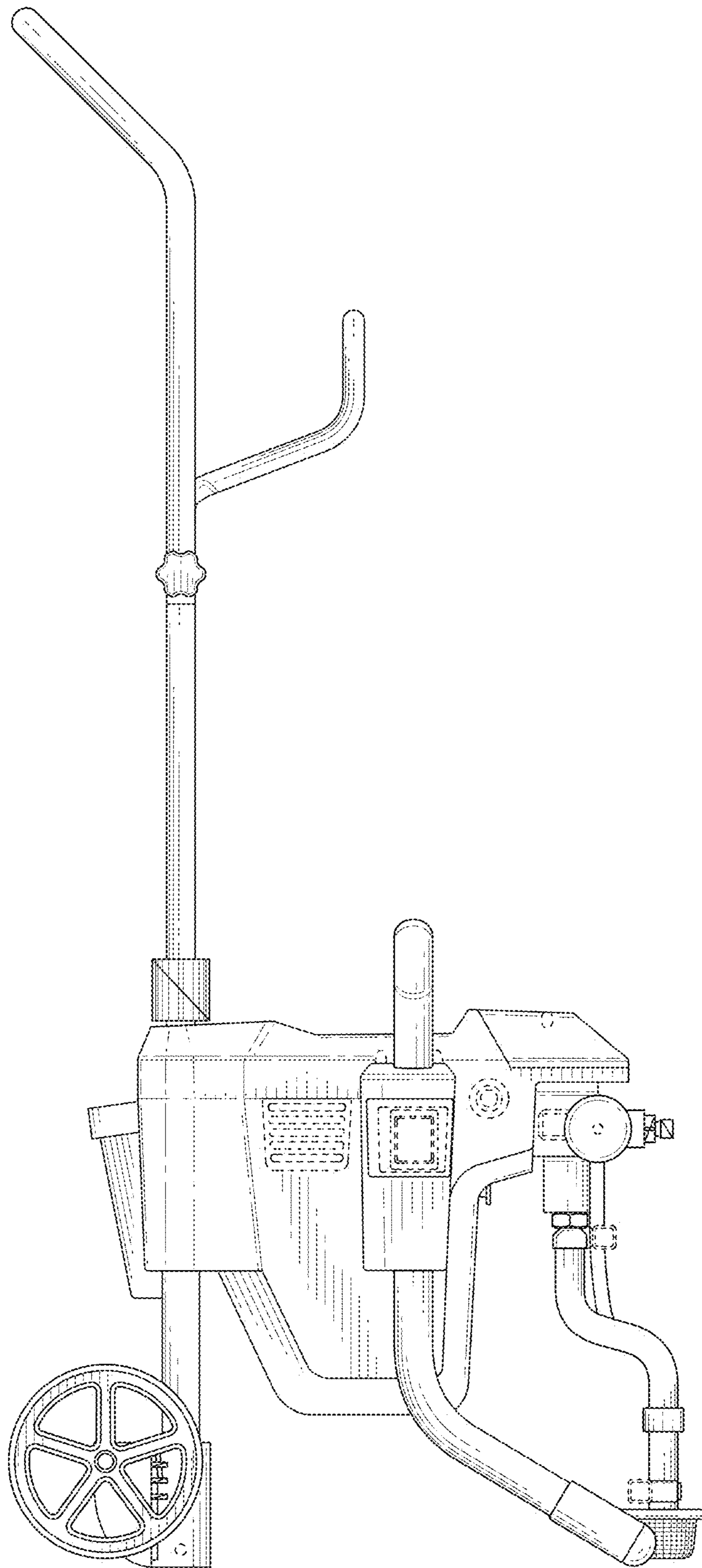


FIG. 5

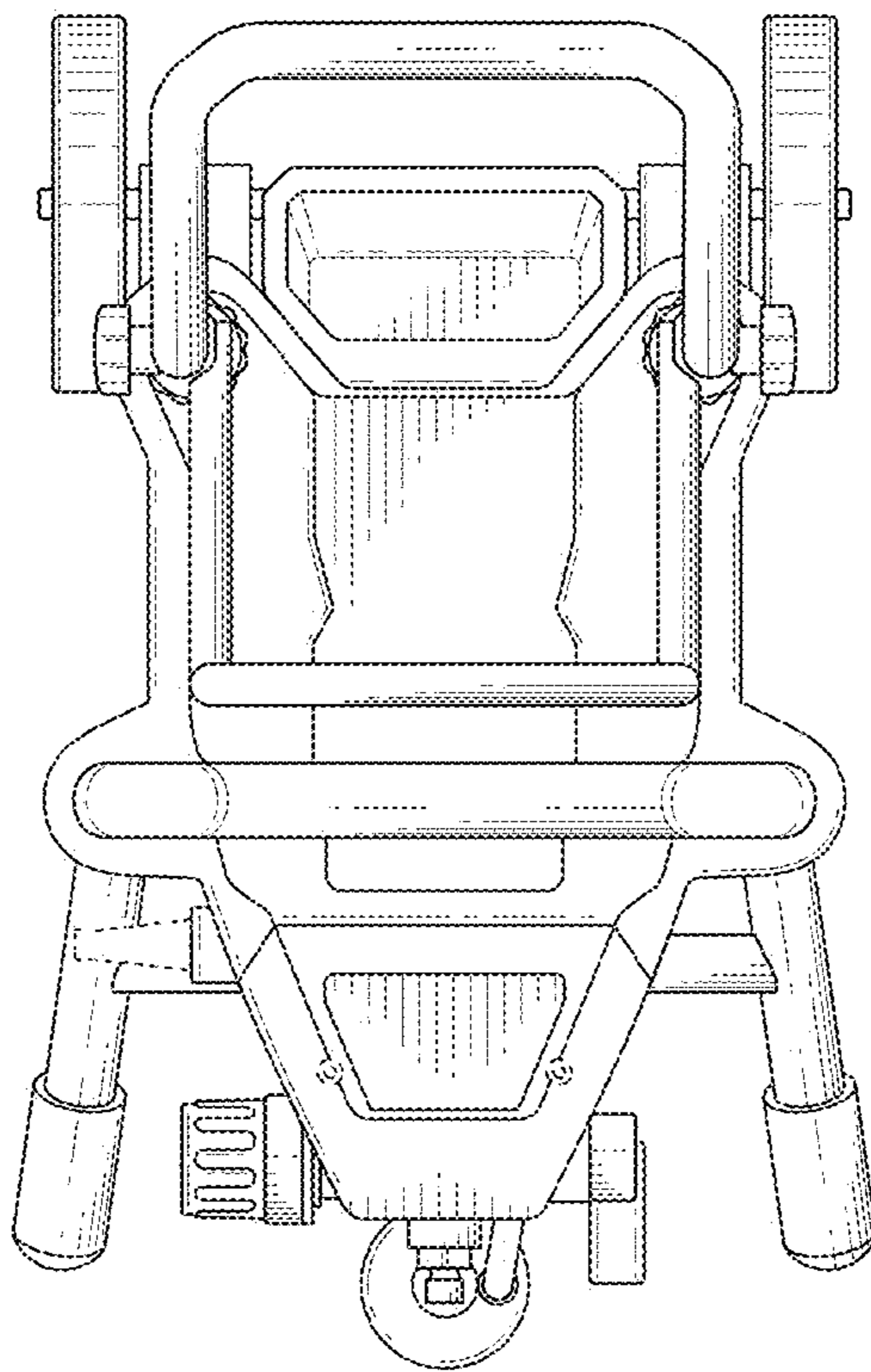


FIG. 6

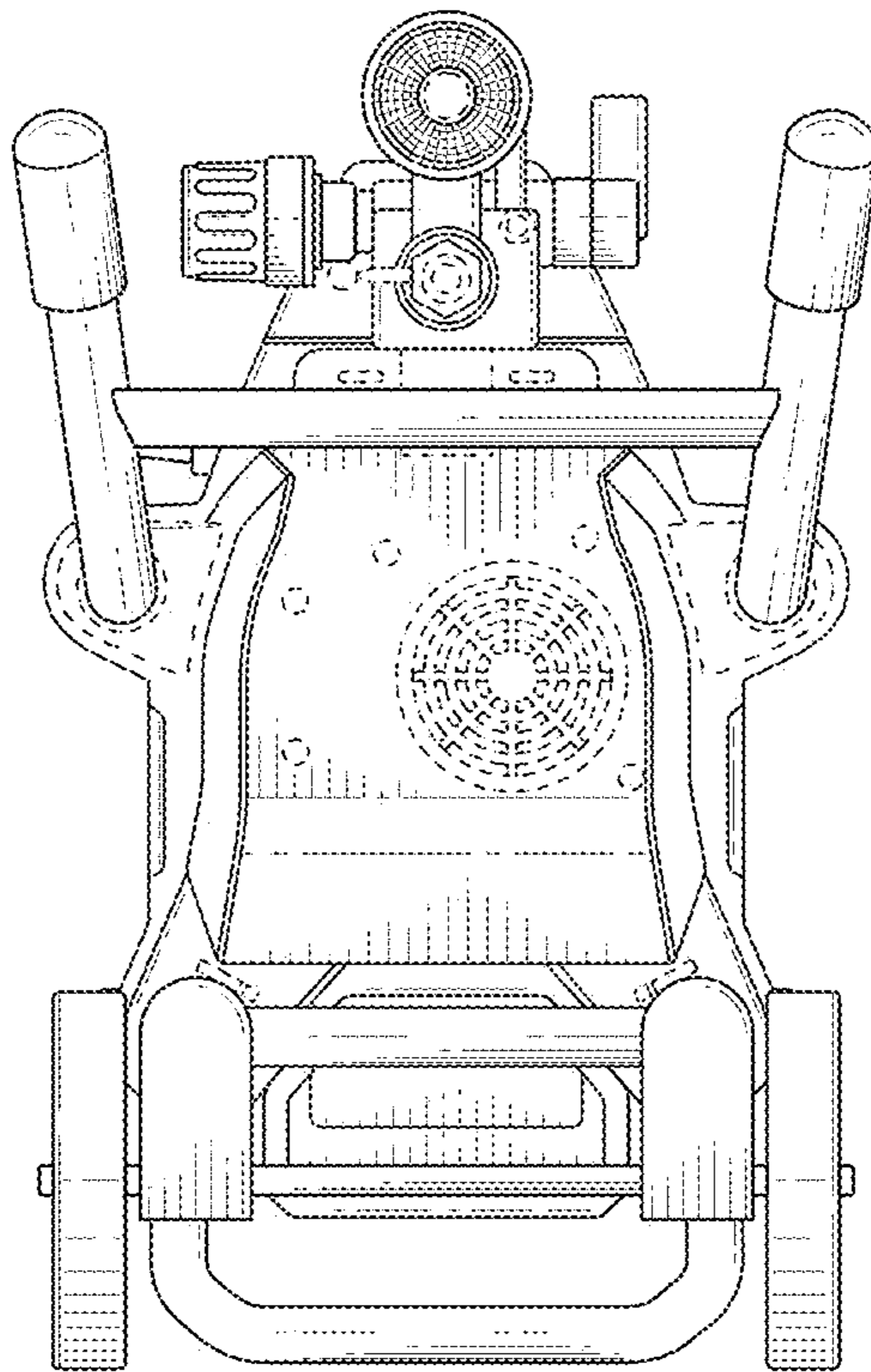


FIG. 7