



US00D963794S

(12) **United States Design Patent** (10) **Patent No.:** **US D963,794 S**
Hong et al. (45) **Date of Patent:** **** Sep. 13, 2022**

(54) **SHOWER**
(71) Applicant: **Xiamen Prime Shower Co., Ltd,**
Xiamen (CN)
(72) Inventors: **Haibo Hong,** Xiamen (CN); **Qin Yu,**
Xiamen (CN); **Jing Guo,** Xiamen (CN)
(73) Assignee: **Xiamen Prime Shower Co., Ltd,**
Xiamen (CN)

D667,531 S * 9/2012 Romero D23/223
D667,928 S * 9/2012 Cutler D23/223
D670,358 S * 11/2012 Bai D23/223
D672,011 S * 12/2012 Andrew D23/223
D672,433 S * 12/2012 Yoo D23/223
D681,776 S * 5/2013 Cutler D23/223
D900,963 S * 11/2020 Wu D23/223
D901,630 S * 11/2020 Wu D23/213
D907,743 S * 1/2021 Wu D23/213
D919,747 S * 5/2021 Lin D23/223

(Continued)

(**) Term: **15 Years**

OTHER PUBLICATIONS

(21) Appl. No.: **29/822,964**

Shower Head, SR SUN RISE 6-Settings 4.8" High Pressure Hand-held, Jan. 13, 2017, amazon.ca, Jul. 15, 2022, URL: <https://www.amazon.ca/SR-SUN-RISE-6-Settings-Pressure/dp/B07FKHCGK1/> (Year: 2017).*

(22) Filed: **Jan. 13, 2022**

(Continued)

(30) **Foreign Application Priority Data**

Dec. 23, 2021 (CN) 202130852225.0

Primary Examiner — Keith J Wilson

(51) **LOC (13) Cl.** **23-01**

(74) *Attorney, Agent, or Firm* — Wayne IP LLC

(52) **U.S. Cl.**
USPC **D23/223**

(57) **CLAIM**

(58) **Field of Classification Search**
USPC D23/213, 214, 215, 223, 224, 226, 229,
D23/230

The ornamental design for a shower, as shown and described.

CPC A61H 9/0021; A61H 33/00; B05B 1/00;
B05B 1/14; B05B 1/185; B05B 1/08;
B05B 1/02; B05B 1/26; B05B 12/002;
B05B 1/18; B05B 9/01

DESCRIPTION

See application file for complete search history.

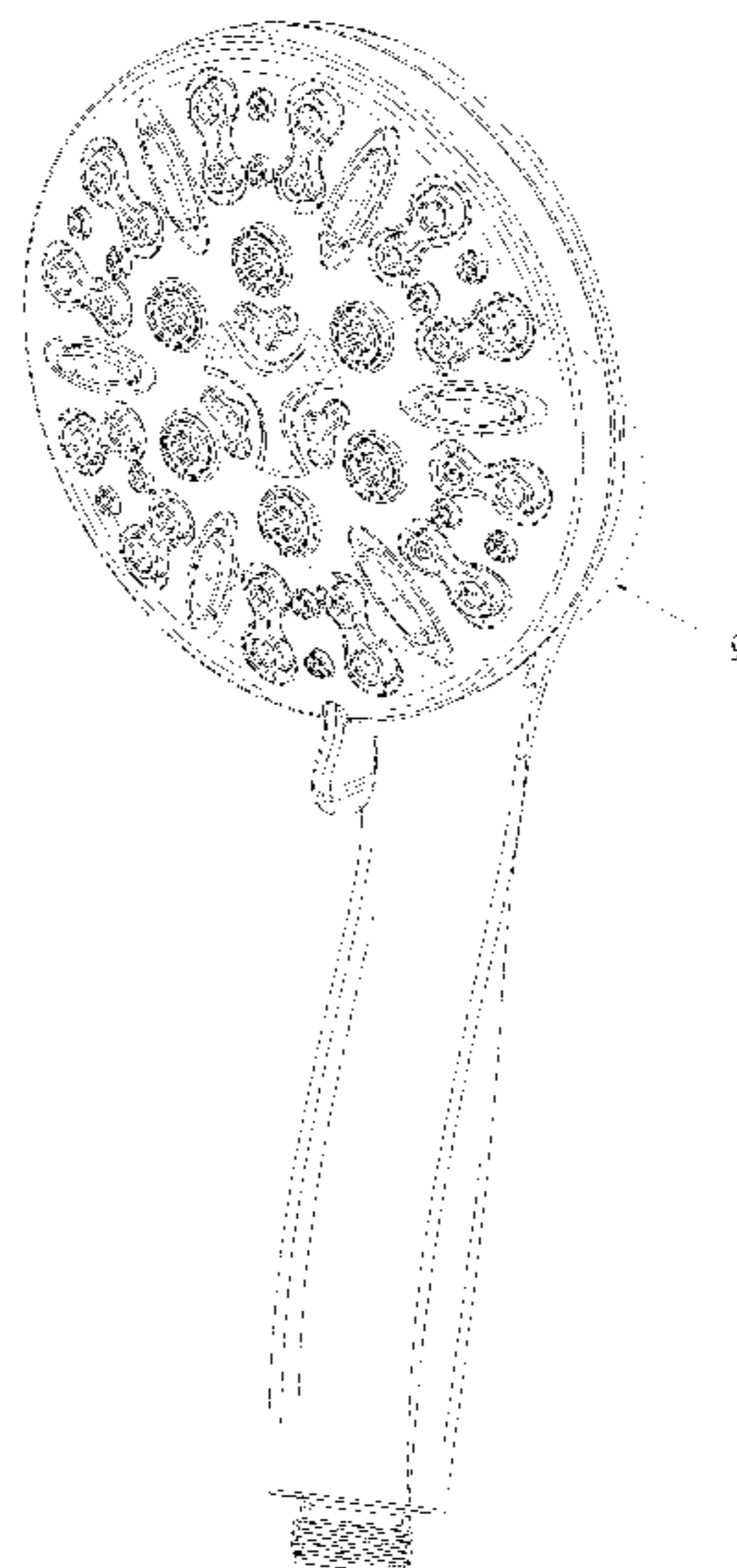
FIG. 1 is a front, right, top perspective view of a shower showing our new design;
FIG. 2 is a back, left, top perspective view thereof;
FIG. 3 is a front view thereof;
FIG. 4 is a back view thereof;
FIG. 5 is a left view thereof;
FIG. 6 is a right view thereof;
FIG. 7 is an enlarged top view thereof;
FIG. 8 is an enlarged bottom view thereof; and,
FIG. 9 is a partially enlarged view of FIG. 1.
The broken lines shown on the drawings depict portions of the shower that form no part of the claimed design.

(56) **References Cited**

U.S. PATENT DOCUMENTS

D452,725 S 1/2002 Lindholm et al.
D503,774 S 4/2005 Zieger
D562,942 S 2/2008 Pan
D575,372 S * 8/2008 Mullenmeister D23/223
D617,873 S * 6/2010 Lee D23/229
D617,874 S * 6/2010 Lee D23/229
D631,133 S * 1/2011 Yoo D23/223
D634,810 S * 3/2011 Yoo D23/213

1 Claim, 9 Drawing Sheets



(56)

References Cited

U.S. PATENT DOCUMENTS

D930,790	S	*	9/2021	Yan	D23/223
D931,411	S	*	9/2021	Yan	D23/213
D935,556	S	*	11/2021	Yan	D23/213
D935,559	S	*	11/2021	He	D23/226
D936,178	S	*	11/2021	Lin	D23/213

OTHER PUBLICATIONS

AquaSpa High Pressure 6-setting Luxury Handheld Shower, Sep. 17, 2019, amazon.ca, Jul. 15, 2022, URL: https://www.amazon.ca/dp/B07XSBWCFJ/ref=sbl_dpx_ca-home-improvement-bathroom-handheld-showerheads_B088R3D455_0 (Year: 2019).*

QLFJ-FurDec 7 Settings Shower Head, Nov. 2, 2021, amazon.ca, Jul. 15, 2022, URL: <https://www.amazon.ca/QLFJ-FurDec-Settings-Pressure-Handheld-Showerhead/dp/B09KTX5Z6V/> (Year: 2021).*

Shower Head, 6-Settings Handheld Shower Head, Jul. 16, 2021, amazon.ca, Jul. 19, 2022, URL: <https://www.amazon.ca/6-Settings-Detachable-Adjustable-Showerheads-Accessories/dp/B099N7H4QQ/> (Year: 2021).*

Apaix Handheld Shower Head, May 31, 2021, amazon.ca, Jul. 20, 2022, URL: <https://www.amazon.ca/dp/B093QFMQ7H/> (Year: 2021).*

Janvier High Pressure Shower Head Set, Nov. 17, 2021, amazon.ca, Jul. 22, 2022, URL: https://www.amazon.ca/dp/B09FLQ29CJ/ref=sbl_dpx_ca-home-improvement-bathroom-handheld-showerheads_B09PV52VM7_0 (Year: 2021).*

* cited by examiner

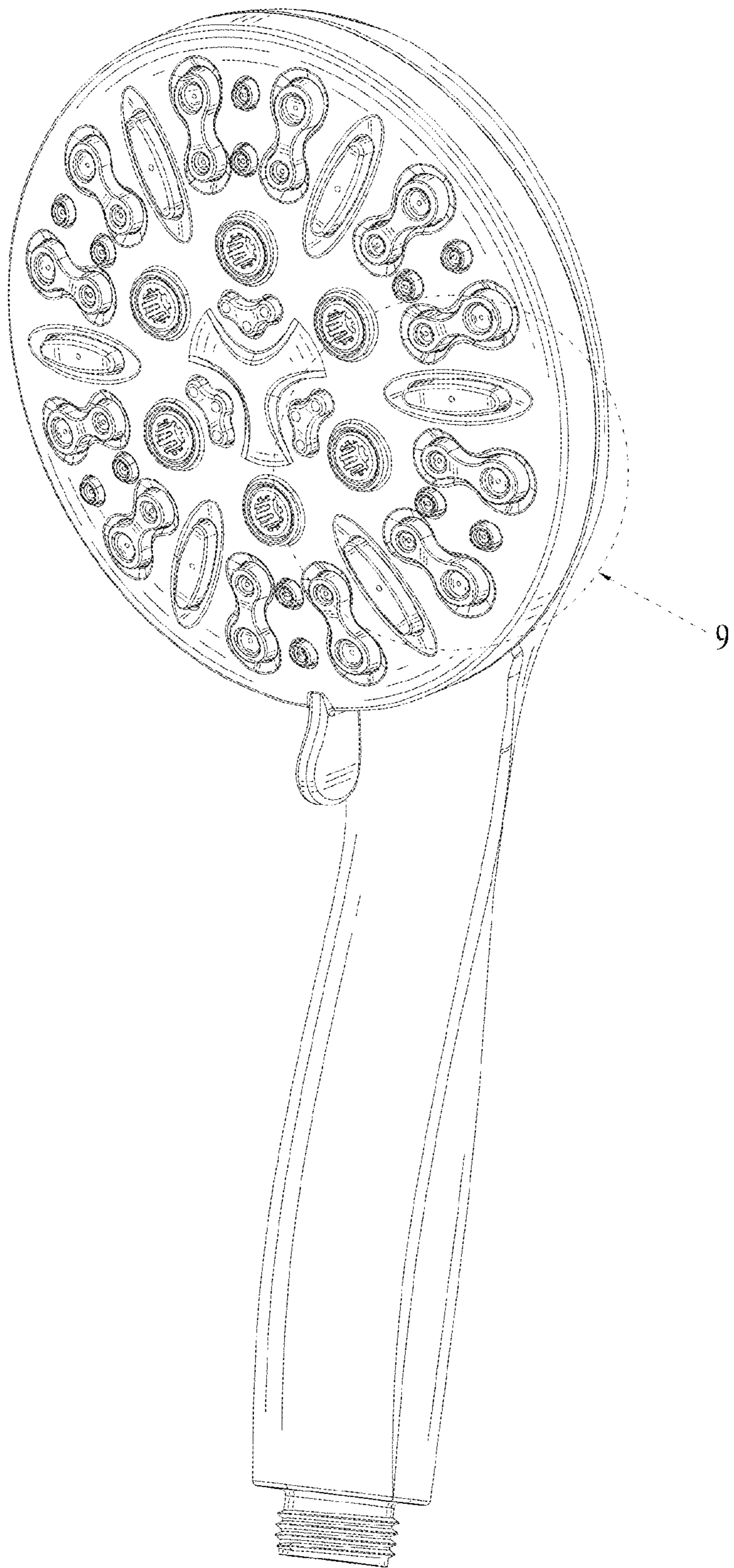


FIG. 1

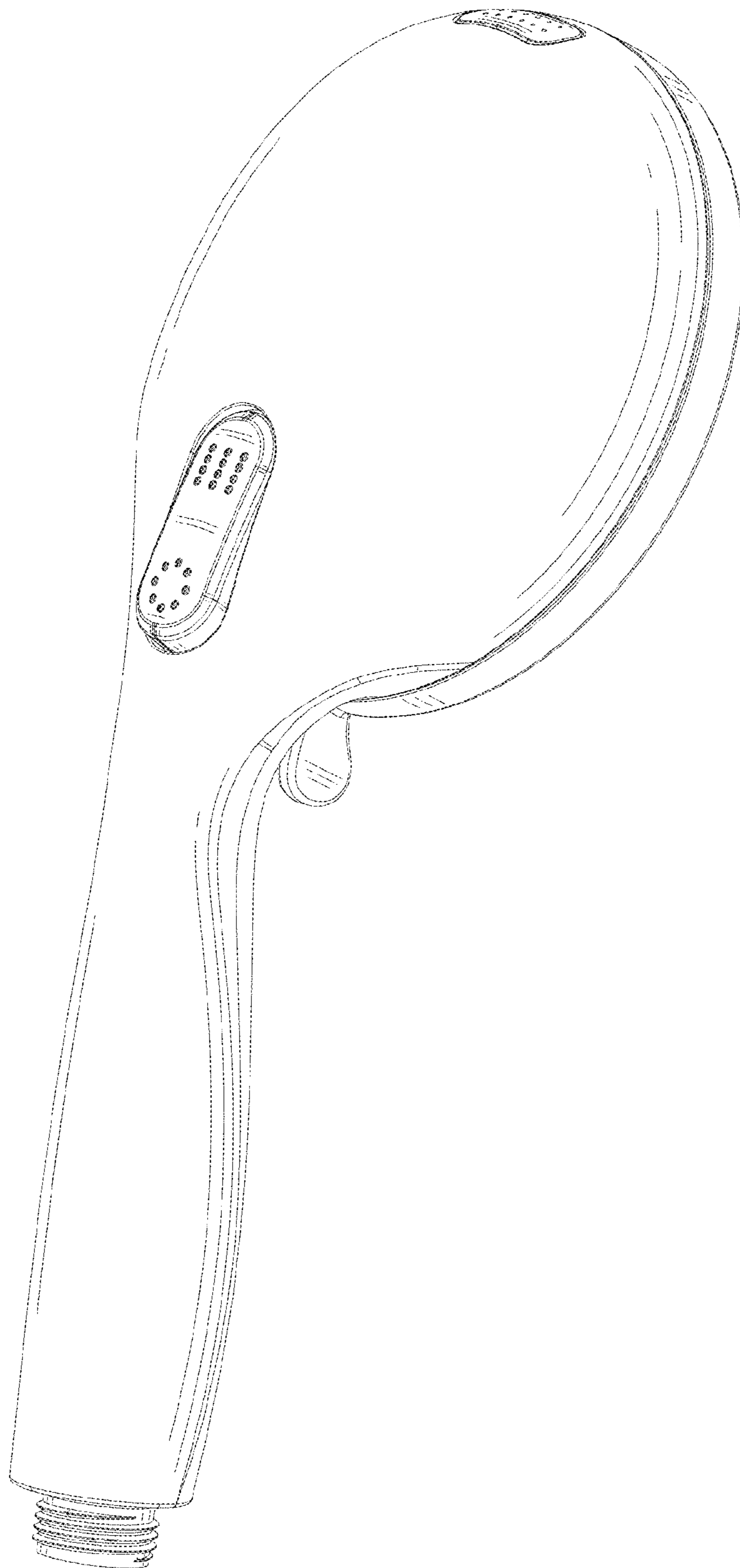


FIG. 2

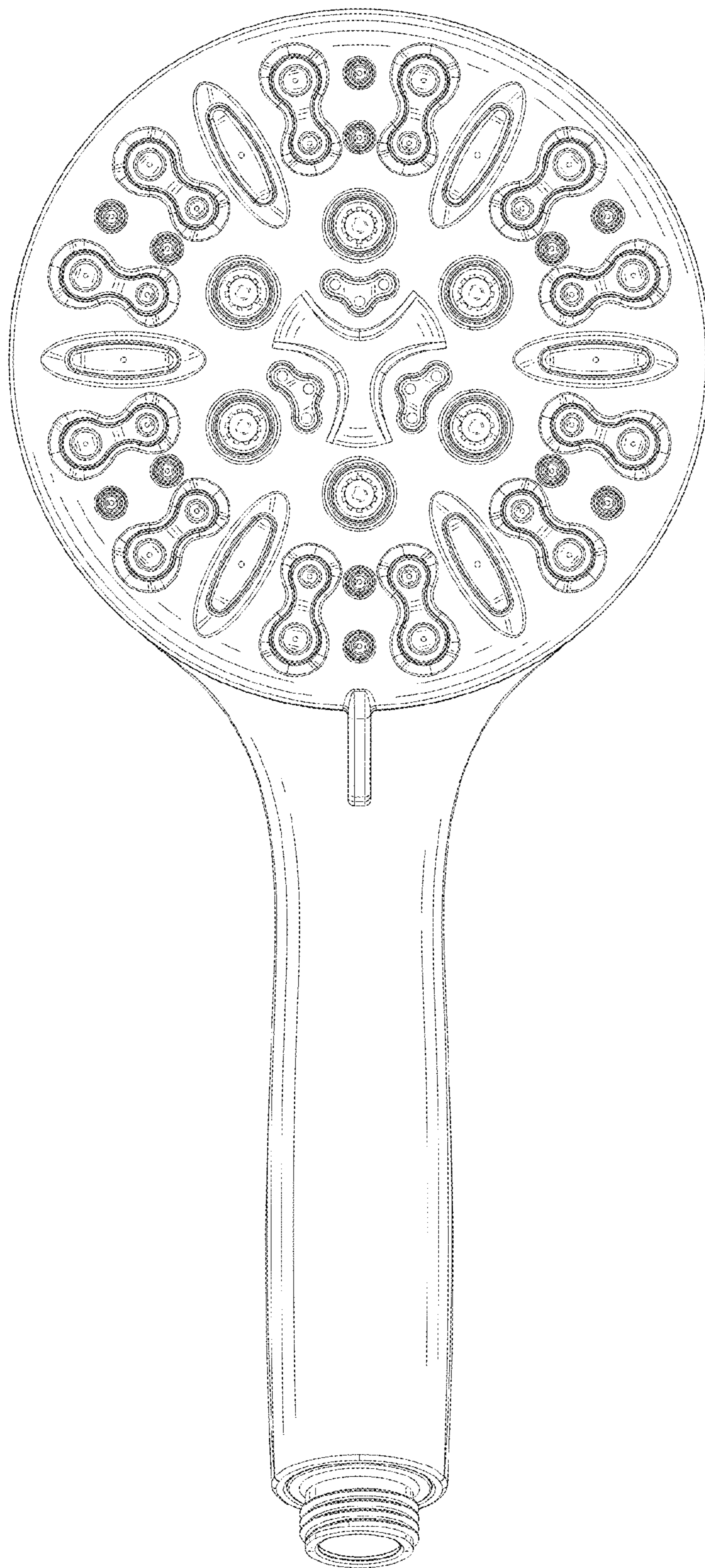


FIG. 3

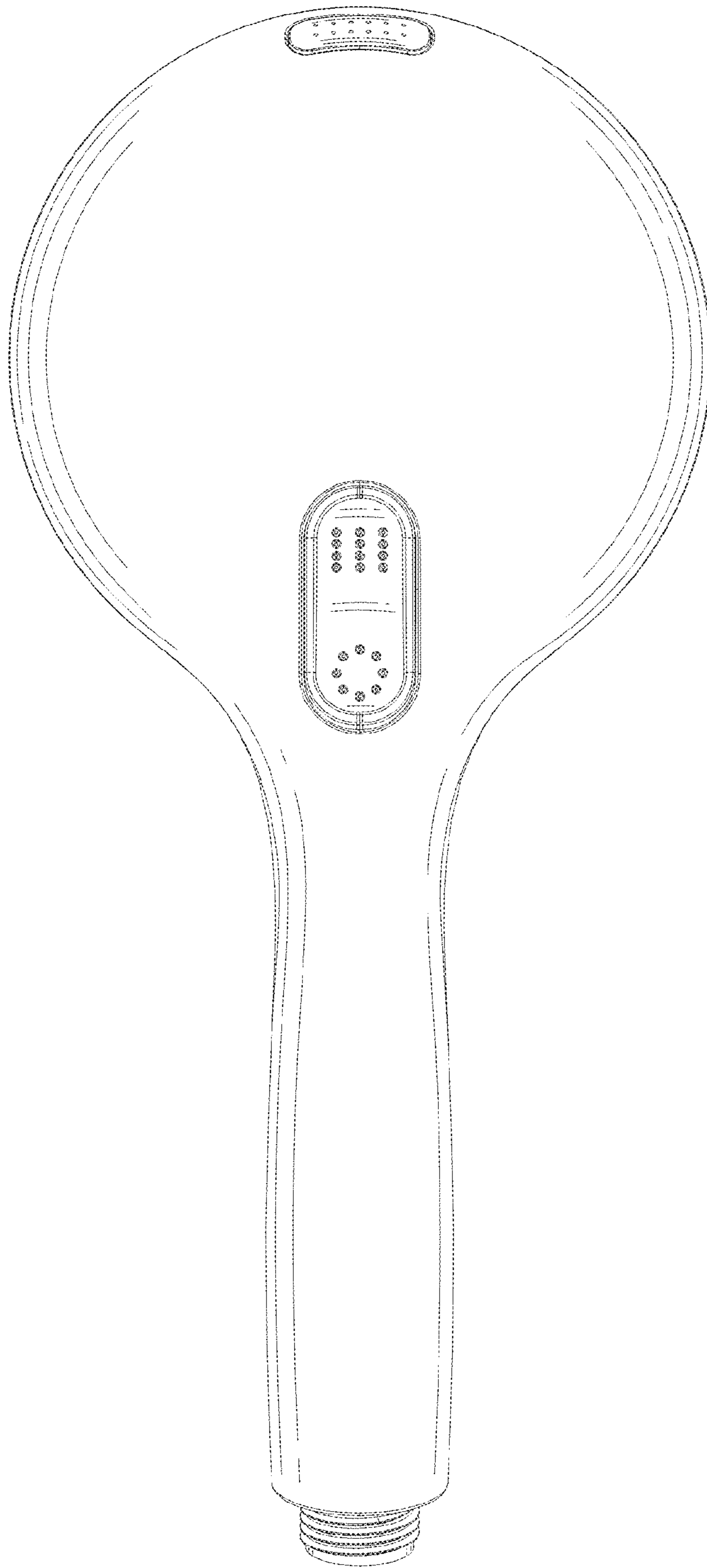


FIG. 4

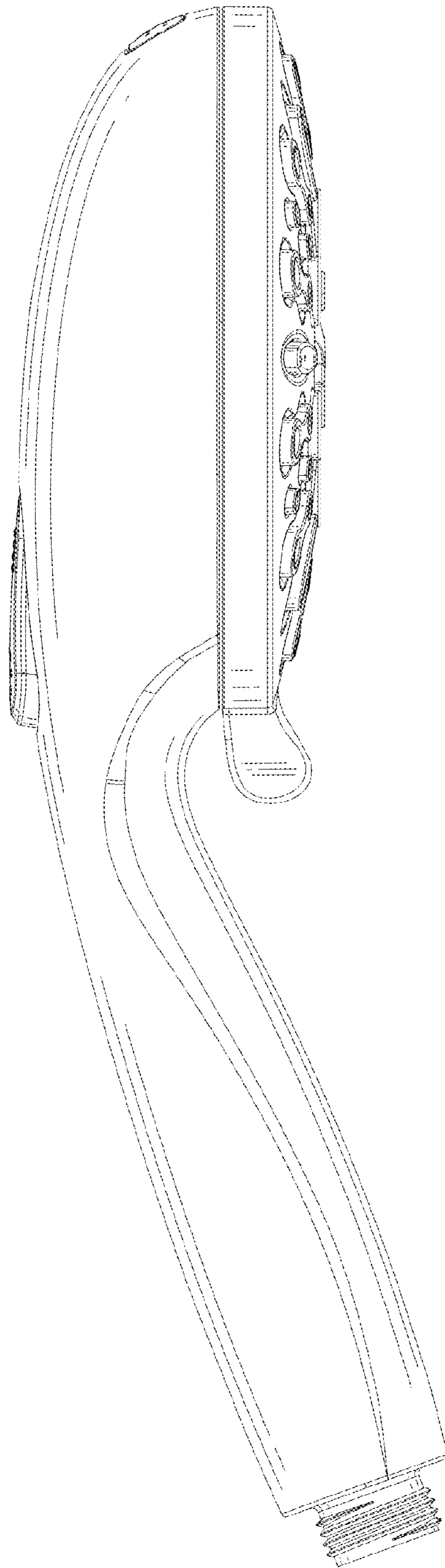


FIG. 5

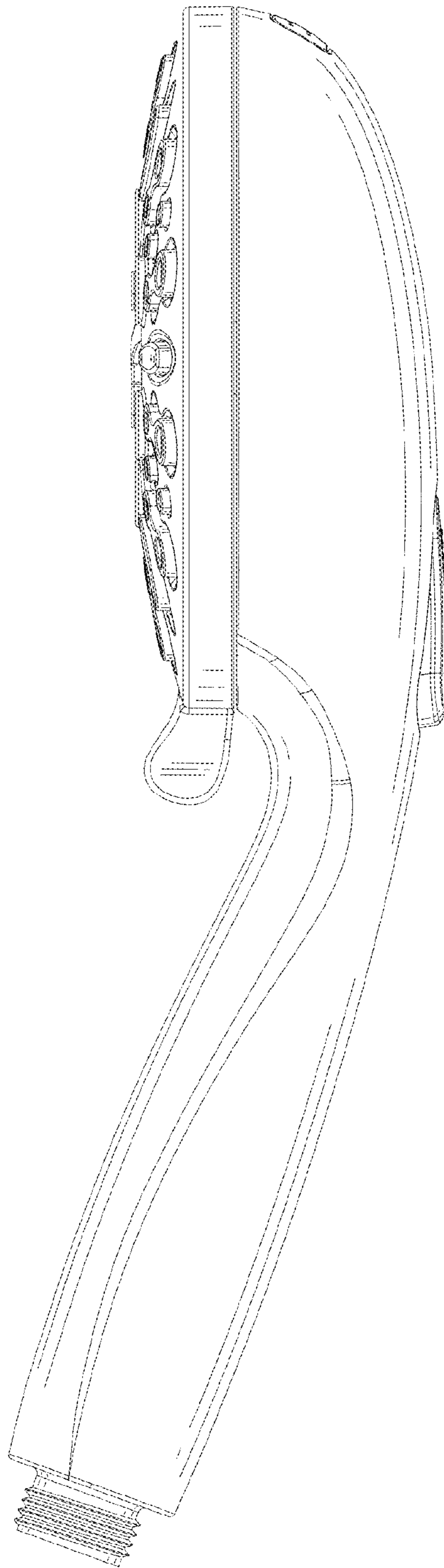


FIG. 6

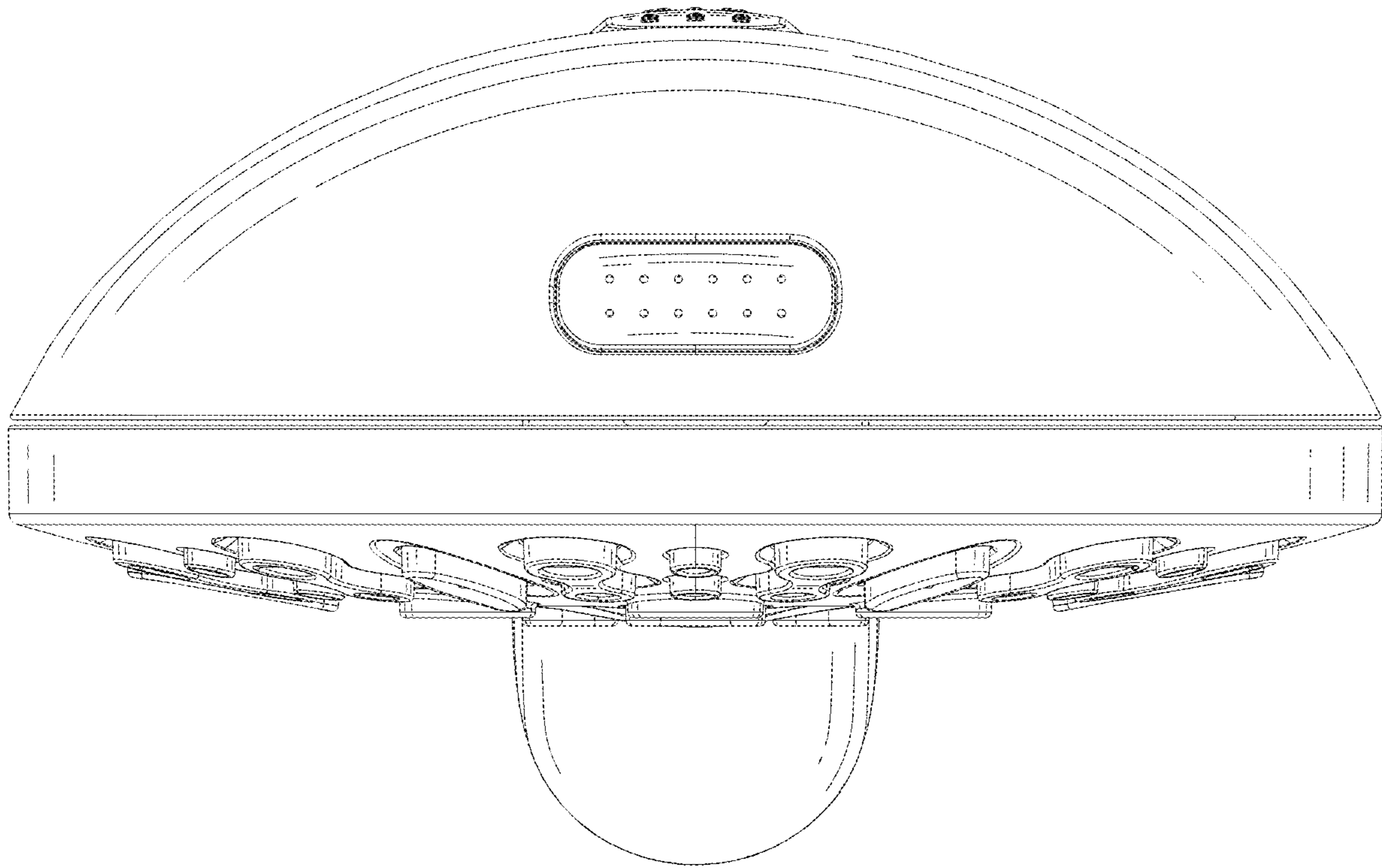


FIG. 7

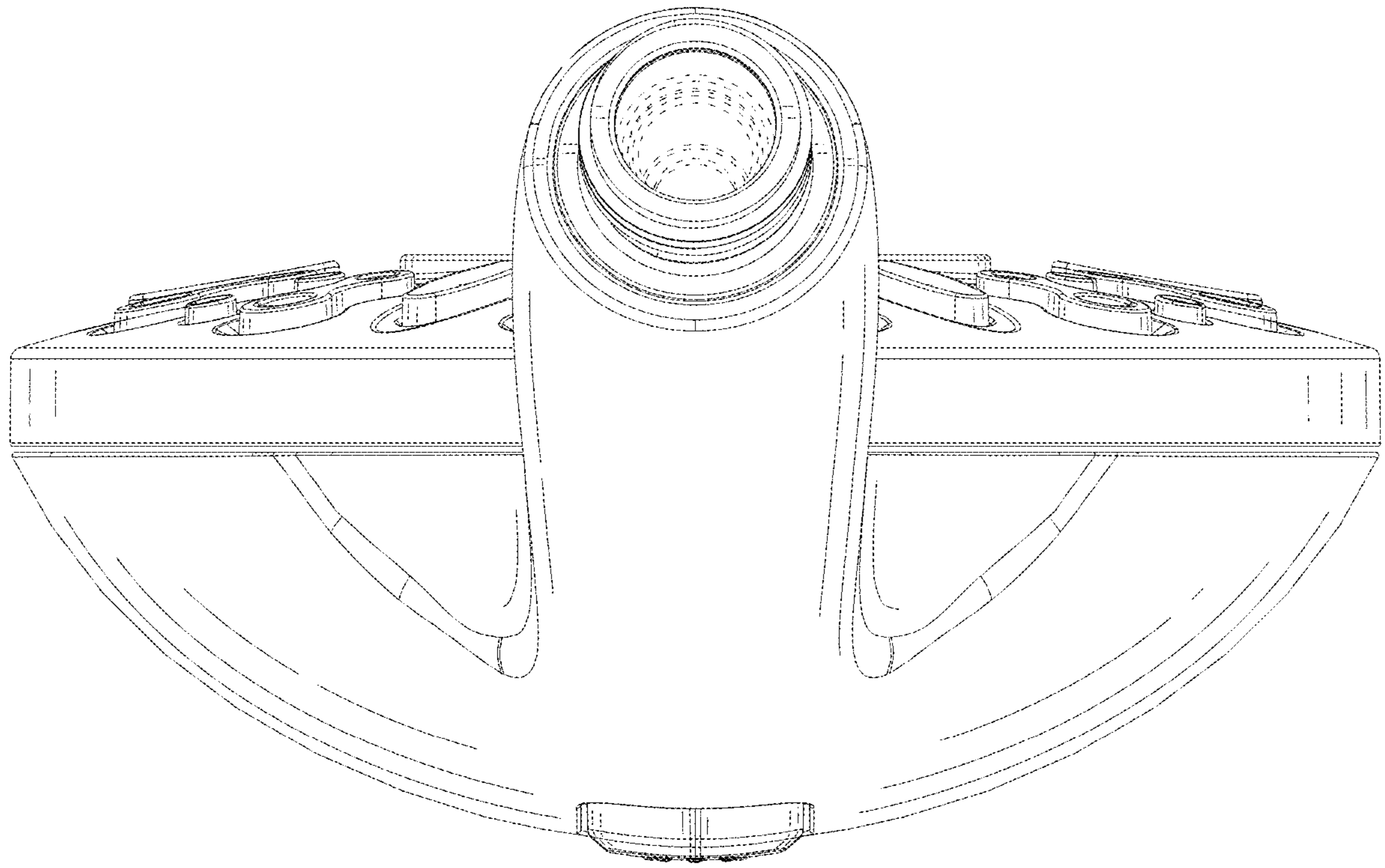


FIG. 8

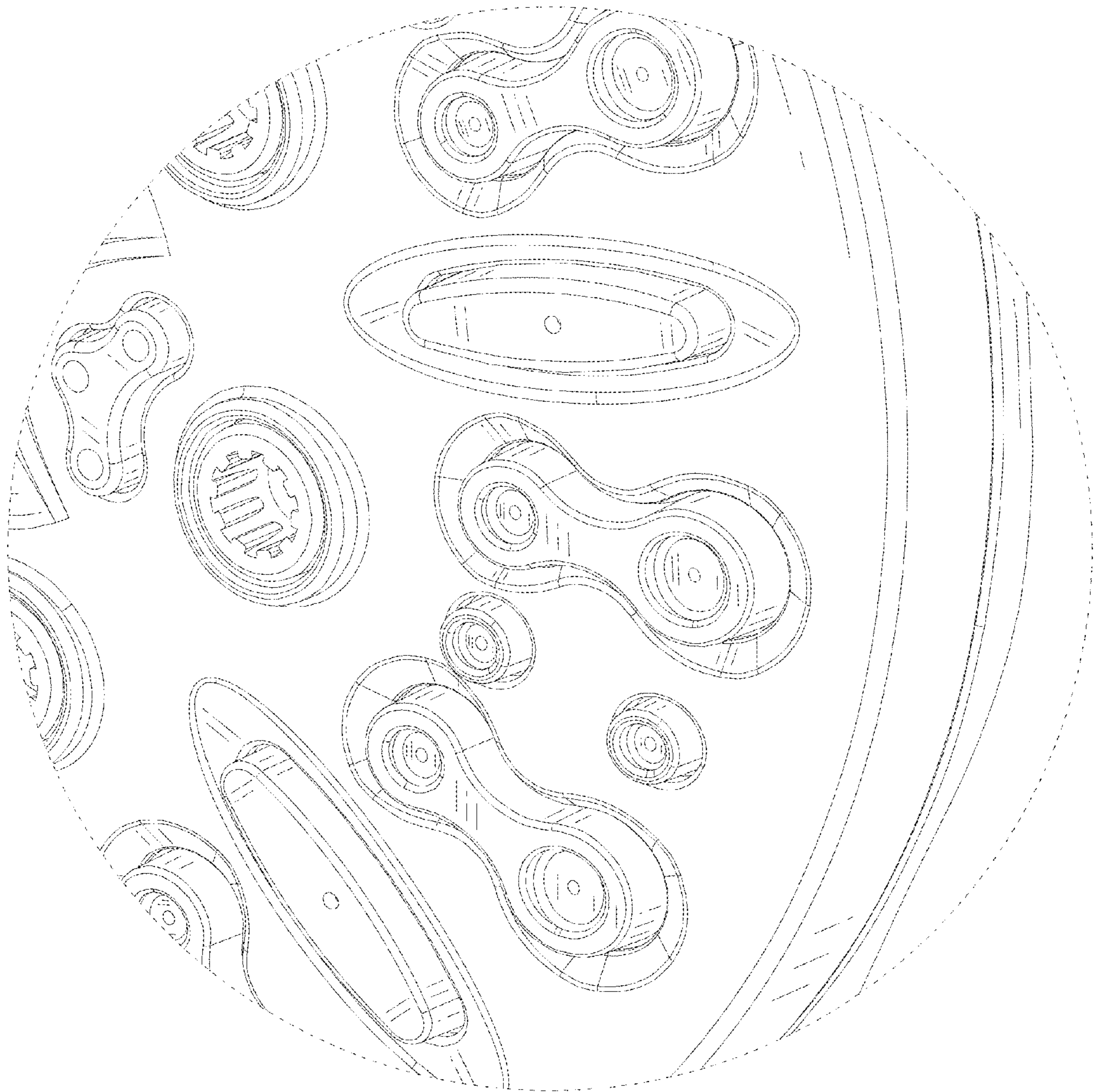


FIG. 9