



US00D963791S

(12) **United States Design Patent**
Melkonian

(10) **Patent No.:** **US D963,791 S**
(45) **Date of Patent:** **** Sep. 13, 2022**

(54) **FILTER**

(71) Applicant: **Brio Water Technology, Inc.**, City of Industry, CA (US)

(72) Inventor: **Arman Melkonian**, Granada Hills, CA (US)

(73) Assignee: **Brio Water Technology, Inc.**, City of Industry (CA)

(**) Term: **15 Years**

(21) Appl. No.: **29/739,371**

(22) Filed: **Jun. 24, 2020**

(51) **LOC (13) Cl.** **23-01**

(52) **U.S. Cl.**
USPC **D23/209**

(58) **Field of Classification Search**
USPC D23/207, 209, 210, 355, 363, 365
CPC B01D 27/00; B01D 29/00; B01D 29/0095;
B01D 35/0276; B01D 35/30; B01D
35/34; B01D 2201/29; B01D 2201/305;
B01D 2221/02; C02F 1/003; C02F
2307/10

See application file for complete search history.

(56) **References Cited**

U.S. PATENT DOCUMENTS

D356,625 S * 3/1995 Petrucci D23/209
5,914,037 A * 6/1999 Yen B01D 35/153
210/234
5,919,362 A * 7/1999 Barnes B01D 35/30
210/441
D570,951 S * 6/2008 Morita D23/209
D599,880 S * 9/2009 Rampen D23/209
D668,740 S * 10/2012 Kulikov D23/209
D679,779 S * 4/2013 Reid D23/209
D752,707 S * 3/2016 Huda D23/209
D813,357 S * 3/2018 Bryant D23/209
D820,948 S * 6/2018 An D23/209

D835,752 S * 12/2018 Spiegel D23/209
D841,499 S * 2/2019 Drewes D24/186
D845,433 S * 4/2019 Zou D23/209
D857,840 S * 8/2019 Lu D23/209
D894,329 S * 8/2020 Qiang D23/209
D894,336 S * 8/2020 Huaping D23/209
2001/0023843 A1 * 9/2001 Senner B01D 35/143
210/232
2013/0068682 A1 * 3/2013 Kruckenberg B01D 35/306
210/232

(Continued)

FOREIGN PATENT DOCUMENTS

CN 303455642 * 5/2015

OTHER PUBLICATIONS

Brio 2 Stage Water Cooler Filter, Jan. 6, 2020, Amazon, site visited Jan. 27, 2022: <https://www.amazon.com/dp/B083JP8GXW/> (Year: 2020).*

(Continued)

Primary Examiner — Jack Reickel
Assistant Examiner — Bobby W Jones, II
(74) *Attorney, Agent, or Firm* — Foundation Law Group LLP; Sevag Demirjian; J D Harriman

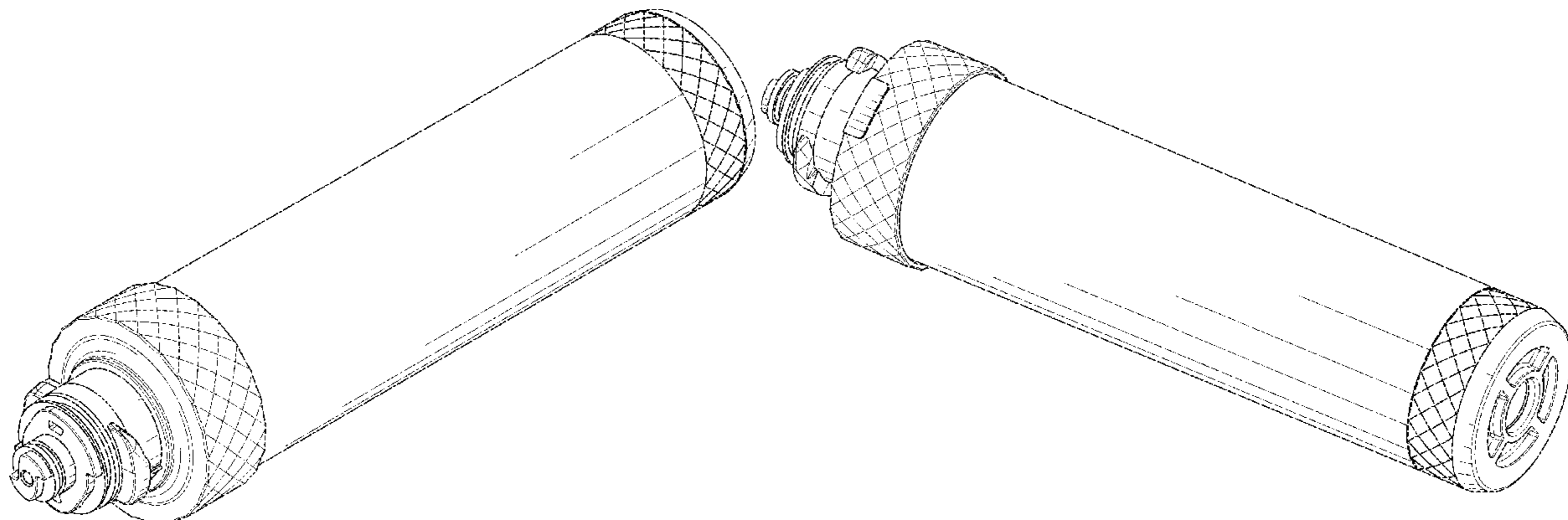
(57) **CLAIM**

The ornamental design for a filter, as shown and described.

DESCRIPTION

FIG. 1 is a top perspective view, showing our new design; FIG. 2 is a bottom perspective view; FIG. 3 is a front elevation view thereof; FIG. 4 is a rear elevation view thereof; FIG. 5 is a left side elevation view thereof; FIG. 6 is a right-side view thereof; FIG. 7 is a top plan view thereof; and, FIG. 8 is a bottom plan view thereof.

1 Claim, 8 Drawing Sheets



(56)

References Cited

U.S. PATENT DOCUMENTS

2014/0166569 A1* 6/2014 Chow B01D 35/30
210/440
2014/0238920 A1* 8/2014 Ergican B01D 35/30
210/232
2015/0307365 A1* 10/2015 Baird G01M 3/26
73/40.7
2017/0056797 A1* 3/2017 Kang B01D 35/00
2019/0374885 A1* 12/2019 Rubin B01D 35/30
2020/0047095 A1* 2/2020 Wei B01D 29/33
2020/0114285 A1* 4/2020 Courtney B01D 27/08

OTHER PUBLICATIONS

Avalon 2 Stage Replacement Filters, Dec. 11, 2017, Amazon, site visited Jan. 27, 2022: <https://www.amazon.com/DP/B0786VV153/> (Year: 2017).*

* cited by examiner

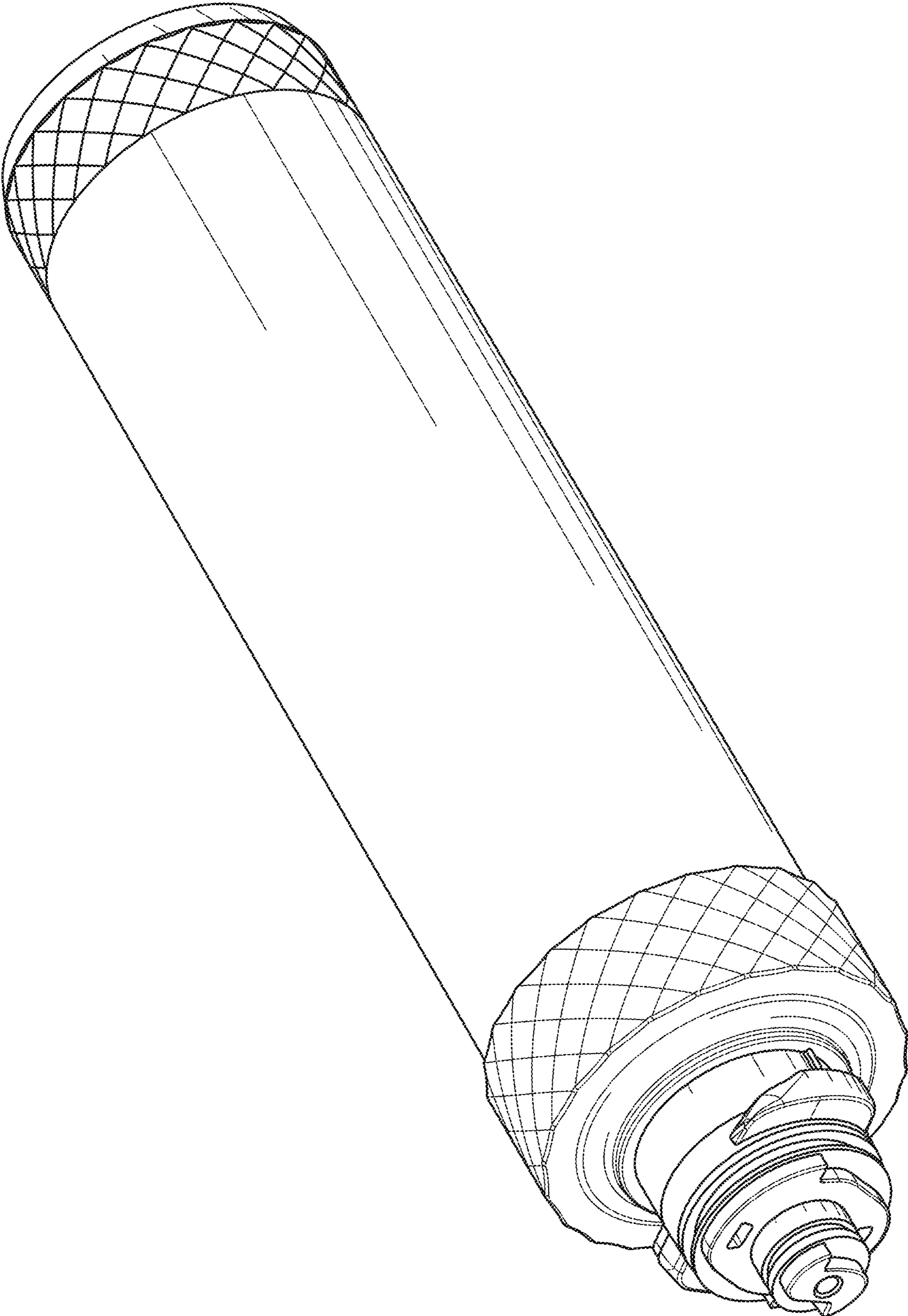


FIG. 1

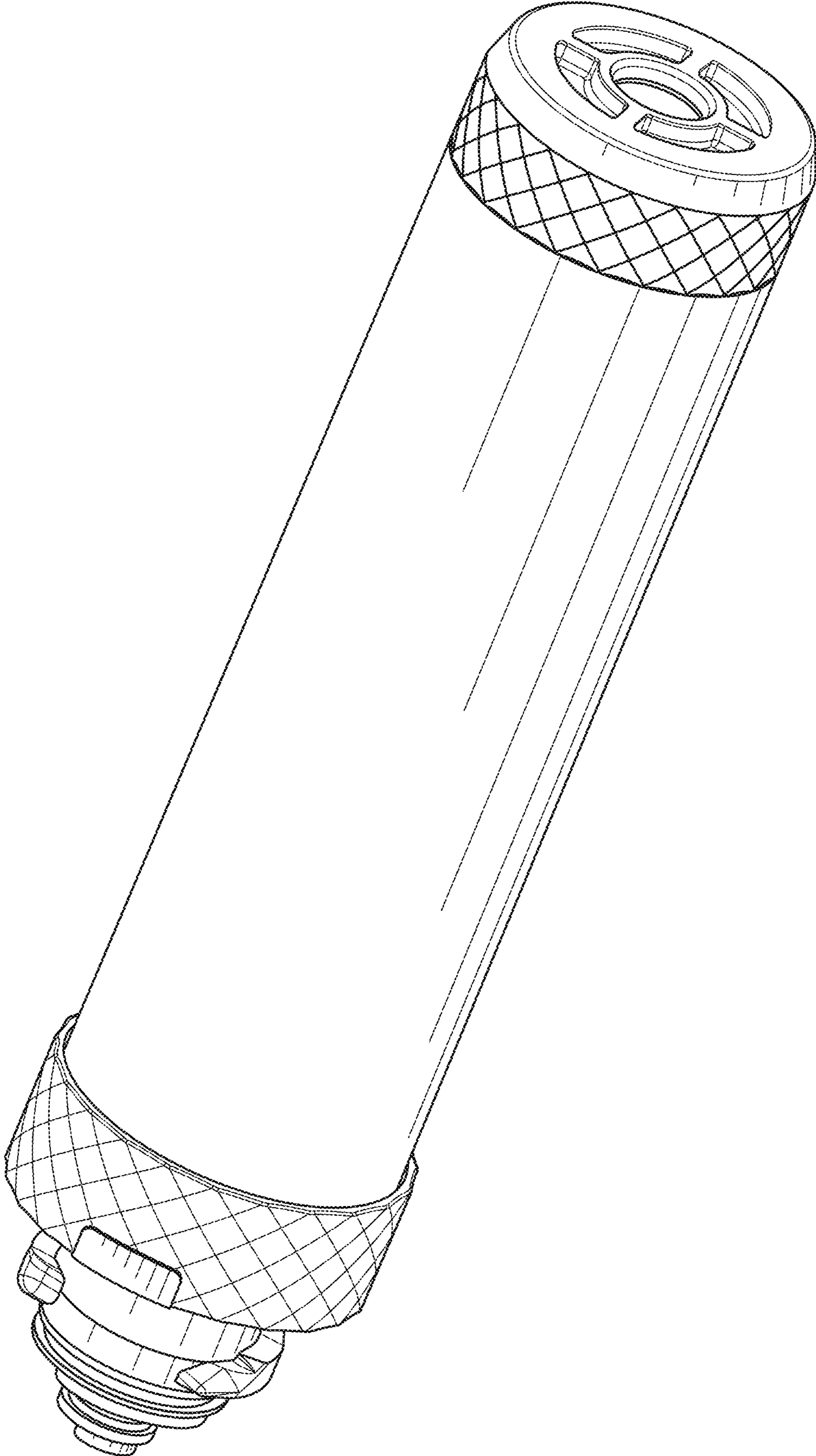


FIG. 2

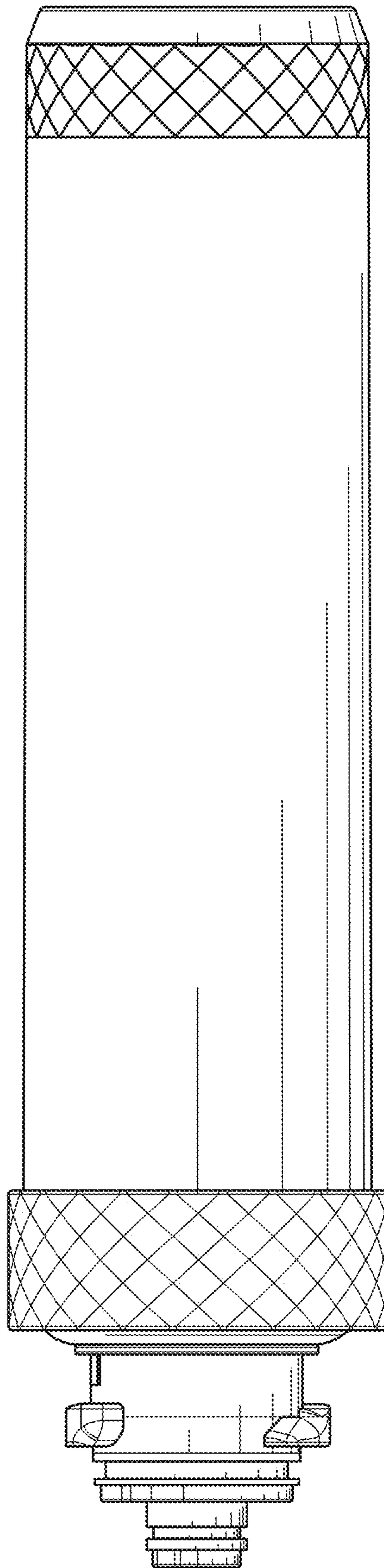


FIG. 3

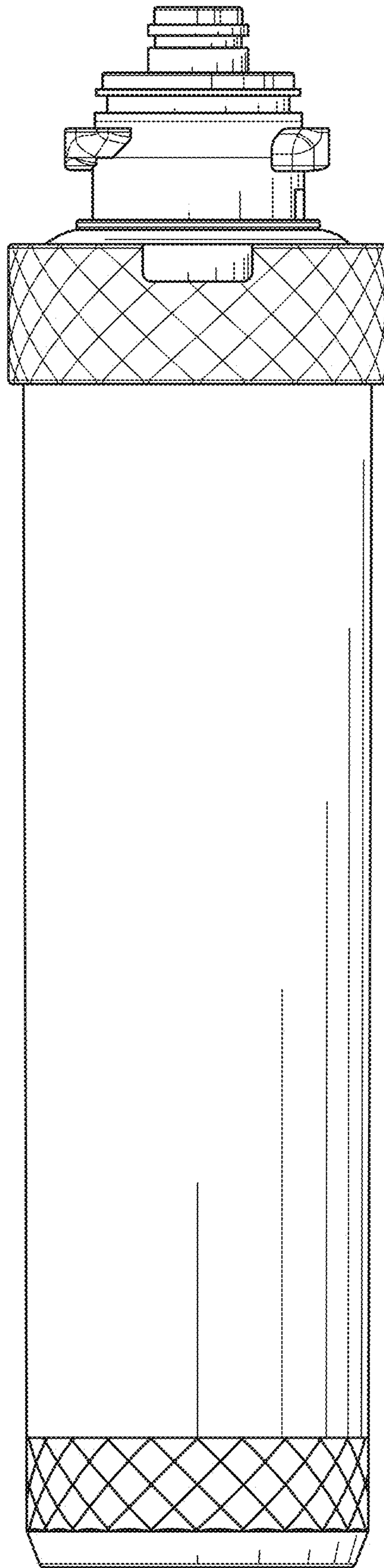


FIG. 4

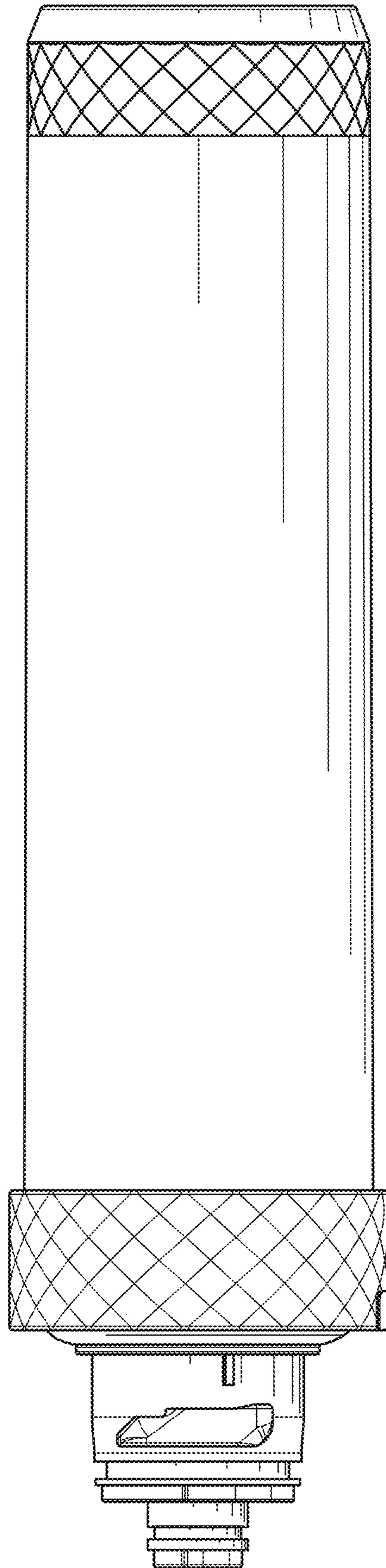


FIG. 5

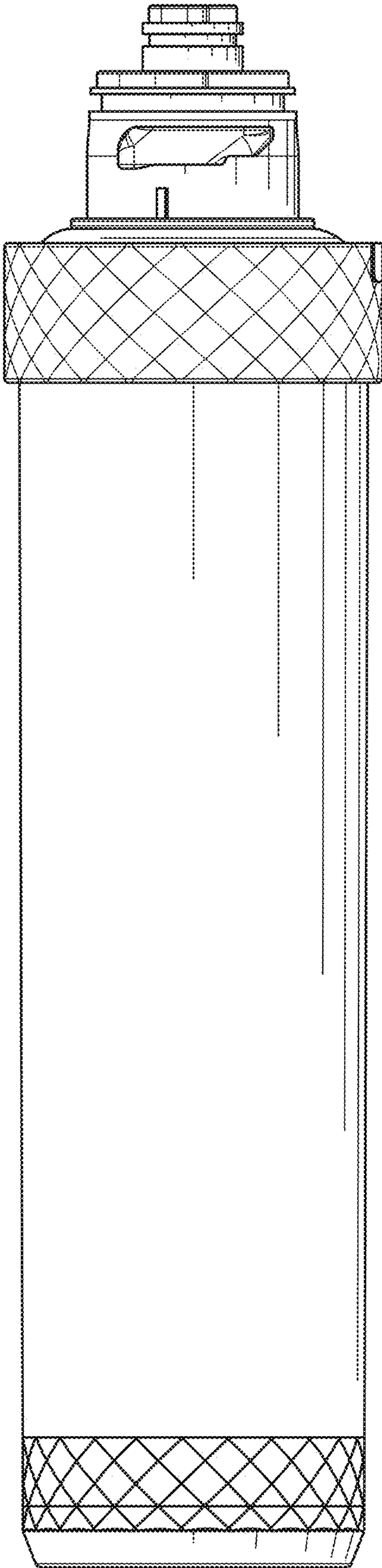


FIG. 6

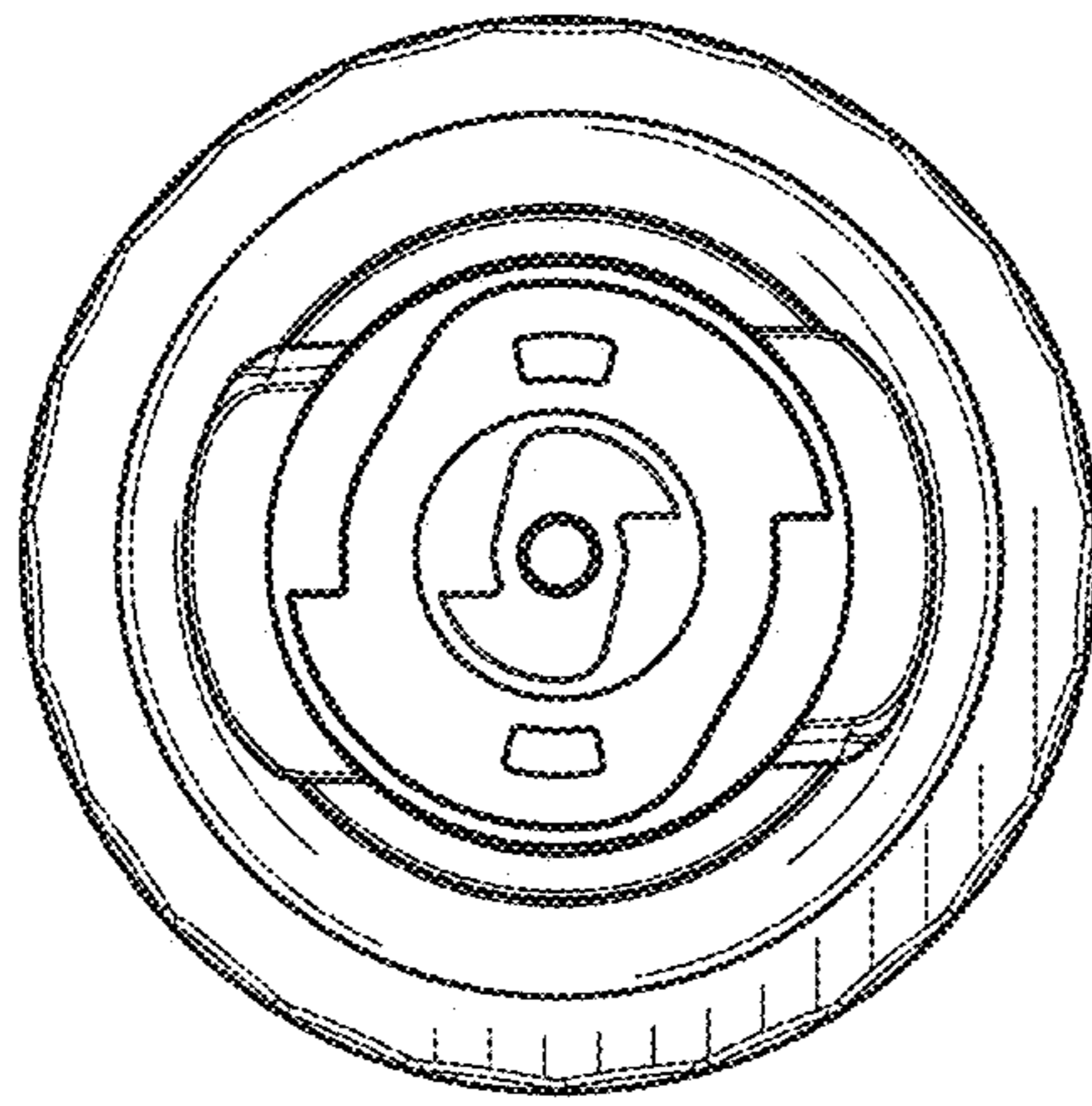


FIG. 7

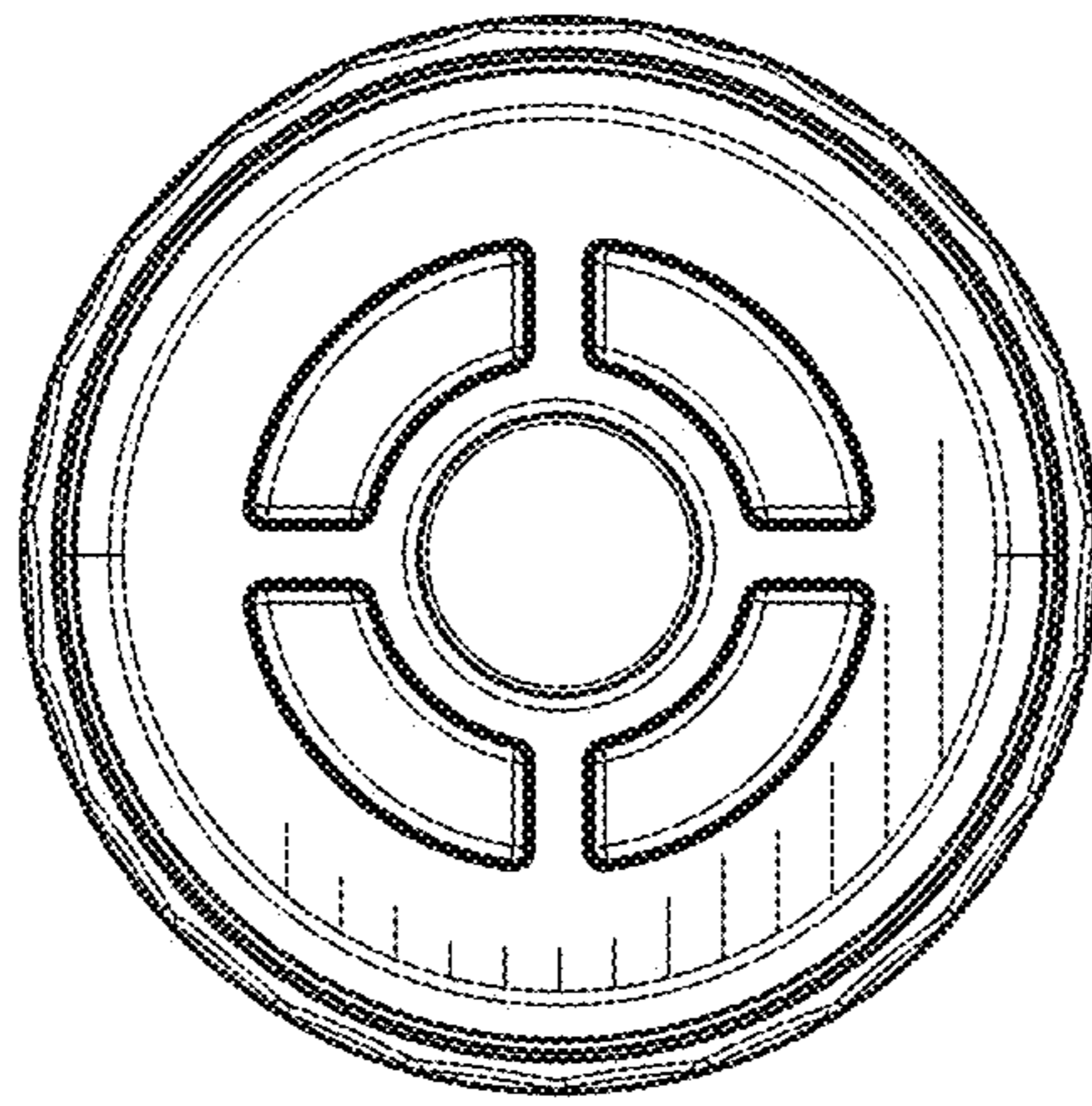


FIG. 8