



US00D963789S

(12) **United States Design Patent**
Arashima

(10) **Patent No.:** **US D963,789 S**

(45) **Date of Patent:** **** Sep. 13, 2022**

(54) **STORAGE CONTAINER FOR HIGH PRESSURE LIQUID OR GAS**

B65D 2519/00502; B65D 2543/00296;
Y10T 29/49826; F17C 13/06

See application file for complete search history.

(71) Applicant: **Japan Steel Works M&E, Inc.**,
Hokkaido (JP)

(56) **References Cited**

(72) Inventor: **Hironobu Arashima**, Muroran (JP)

U.S. PATENT DOCUMENTS

(73) Assignee: **Japan Steel Works M&E, Inc.**,
Hokkaido (JP)

3,006,360 A 10/1961 Oxen Ham
D209,266 S * 11/1967 Brown D23/205
3,648,885 A 3/1972 Kitsuda
3,776,412 A 12/1973 Mink
D243,530 S 3/1977 Bodine

(**) Term: **15 Years**

(Continued)

(21) Appl. No.: **29/784,272**

Primary Examiner — Richard E Chilcot

(22) Filed: **May 18, 2021**

(74) *Attorney, Agent, or Firm* — SGPatents PLLC

Related U.S. Application Data

(62) Division of application No. 35/507,453, filed on Feb. 28, 2019 (U.S. filing date under 35 U.S.C. 384), and having an international filing date of Feb. 28, 2019, now Pat. No. Des. 921,832.

(57) **CLAIM**

The ornamental design for a storage container for high pressure liquid or gas, as shown and described.

DESCRIPTION

(30) **Foreign Application Priority Data**

Sep. 6, 2018 (JP) 2018-019446
Sep. 6, 2018 (JP) 2018-019447

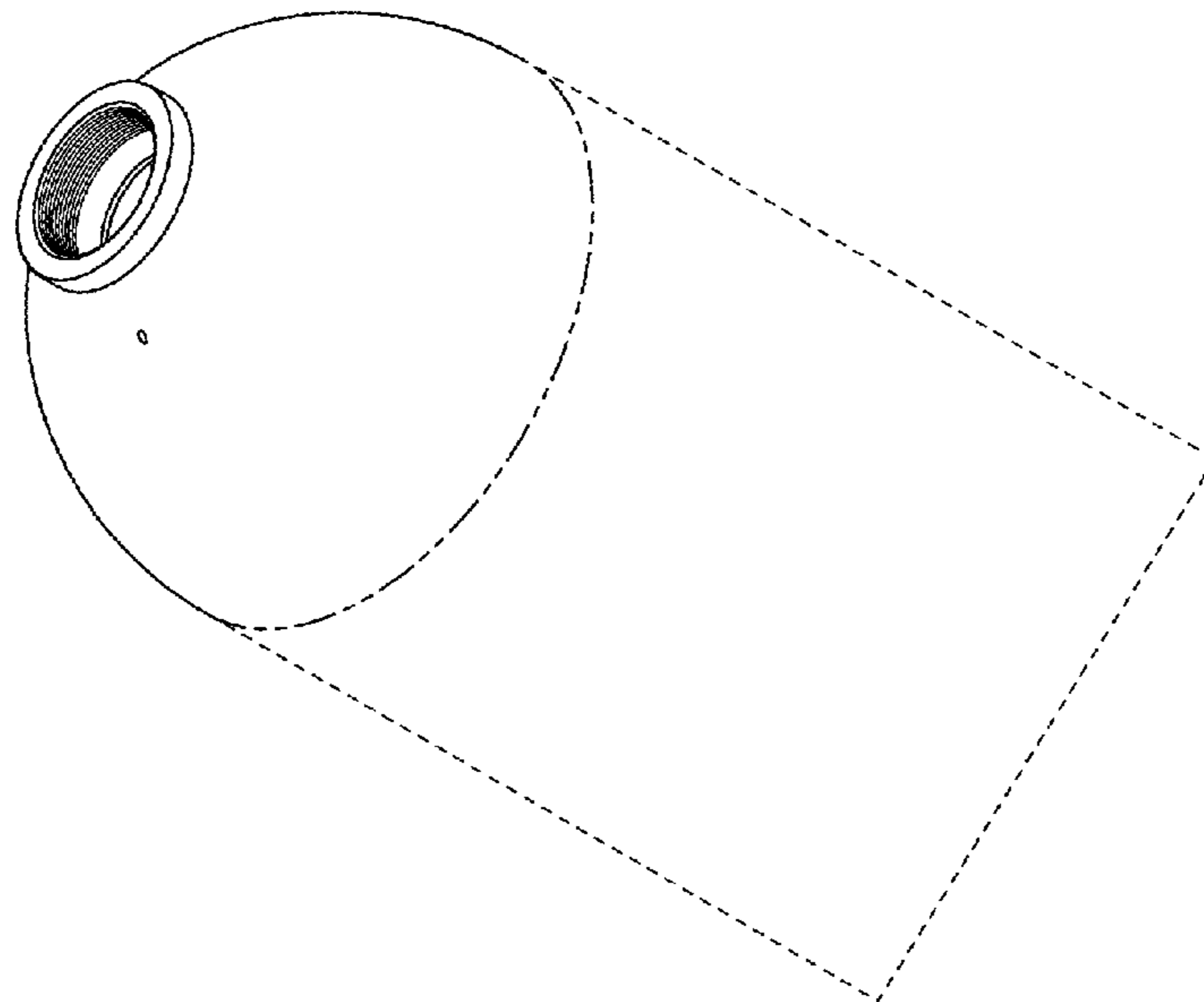
(51) **LOC (13) Cl.** **23-01**

(52) **U.S. Cl.**
USPC **D23/206**
CPC **B21D 51/26** (2013.01)

(58) **Field of Classification Search**
USPC D9/500, 516, 530, 763–783, 521, 545,
D9/434, 435, 454; D23/205, 211.1,
D23/211.2, 206, 660, 669, 675;
215/381–385
CPC B21D 51/26; B21D 51/383; B29C 66/71;
B65D 1/40; B65D 1/0223; B65D 1/0246;
B65D 17/163; B65D 17/165; B65D
25/00; B65D 2215/02; B65D 2517/0094;

FIG. 1A is a front view of a storage container for high pressure liquid or gas, showing my new design.
FIG. 1B is a rear view of the storage container.
FIG. 1C is a right-side view of the storage container.
FIG. 1D is a left-side view of the storage container.
FIG. 1E is a top view of the storage container.
FIG. 1F is a bottom view of the storage container.
FIG. 1G is a cross-sectional view of the storage container.
FIG. 1H is an upper perspective view of the storage container.
FIG. 1I is a lower perspective view of the storage container.
FIG. 1J is an enlarged view of FIG. 1D.
FIG. 1K is an enlarged view of a portion of FIG. 1G; and,
FIG. 1L is an enlarged view of a portion of FIG. 1L.
The dashed lines illustrate parts of the storage container that form no part of the claimed design. The dash-dot-dot-dash broken lines illustrate only the boundaries of the claimed parts and the unclaimed parts.

1 Claim, 12 Drawing Sheets



(56)

References Cited

U.S. PATENT DOCUMENTS

4,098,416 A 7/1978 Fawley
 D252,786 S 9/1979 Doerner
 4,332,331 A 6/1982 Fawley
 D274,982 S 8/1984 Hunter
 D287,265 S * 12/1986 Edwards D23/206
 4,645,091 A 2/1987 Madden
 4,690,295 A 9/1987 Wills
 D294,169 S 2/1988 Kostanecki
 D294,170 S 2/1988 Kostanecki
 D294,171 S 2/1988 Kostanecki
 D304,676 S 11/1989 Glynn
 4,944,424 A * 7/1990 Wood, Jr. F17C 13/06
 220/725
 4,967,923 A 11/1990 Wren
 5,004,117 A 4/1991 Kitsuda
 5,158,204 A * 10/1992 Martrich F17C 13/06
 220/304
 D370,251 S 5/1996 Nakahara
 D404,464 S 1/1999 Niemczyk
 D427,964 S * 7/2000 Smith D13/103
 6,415,946 B2 * 7/2002 Carlo F17C 13/084
 220/724
 D470,221 S 2/2003 Niemczyk
 7,195,031 B2 3/2007 Trettin
 D559,348 S 1/2008 Dias
 D566,807 S 4/2008 Oliveira
 7,373,947 B2 5/2008 Trettin

7,415,988 B2 8/2008 Trettin
 D576,542 S 9/2008 Johnson
 D576,702 S 9/2008 Aguiar
 D643,122 S 8/2011 Basford
 D643,123 S 8/2011 Basford
 D643,124 S 8/2011 Basford
 D659,834 S 5/2012 Basford
 D660,434 S 5/2012 Basford
 8,528,586 B2 9/2013 Cannet
 D692,979 S 11/2013 Quick
 D692,980 S 11/2013 Quick
 D692,981 S 11/2013 Fowler
 D709,163 S 7/2014 Deruntz
 D733,847 S * 7/2015 Brown D23/262
 D747,438 S 1/2016 Sanchez
 D758,526 S 6/2016 Quail
 D759,787 S 6/2016 Molock
 D768,266 S 10/2016 Pareek
 D786,394 S 5/2017 Frenal
 D786,395 S 5/2017 Frenal
 D786,396 S 5/2017 Frenal
 D786,397 S 5/2017 Frenal
 D786,398 S 5/2017 Ligonesche
 D827,764 S 9/2018 Mangeot-Gehin
 D830,496 S * 10/2018 Washburn D23/202
 D845,435 S 4/2019 Pedrosa
 10,753,541 B2 8/2020 Aguiar
 D921,832 S * 6/2021 Arashima B21D 51/26
 D23/206
 D928,946 S * 8/2021 Sanchez D24/122

* cited by examiner

Fig. 1A

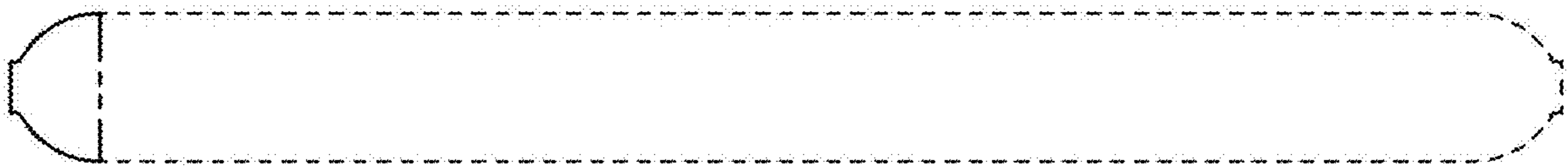


Fig. 1B

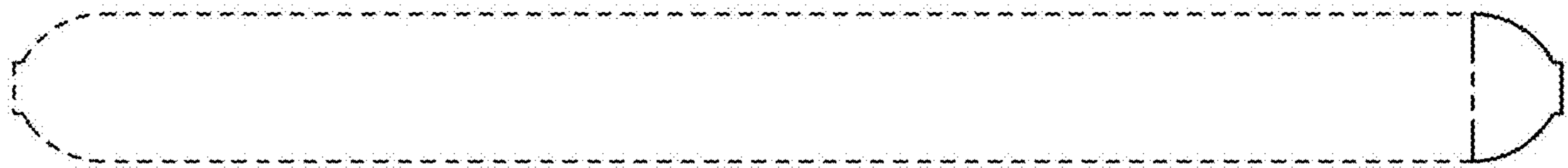


Fig. 1C

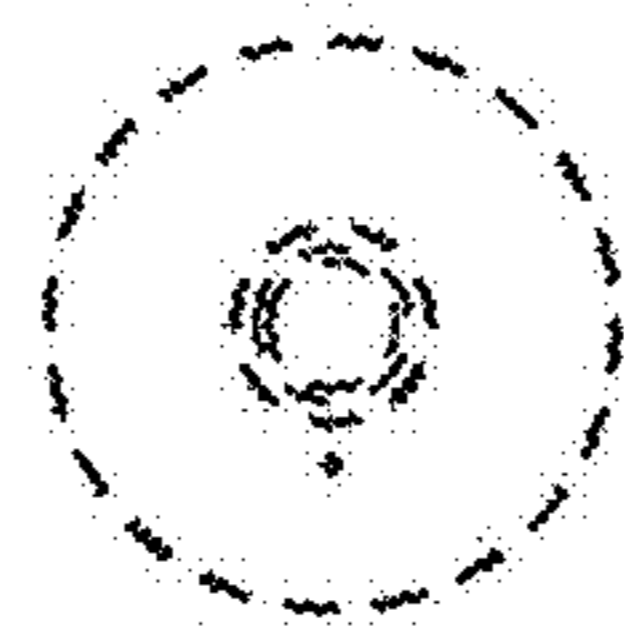


Fig. 1D

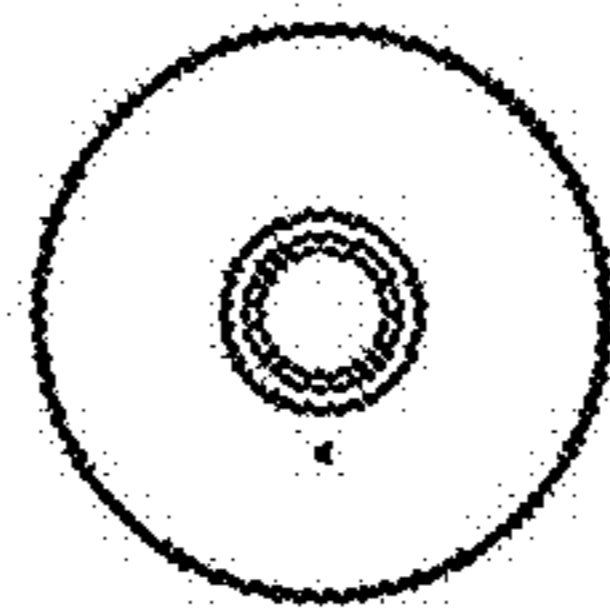


Fig. 1E

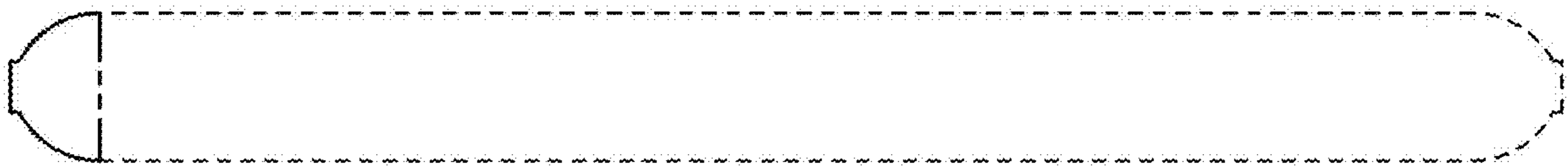


Fig. 1F



Fig. 1G

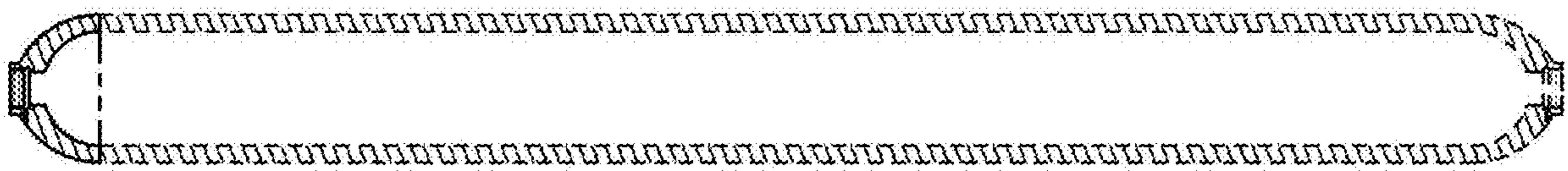


Fig. 1H

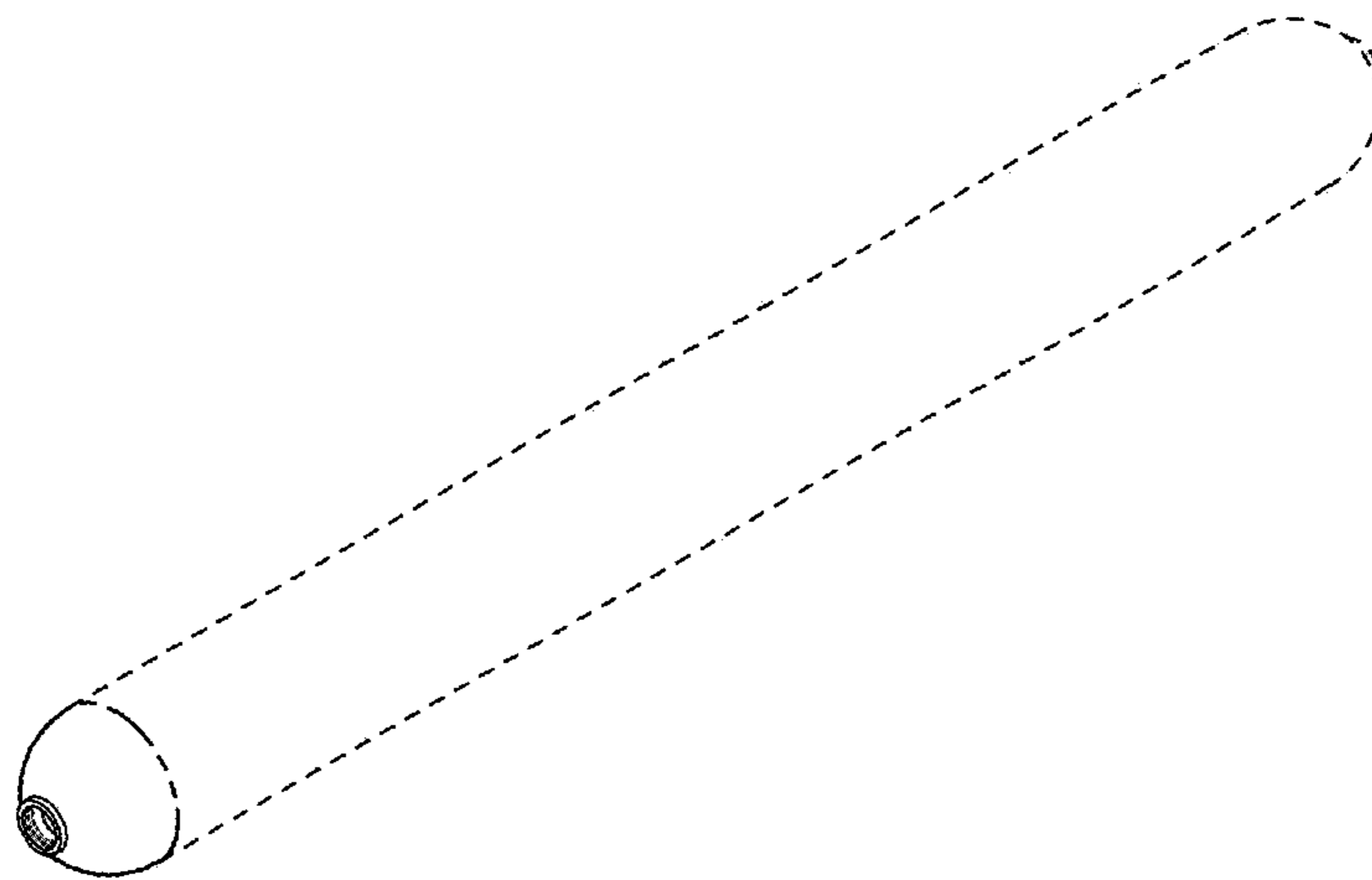


Fig. 11

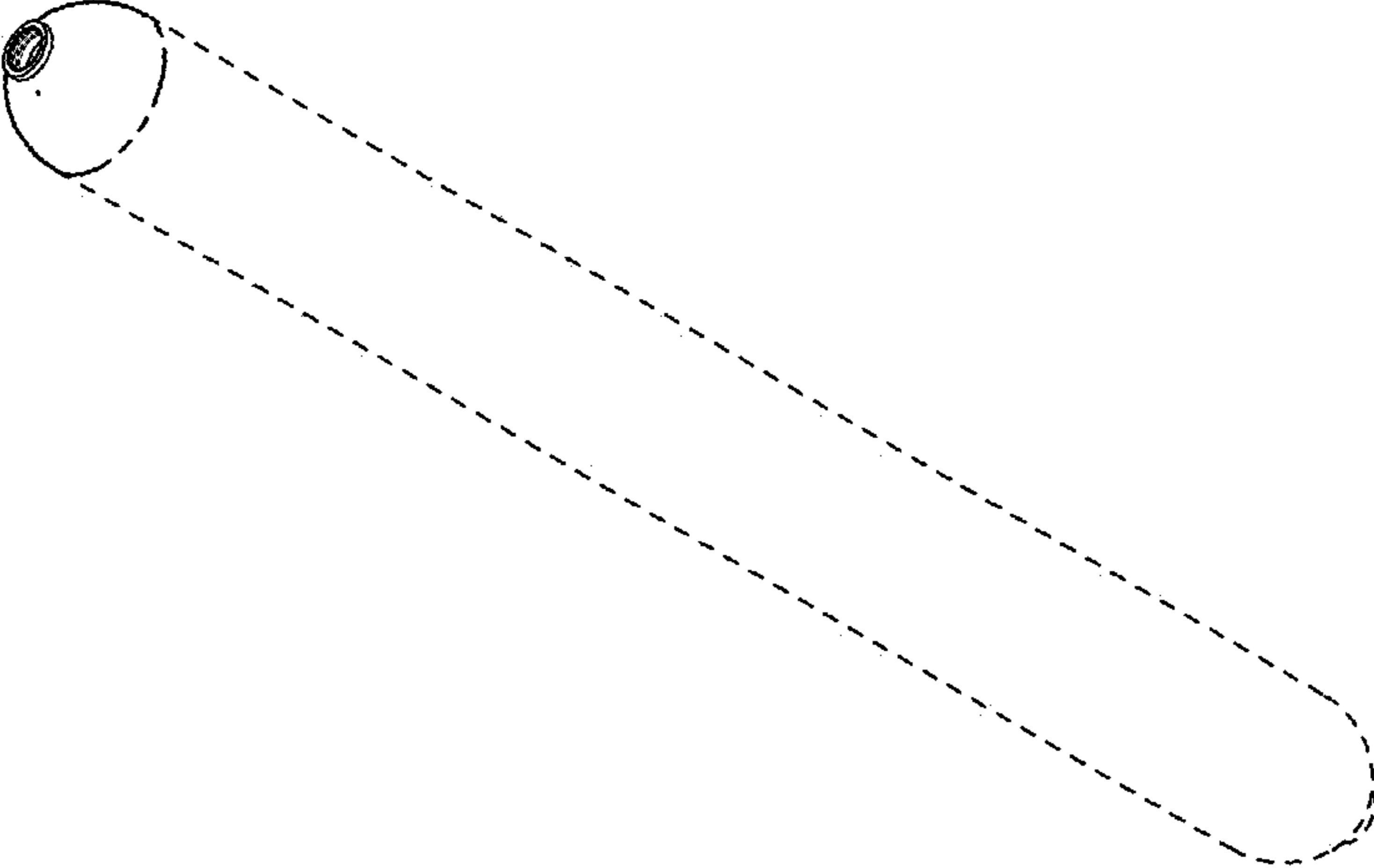
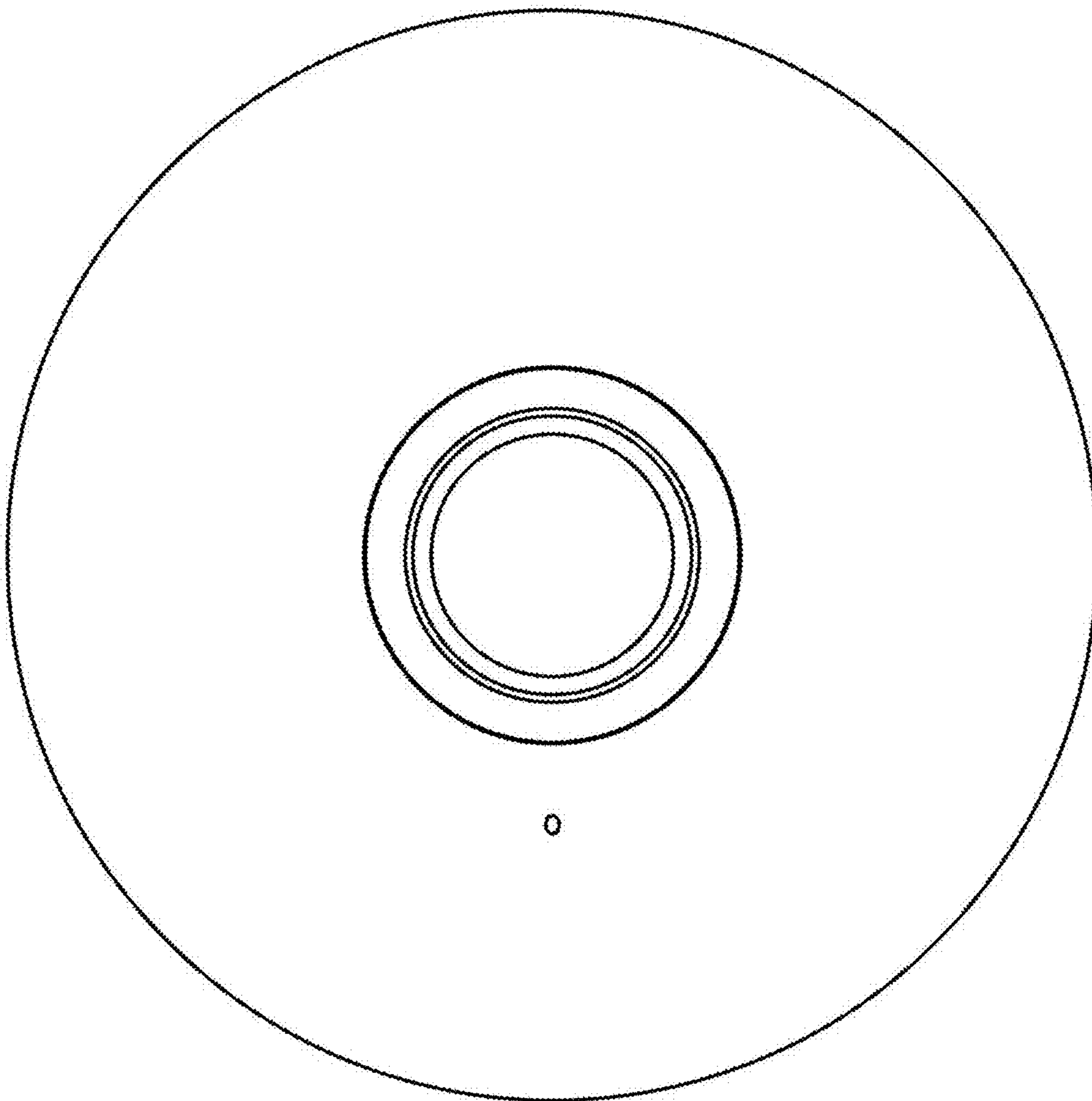


Fig. 1J



o

Fig. 1K

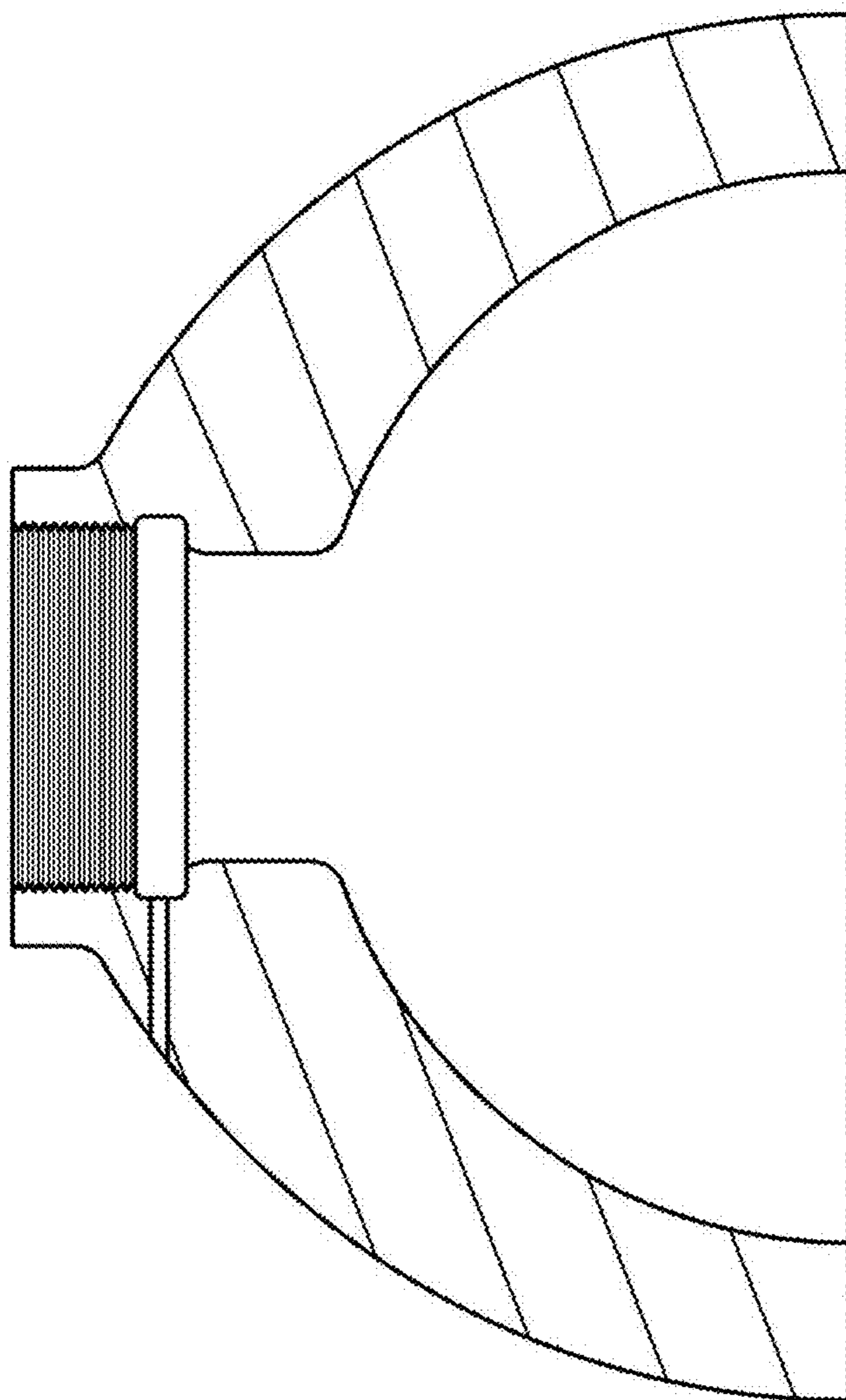


Fig. 1L

