



US00D963788S

(12) **United States Design Patent**
Guan

(10) **Patent No.:** **US D963,788 S**

(45) **Date of Patent:** **** Sep. 13, 2022**

(54) **FOUNTAIN**

(71) Applicant: **SHENZHEN OTTER PUMP INDUSTRY CO., LTD**, Shenzhen (CN)

(72) Inventor: **Tianpu Guan**, Yangjiang (CN)

(73) Assignee: **SHENZHEN OTTER PUMP INDUSTRY CO., LTD**, Shenzhen (CN)

(**) Term: **15 Years**

(21) Appl. No.: **29/778,533**

(22) Filed: **Apr. 14, 2021**

(30) **Foreign Application Priority Data**

Mar. 11, 2021 (CN) 202130131462.8

(51) **LOC (13) Cl.** **23-01**

(52) **U.S. Cl.**
USPC **D23/201**

(58) **Field of Classification Search**
USPC D23/200, 201, 213, 214, 215, 238;
D13/102, 118, 184, 199
CPC B05B 1/044; B05B 17/08; B05B 17/085;
F21S 9/037; F21W 2121/02; F21W
2131/109; F21W 2131/401
See application file for complete search history.

(56) **References Cited**

U.S. PATENT DOCUMENTS

- 3,838,816 A * 10/1974 Huff B05B 17/08
239/18
- D475,116 S * 5/2003 Chan D23/201
- D610,741 S * 2/2010 Trimi D26/120
- D631,128 S * 1/2011 Laporta D23/201
- D877,855 S * 3/2020 Wei D23/201
- D899,558 S * 10/2020 Wei D23/201
- D939,042 S * 12/2021 Guan D23/201

- D944,916 S * 3/2022 Chen D23/201
- D946,695 S * 3/2022 Yan D23/201
- D947,315 S * 3/2022 Wu D23/201
- 2004/0020999 A1 * 2/2004 Beidokhti B05B 17/08
239/17
- 2008/0191053 A1 * 8/2008 Liao B05B 17/08
239/17
- 2020/0156087 A1 * 5/2020 Dane B05B 1/10
(Continued)

OTHER PUBLICATIONS

Solar Powered Water Fountain, Mar. 16, 2022, Amazon, site visited Jul. 22, 2022: <https://www.amazon.co.uk/dp/B09VPZWTCP/> (Year: 2022).*

(Continued)

Primary Examiner — Jack Reickel
Assistant Examiner — Bobby W Jones, II

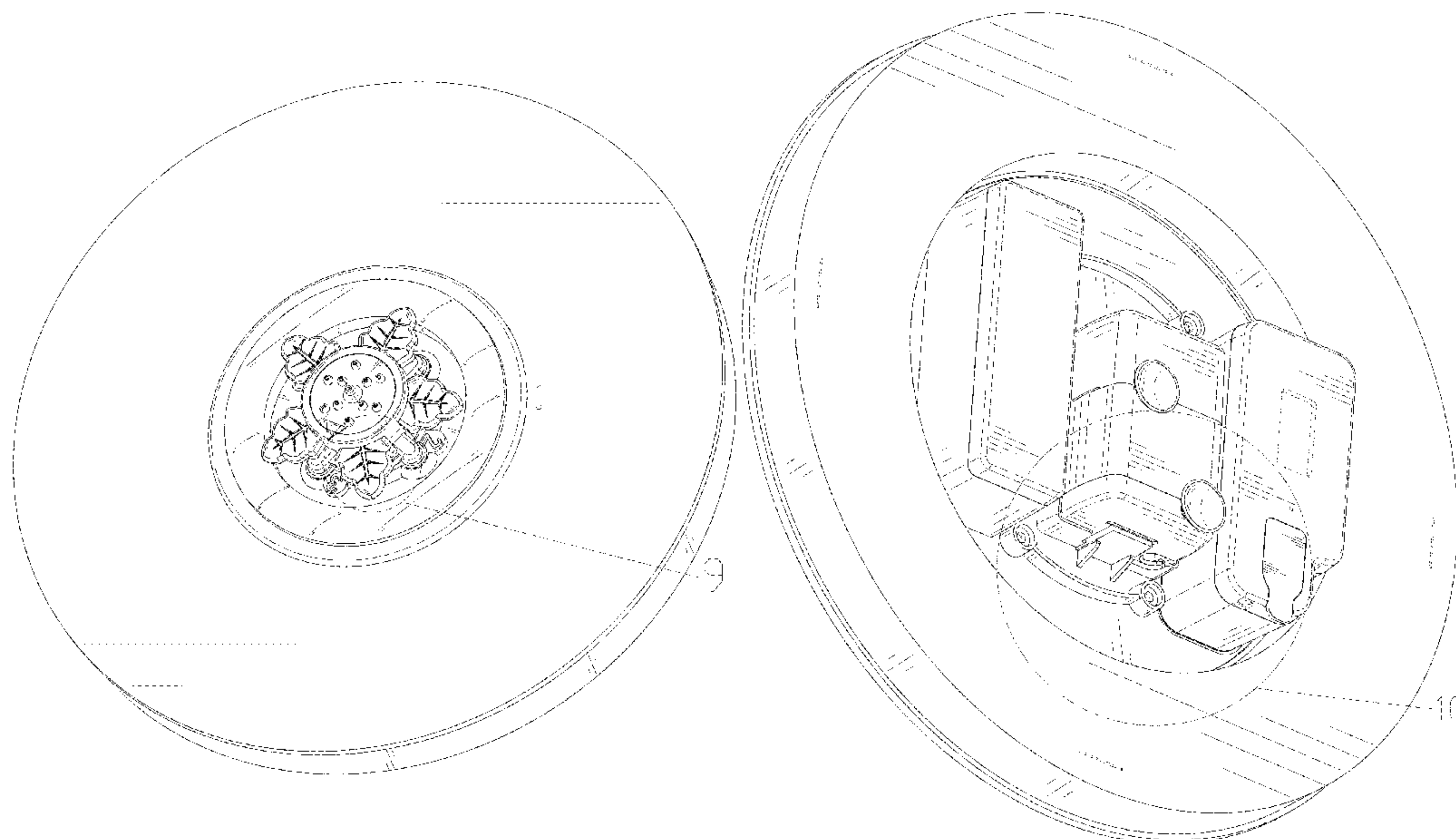
(57) **CLAIM**

The ornamental design for a fountain, as shown and described.

DESCRIPTION

FIG. 1 is a perspective view of a fountain showing my new design;
FIG. 2 is another perspective view thereof;
FIG. 3 is a front elevational view thereof;
FIG. 4 is a rear elevational view thereof;
FIG. 5 is a left side elevational view thereof;
FIG. 6 is a right side elevational view thereof;
FIG. 7 is a top plan view thereof;
FIG. 8 is a bottom plan view thereof;
FIG. 9 is an enlarged view of portion 9 shown in FIG. 1; and,
FIG. 10 is an enlarged view of portion 10 shown in FIG. 2.
The broken lines in the drawings depict portions of the fountain that form no part of the claimed design.

1 Claim, 10 Drawing Sheets



(56)

References Cited

U.S. PATENT DOCUMENTS

2020/0254466 A1* 8/2020 Dane B05B 1/28
2021/0102543 A1* 4/2021 Reeves-Jackson ... F04D 13/024
2021/0225213 A1* 7/2021 Muck F21V 23/06
2022/0008950 A1* 1/2022 Chen F21S 9/037

OTHER PUBLICATIONS

Decdeal 5V 3W Solar Water Fountain, Mar. 5, 2021, Amazon, site visited Jul. 22, 2022: <https://www.amazon.co.uk/dp/B08Y1BLJM3/> (Year: 2021).*

Goldflower Solar Fountain, Jan. 28, 2021, Amazon, site visited Jul. 22, 2022: <https://www.amazon.com/dp/B08V8G56CF/> (Year: 2021).*

* cited by examiner

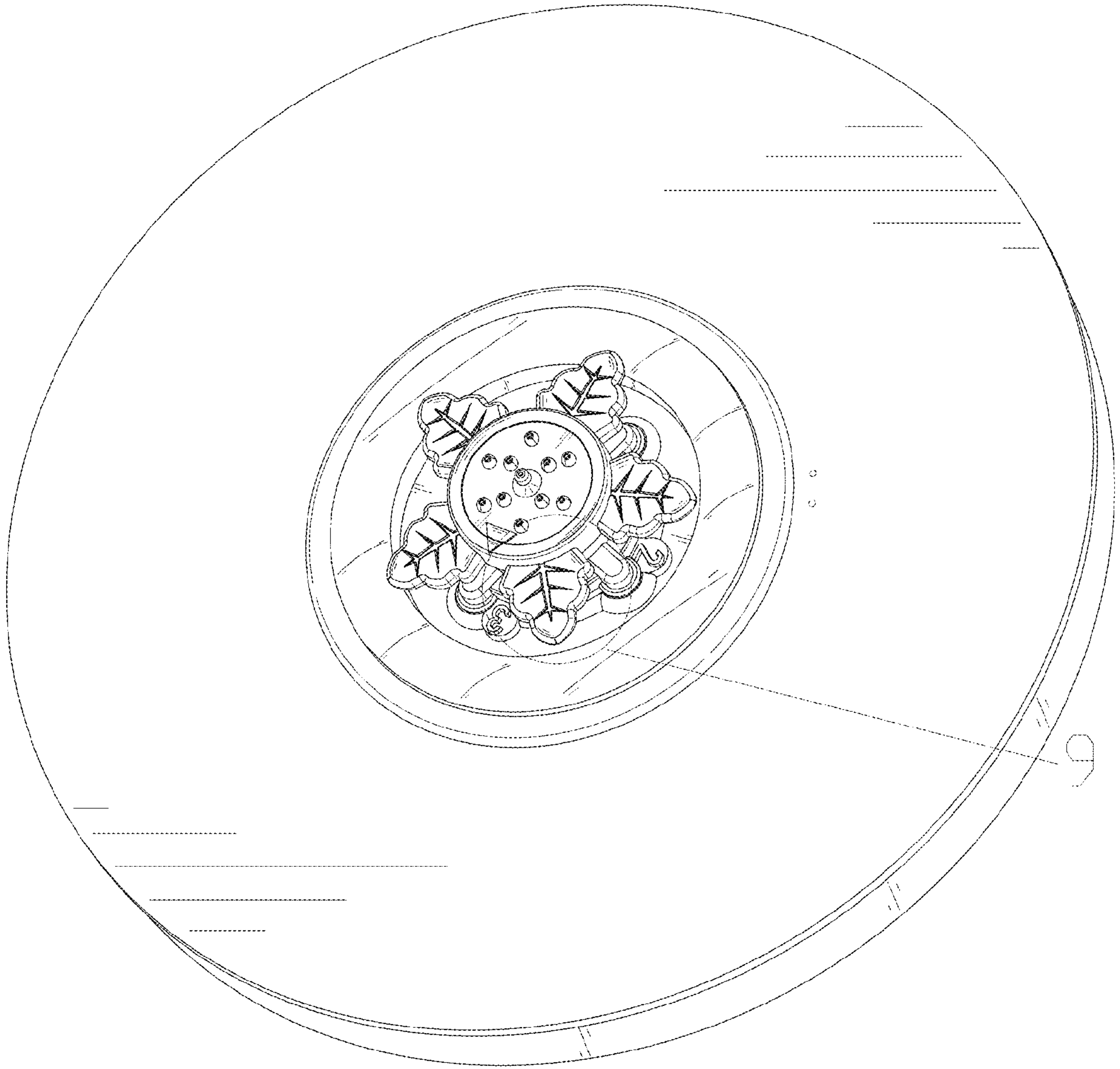


FIG. 1

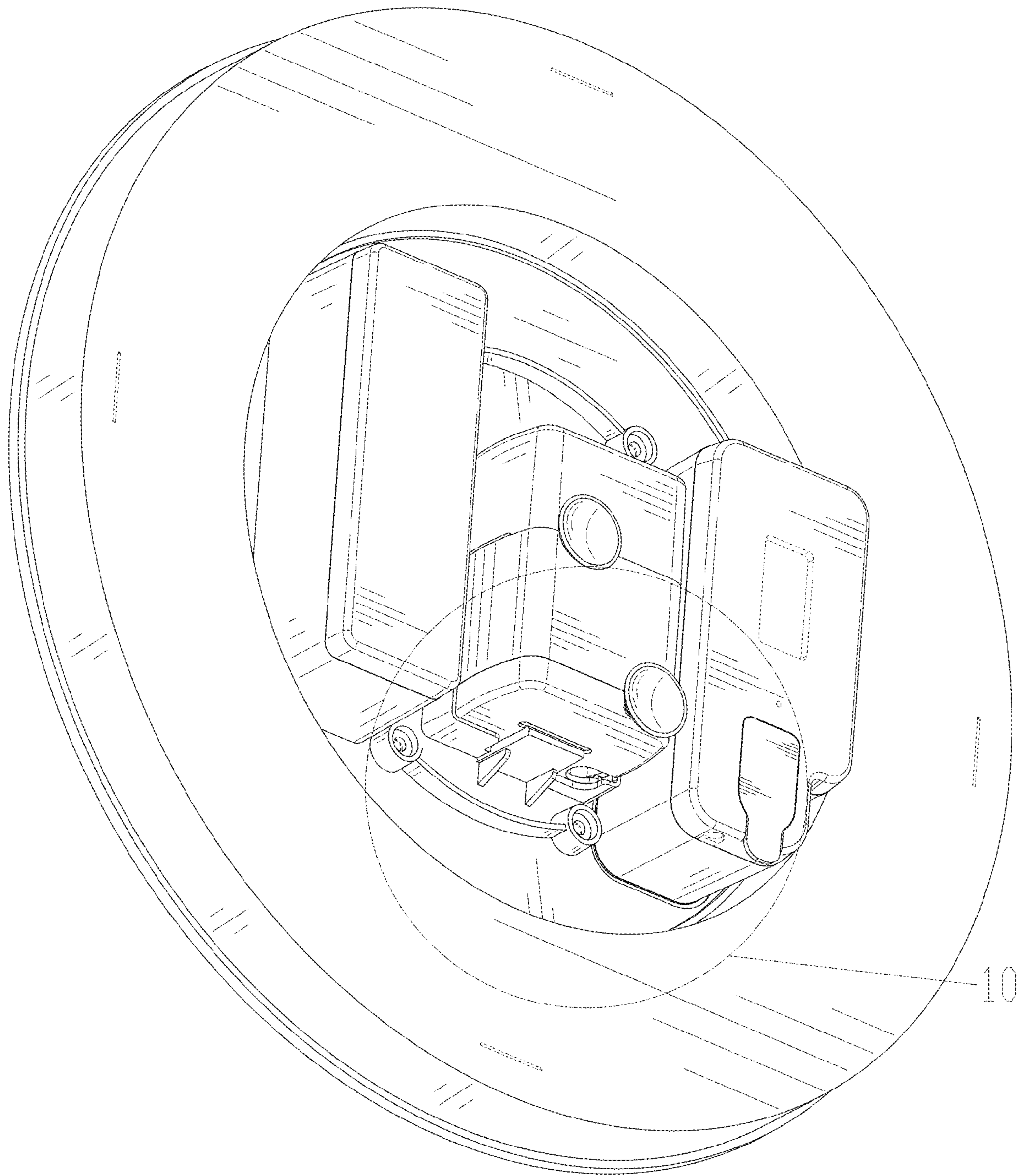
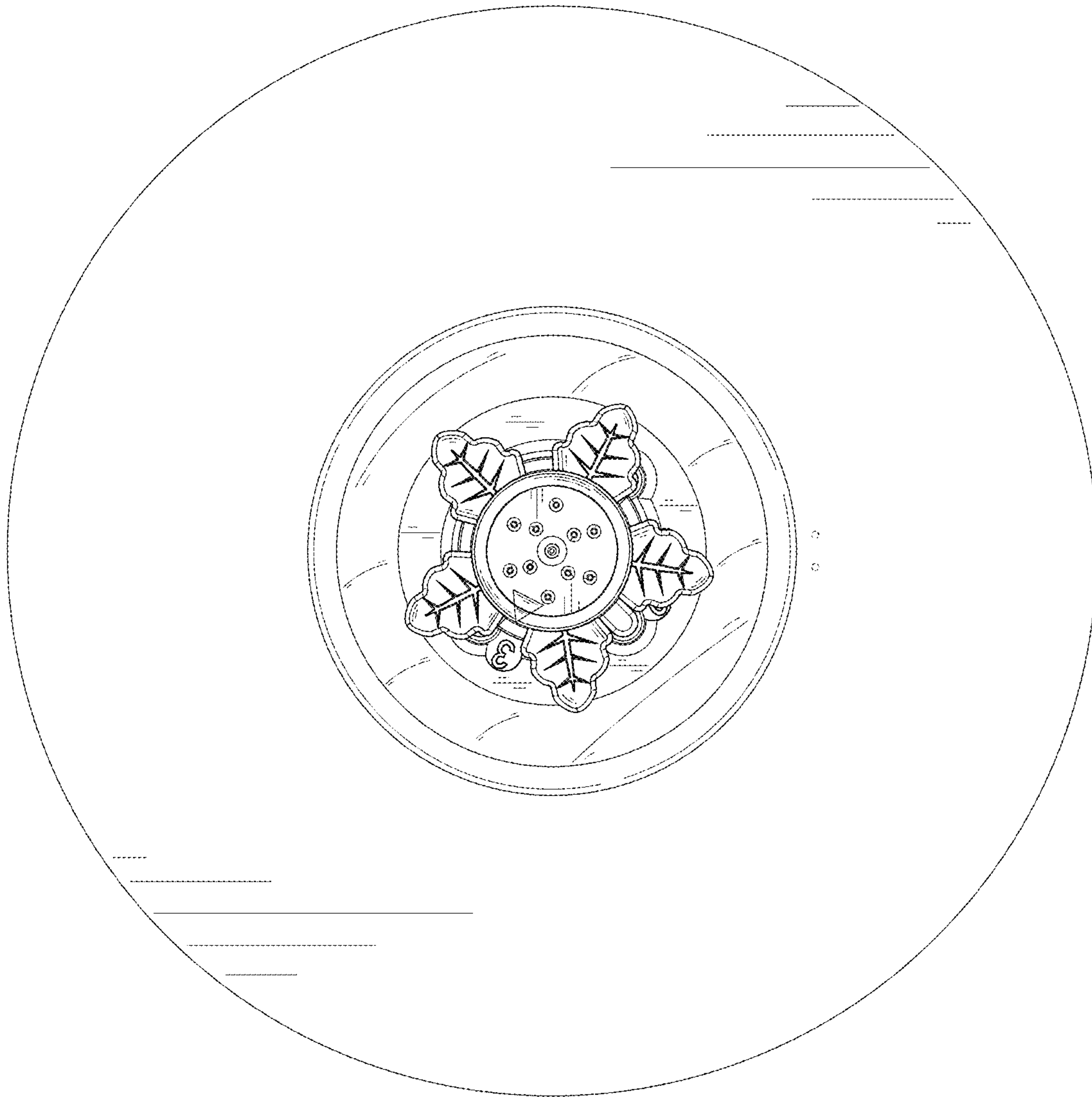


FIG. 2



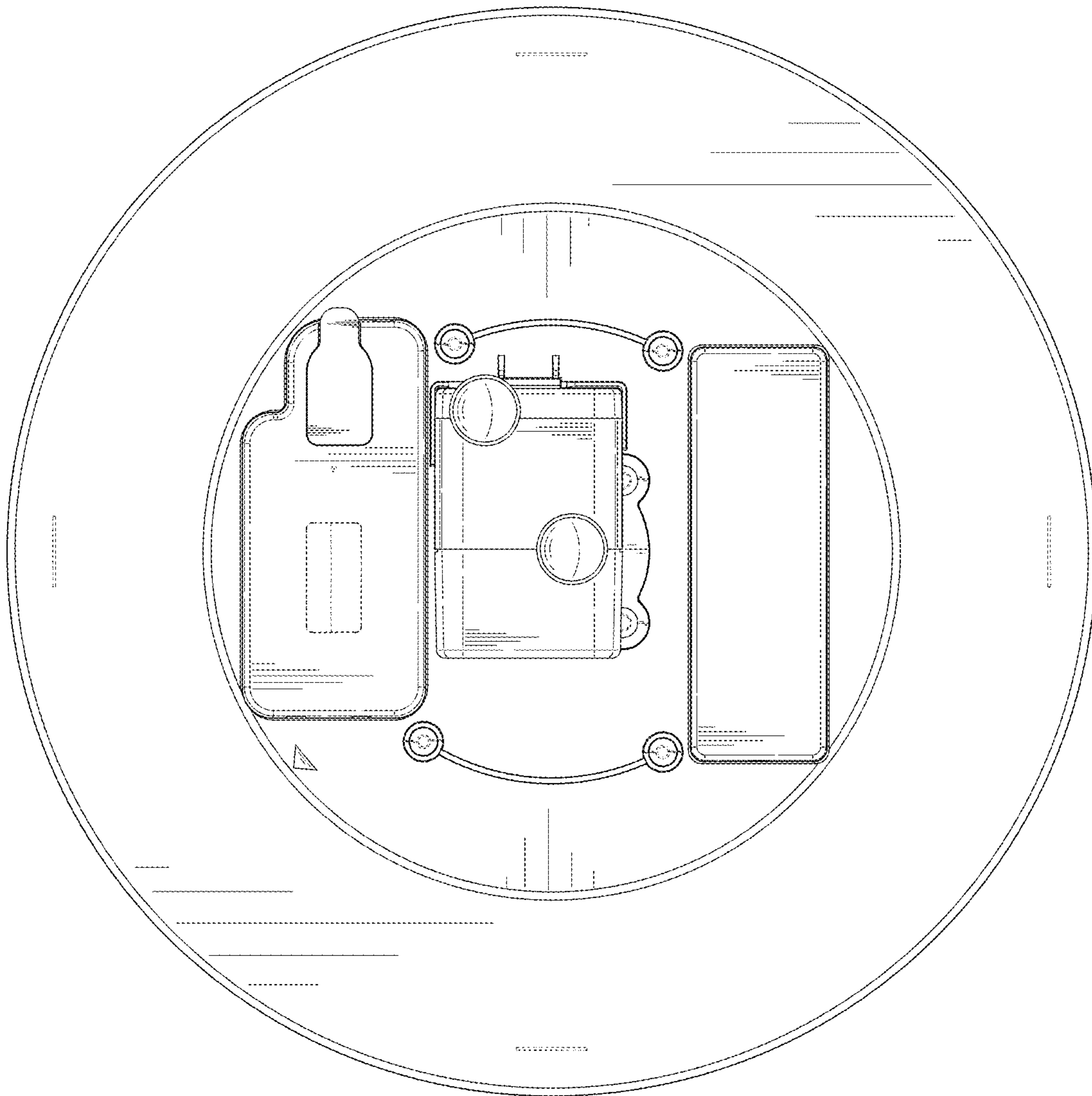


FIG. 4

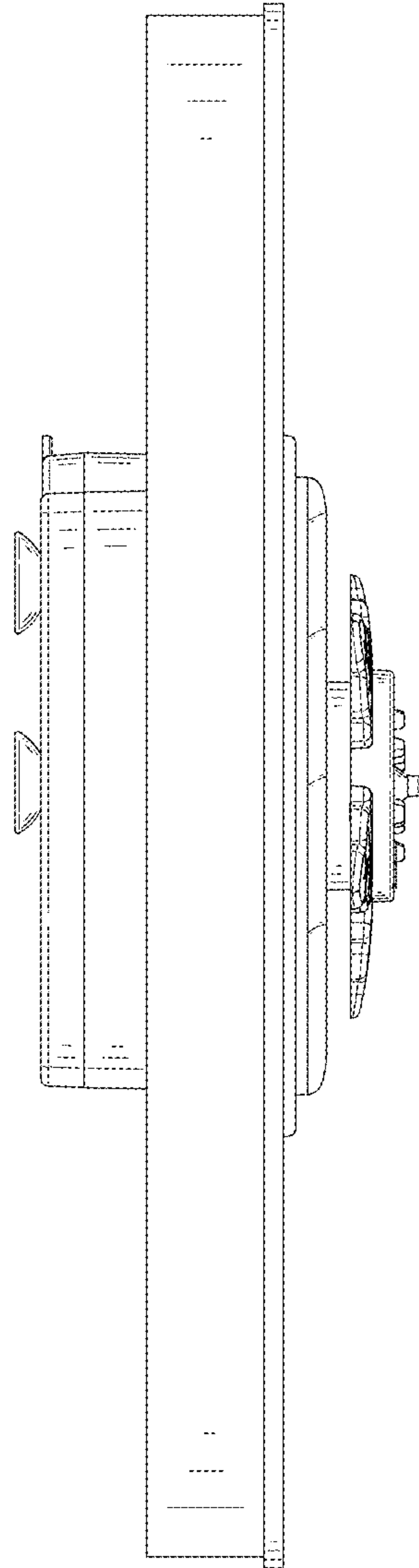


FIG. 5

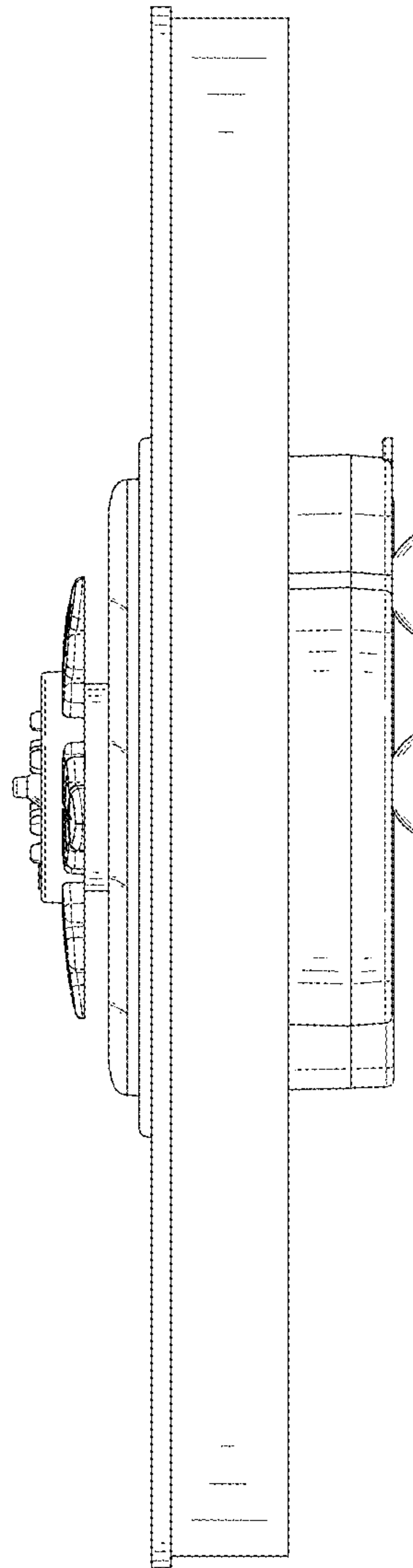


FIG. 6

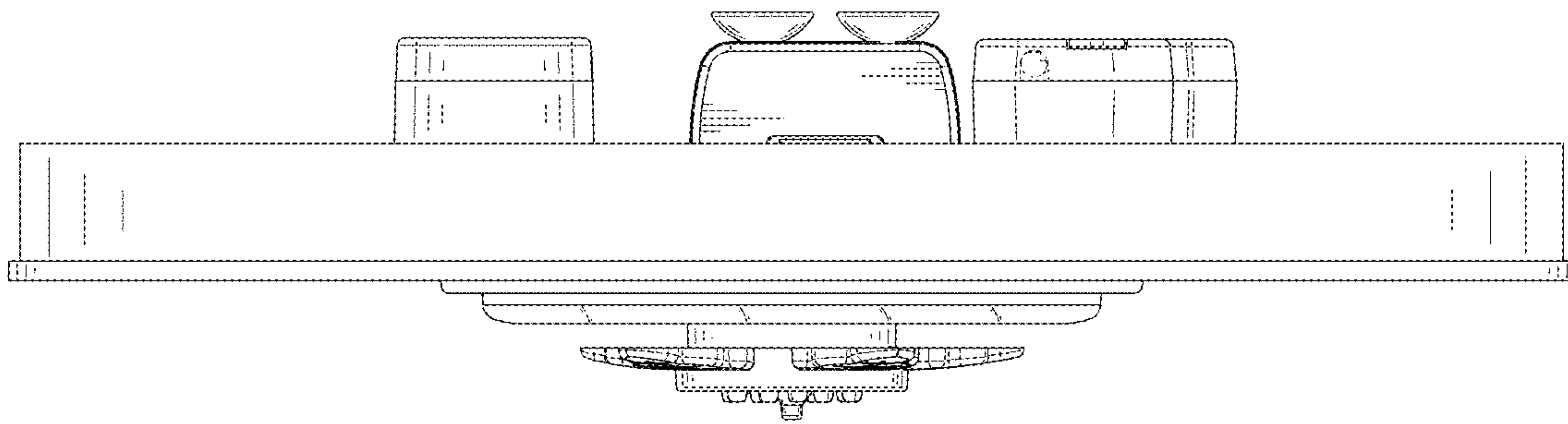


FIG. 7

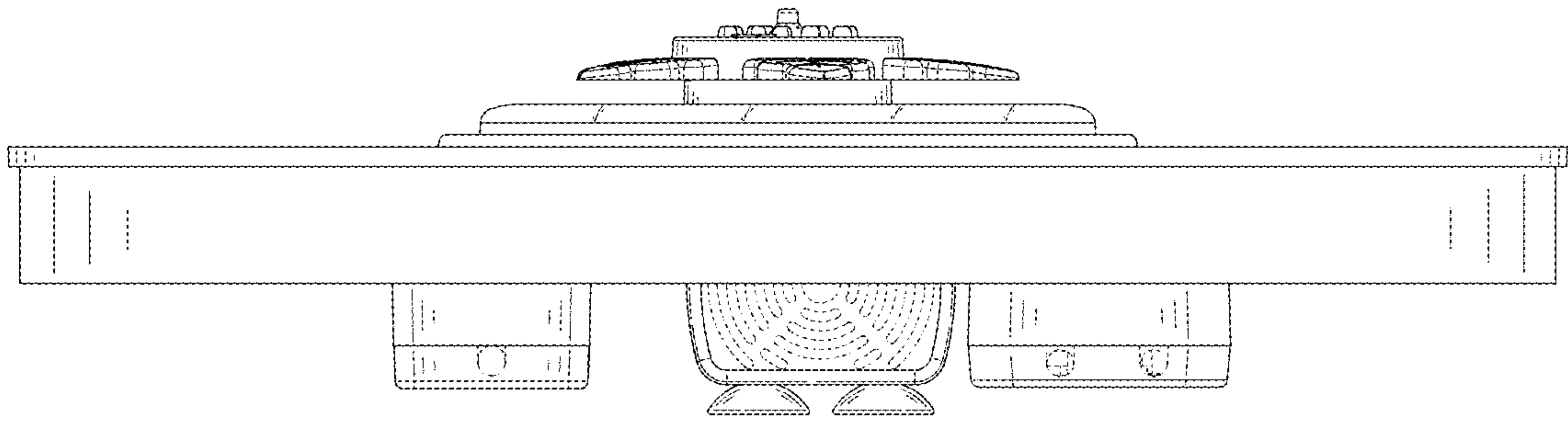


FIG. 8

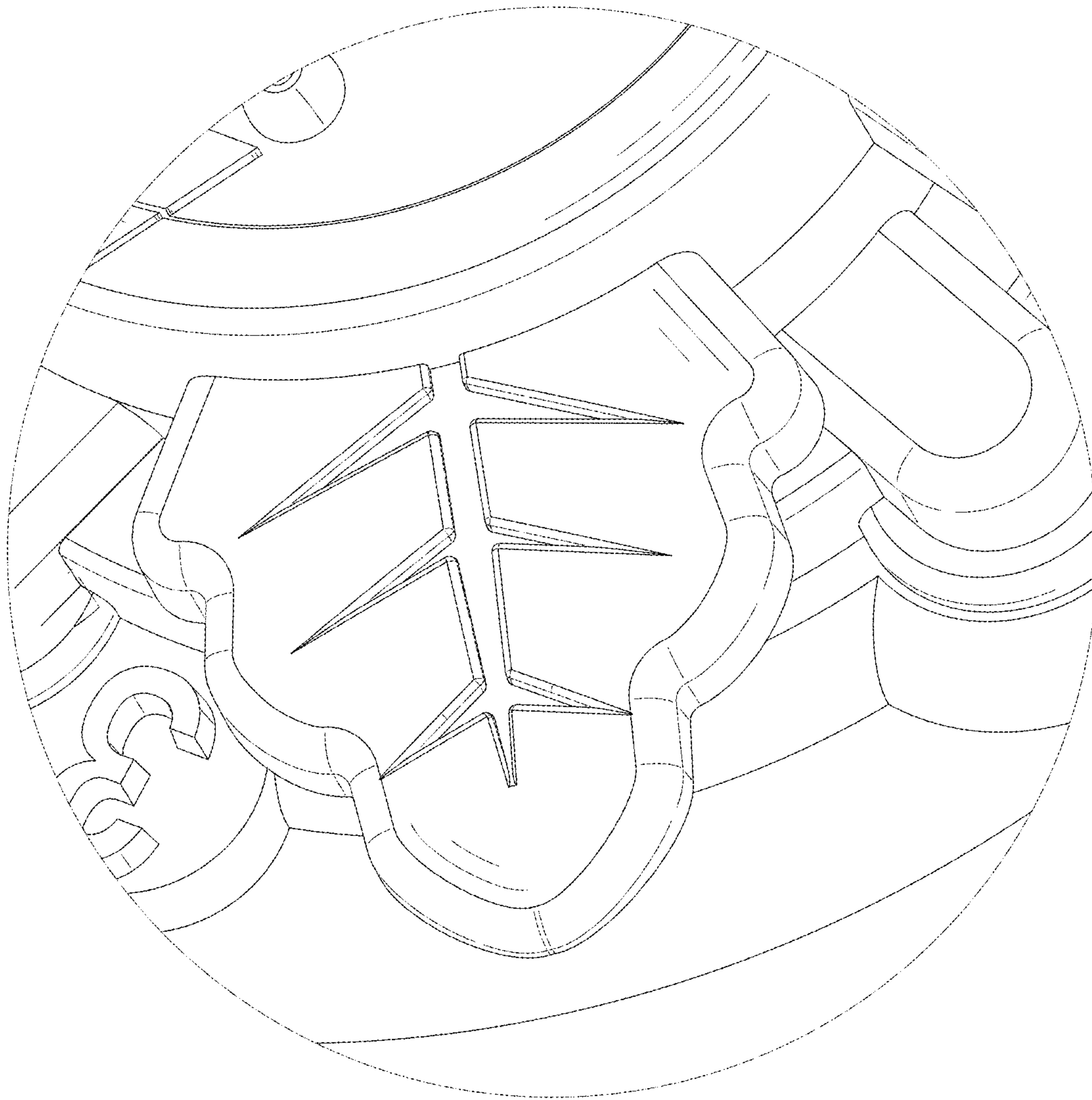


FIG. 9

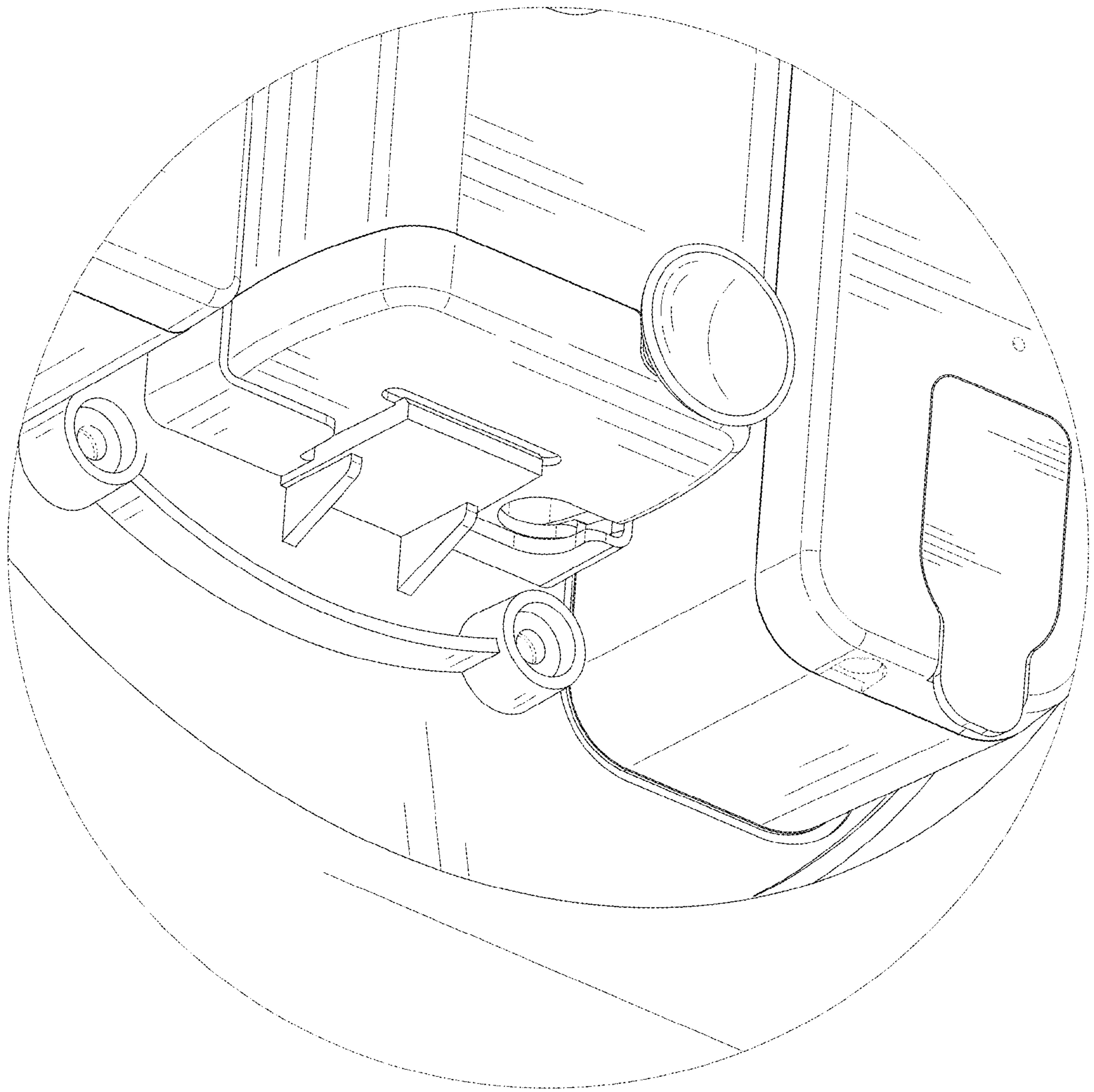


FIG. 10