



US00D963785S

(12) **United States Design Patent** (10) **Patent No.:** **US D963,785 S**
Laughlin et al. (45) **Date of Patent:** **** Sep. 13, 2022**

- (54) **RESERVOIR ASSEMBLY**
- (71) Applicant: **Thermacell Repellents, Inc.**, Bedford, MA (US)
- (72) Inventors: **Charles A. Laughlin**, Amherst, NH (US); **Adam Chojnacki**, Carlisle, MA (US); **Jake M. Donnelly**, Billerica, MA (US)
- (73) Assignee: **Thermacell Repellents, Inc.**, Bedford, MA (US)
- (**) Term: **15 Years**
- (21) Appl. No.: **29/771,648**
- (22) Filed: **Feb. 24, 2021**

- D717,394 S * 11/2014 Swanson D22/122
- D752,729 S * 3/2016 Servaire D23/366
- D771,370 S * 11/2016 Zhang D22/122
- 9,497,952 B2 * 11/2016 Picas Meya A01M 1/103
- D818,078 S * 5/2018 Zhang D22/122
- 10,258,708 B2 * 4/2019 D'Amico A61L 9/042
- D869,284 S 12/2019 Laughlin et al.
- D878,513 S 3/2020 Chojnacki et al.
- 11,350,620 B2 * 6/2022 Ko A01M 1/2066

OTHER PUBLICATIONS

https://www.google.com/shopping/product/16399469778280701121?q=thermocell&prds=epd:6706516688970549131,pid:16399469778280701121,rsk:PC_5533550011822741964&sa=X&ved=0ahUKEwimncvZqML4AhWrGFkFHR12AvwQuZ0ECFooAA (Year: 2018).*

* cited by examiner

Primary Examiner — Catherine R Oliver-Garcia
(74) *Attorney, Agent, or Firm* — MacMillan, Sobanski & Todd, LLC

Related U.S. Application Data

- (63) Continuation of application No. 16/027,766, filed on Jul. 5, 2018, now Pat. No. 11,350,624.
- (51) **LOC (13) Cl.** **22-06**
- (52) **U.S. Cl.**
USPC **D22/122**
- (58) **Field of Classification Search**
USPC D22/122; D23/366–369; 43/107, 43/121–122, 124–125, 127, 129, 131, 43/132.1, 133
CPC A01M 1/2066; A01M 2200/012
See application file for complete search history.

(57) **CLAIM**

The ornamental design for a reservoir assembly, as shown and described.

DESCRIPTION

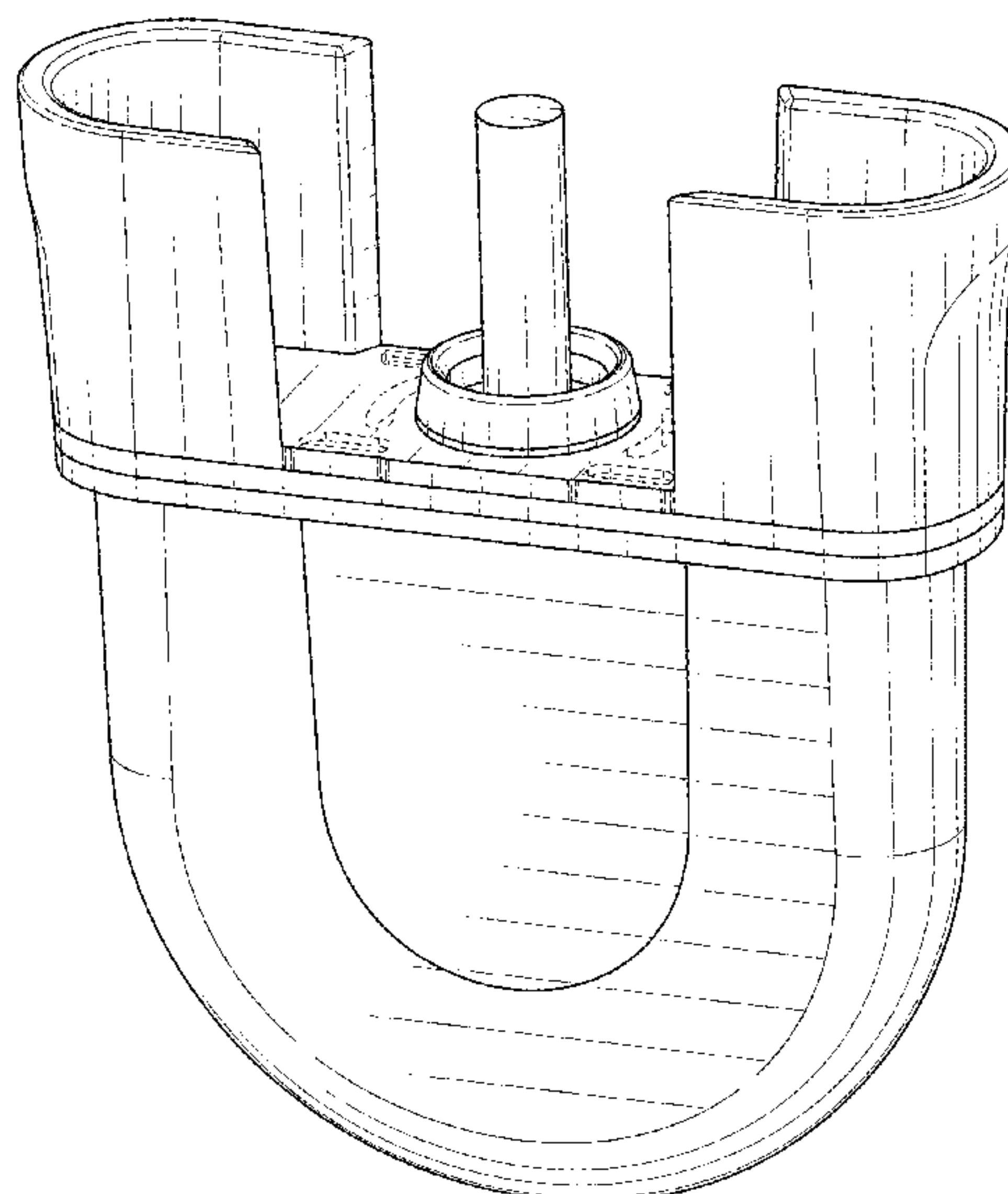
FIG. 1 is a perspective view of the reservoir assembly according to the design;
FIG. 2 is a front elevational view thereof;
FIG. 3 is a rear elevational view thereof;
FIG. 4 is a left side elevational view thereof;
FIG. 5 is a right side elevational view thereof;
FIG. 6 is a top plan view thereof; and,
FIG. 7 is a bottom plan view thereof.
The broken lines depicting certain top surface features shown in FIGS. 1, 2, 3, and 6 are for illustrative purposes and form no part of the claimed design.

(56) **References Cited**

U.S. PATENT DOCUMENTS

- D136,130 S * 8/1943 Irwin D22/122
- D233,665 S * 11/1974 Neugebauer D22/122
- D429,793 S * 8/2000 Leonard D22/120
- D574,056 S * 7/2008 McNamara D22/122
- 7,503,142 B1 * 3/2009 Uhl A01M 1/106
43/122
- D702,314 S * 4/2014 Partrat D22/122

1 Claim, 5 Drawing Sheets



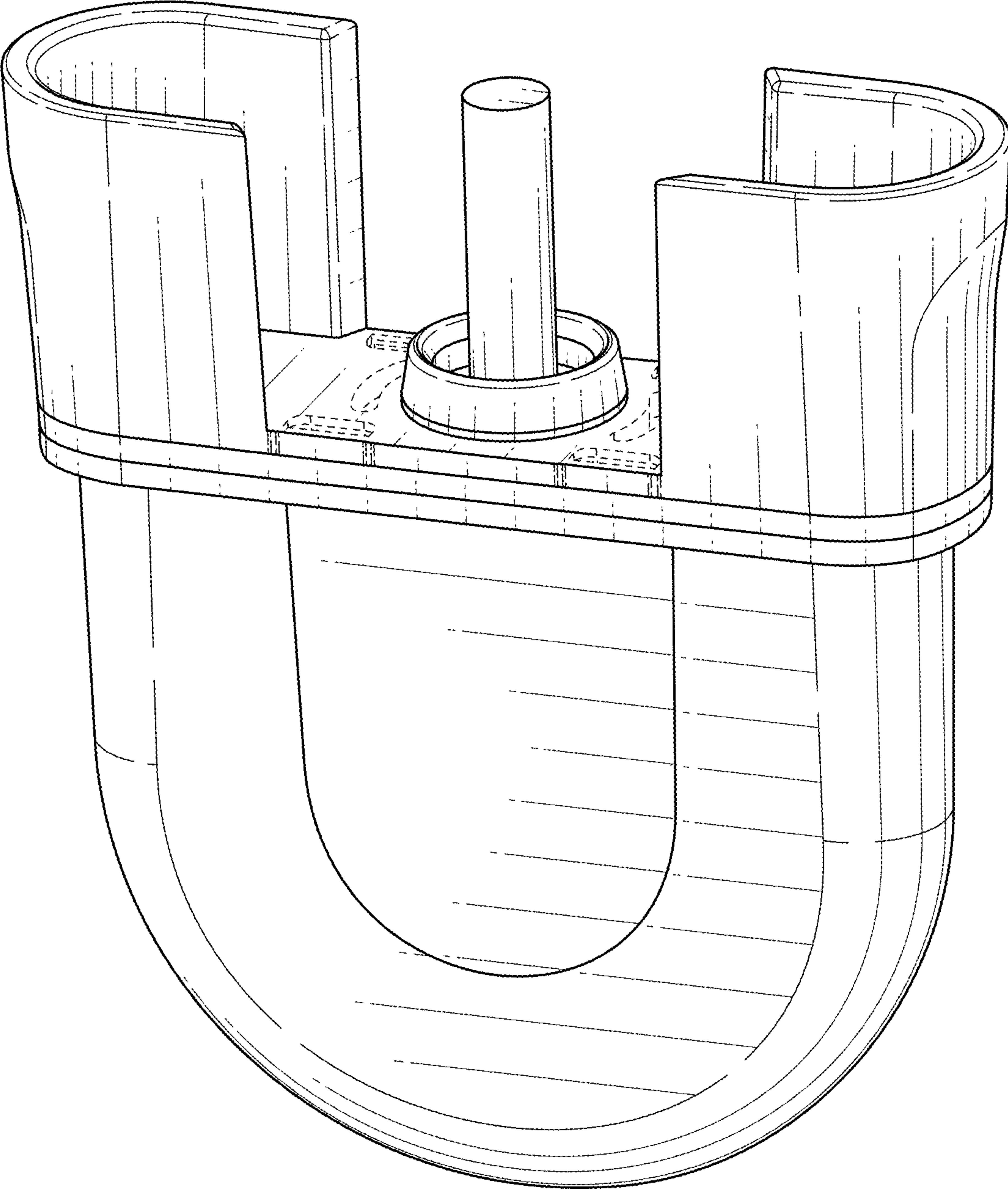


FIG. 1

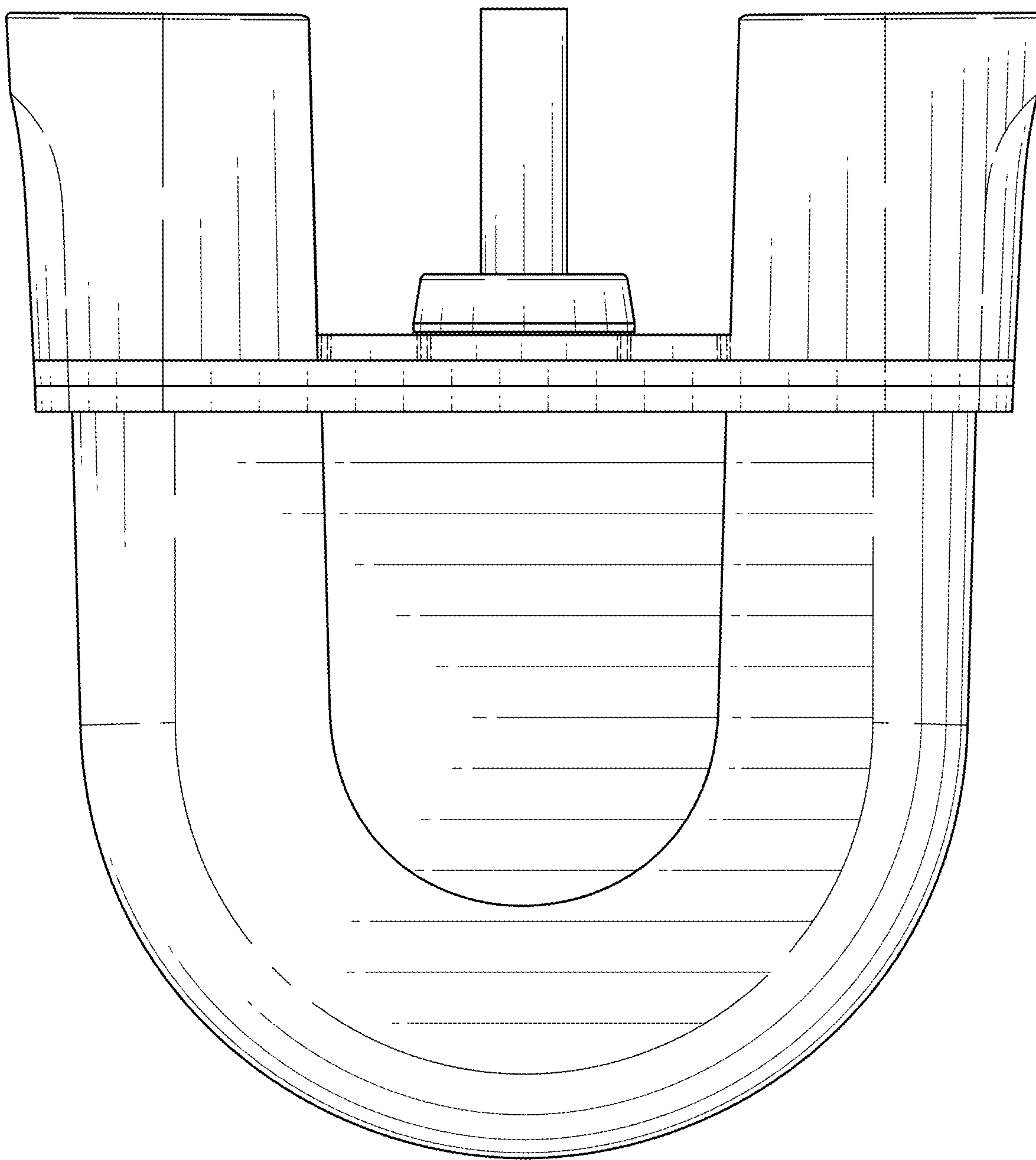


FIG. 2

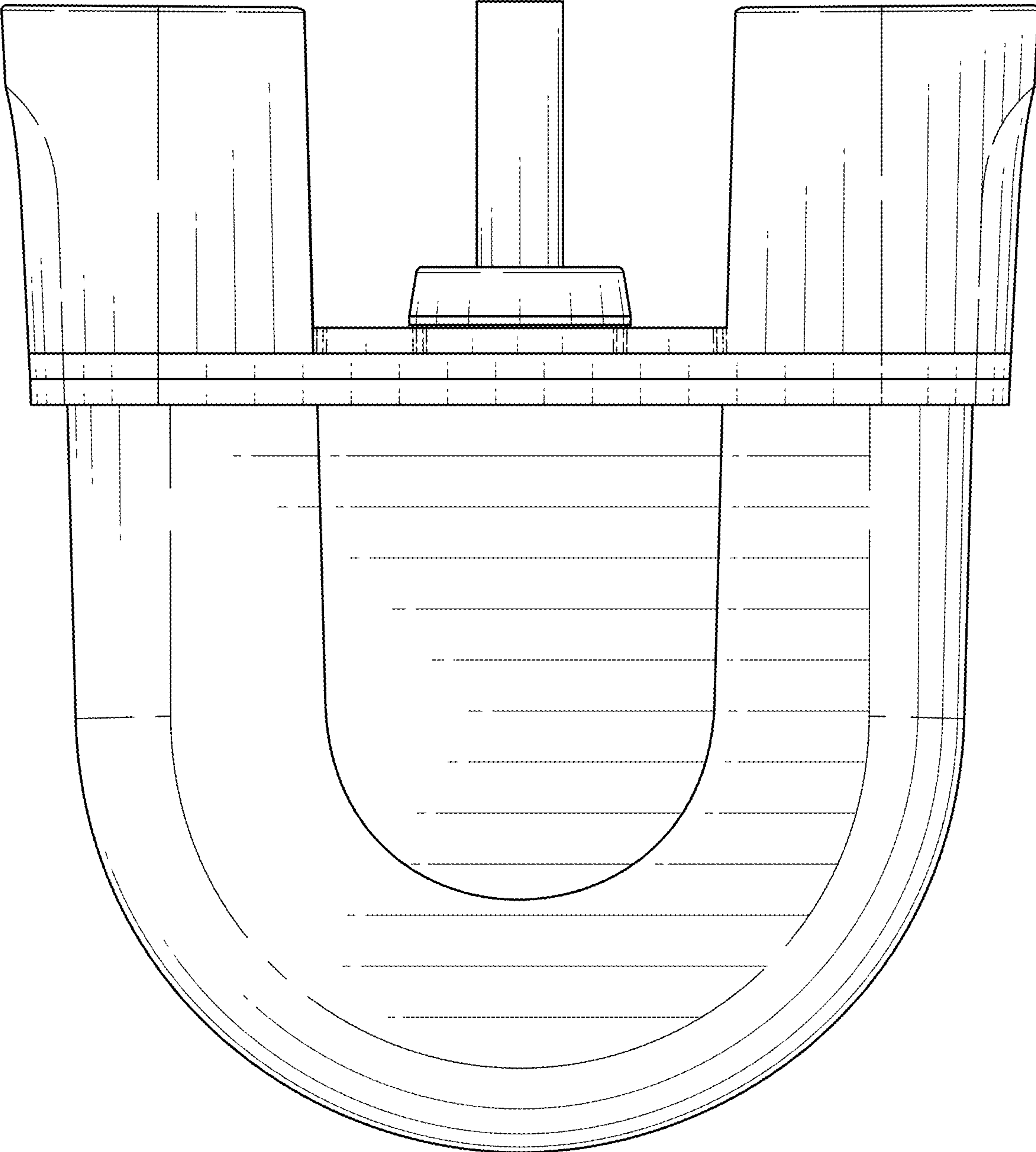


FIG. 3

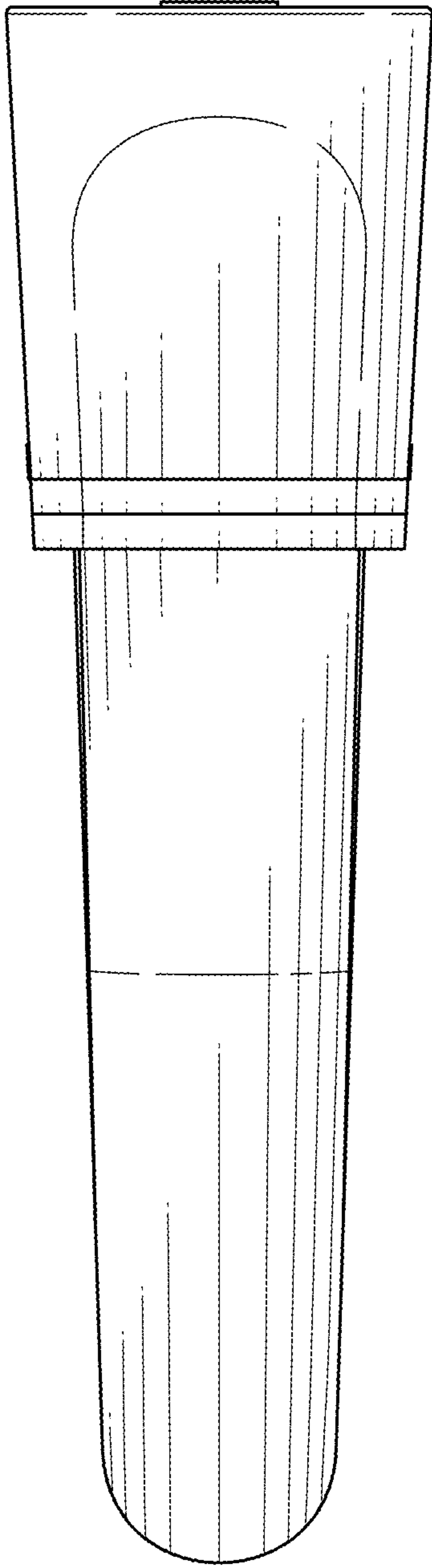


FIG. 4

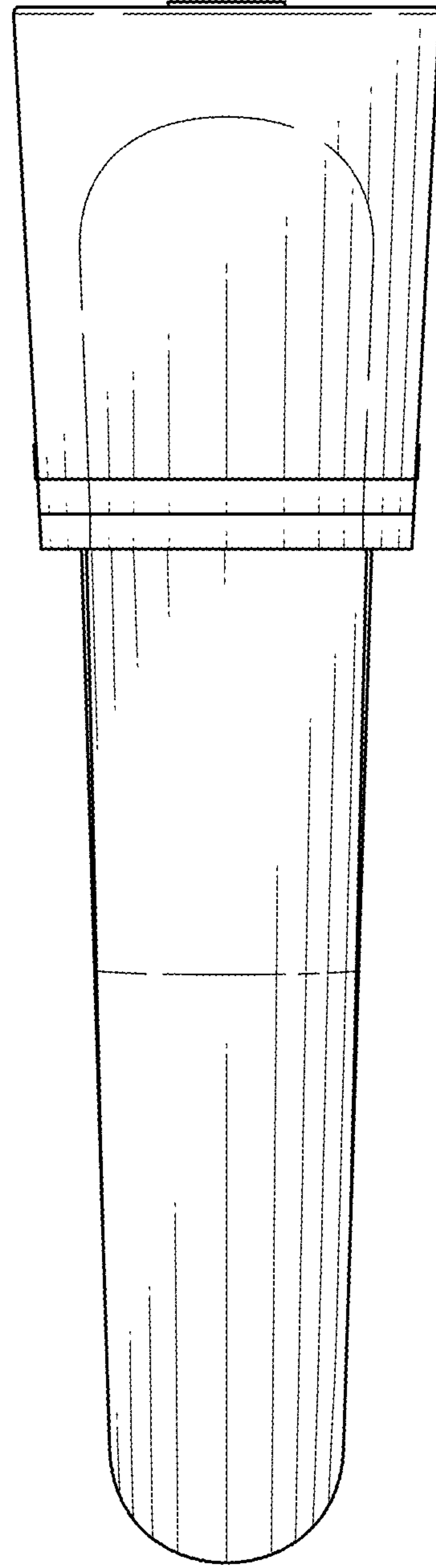


FIG. 5

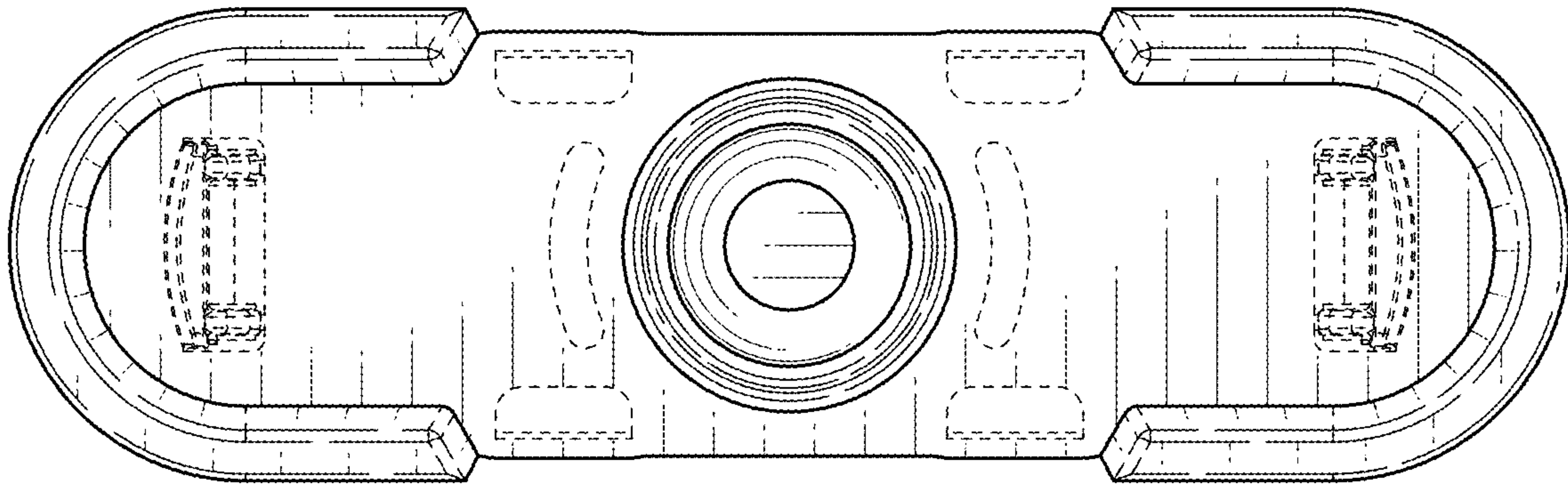


FIG. 6

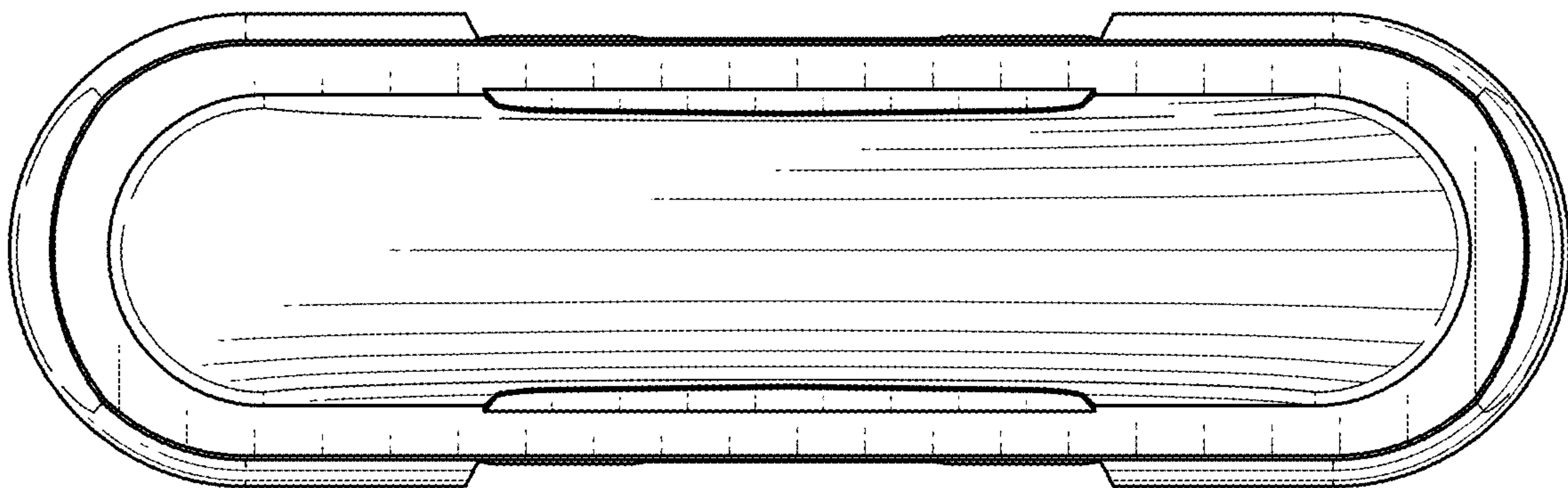


FIG. 7