



US00D963784S

(12) **United States Design Patent**  
**Wu**

(10) **Patent No.:** **US D963,784 S**  
(45) **Date of Patent:** **\*\* Sep. 13, 2022**

(54) **ANIMAL EXPELLER**

(71) Applicant: **Tingting Wu**, Yancheng (CN)

(72) Inventor: **Tingting Wu**, Yancheng (CN)

(\*\*) Term: **15 Years**

(21) Appl. No.: **29/816,855**

(22) Filed: **Nov. 25, 2021**

(51) **LOC (13) Cl.** ..... **22-06**

(52) **U.S. Cl.**  
USPC ..... **D22/120**

(58) **Field of Classification Search**  
USPC ..... D22/119-120, 122; D10/46, 118, 118.2;  
D13/102-104; D26/8, 138  
CPC ..... A01M 1/08; A01M 29/00; A01M 29/02;  
A01M 29/12; A01M 29/16; A01M 29/18;  
A01M 29/32; A01M 31/002  
See application file for complete search history.

(56) **References Cited**

**U.S. PATENT DOCUMENTS**

D583,900 S	*	12/2008	Krause	.....	D22/120
D639,893 S	*	6/2011	Feuerstein	.....	D22/120
D639,894 S	*	6/2011	Feuerstein	.....	D22/120
D645,114 S	*	9/2011	Krause	.....	D22/120
D823,425 S	*	7/2018	Wang	.....	D22/120
D839,987 S	*	2/2019	Dai	.....	D22/120
D852,313 S	*	6/2019	Luo	.....	D22/120
D855,742 S	*	8/2019	Yang	.....	D22/119
D861,120 S		9/2019	Luo		
D863,494 S		10/2019	Luo		
D934,375 S	*	10/2021	Dai	.....	D22/120
D936,173 S	*	11/2021	Wu	.....	D22/120

**OTHER PUBLICATIONS**

[https://www.amazon.com/dp/B0B3WRW1DM/ref=sspa\\_dk\\_detail\\_1?psc=1&pd\\_rd\\_i=B0B3WRW1DM&pd\\_rd\\_w=8L4Vi&content-id=](https://www.amazon.com/dp/B0B3WRW1DM/ref=sspa_dk_detail_1?psc=1&pd_rd_i=B0B3WRW1DM&pd_rd_w=8L4Vi&content-id=)

amzn1.sym.3be1c5b9-5b41-4830-a902-fa8556c19eb5&pf\_rd\_p=3be1c5b9-5b41-4830-a902-fa8556c19eb5&pf\_rd\_r=AKY2P5CDVSD4FZG0HDA7&pd\_rd\_wg=uZZ4A&pd\_rd\_r=cdb6711-9296-4802-b91a-f51856719168&s=lawn-garden&sp\_csd=d2lkZ2V0TmFtZT1zcF9kZXRhaWw&spLa=ZW5jcnlwdGVkUXVhbGlmaWVyPUEwMUVMOEZDOUhXS0VCJmVuY3J5cHRIZEIkPUEwMj12NTkwMTFXSDk4VzBaM0RMVYzIbmNyeXB0ZWRBZEIkPUEwNDQ0MjQwMk9BUDVVFV09HQzIeSiZ3aWRnZXROYW1IPXNwX2RldGFpbCZlY3Rpb249Y2xpY2tSZWRpcmVjdCZkb05vdExvZ0NsaWNrPXRydWU= (Year: 2022).\*

\* cited by examiner

*Primary Examiner* — Catherine R Oliver-Garcia

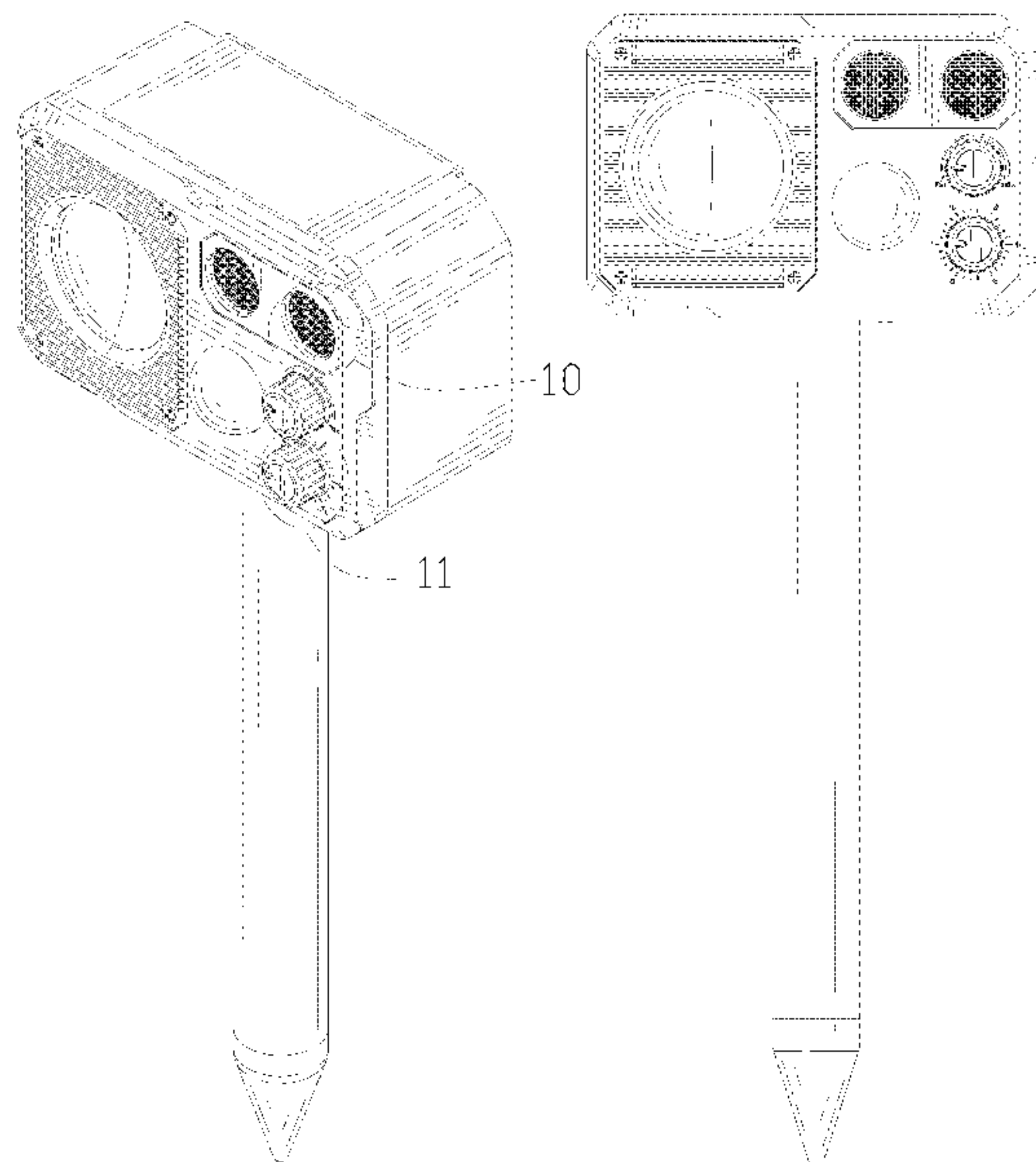
(57) **CLAIM**

The ornamental design for an animal expeller, as shown and described.

**DESCRIPTION**

FIG. 1 is a perspective view of an animal expeller showing my new design;  
FIG. 2 is another perspective view thereof;  
FIG. 3 is a front elevational view thereof;  
FIG. 4 is a rear elevational view thereof;  
FIG. 5 is a left side elevational view thereof;  
FIG. 6 is a right side elevational view thereof;  
FIG. 7 is a top plan view thereof;  
FIG. 8 is a bottom plan view thereof;  
FIG. 9 is an exploded perspective view of the animal expeller;  
FIG. 10 is an enlarged view of portion 10 shown in FIG. 1; and,  
FIG. 11 is an enlarged view of portion 11 shown in FIG. 1. The dash-dash broken lines in the drawings depict portions of the animal expeller that form no part of the claimed design. The dot-dash broken lines represent boundaries of the enlarged portions and form no part of the claimed design.

**1 Claim, 11 Drawing Sheets**



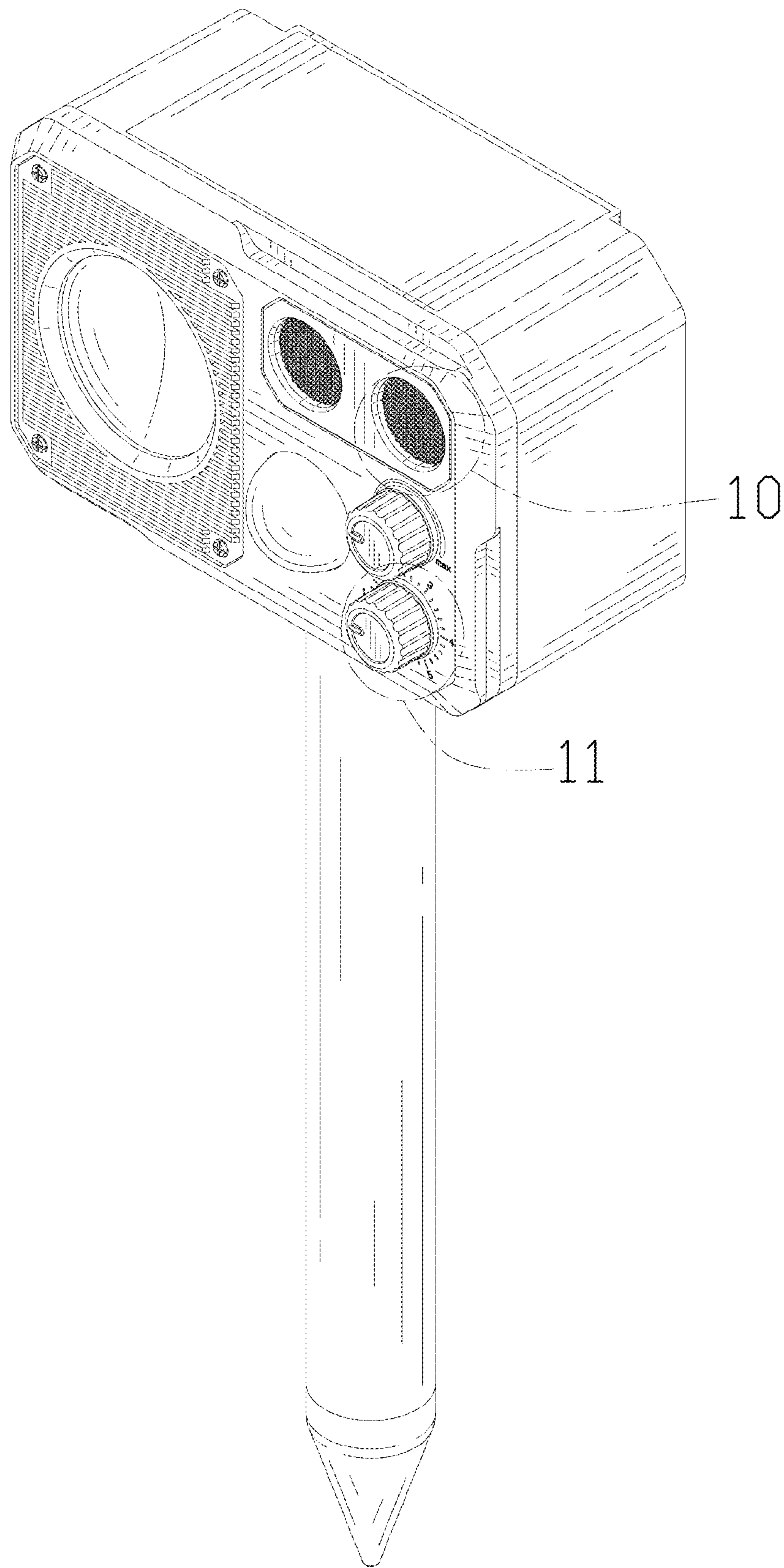


FIG. 1

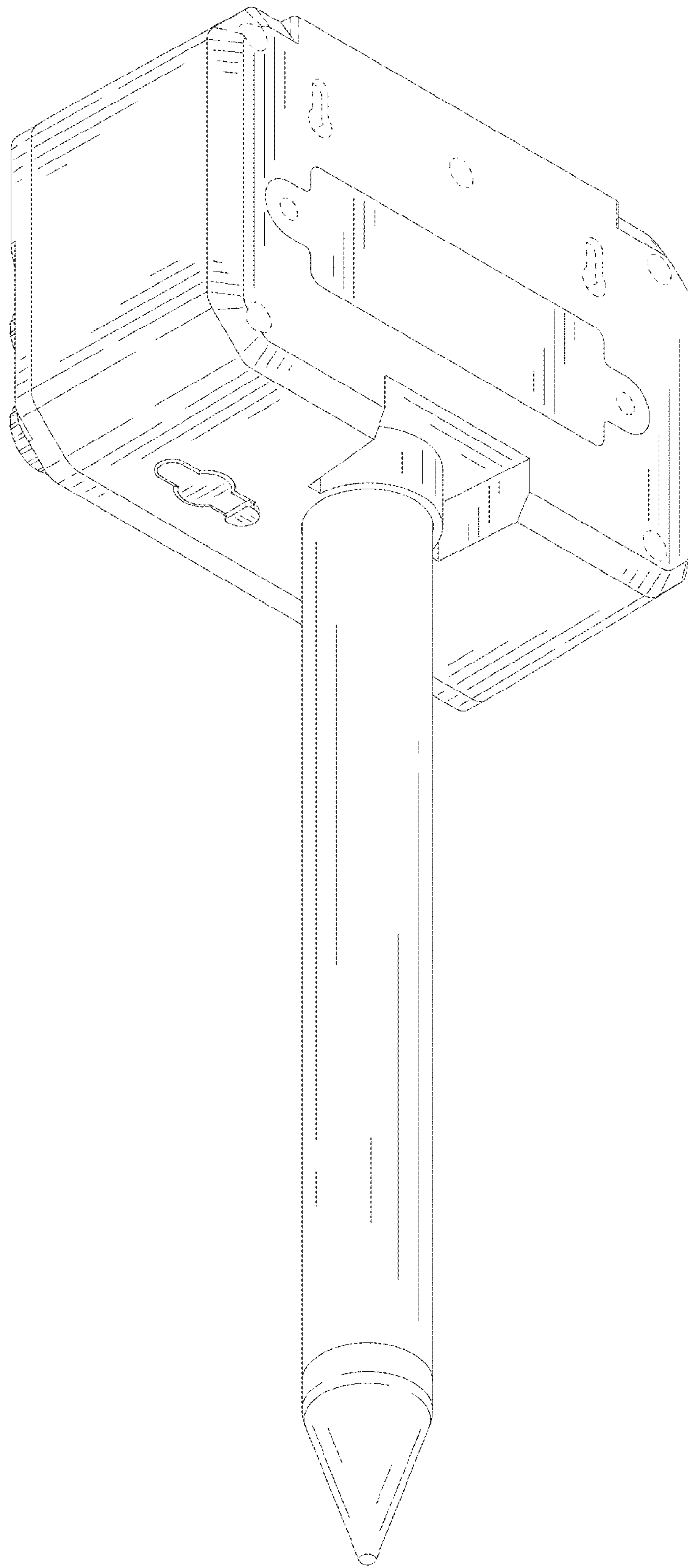


FIG. 2

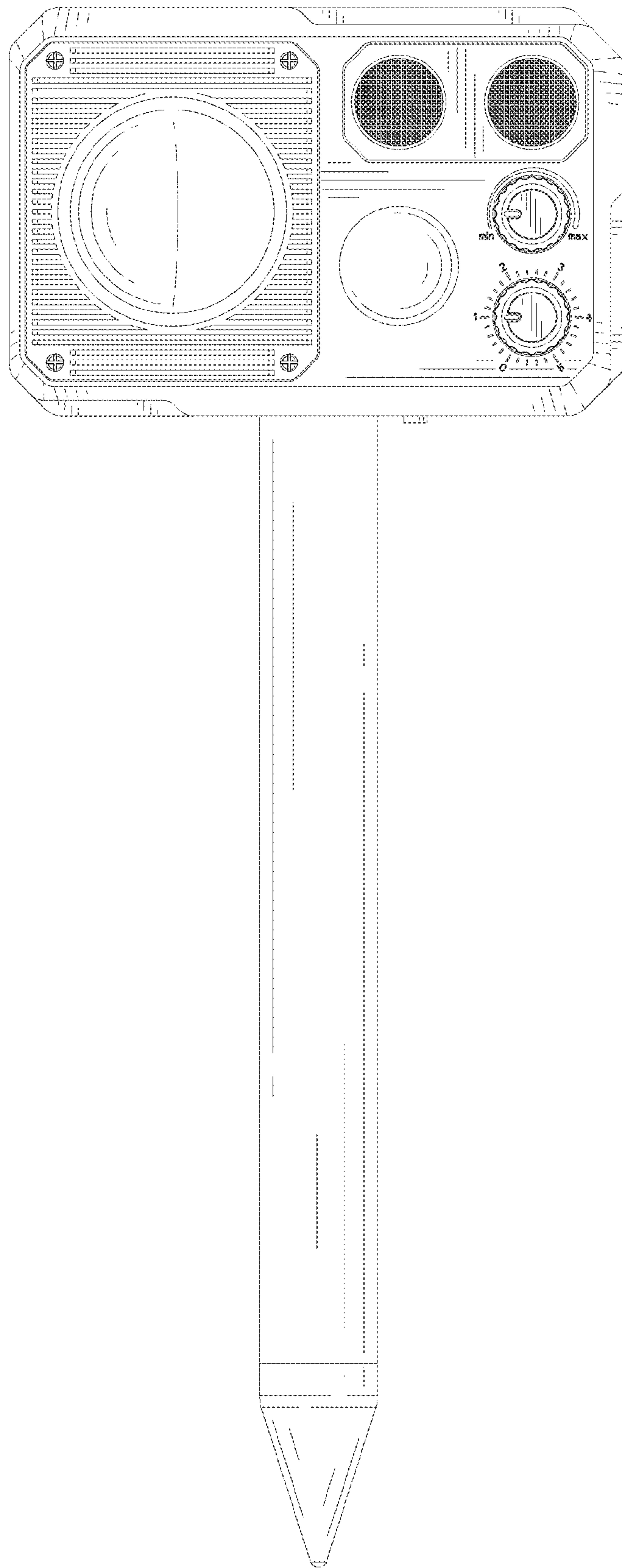


FIG. 3



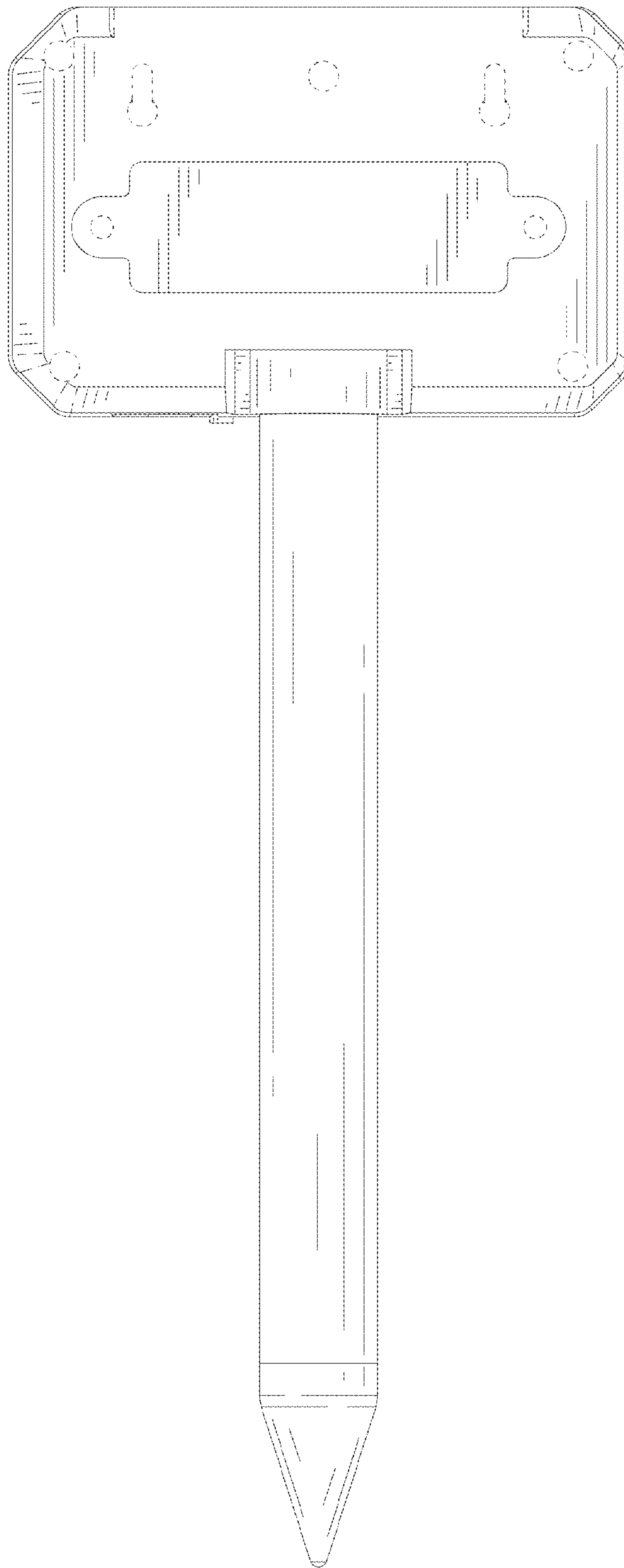


FIG. 4

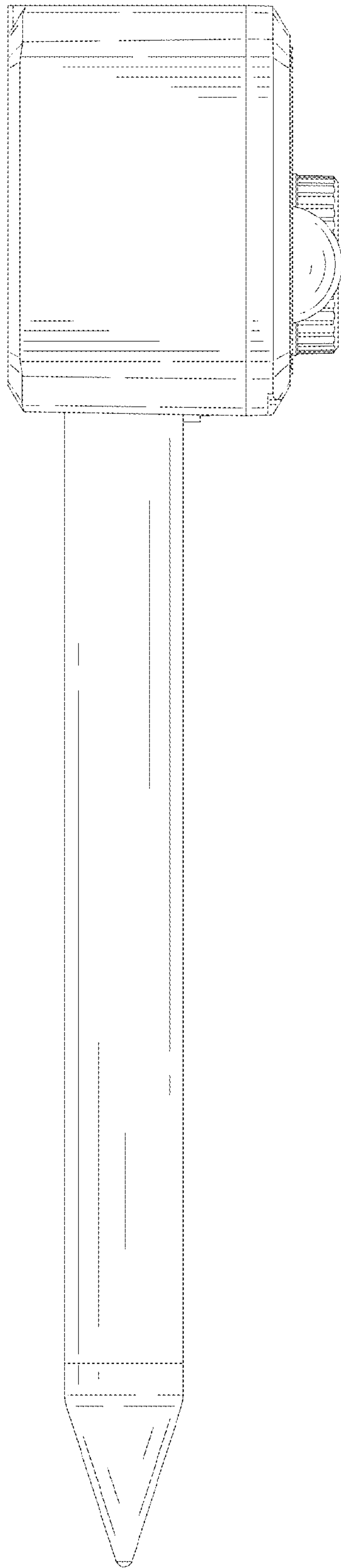


FIG. 5

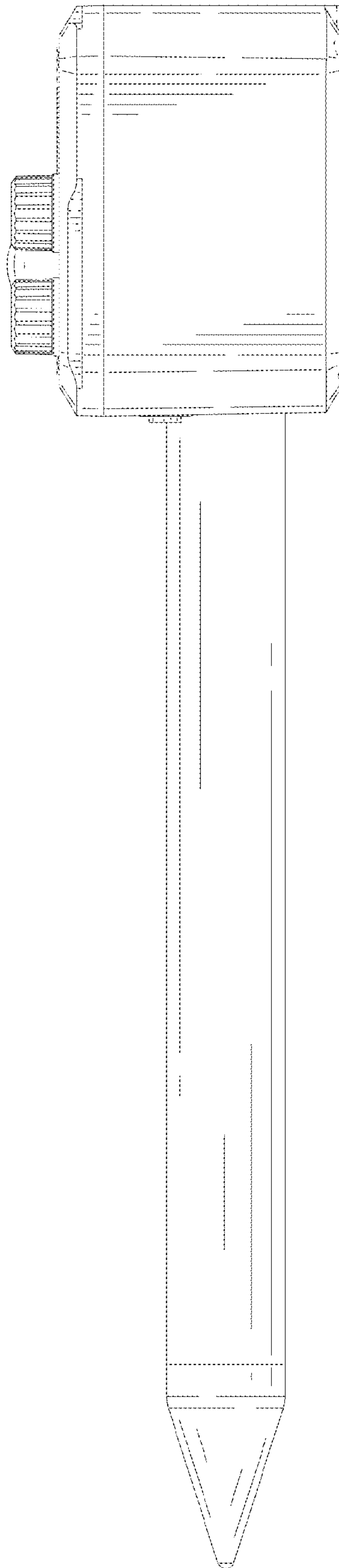


FIG. 6

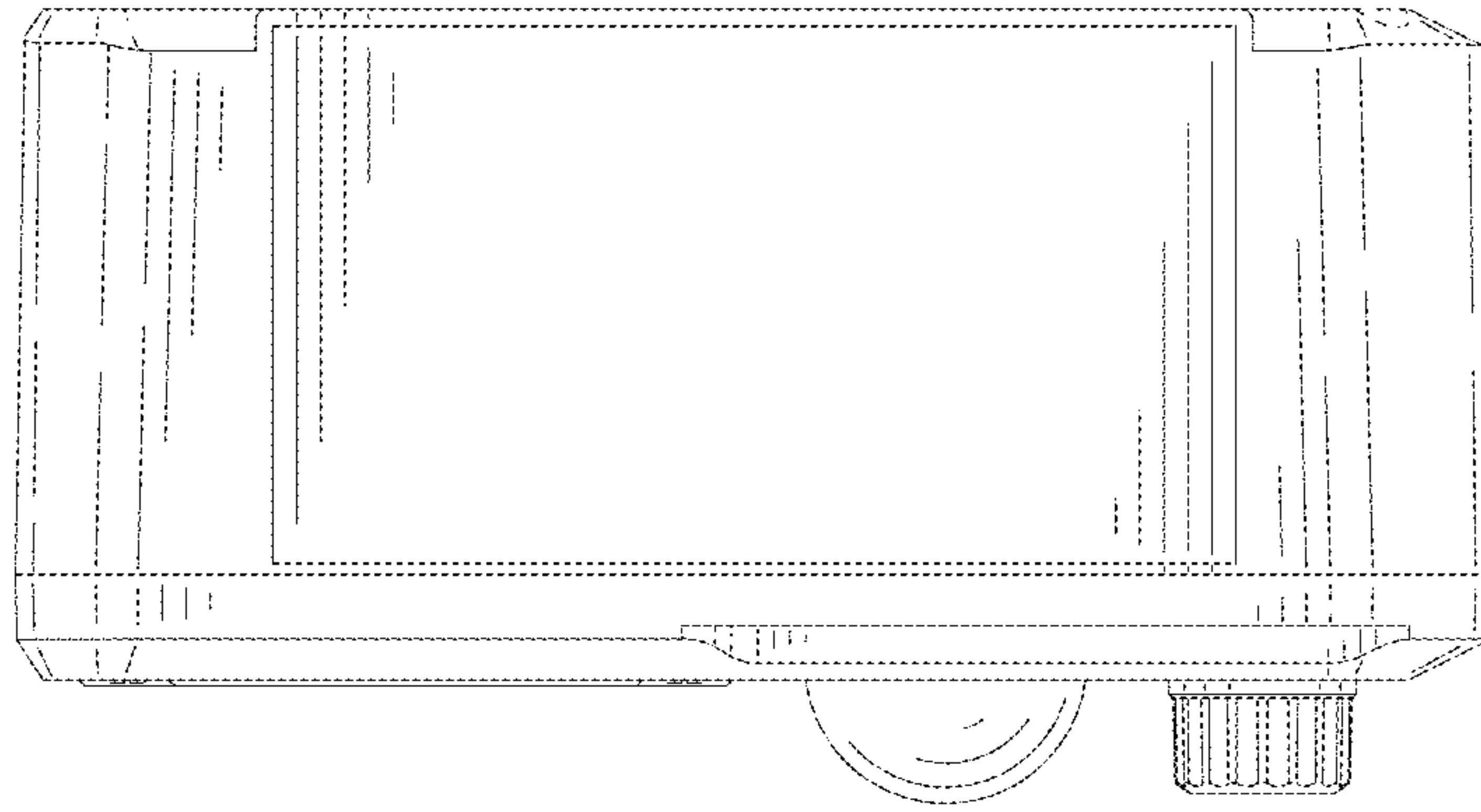


FIG. 7



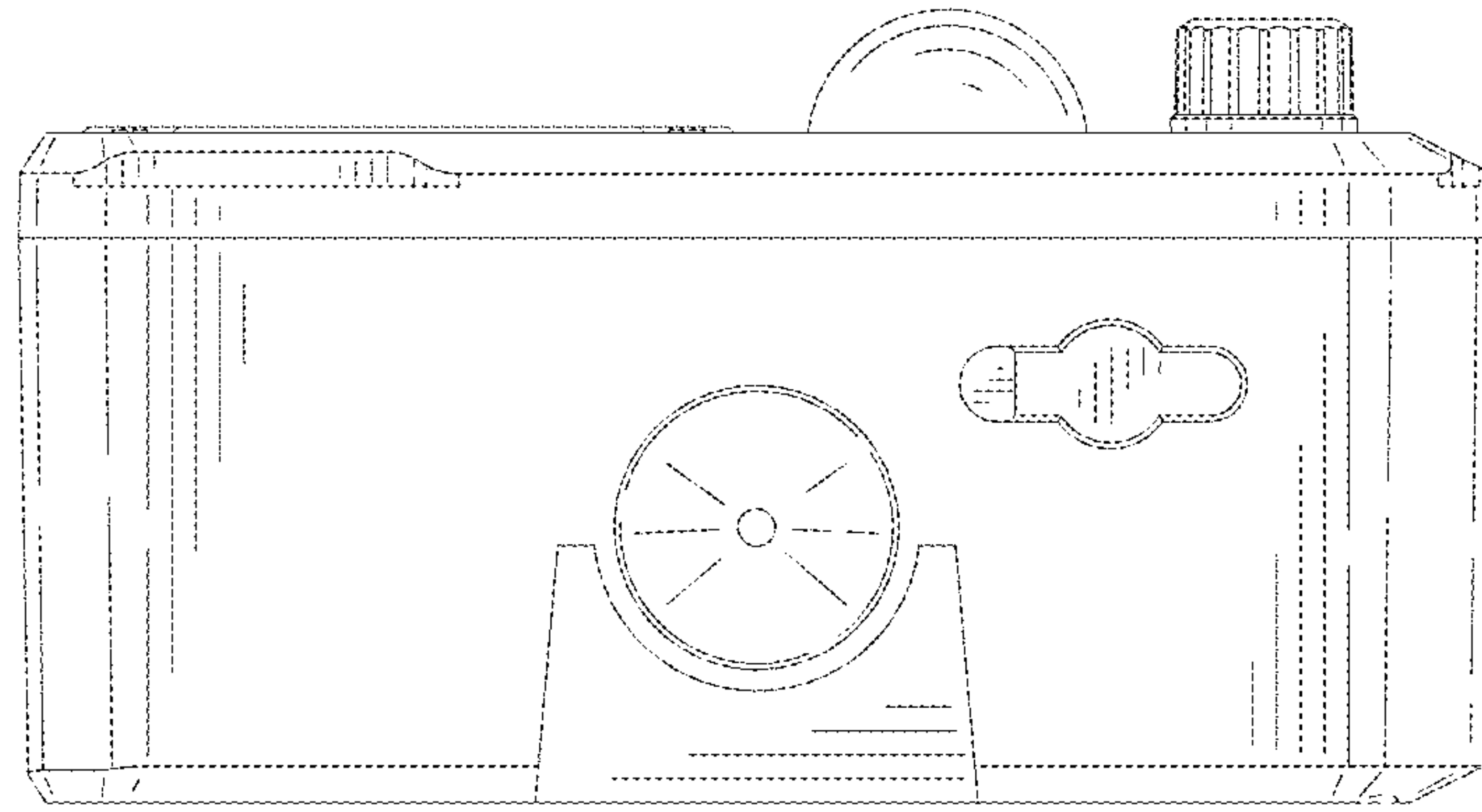


FIG. 8

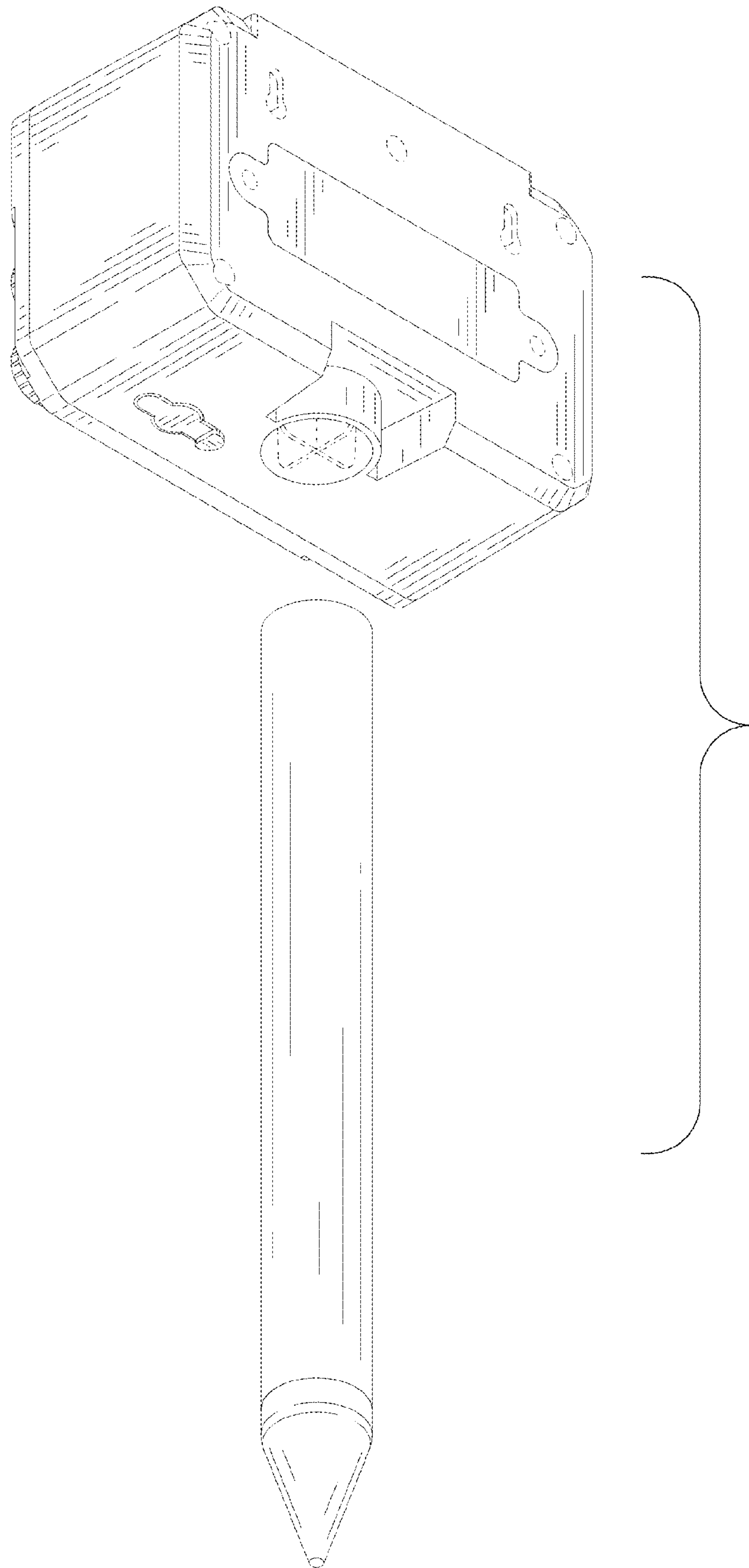


FIG. 9

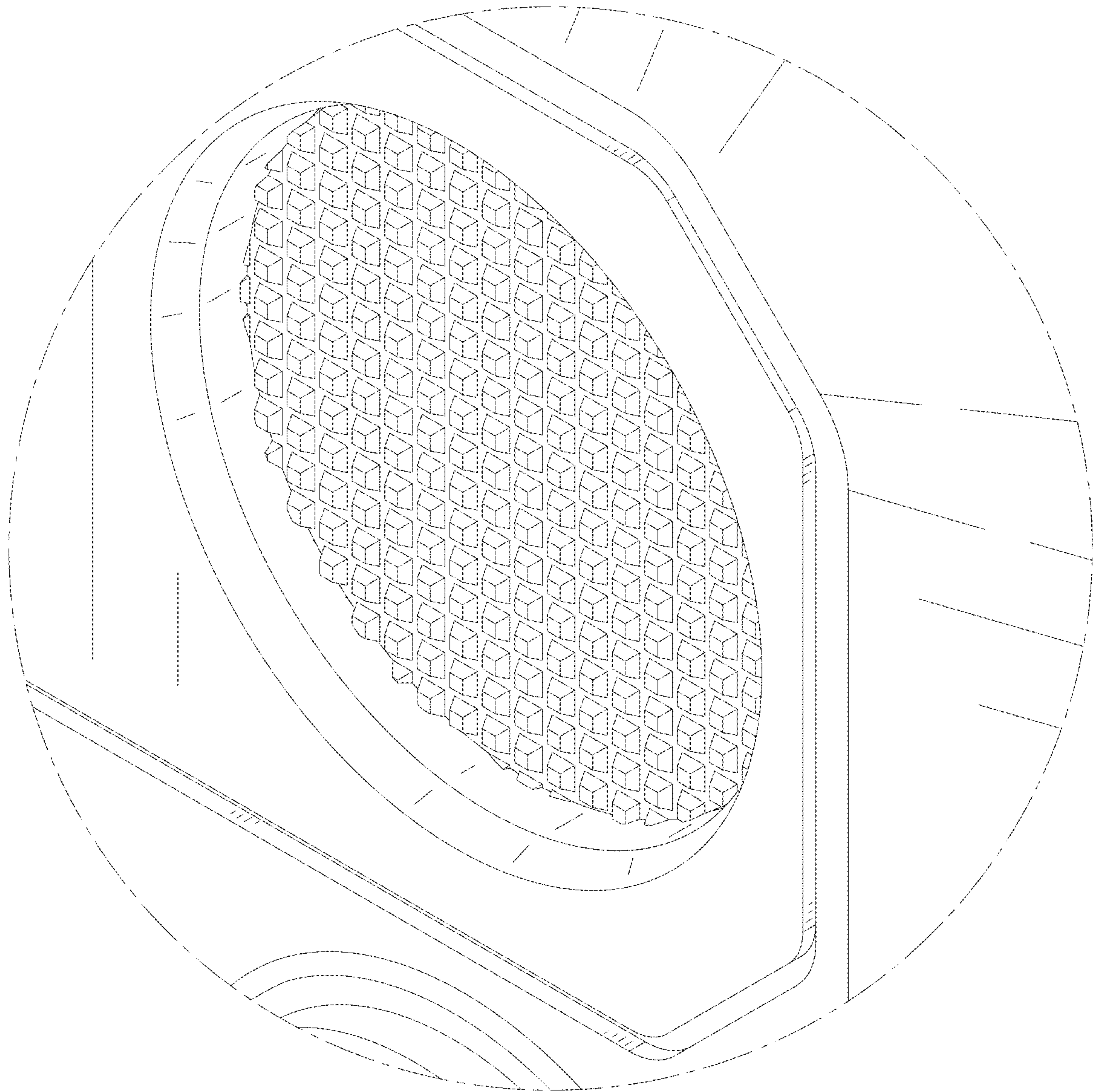


FIG. 10

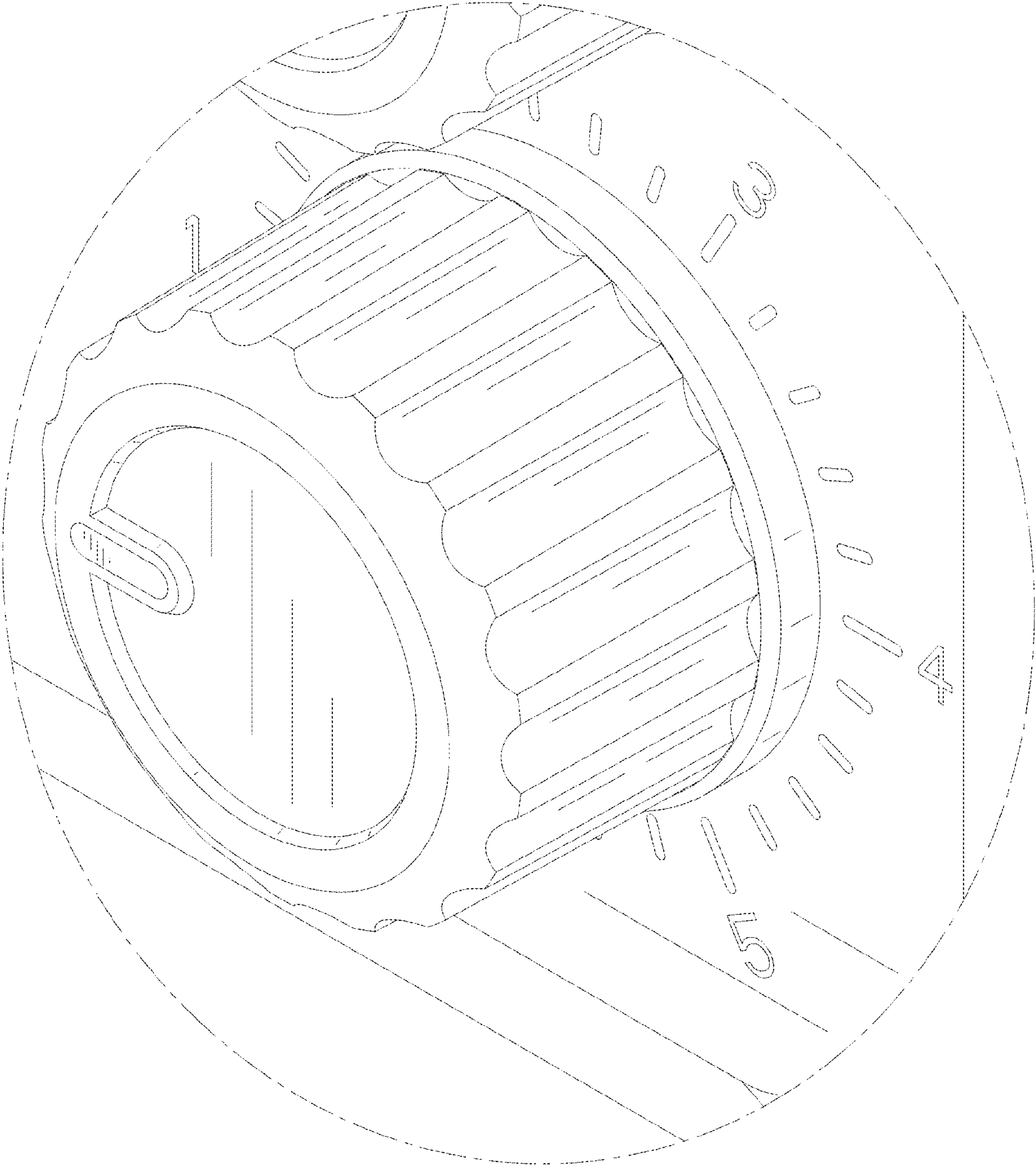


FIG. 11