



US00D963782S

(12) **United States Design Patent**
Kooiman

(10) **Patent No.:** **US D963,782 S**
(45) **Date of Patent:** **** Sep. 13, 2022**

- (54) **AIRCRAFT WEAPON SYSTEM**
- (71) Applicant: **Textron Innovations Inc.**, Providence, RI (US)
- (72) Inventor: **James Everett Kooiman**, Fort Worth, TX (US)
- (73) Assignee: **Textron Innovations Inc.**, Providence, RI (US)
- (**) Term: **15 Years**
- (21) Appl. No.: **29/707,479**
- (22) Filed: **Sep. 27, 2019**
- (51) **LOC (13) Cl.** **22-03**
- (52) **U.S. Cl.**
USPC **D22/115**
- (58) **Field of Classification Search**
USPC D22/115; D12/1, 2, 4, 16.1
CPC ... F41H 11/02; F41A 23/42; F41F 3/04; F41F 3/052; F41F 3/065; F41F 3/06
See application file for complete search history.

- (56) **References Cited**
U.S. PATENT DOCUMENTS
7,950,607 B1 * 5/2011 Dickerson F41F 3/06
244/137.4
8,141,468 B2 * 3/2012 Van Liew B64D 1/04
89/1.54

- 8,333,138 B2 * 12/2012 Garrison B64D 7/08
89/1.819
- 8,607,682 B2 * 12/2013 Zatterqvist F41F 3/065
89/1.51
- 10,684,095 B1 * 6/2020 Brindle F41F 3/065
- 10,800,526 B2 * 10/2020 Ewing B64D 7/00
- * cited by examiner

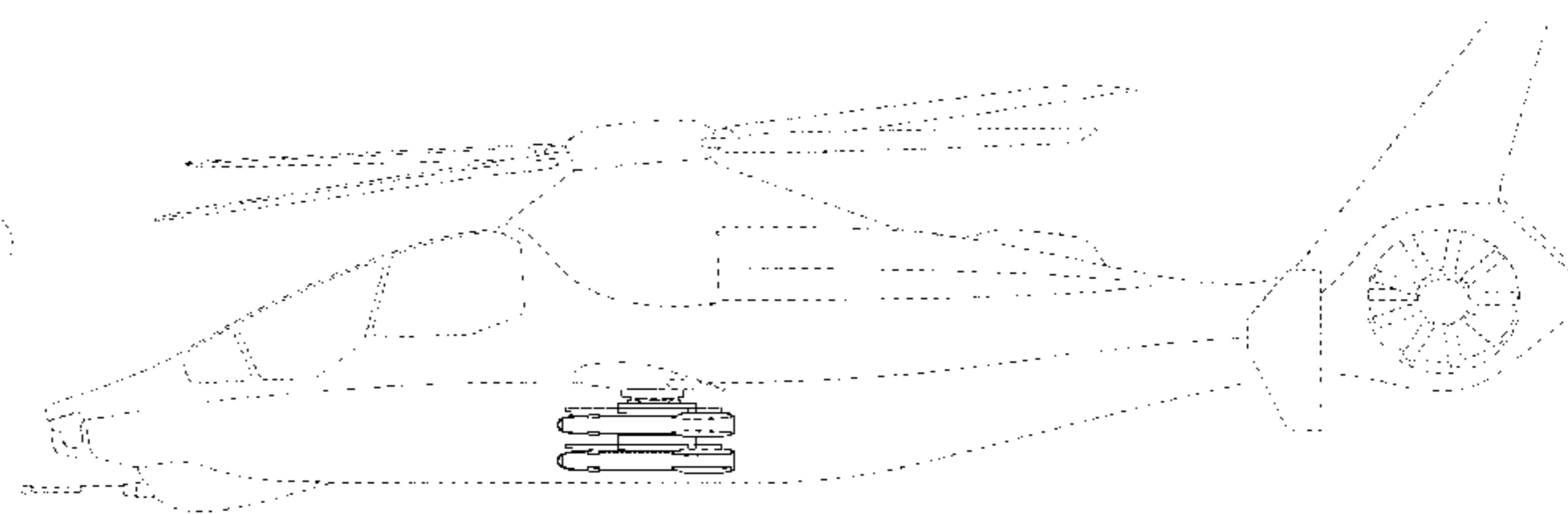
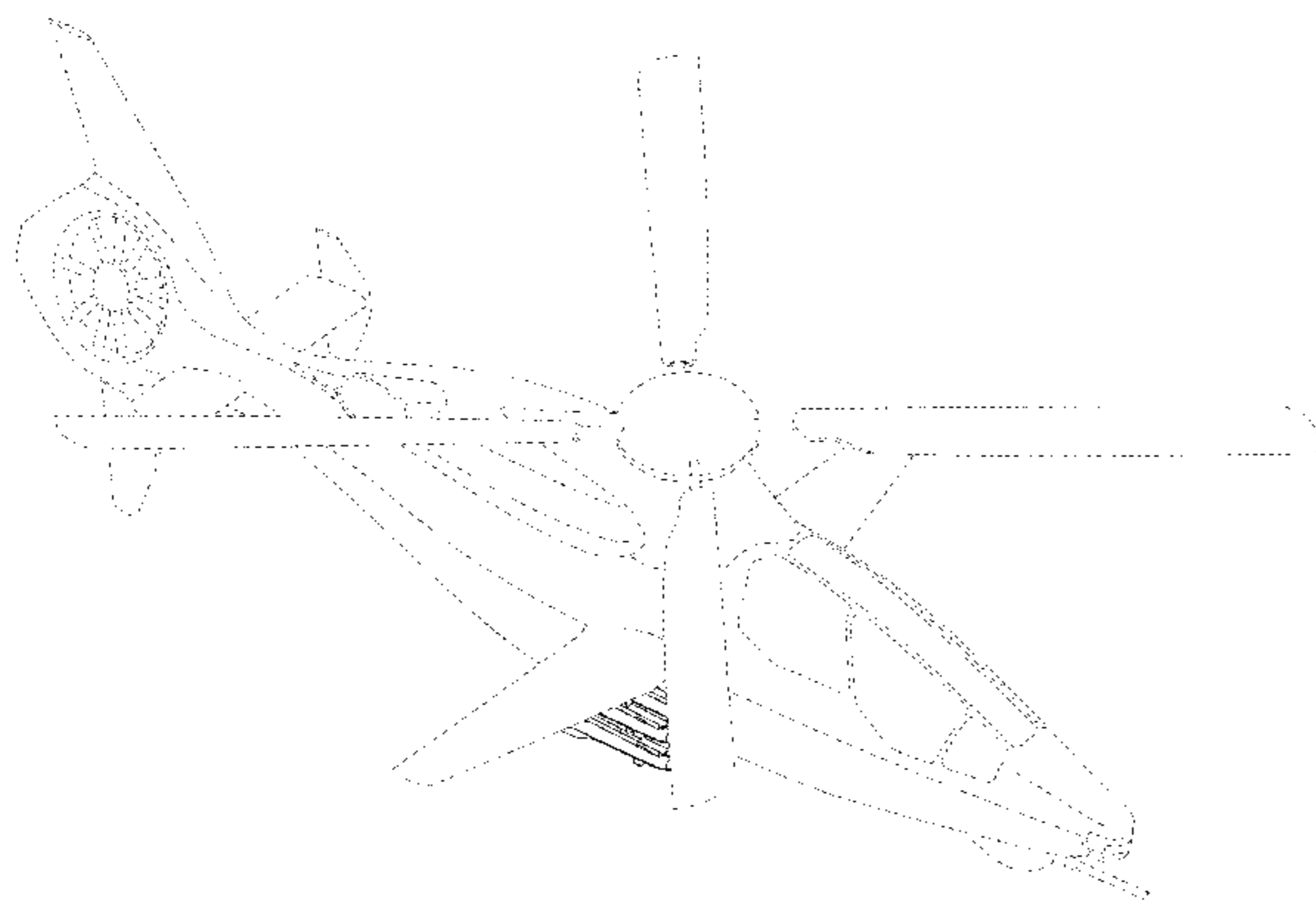
Primary Examiner — Michael A. Pratt
(74) *Attorney, Agent, or Firm* — Lawrence Youst PLLC

(57) **CLAIM**
The ornamental design for an aircraft weapon system, as shown and described.

DESCRIPTION

FIG. 1 is a perspective view of an aircraft weapon system; FIG. 2 is a top plan view of the aircraft weapon system of FIG. 1; FIG. 3 is a bottom plan view of the aircraft weapon system of FIG. 1; FIG. 4 is a right side elevation view of the aircraft weapon system of FIG. 1; FIG. 5 is a left side elevation view of the aircraft weapon system of FIG. 1; FIG. 6 is a front elevation view of the aircraft weapon system of FIG. 1; and, FIG. 7 is a rear elevation view of the aircraft weapon system of FIG. 1.
The broken lines in the drawings represent unclaimed environmental subject matter and form no part of the claim.

1 Claim, 6 Drawing Sheets



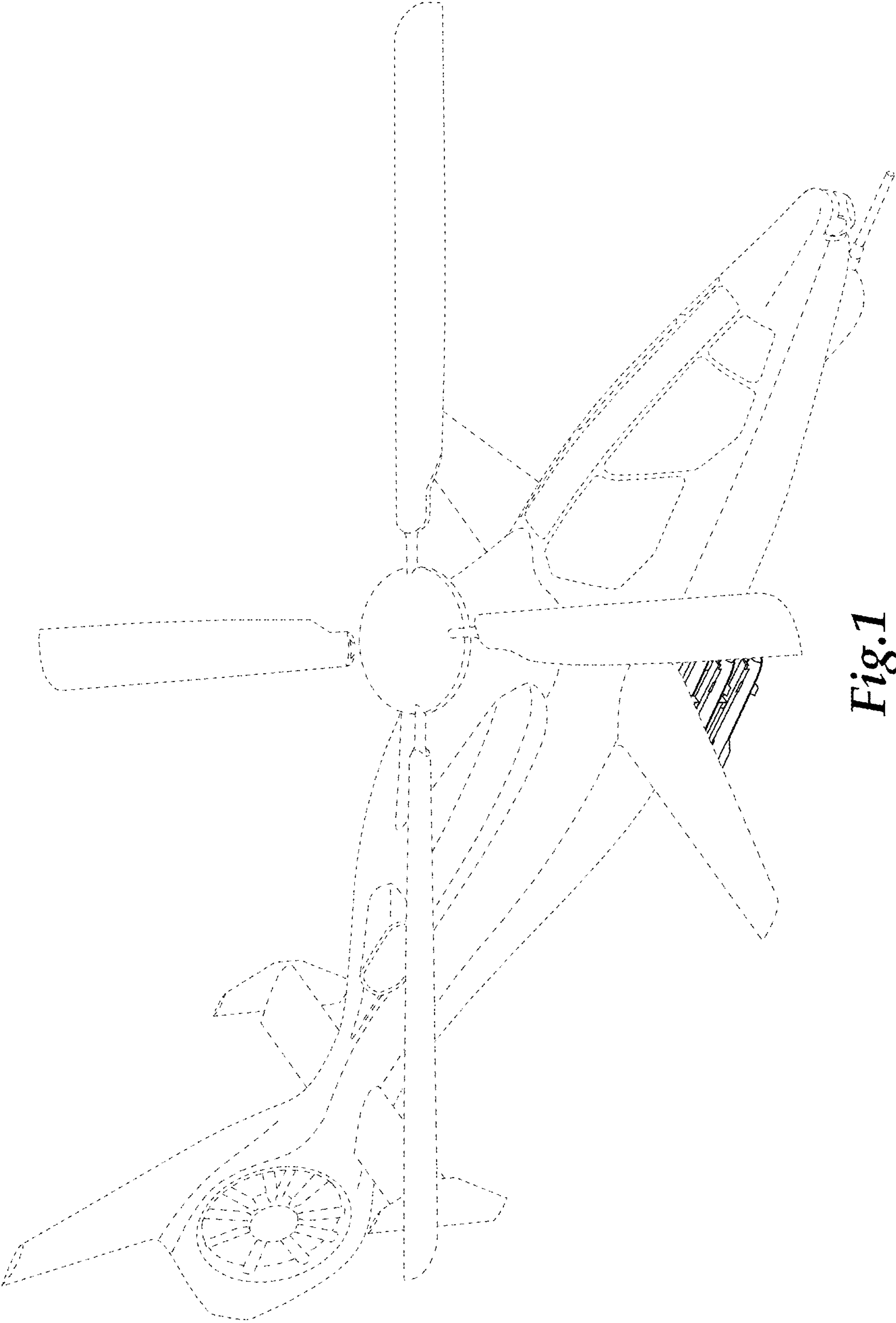


Fig. 1

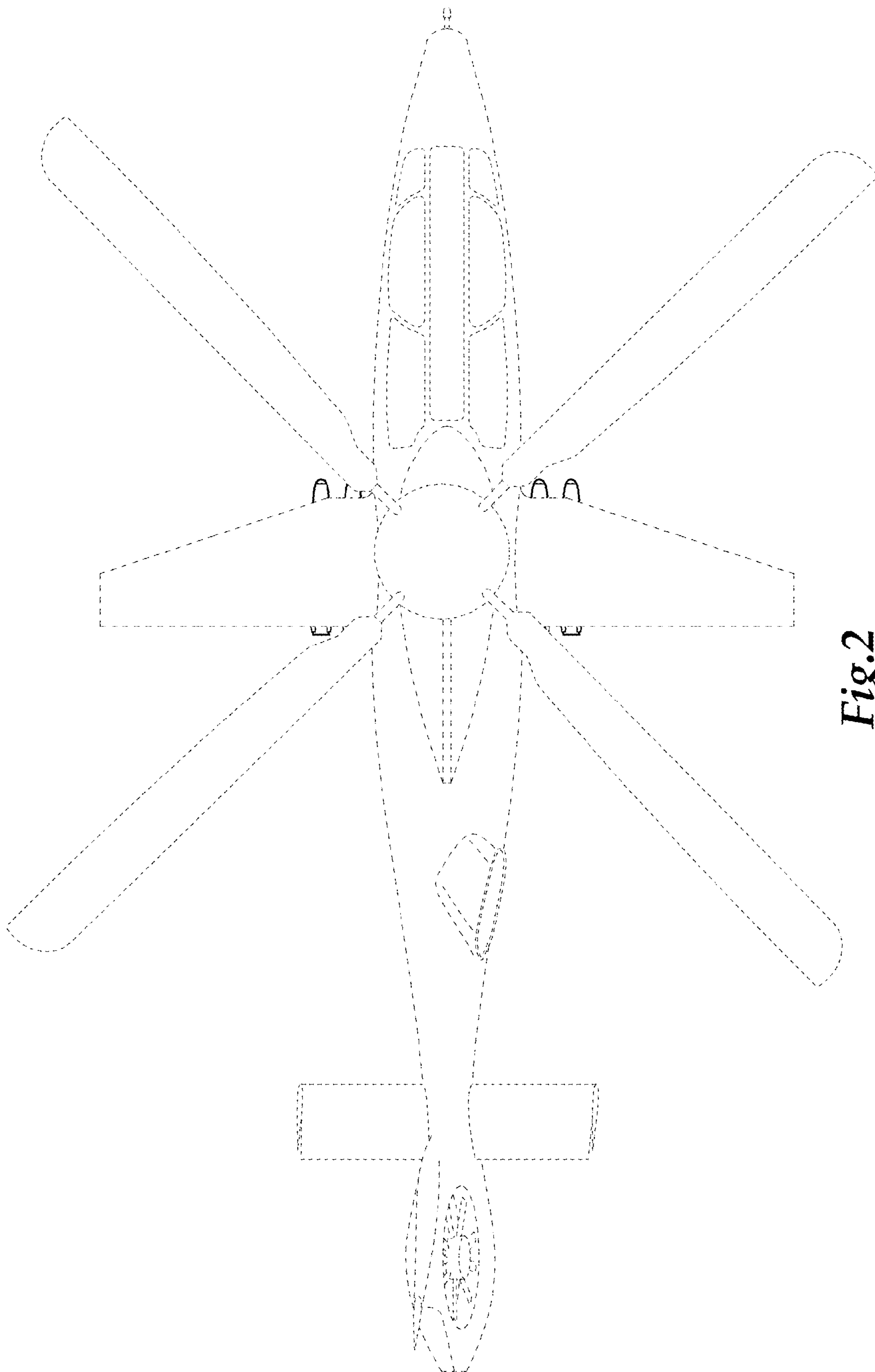


Fig. 2

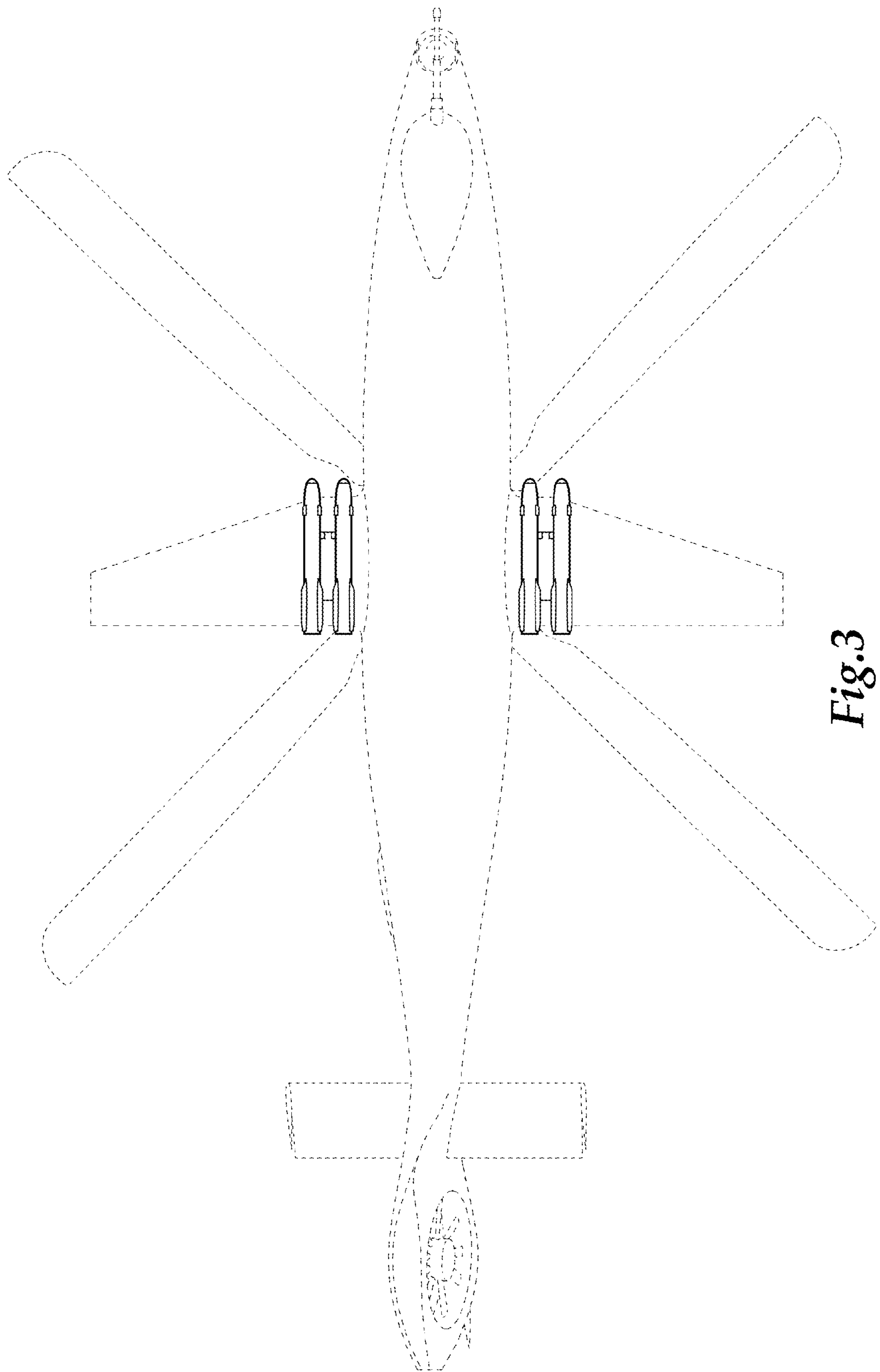


Fig.3

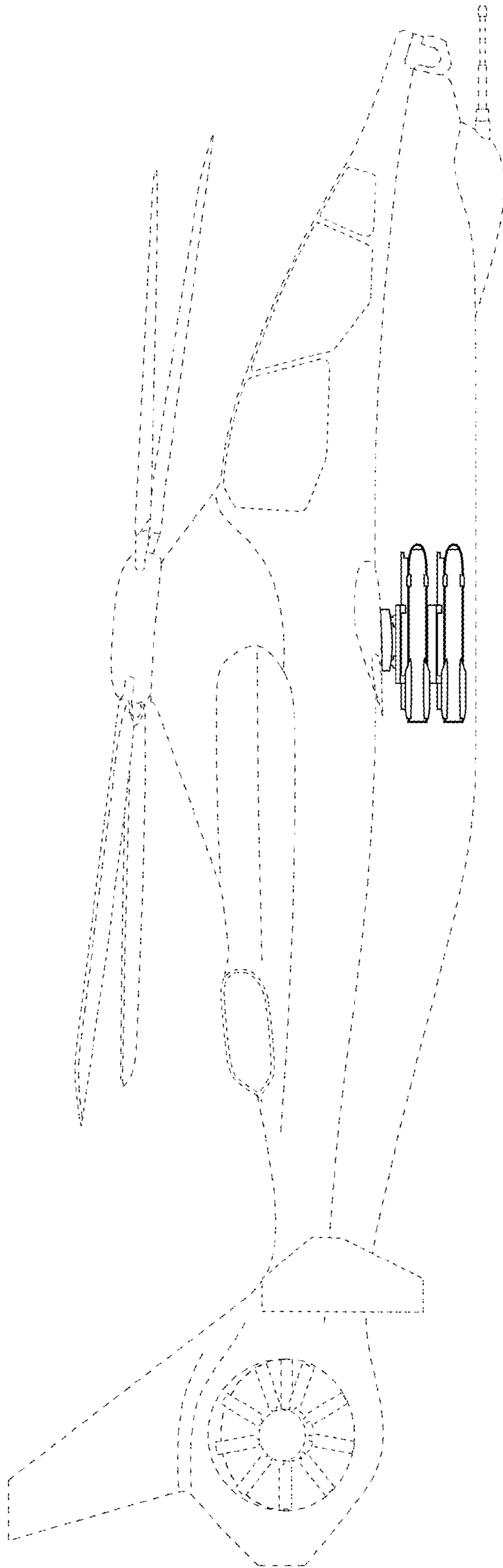


Fig.4

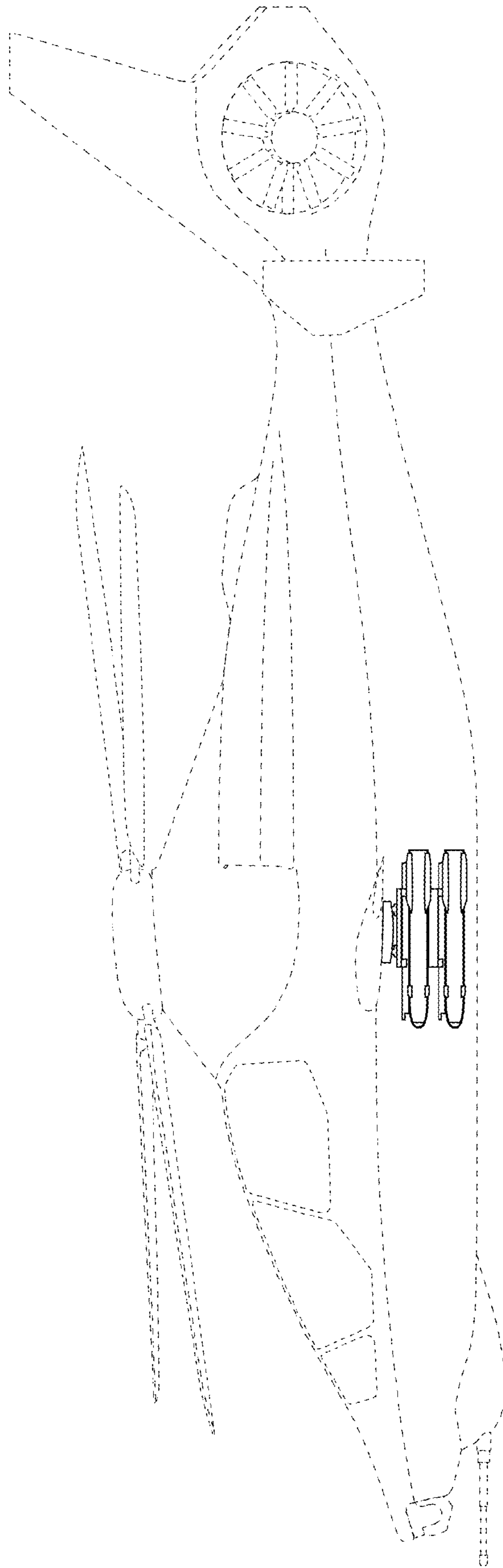


Fig.5

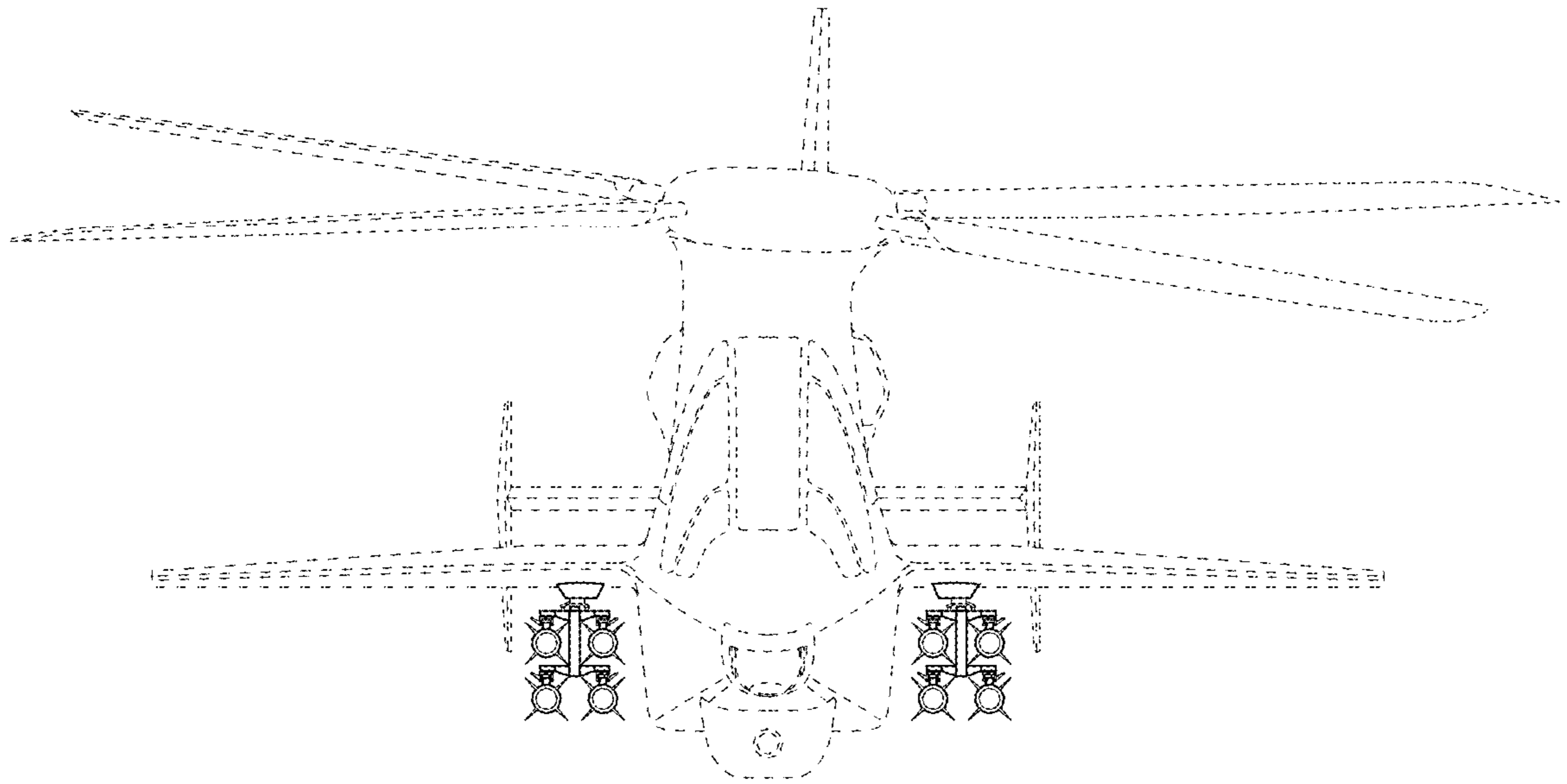


Fig.6

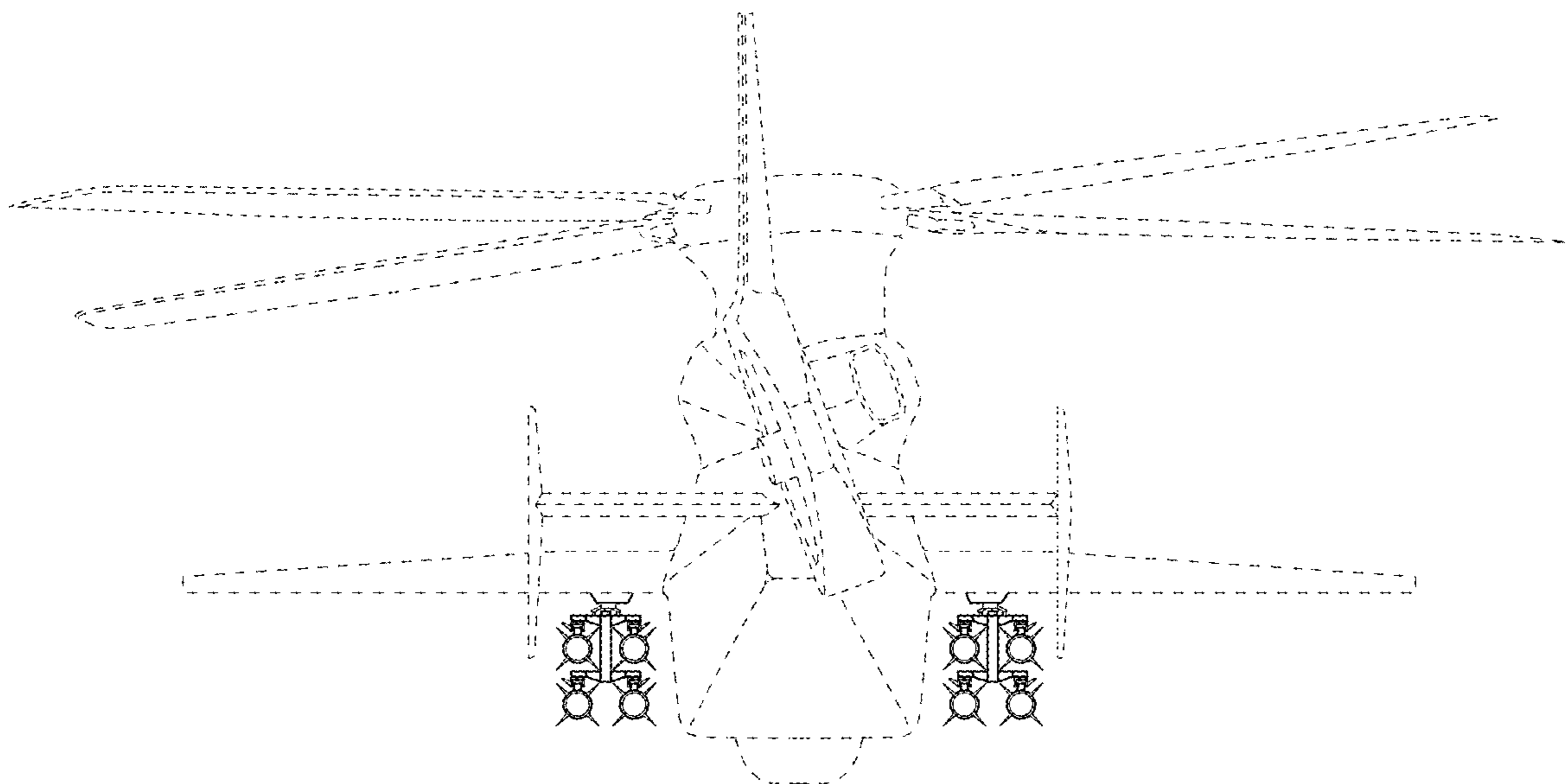


Fig.7