

US00D963781S

(12) **United States Design Patent** (10) **Patent No.:** **US D963,781 S**
Ye (45) **Date of Patent:** **** Sep. 13, 2022**

(54) **MAGNETIC GUN MOUNT**

D923,132 S * 6/2021 Wang D22/109
2018/0142989 A1* 5/2018 Tedder F16M 13/02
2020/0049444 A1* 2/2020 Cerda F41A 23/18

(71) Applicant: **Hangzhou SDM Magnetics Co., Ltd.**,
Zhejiang (CN)

(72) Inventor: **Xuanyu Ye**, Zhejiang (CN)

(73) Assignee: **Hangzhou SDM Magnetics Co., Ltd.**,
Zhejiang (CN)

(**) Term: **15 Years**

(21) Appl. No.: **29/749,890**

(22) Filed: **Sep. 9, 2020**

(51) **LOC (13) Cl.** **22-01**

(52) **U.S. Cl.**
USPC **D22/110**

(58) **Field of Classification Search**
USPC D22/108, 109, 110; D8/349, 353, 354,
D8/373, 382
CPC .. A47B 81/005; A47B 9505/00; B65D 85/00;
B65D 85/48

See application file for complete search history.

(56) **References Cited**

U.S. PATENT DOCUMENTS

D741,690 S * 10/2015 Collins, IV D8/354
D783,386 S * 4/2017 Collins, IV D8/354
D882,718 S * 4/2020 Wu D22/110
D903,810 S * 12/2020 Wu D22/110
D908,832 S * 1/2021 Qian D22/110
D917,002 S * 4/2021 Qian D22/110
D919,740 S * 5/2021 Wang D22/110

OTHER PUBLICATIONS

SDM Magnetics website, Quick Draw Magnet, Publication date unknown, [site visited May 8, 2022], Available on the Internet URL www.magnet-sdm.com/quick-draw-gun-magnet/ (Year: 2022).*

* cited by examiner

Primary Examiner — S. Bryan Reinholdt, Jr.

(74) *Attorney, Agent, or Firm* — ScienBiziP, P.C.

(57) **CLAIM**

The ornamental design for a magnetic gun mount, as shown and described.

DESCRIPTION

FIG. 1 is a perspective view of a magnetic gun mount, showing my design.

FIG. 2 is a front elevation view thereof.

FIG. 3 is a rear elevation view thereof.

FIG. 4 is a left side elevation view thereof.

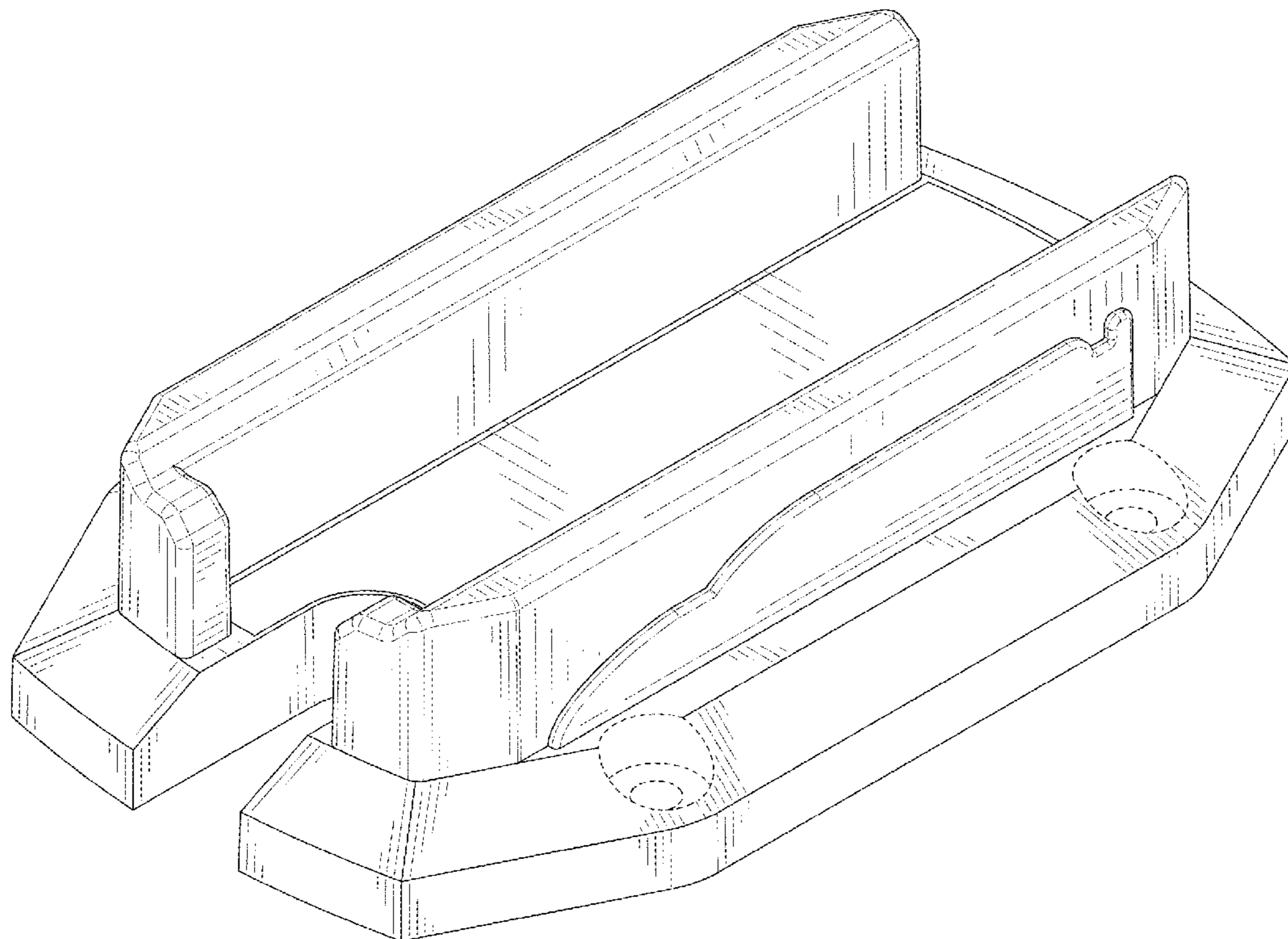
FIG. 5 is a right side elevation view thereof.

FIG. 6 is a top plan view thereof; and,

FIG. 7 is a bottom plan view thereof.

The broken lines and the areas within them in the drawings depict portions of the magnetic gun mount that form no part of the claimed design.

1 Claim, 7 Drawing Sheets



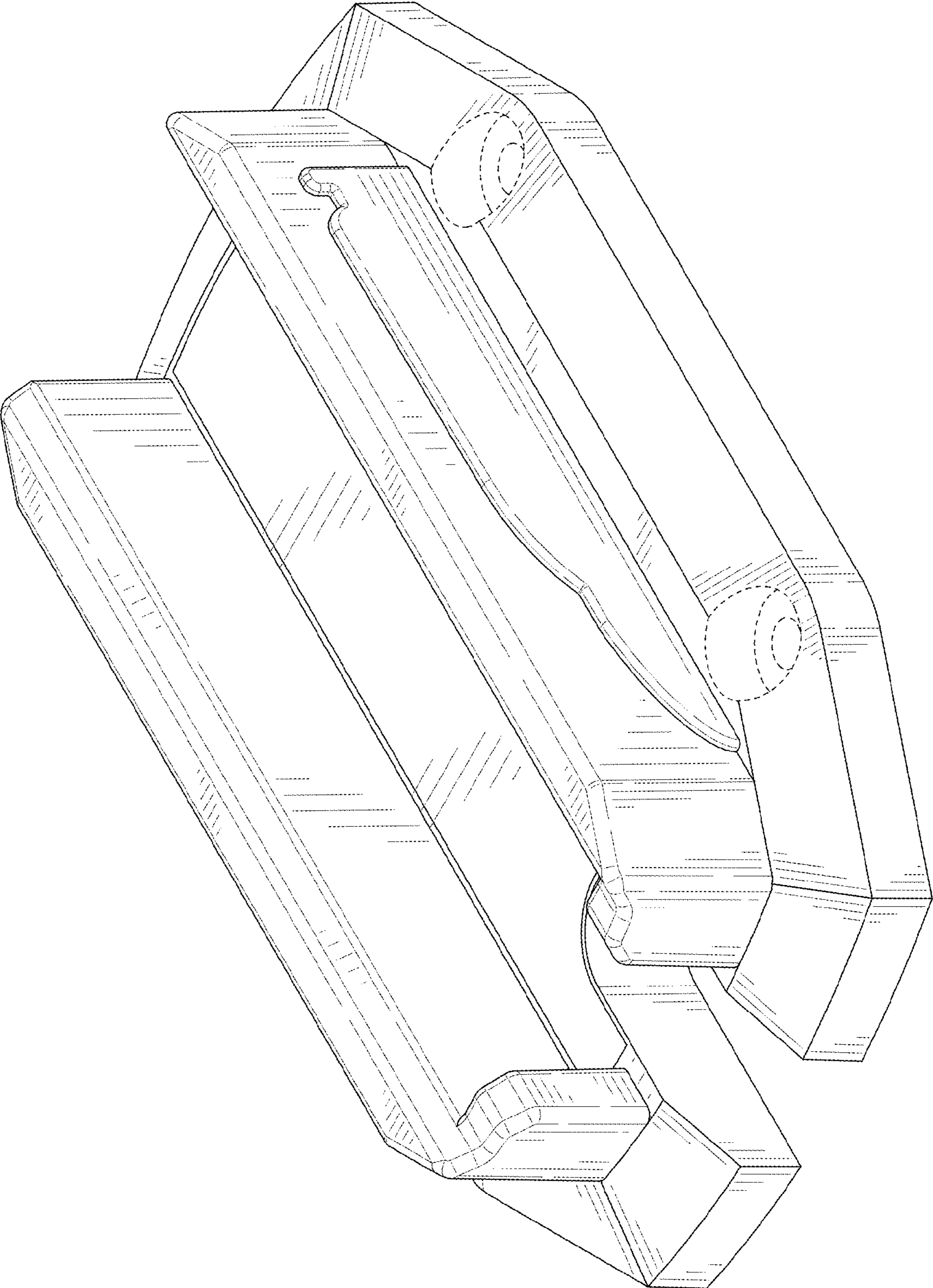


FIG. 1

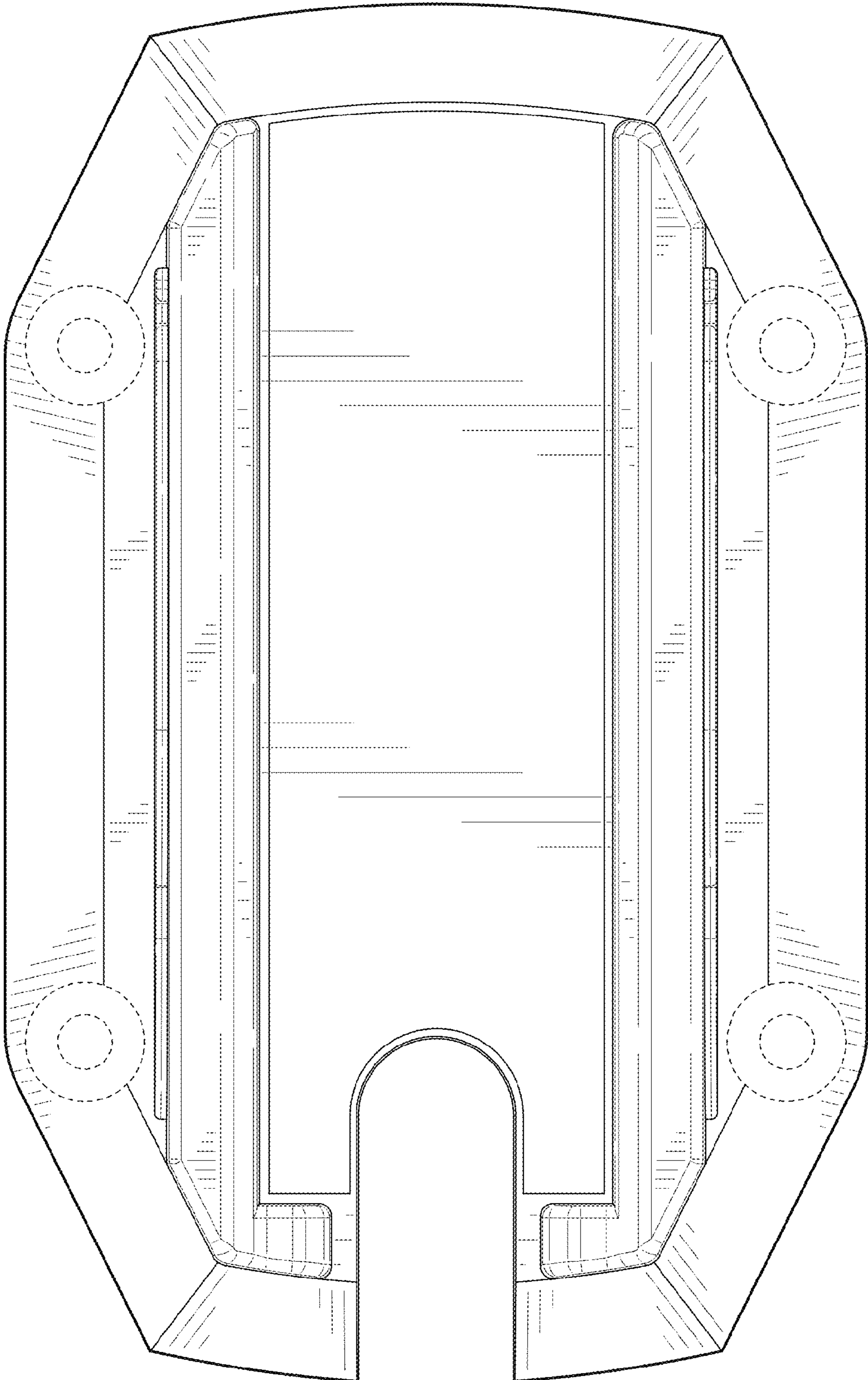


FIG. 2

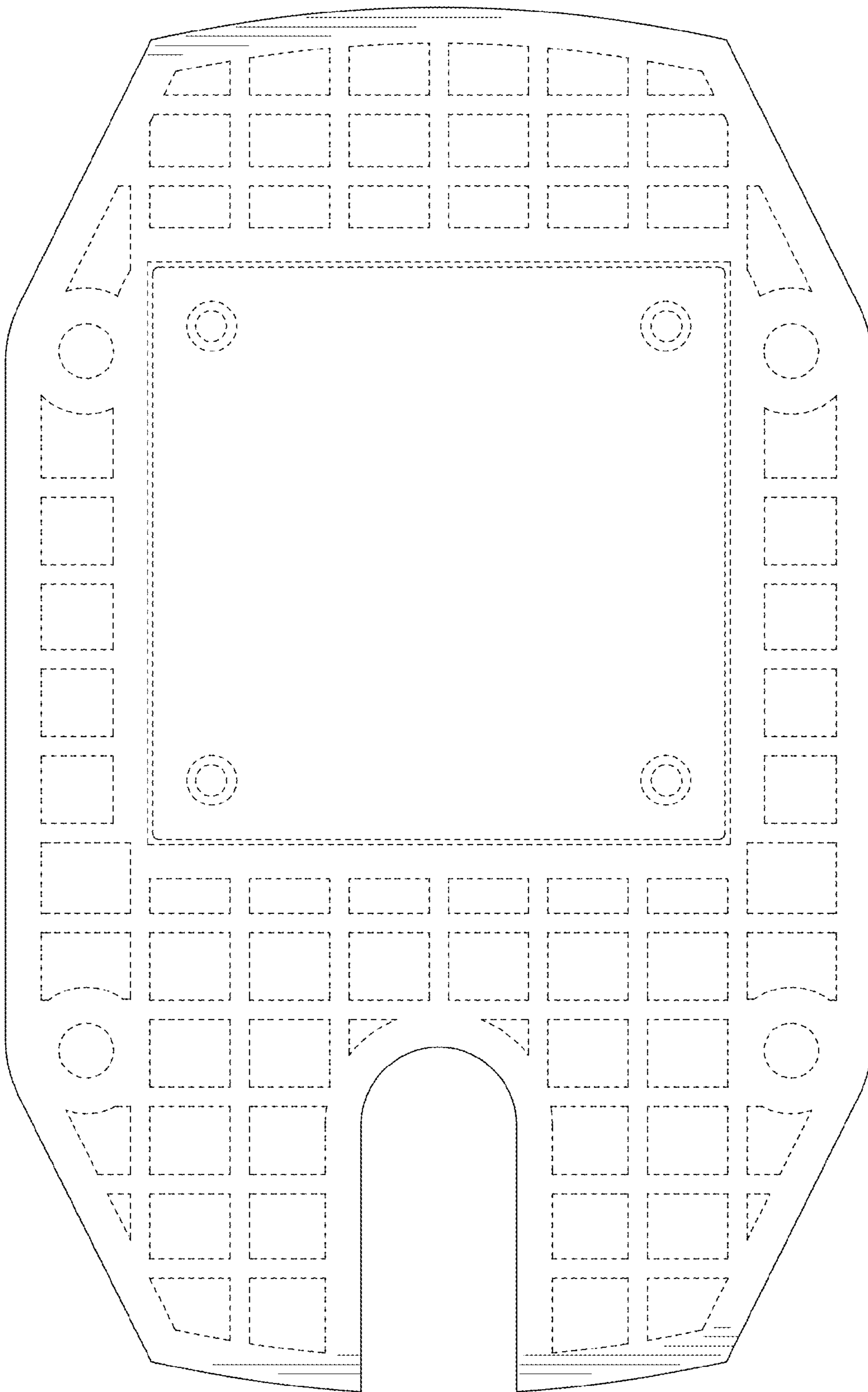


FIG. 3

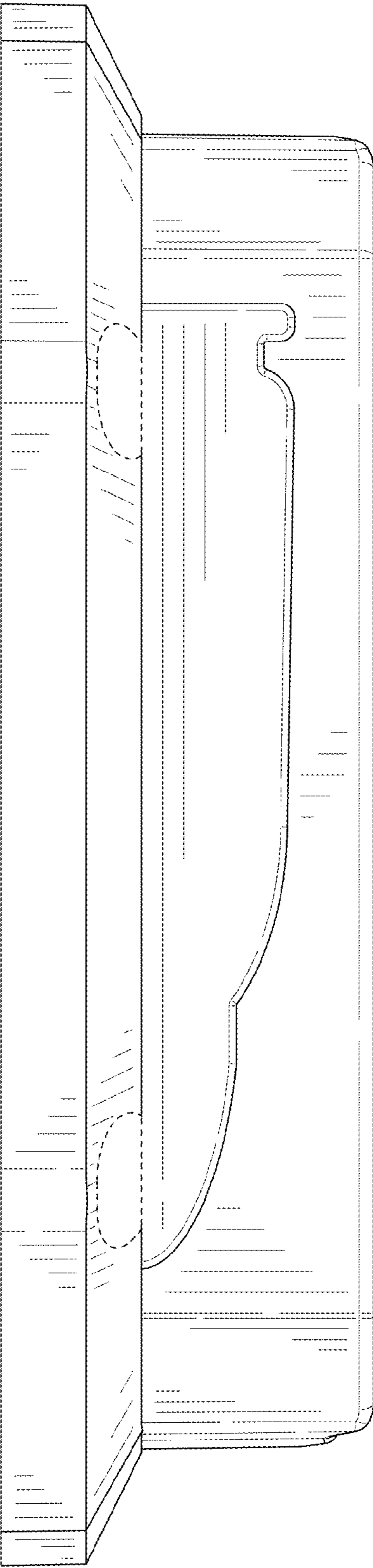


FIG. 4

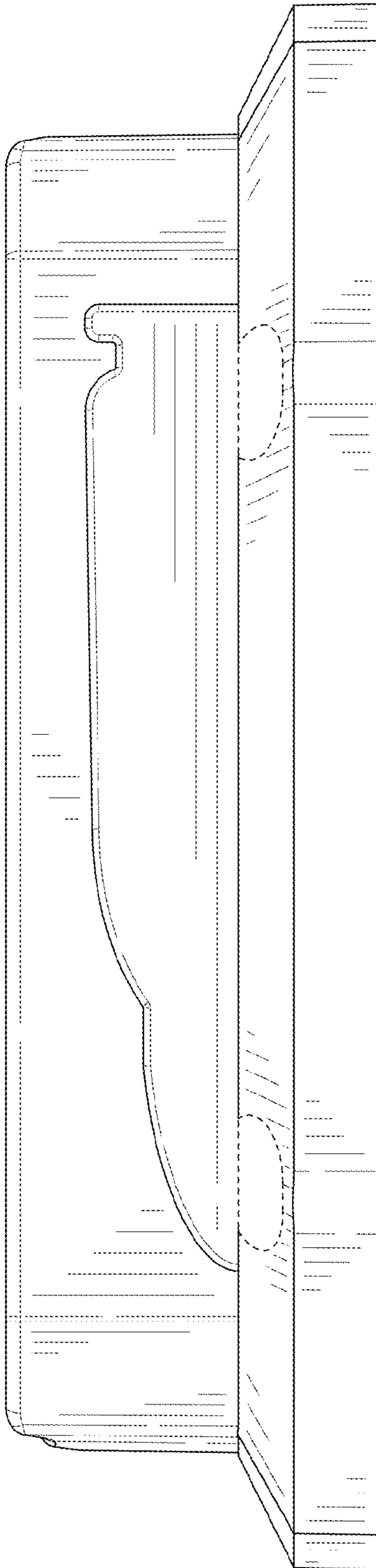


FIG. 5

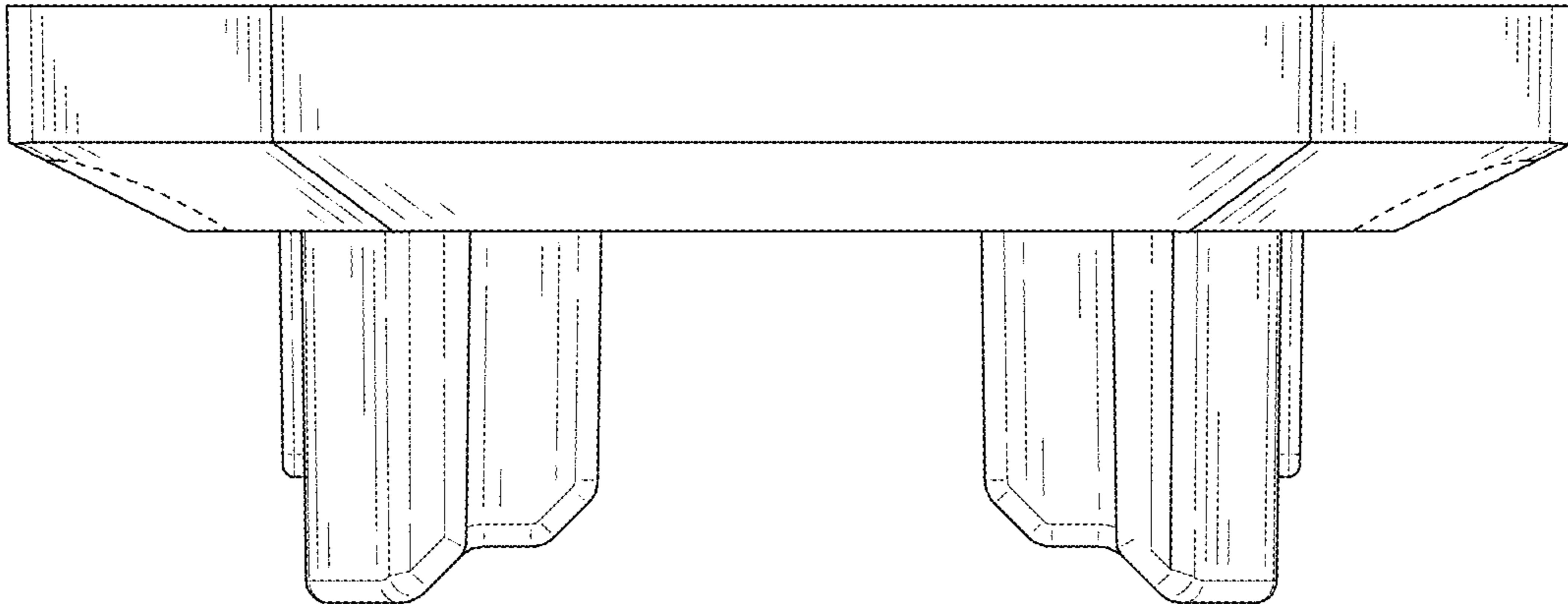


FIG. 6

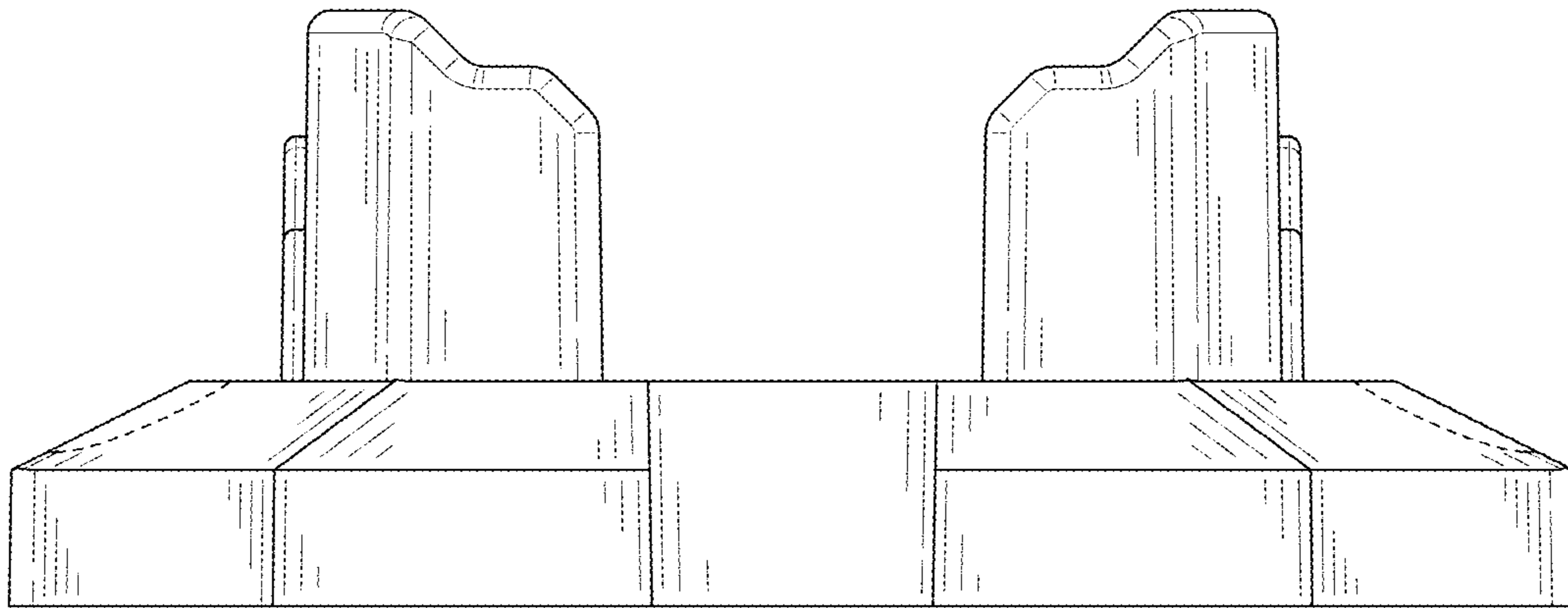


FIG. 7