



US00D963779S

(12) **United States Design Patent**
Vargo

(10) **Patent No.:** **US D963,779 S**

(45) **Date of Patent:** **** Sep. 13, 2022**

(54) **FOUR POINT TENT ERECTION SYSTEM**

(71) Applicant: **Brian J. Vargo**, Lewisburg, PA (US)

(72) Inventor: **Brian J. Vargo**, Lewisburg, PA (US)

(**) Term: **15 Years**

(21) Appl. No.: **29/646,693**

(22) Filed: **May 7, 2018**

(51) **LOC (13) Cl.** **21-04**

(52) **U.S. Cl.**
USPC **D21/834**

(58) **Field of Classification Search**
USPC D21/834, 837, 838
CPC E04H 15/00; E04H 15/003; E04H 15/40;
E04H 15/405; E04H 15/44; E04H 15/42;
E04H 15/425

See application file for complete search history.

(56) **References Cited**

U.S. PATENT DOCUMENTS

4,709,718	A *	12/1987	Nichols	E04H 15/40 135/115
D325,063	S *	3/1992	Cantwell	D21/834
5,197,505	A *	3/1993	Tate	E04H 15/322 135/123
D403,041	S *	12/1998	Funk	D21/834
D534,614	S *	1/2007	Gallaway	D21/834
D594,080	S *	6/2009	Flem	D21/834
D725,211	S *	3/2015	Lah	D21/834

D725,212	S *	3/2015	Lah	D21/834
D778,382	S *	2/2017	Weber	D21/834
D858,676	S *	9/2019	Xu	D21/834
D910,795	S *	2/2021	Zhu	D21/834
D921,811	S *	6/2021	Cheng	D21/834
2018/0220751	A1 *	8/2018	Jin	E04H 15/32

* cited by examiner

Primary Examiner — Cynthia M. Chin

(74) *Attorney, Agent, or Firm* — Sonya C. Harris;
Invention Services Patent Firm

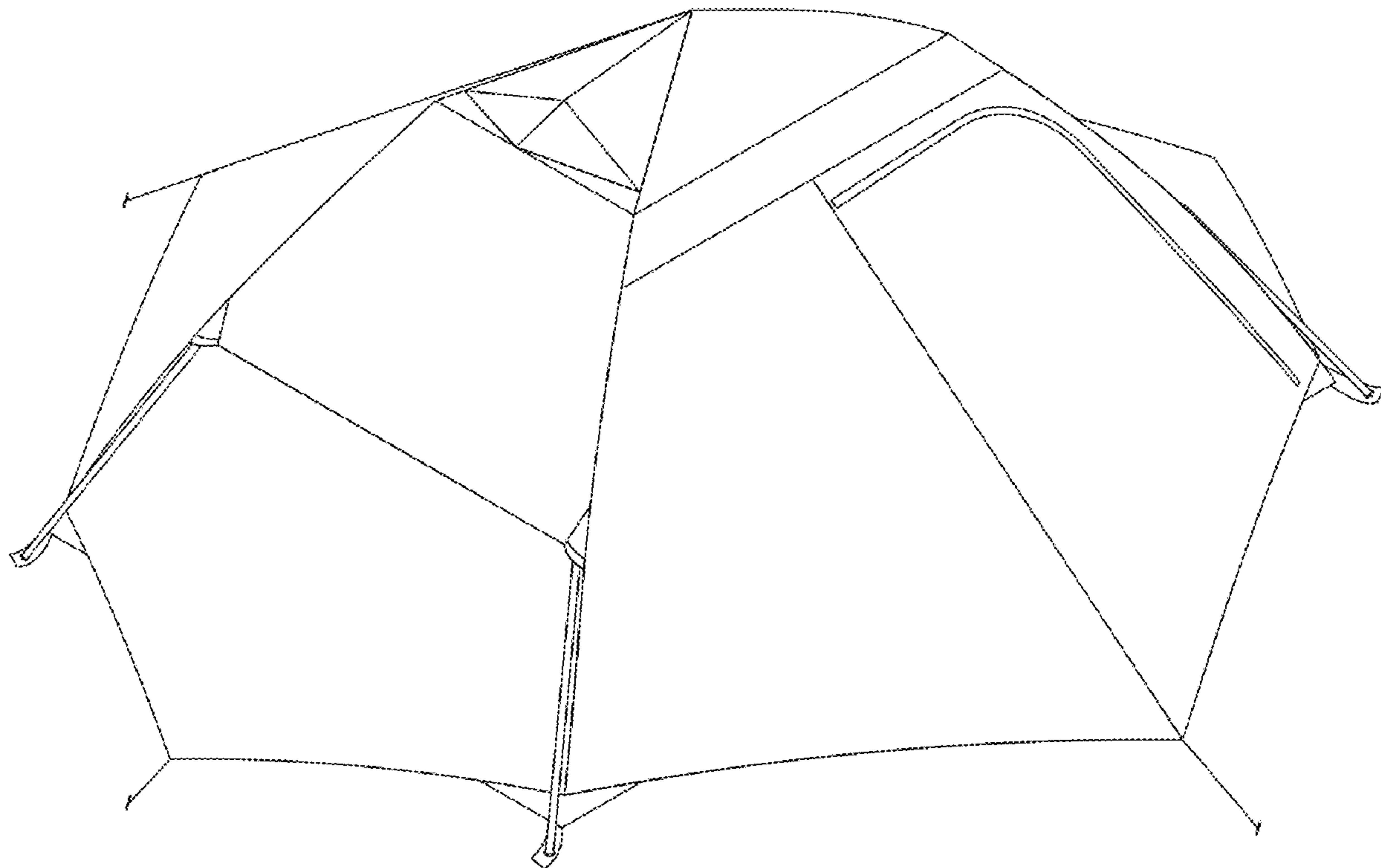
(57) **CLAIM**

The ornamental design for the a four point tent erection system, as shown and described.

DESCRIPTION

FIG. 1 is a top left front perspective view of my four point tent erection system;
FIG. 2 is a top elevational view of my design;
FIG. 3 is a right side elevational view of my design;
FIG. 4 is a front elevational view of my design;
FIG. 5 is a rear elevational view of my design;
FIG. 6 is a left side elevational view of my design; and,
FIG. 7 is a bottom elevational view of my design. The broken lines are for the purpose of illustrating portions of the article that form no part of the claimed design.

1 Claim, 7 Drawing Sheets



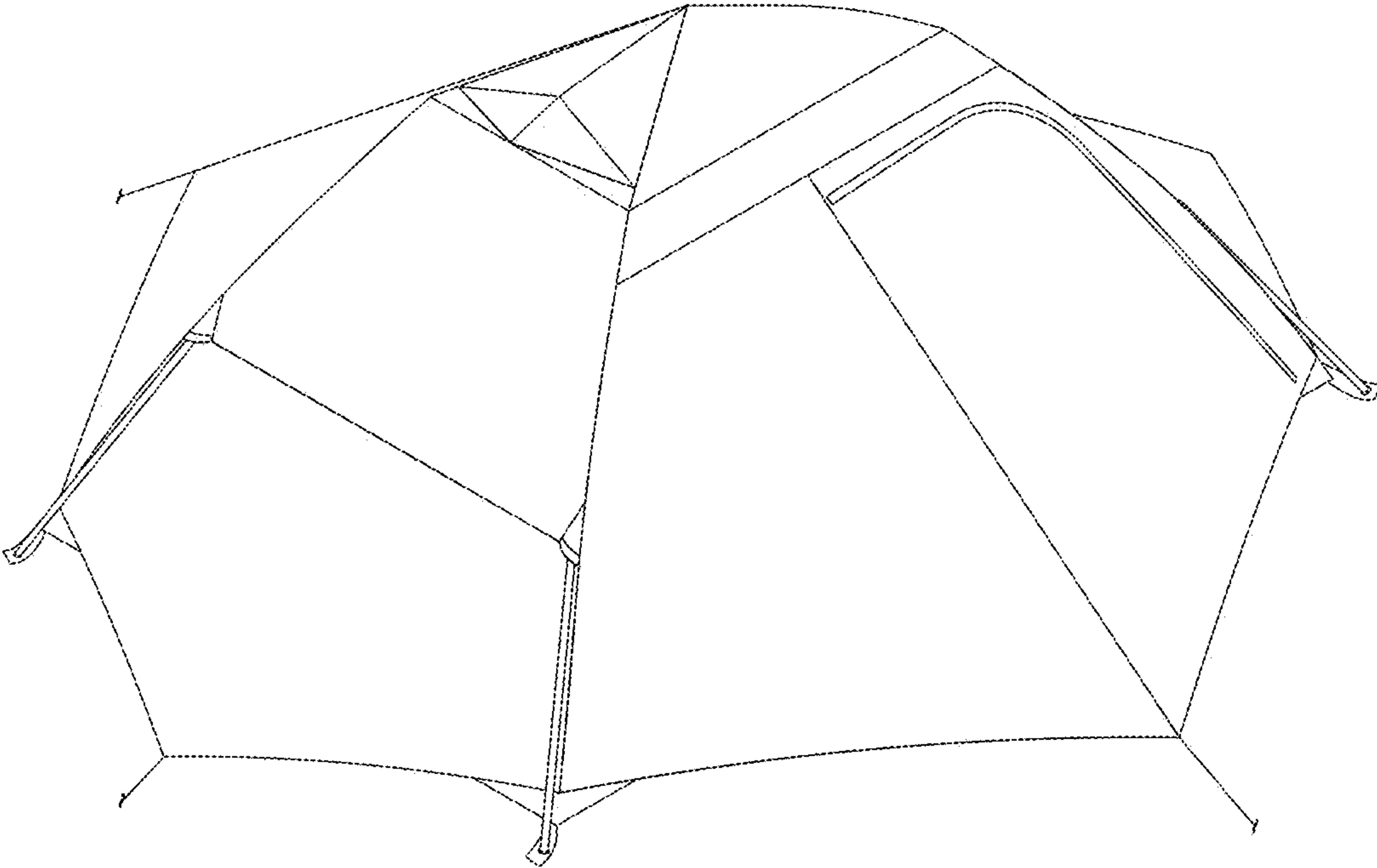


Fig. 1

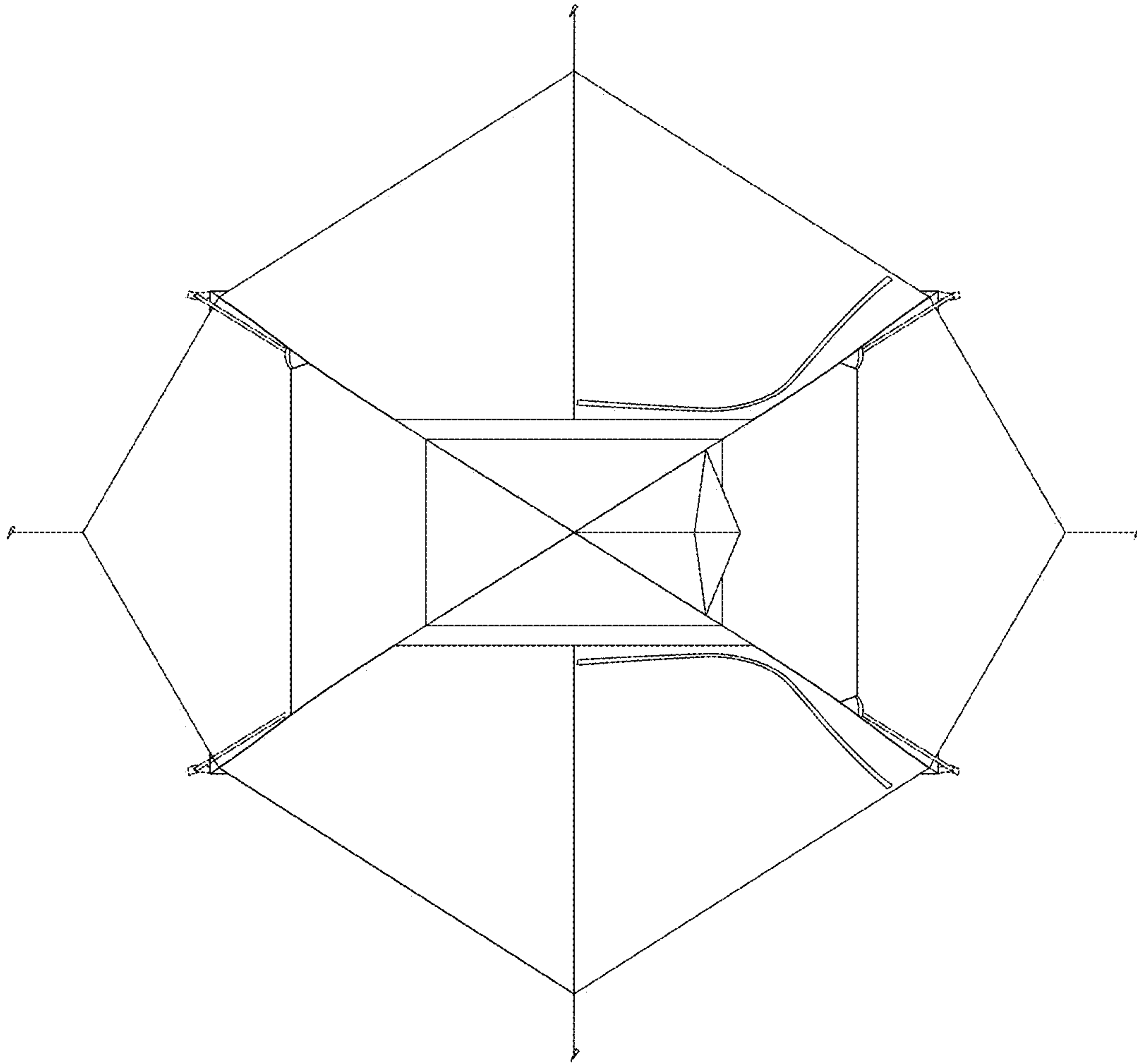


Fig. 2

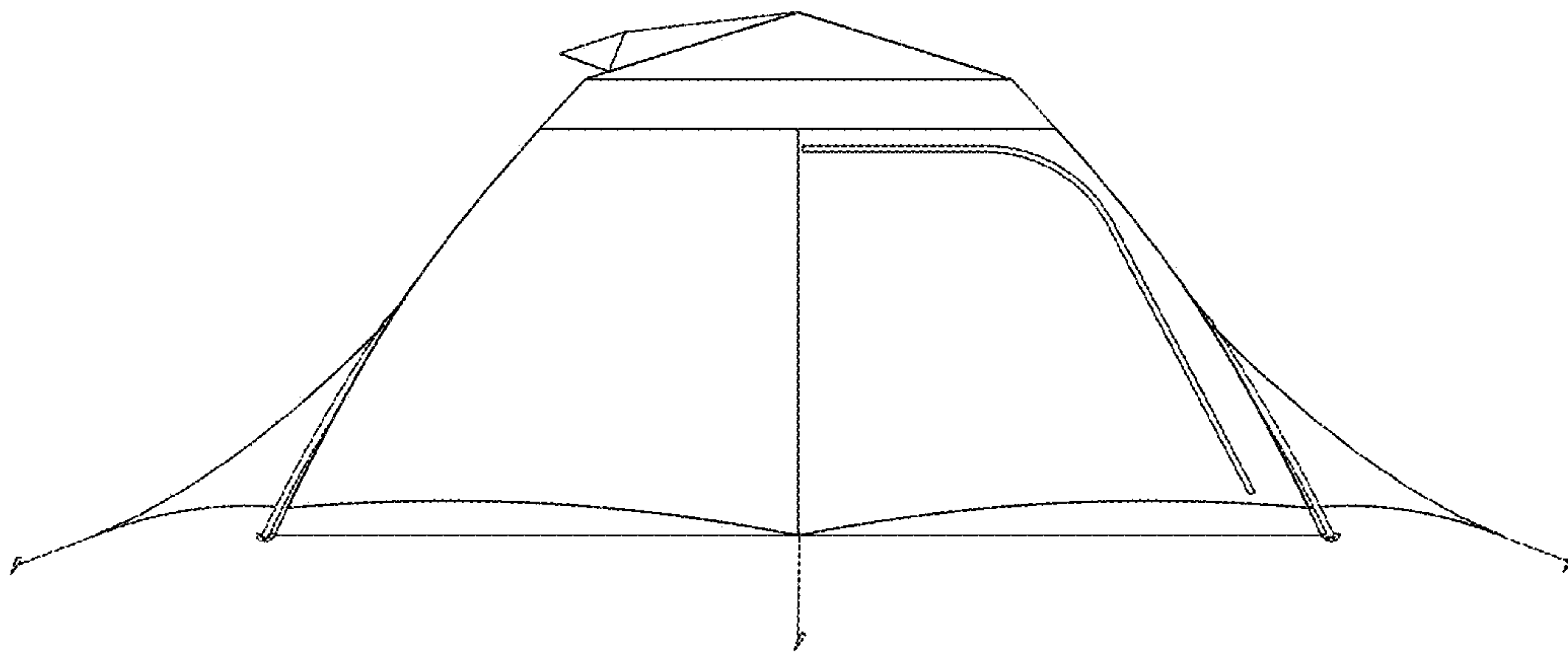


Fig.3

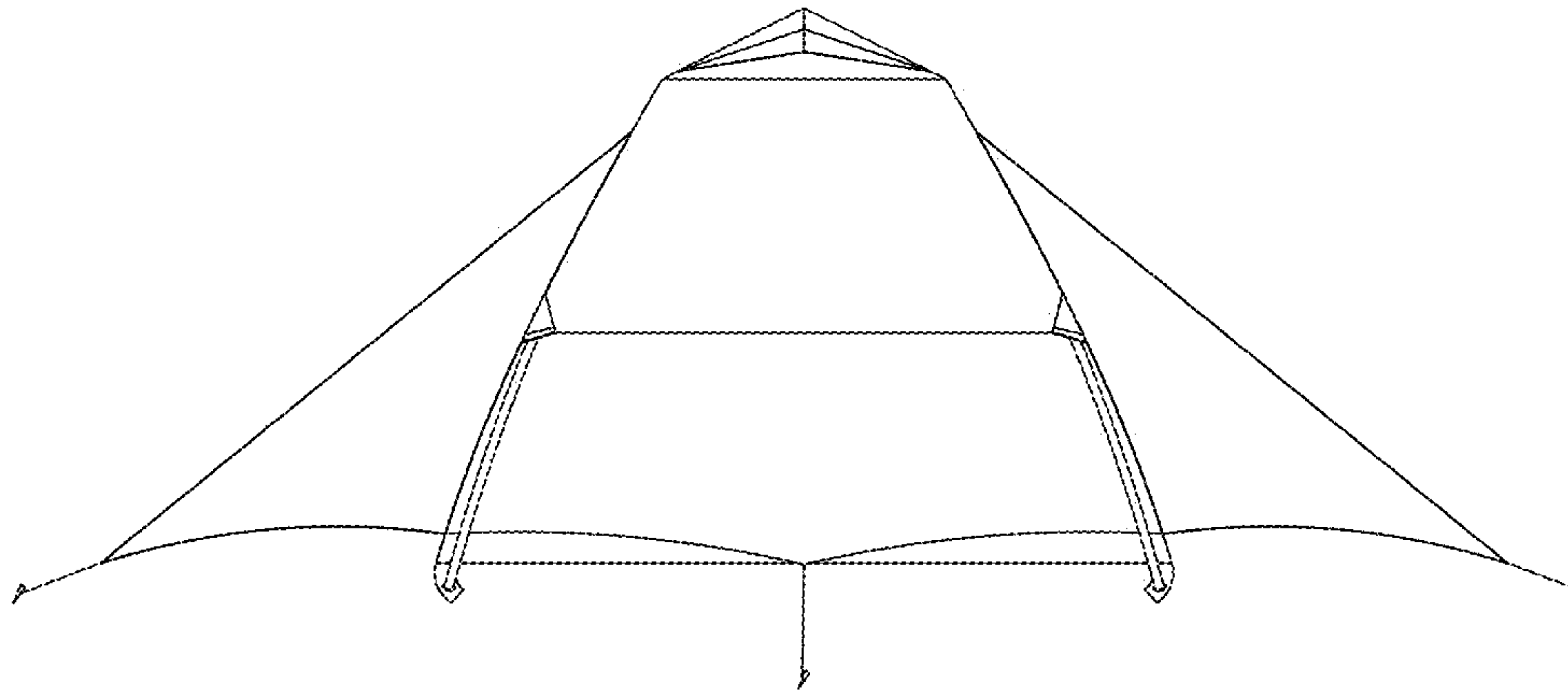


Fig. 4

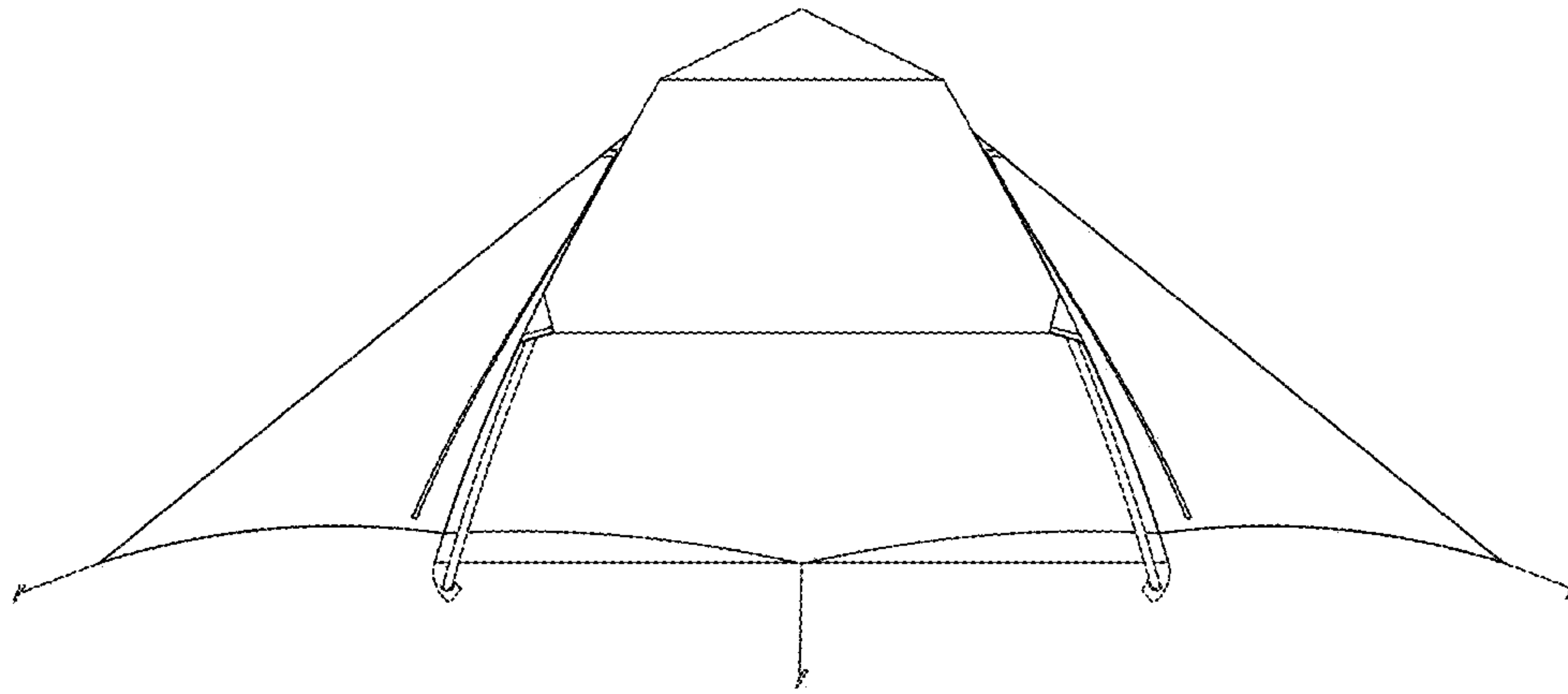


Fig. 5

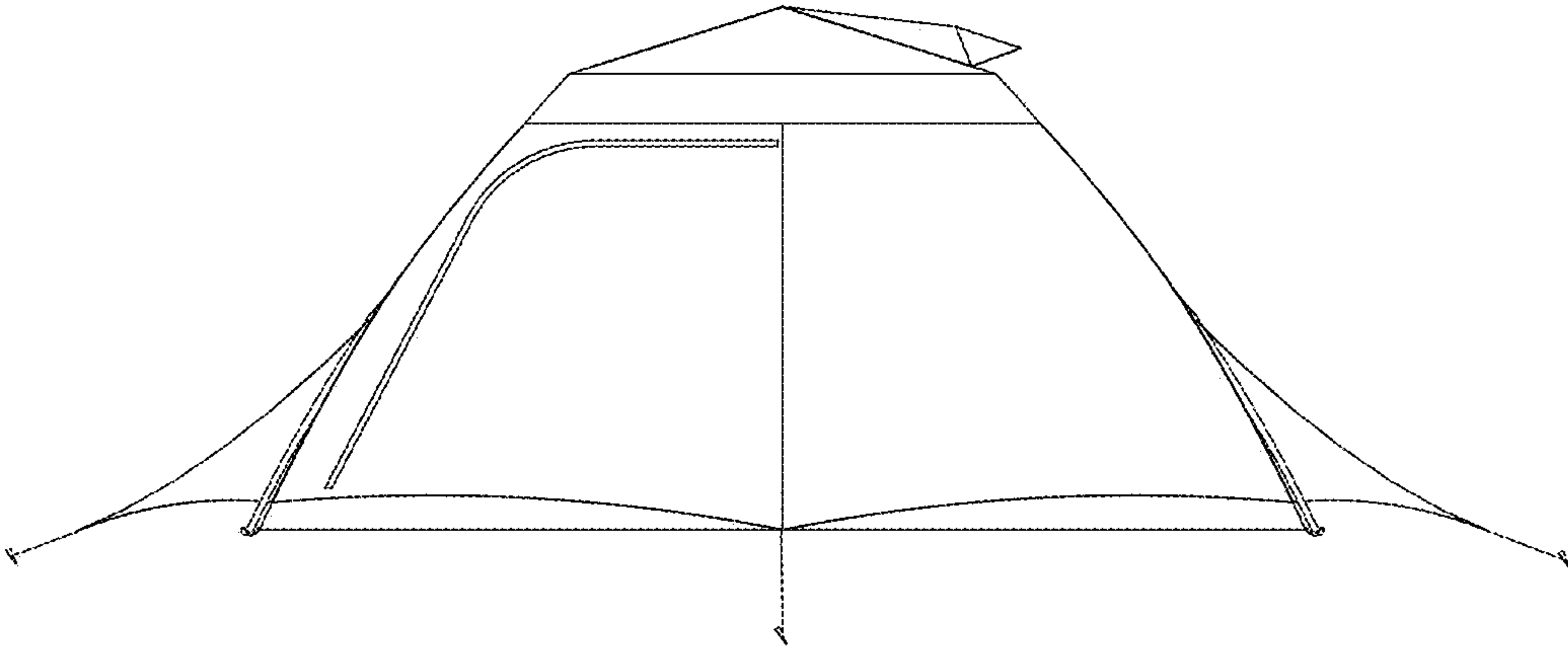


Fig. 6

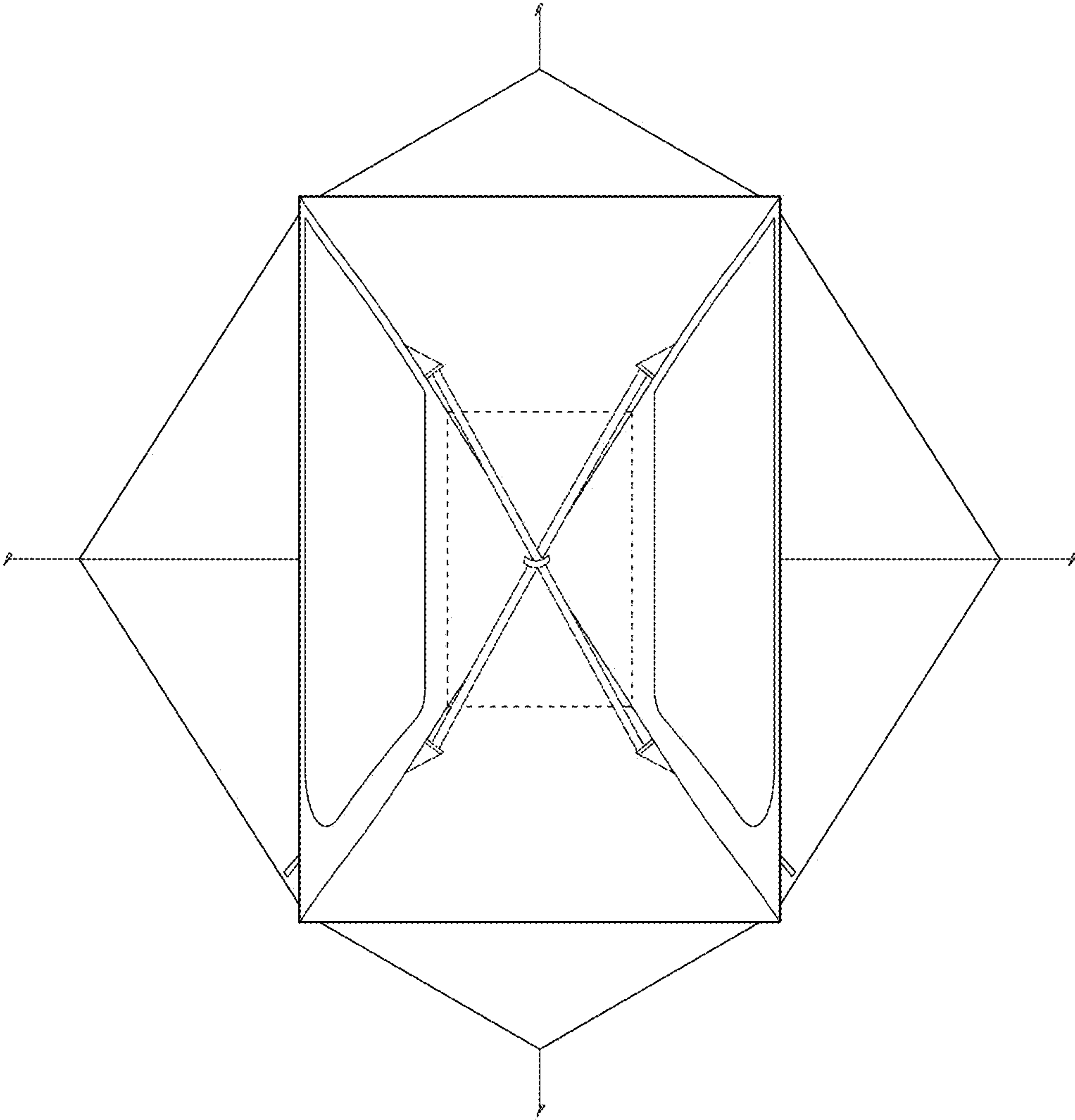


Fig. 7