

US00D963778S

(12) **United States Design Patent**  
**Brittain**

(10) **Patent No.:** **US D963,778 S**

(45) **Date of Patent:** **\*\* Sep. 13, 2022**

(54) **GOLF TRAINING DEVICE**

7,172,513 B1 \* 2/2007 Rinker ..... A63B 53/065  
473/238

(71) Applicant: **The Swing Plate Ltd**, Telford (GB)

D760,855 S \* 7/2016 Enter ..... D21/791

(72) Inventor: **James Brittain**, Telford (GB)

D815,708 S \* 4/2018 Wakoh ..... D21/791

(73) Assignee: **The Swing Plate Ltd.**, Telford (GB)

D895,044 S \* 9/2020 Zhang ..... G01B 5/24  
D21/791

D949,998 S \* 4/2022 Wang ..... A63B 53/065  
D21/791

(\*\*) Term: **15 Years**

\* cited by examiner

(21) Appl. No.: **35/512,095**

*Primary Examiner* — Joseph Kukella

(22) Filed: **Feb. 25, 2021**

(74) *Attorney, Agent, or Firm* — Umberg Zipser LLP;  
Ryan Dean

(80) **Hague Agreement Data**

Int. Filing Date: **Feb. 25, 2021**

Int. Reg. No.: **DM/214827**

Int. Reg. Date: **Feb. 25, 2021**

Int. Reg. Pub. Date: **Jun. 25, 2021**

(57) **CLAIM**

The ornamental design for a golf training device, as shown and described.

(51) **LOC (13) Cl.** ..... **21-02**

(52) **U.S. Cl.**

USPC ..... **D21/791**

(58) **Field of Classification Search**

USPC ..... D21/789–796

CPC ..... A63B 69/3621; A63B 69/3629; A63B  
69/36211; A63B 69/3623

See application file for complete search history.

**DESCRIPTION**

1. Golf training device

**1.1** : Perspective

**1.2** : Perspective

**1.3** : Front

**1.4** : Left

**1.5** : Back

**1.6** : Right

**1.7** : Top

**1.8** : Bottom

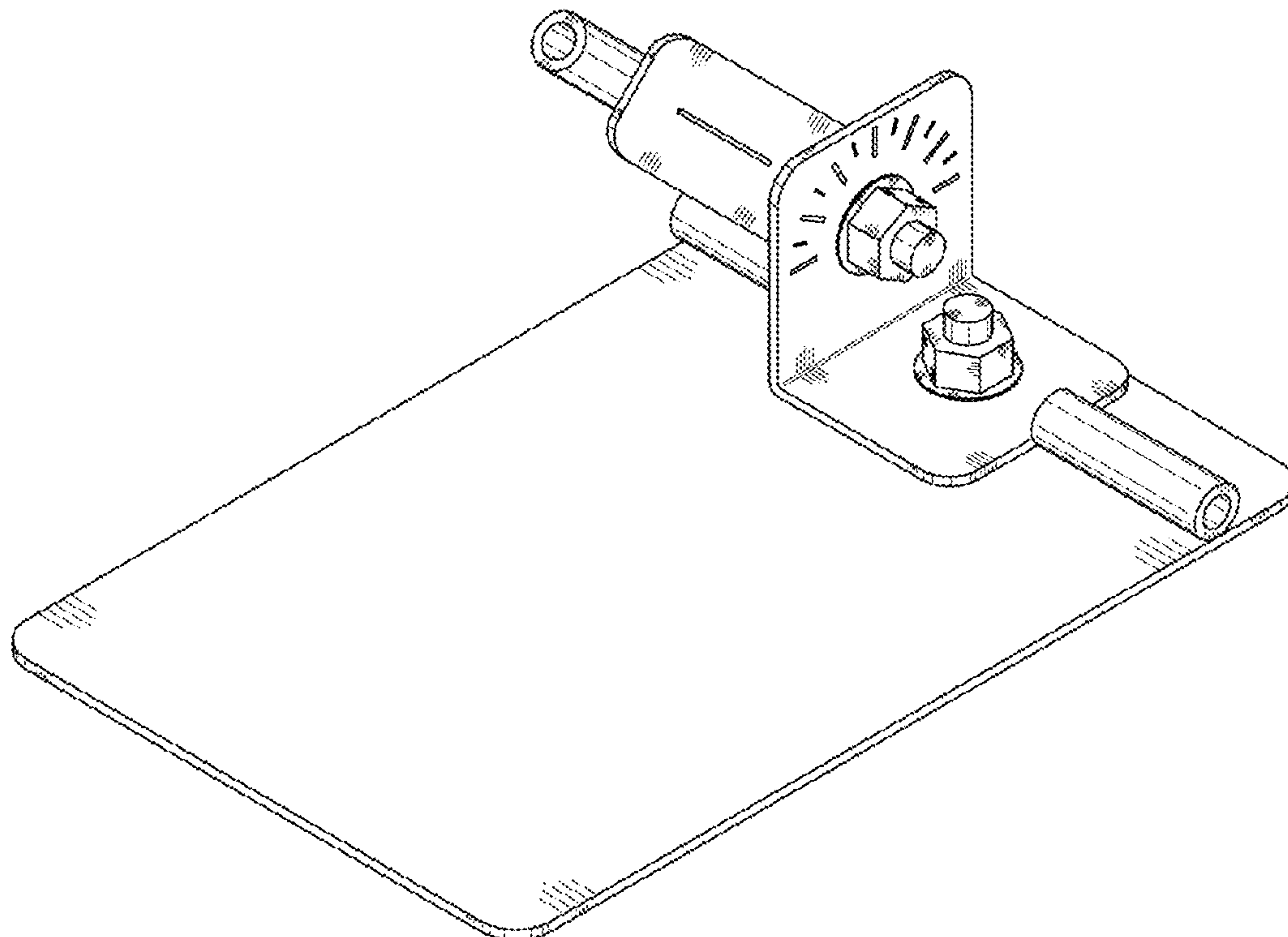
(56) **References Cited**

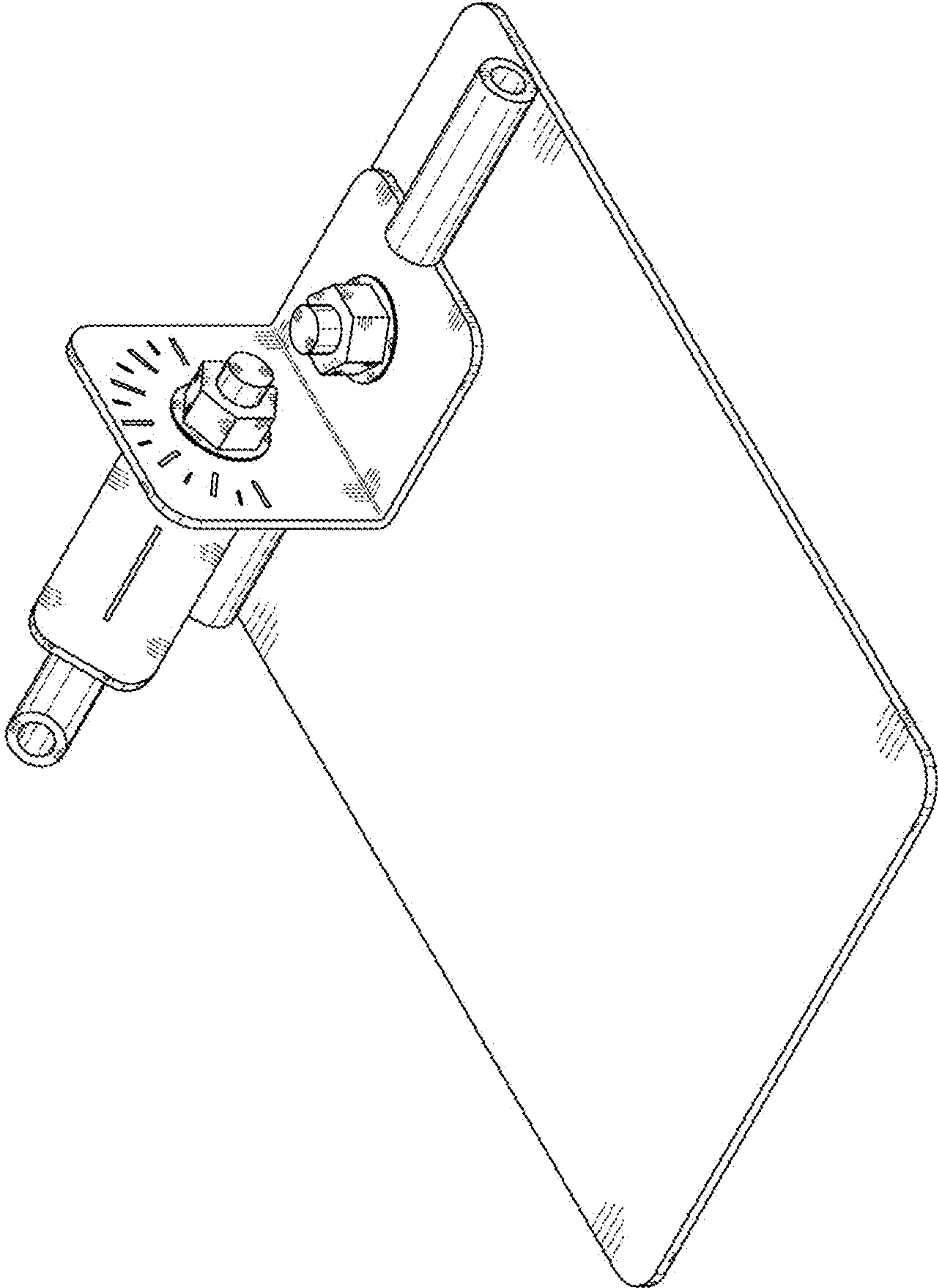
**U.S. PATENT DOCUMENTS**

4,817,294 A \* 4/1989 Lai ..... G01B 5/24  
D10/65

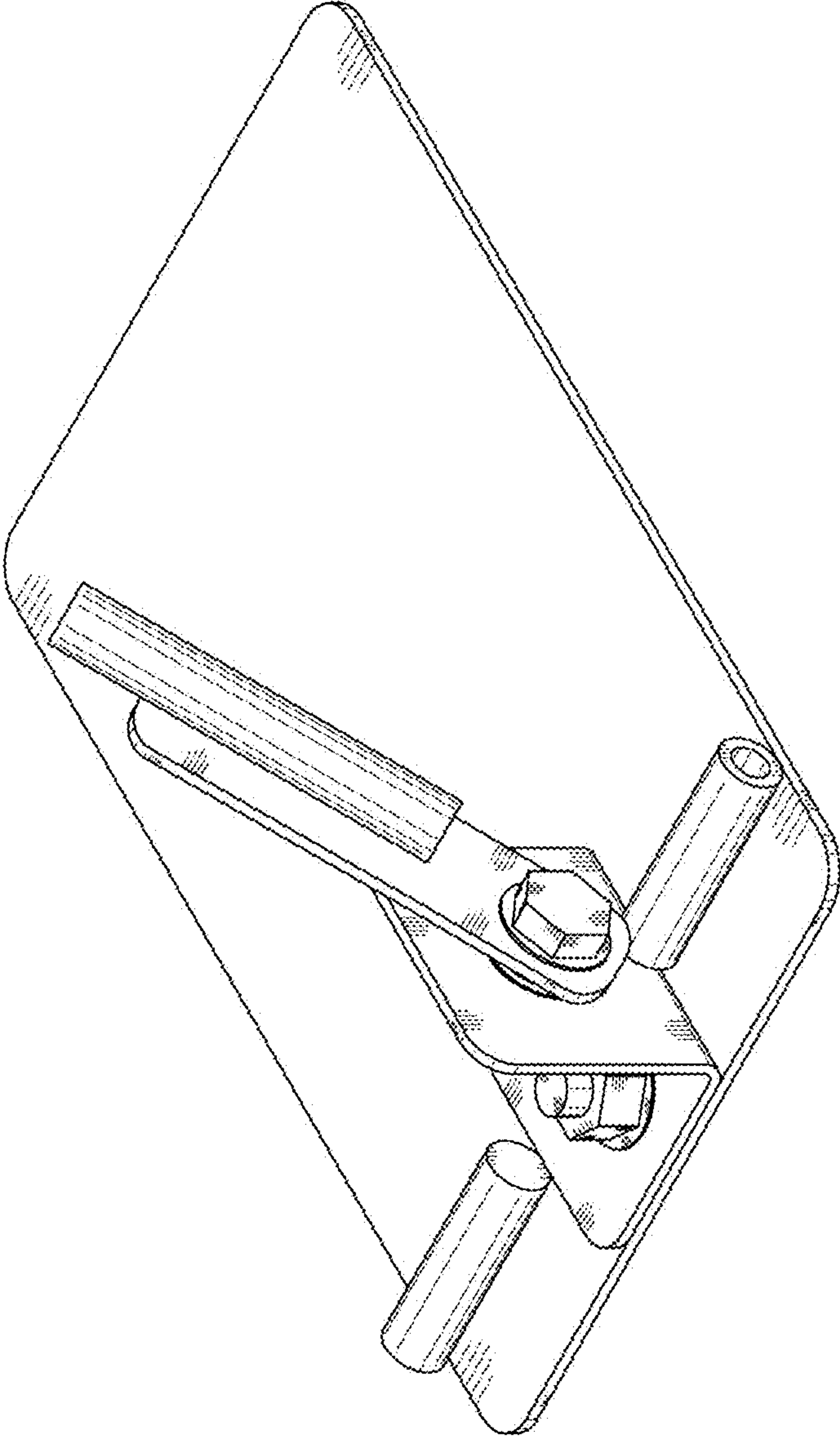
D353,179 S \* 12/1994 Pittman ..... D21/759

**1 Claim, 8 Drawing Sheets**

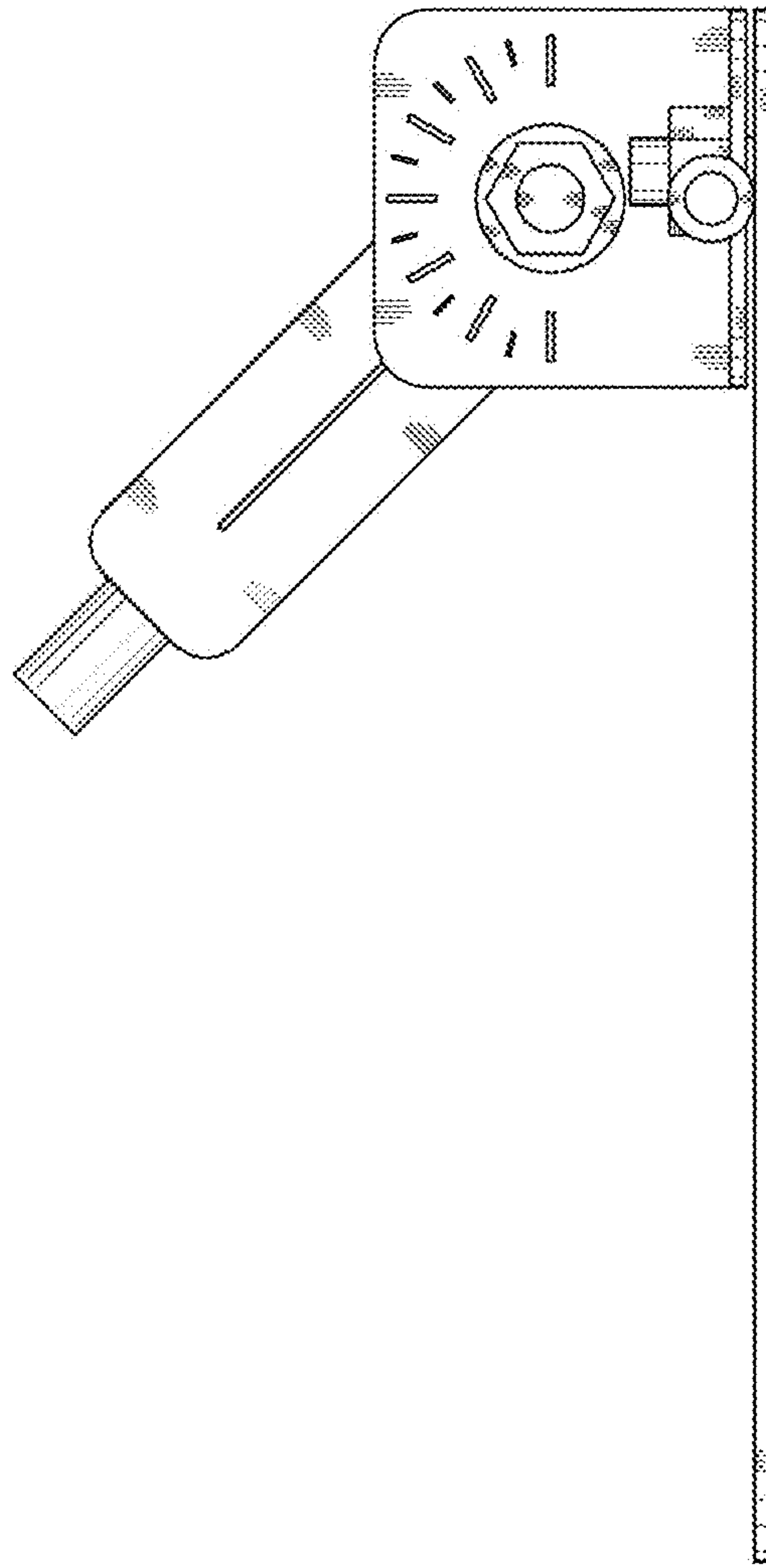




1.1

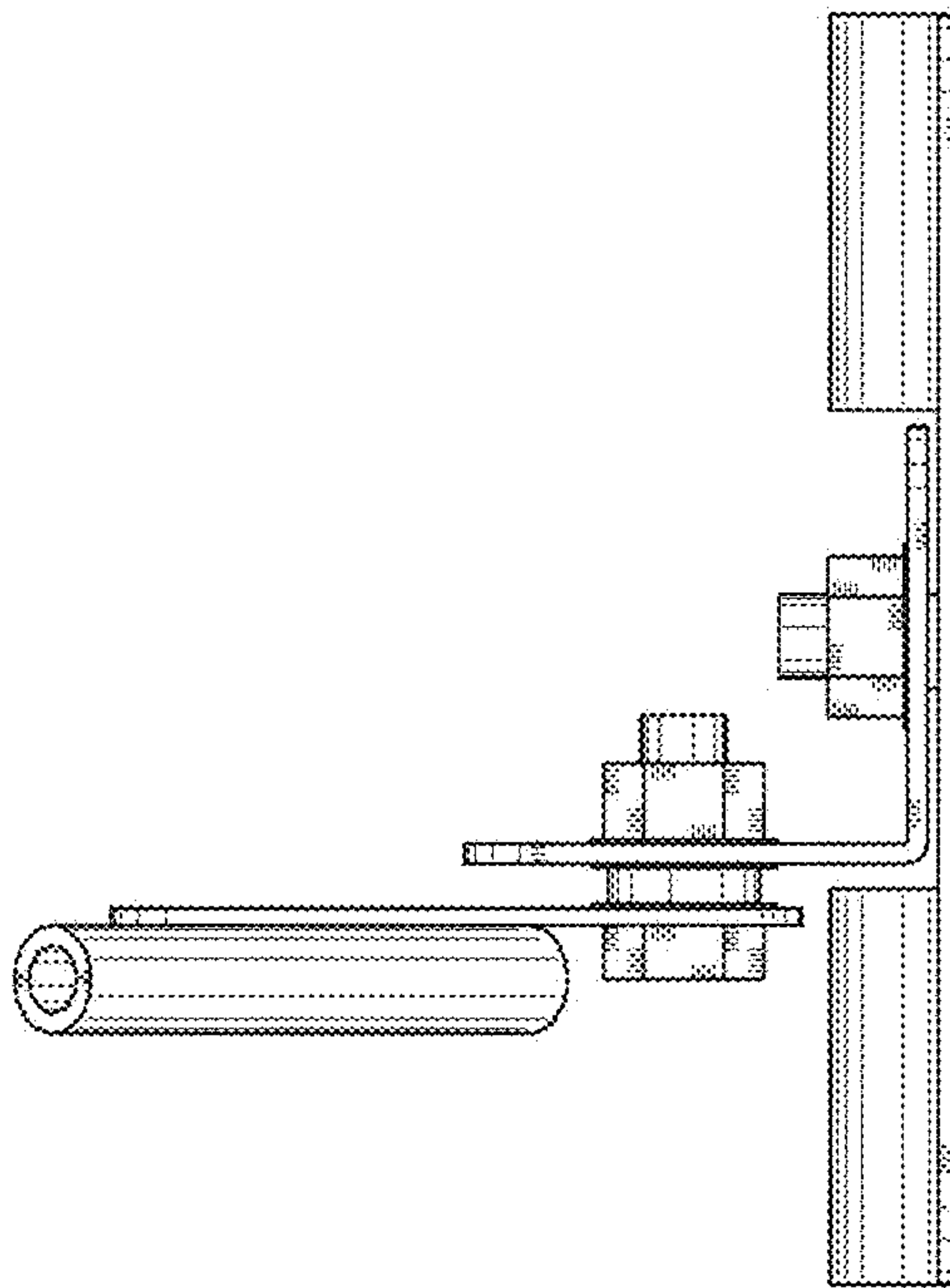


1.2

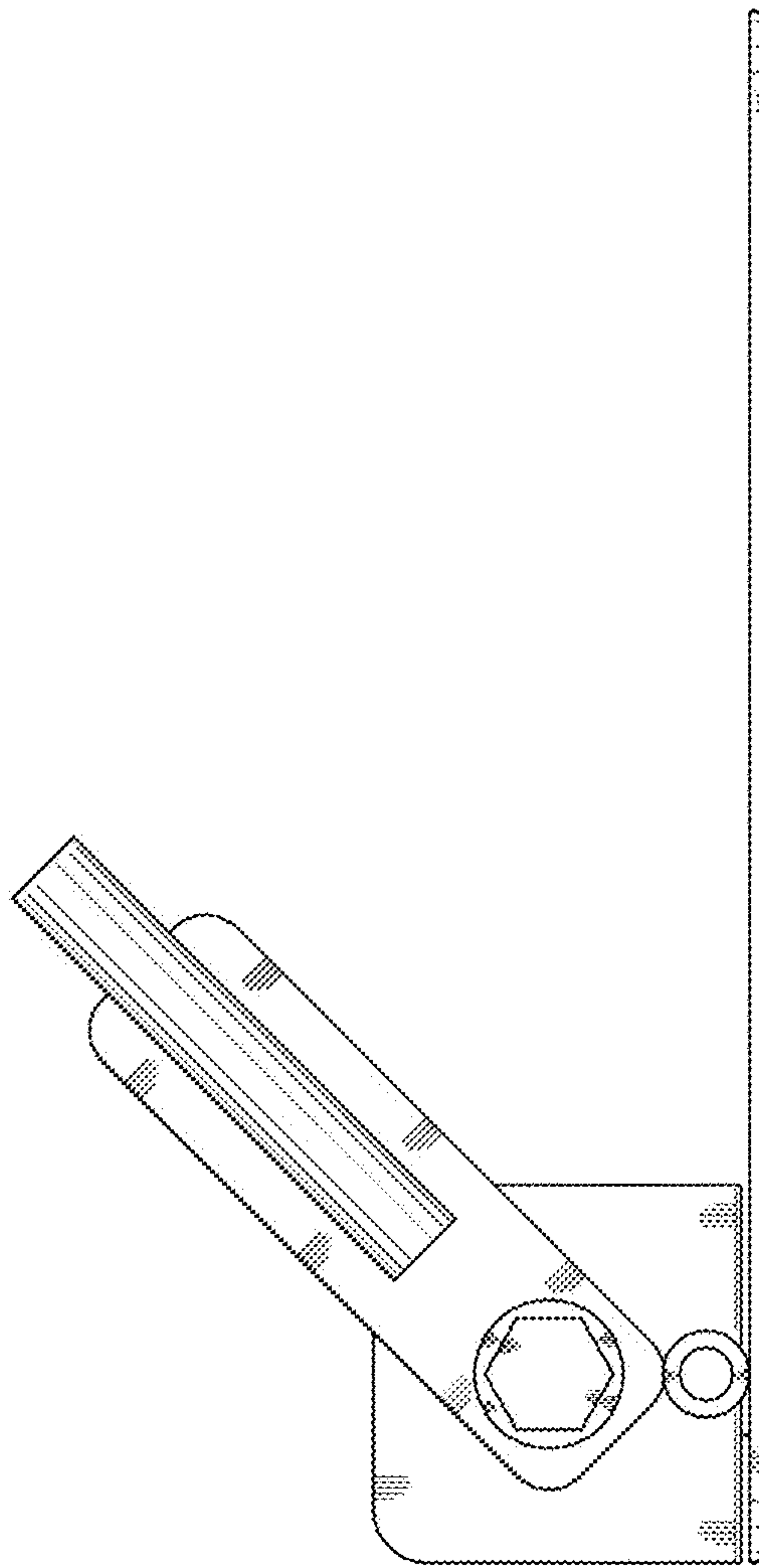


1.3

1.4



1.5



1.6

