



US00D963777S

(12) **United States Design Patent**
Christiansen et al.

(10) **Patent No.:** **US D963,777 S**
(45) **Date of Patent:** **** Sep. 13, 2022**

(54) **GOLF SWING TRAINING APPARATUS**

- (71) Applicant: **Black Diamond Creations, LLC**, St. George, UT (US)
- (72) Inventors: **Brett D. Christiansen**, St. George, UT (US); **Christopher B. Christiansen**, St. George, UT (US); **James B. Christiansen**, St. George, UT (US); **Clancy B. Christiansen**, St. George, UT (US); **Bryce B. Christiansen**, St. George, UT (US); **Susan G. Christiansen**, St. George, UT (US); **Candice S. Christiansen**, St. George, UT (US); **Cathy Christiansen**, St. George, UT (US); **Kami Christiansen**, St. George, UT (US); **Phillip Dietz**, St. George, UT (US)
- (73) Assignee: **Black Diamond Creations, LLC**, St. George, UT (US)

(**) Term: **15 Years**

(21) Appl. No.: **29/759,395**

(22) Filed: **Nov. 23, 2020**

(51) **LOC (13) Cl.** **21-02**

(52) **U.S. Cl.**
USPC **D21/791**

(58) **Field of Classification Search**
USPC D21/789, 791
CPC A63B 69/36-3605; A63B 69/3608; A63B 69/3658; A63B 69/3661-3667; A63B 69/3691; A63B 69/3623; A63B 69/3632; A63B 69/3638; A63B 15/005
See application file for complete search history.

(56) **References Cited**

U.S. PATENT DOCUMENTS

- 3,136,546 A * 6/1964 Connolly A63B 24/0062 446/421
- 3,743,297 A * 7/1973 Dennis A63B 15/00 482/109

(Continued)

OTHER PUBLICATIONS

Golf swing training apparatus google search; google.com; Apr. 29, 2022.*

(Continued)

Primary Examiner — Mitchell I. Siegel

(74) *Attorney, Agent, or Firm* — Gurr Brande & Spendlove, PLLC; Robert A. Gurr

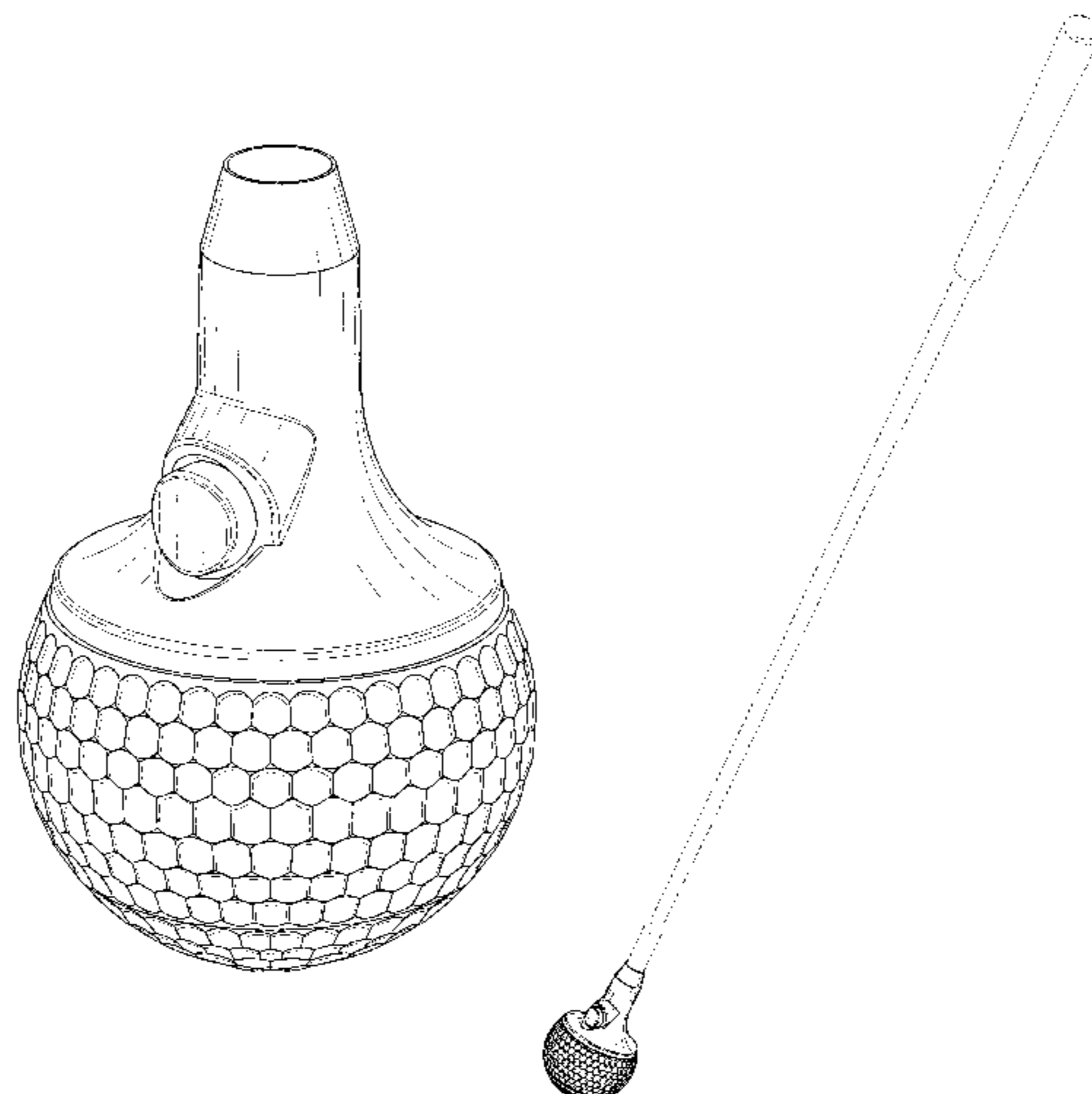
(57) **CLAIM**

The ornamental design for a golf swing training apparatus, as shown and described.

DESCRIPTION

FIG. 1 is a front, top perspective view of a golf swing training apparatus;
 FIG. 2 is a front elevation view of golf swing training apparatus;
 FIG. 3 is a rear elevation view of a golf swing training apparatus;
 FIG. 4 is a left, side elevation view of a golf swing training apparatus;
 FIG. 5 is a right, side elevation view of a golf swing training apparatus;
 FIG. 6 is a top plan view of a golf swing training apparatus;
 FIG. 7 is a bottom plan view of a golf swing training apparatus; and,
 FIG. 8 is a reduced perspective view of a golf swing training apparatus be shown in use.
 The broken lines shown in FIGS. 6 and 7 illustrating portions of the golf swing training apparatus forms no part of the claimed design. The broken line shaft shown in FIG. 8 forms no part of the claimed design.

1 Claim, 8 Drawing Sheets



(56)

References Cited

U.S. PATENT DOCUMENTS

3,759,527 A * 9/1973 Witherspoon A63B 69/3632
473/330
D237,515 S * 11/1975 Thier D21/680
4,602,788 A * 7/1986 Wendt A63B 15/00
482/109
4,664,388 A * 5/1987 Huber A63B 67/20
473/138
D316,888 S * 5/1991 Foresi D21/791
D326,493 S * 5/1992 Perry D21/791
D329,268 S * 9/1992 Perry D21/791
D405,859 S * 2/1999 Thompson D21/791
D426,607 S * 6/2000 Wurster D21/791
D428,461 S * 7/2000 Koszalinski D21/791
D432,613 S * 10/2000 Lewallen, Jr. D21/791
D457,929 S * 5/2002 Ciesar D21/725
D490,492 S * 5/2004 Nemeckay D21/791
6,955,610 B1 * 10/2005 Czaja A63B 15/005
473/226
7,001,283 B2 * 2/2006 Jeong A63B 60/04
473/219

D603,924 S * 11/2009 Troutman D21/791
8,414,412 B2 * 4/2013 Kim A63B 69/3623
473/223
8,540,584 B1 * 9/2013 Sorenson A63B 69/0002
473/219
D769,390 S * 10/2016 Wang D21/791
D808,483 S * 1/2018 Wang D21/791
D808,484 S * 1/2018 Oyler D21/791
D821,519 S * 6/2018 Oyler D21/791
D844,728 S * 4/2019 Oyler D21/791
D868,914 S * 12/2019 Kivini D21/753
2004/0009826 A1 * 1/2004 Aisenberg A63B 69/3632
473/256
2015/0087439 A1 * 3/2015 Song A63B 60/02
473/335

OTHER PUBLICATIONS

Golf Training Aids Golf Swing Trainer; DHgate.com; Apr. 29, 2022.*
Golf Swing Trainer; sportsnet.com; Apr. 29, 2022.*

* cited by examiner

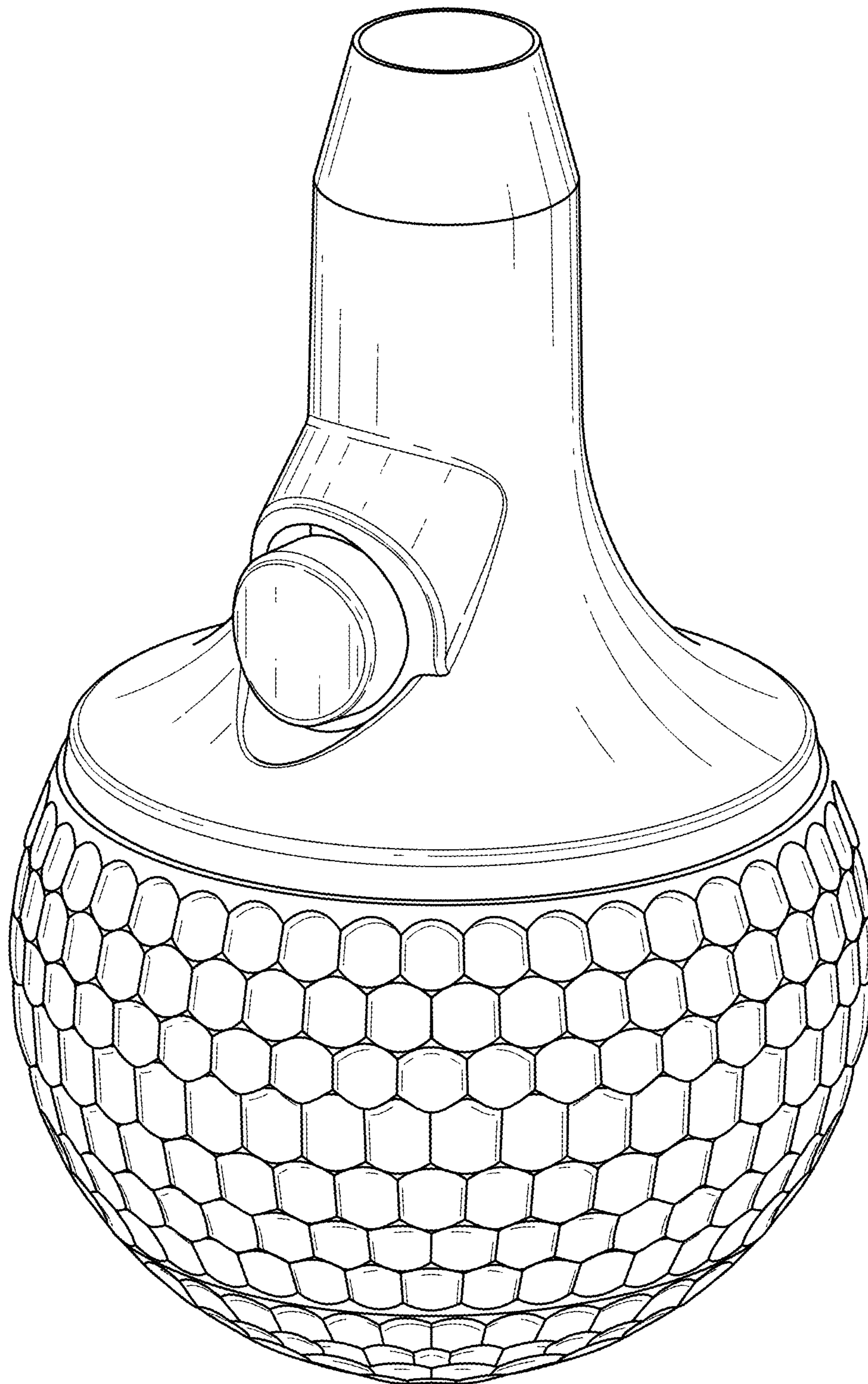


FIG. 1

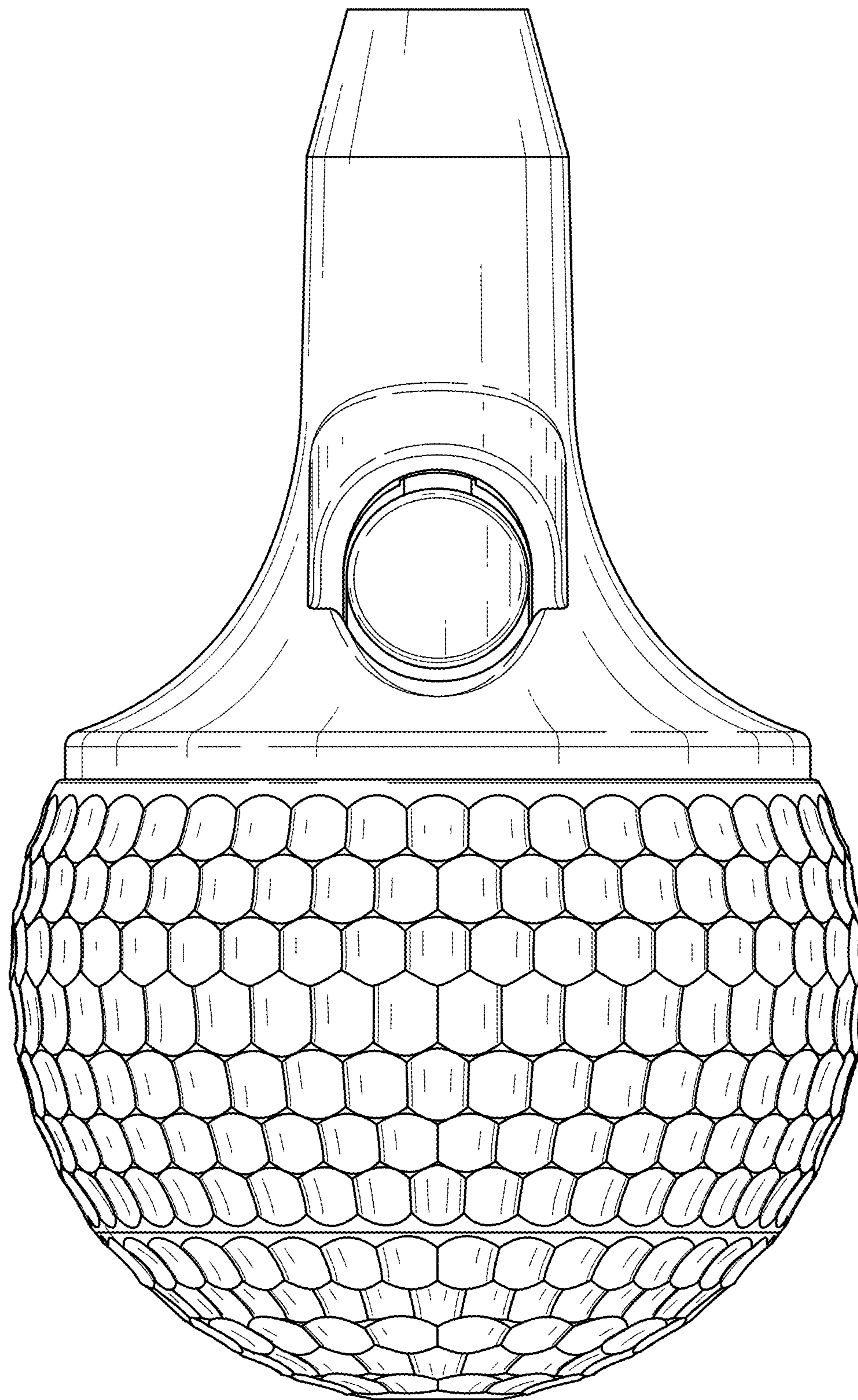


FIG. 2

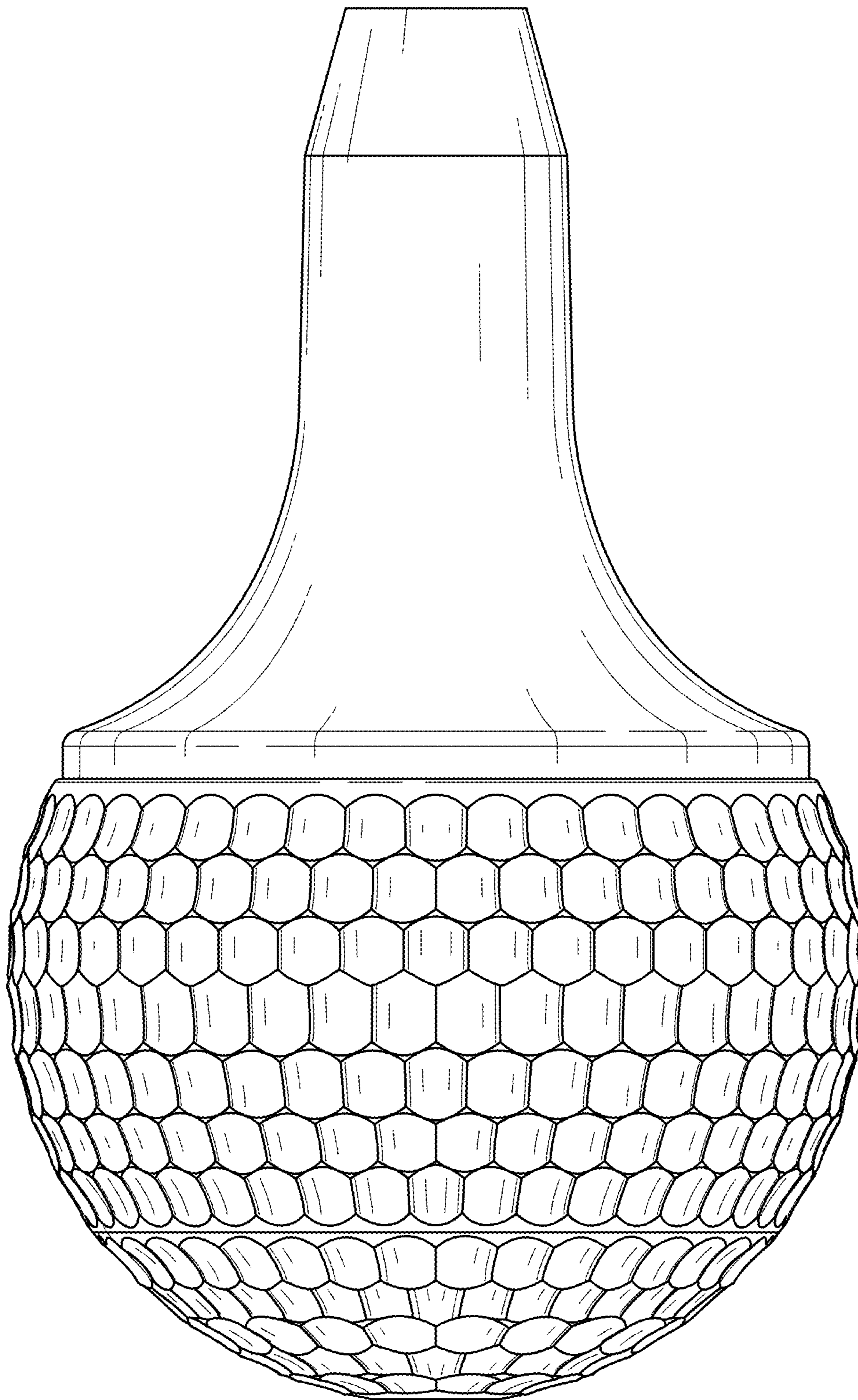


FIG. 3

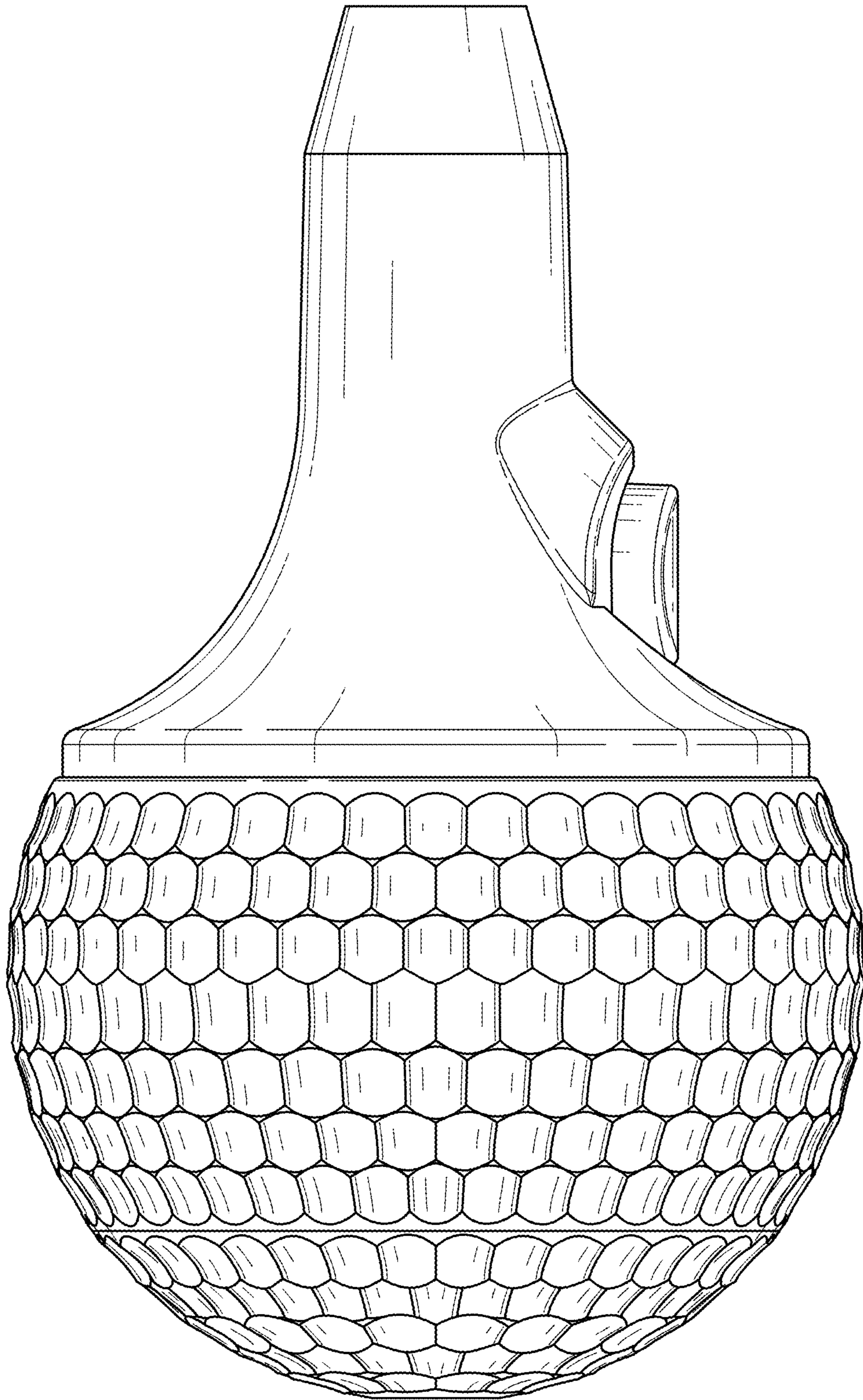


FIG. 4

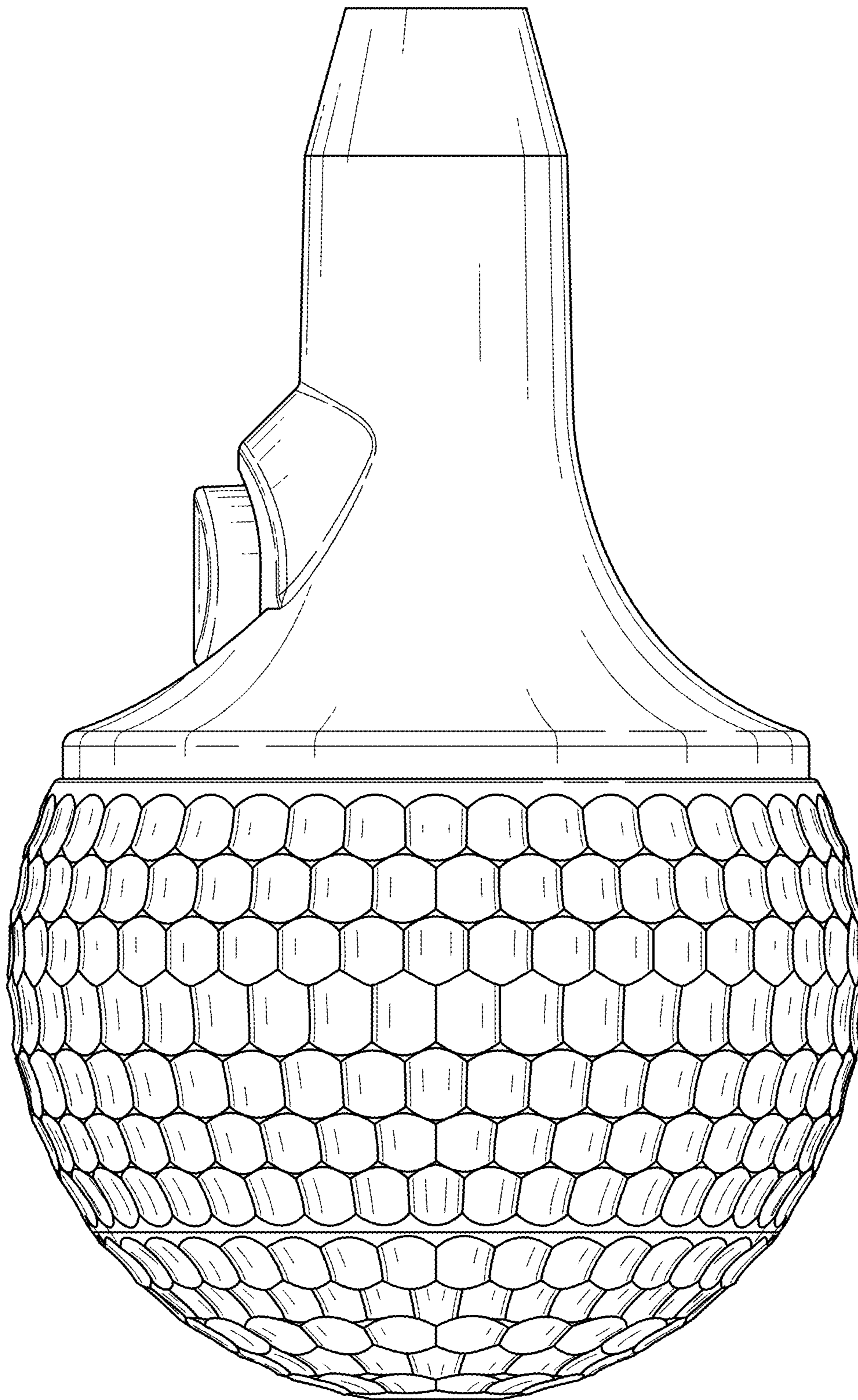


FIG. 5

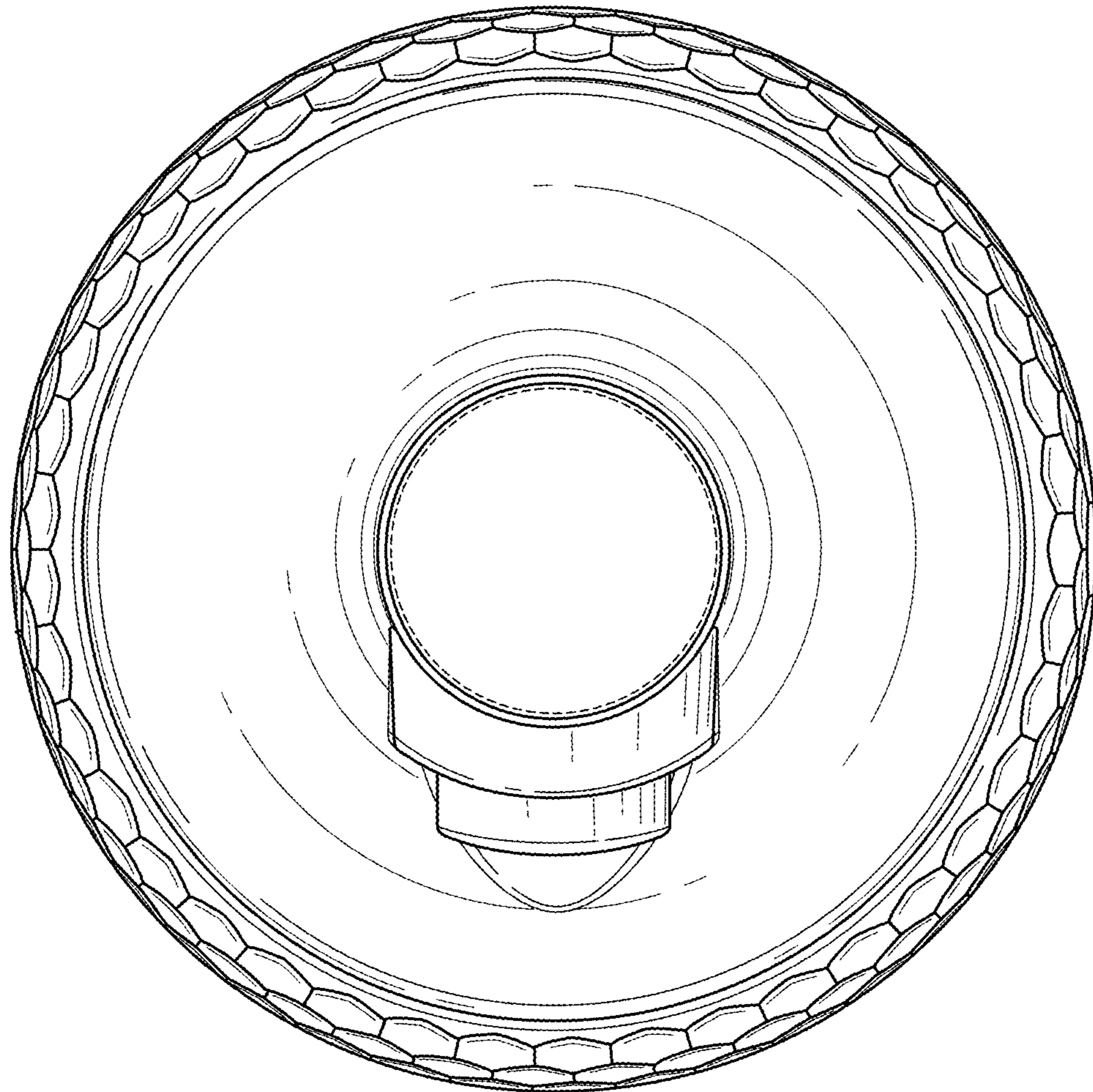


FIG. 6

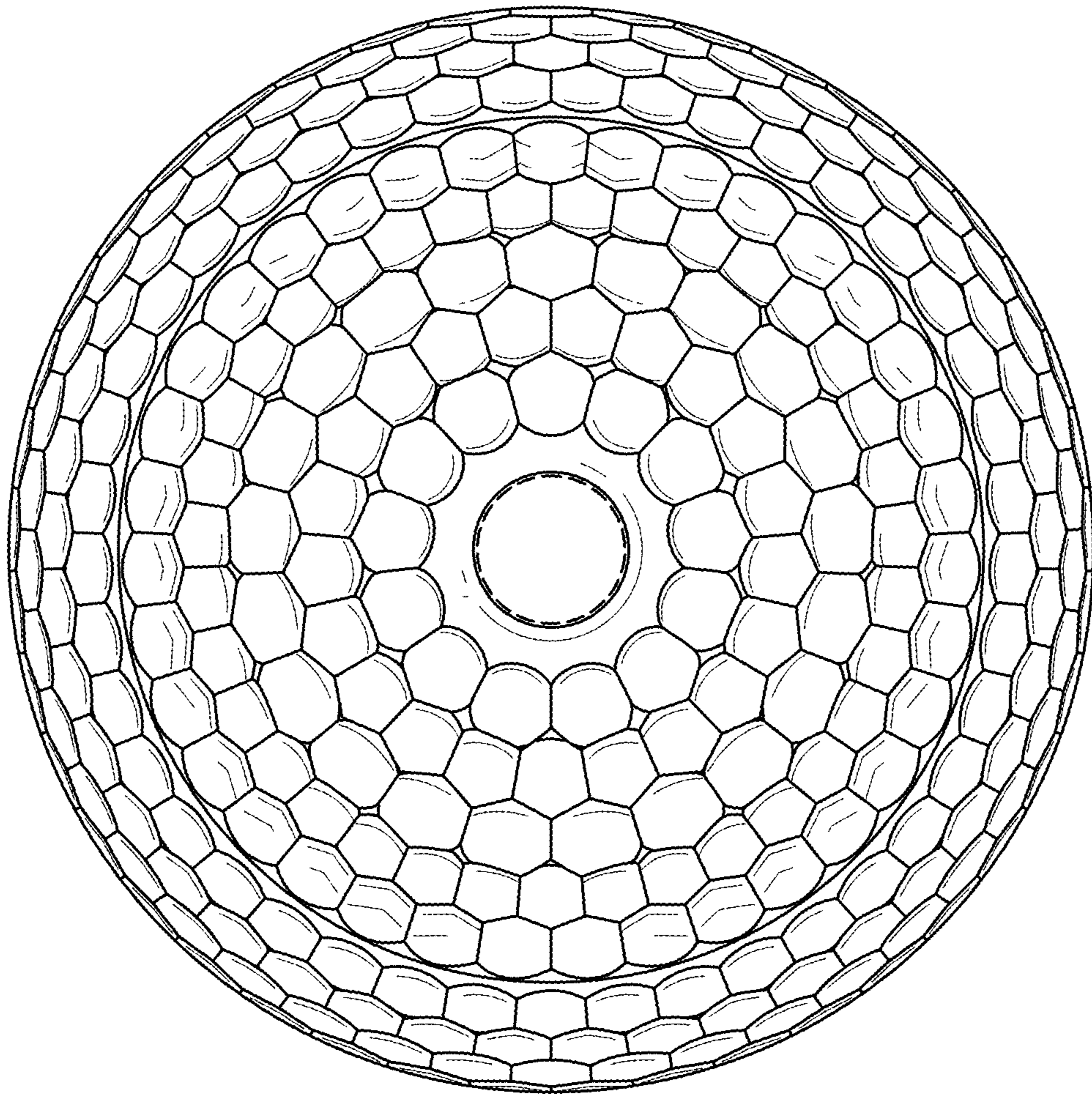


FIG. 7

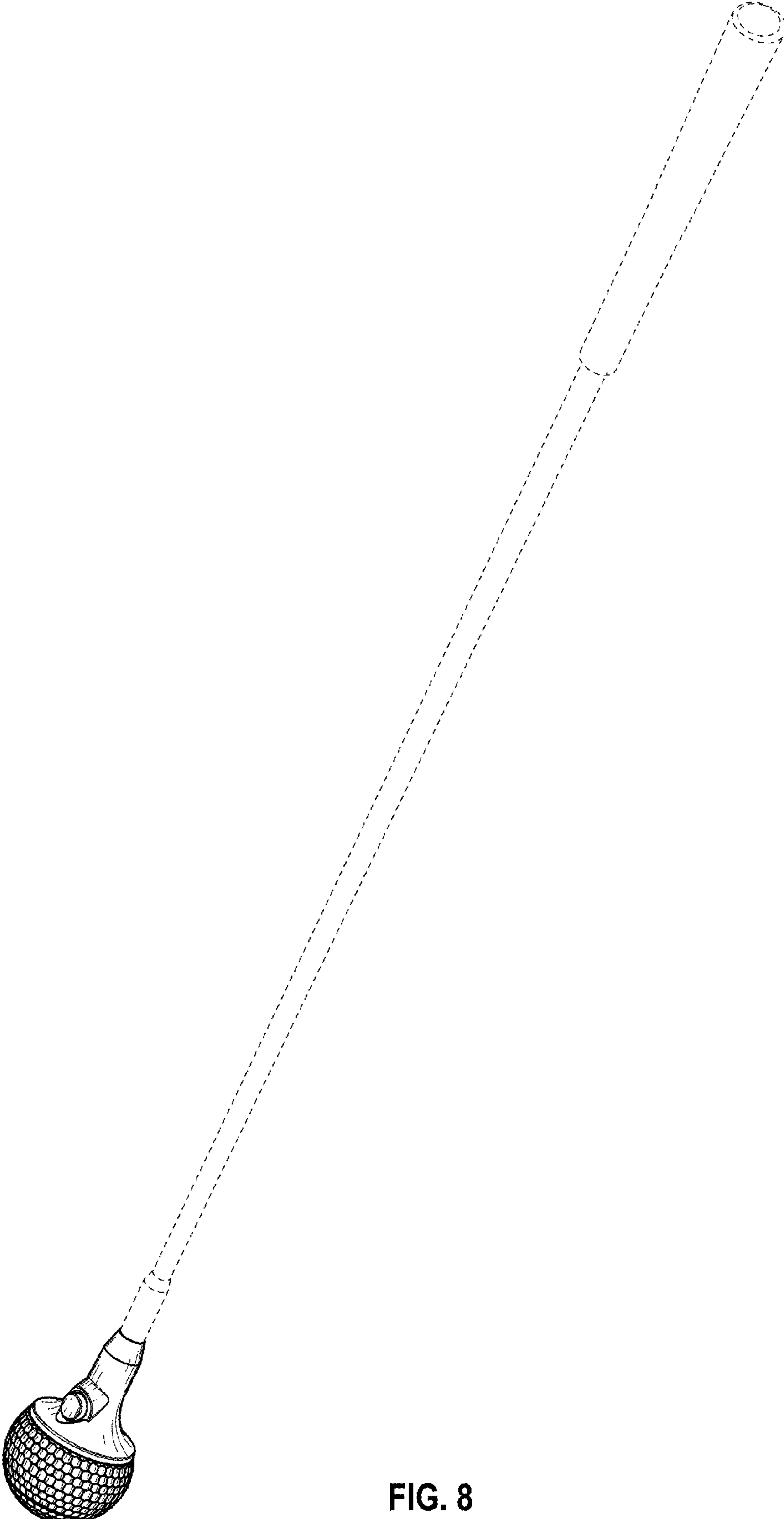


FIG. 8