



US00D963776S

(12) **United States Design Patent**
Whitfield

(10) **Patent No.:** **US D963,776 S**

(45) **Date of Patent:** **** Sep. 13, 2022**

(54) **MIRRORED GOLF PUTTING TRAINING AID**

(71) Applicant: **Richard A. Whitfield**, Stuart, FL (US)

(72) Inventor: **Richard A. Whitfield**, Stuart, FL (US)

(**) Term: **15 Years**

(21) Appl. No.: **29/748,832**

(22) Filed: **Sep. 1, 2020**

(51) **LOC (13) Cl.** **21-02**

(52) **U.S. Cl.**
USPC **D21/791**

(58) **Field of Classification Search**
USPC D21/789-792
CPC . A63B 69/3641; A63B 69/36; A63B 69/3621;
A63B 69/3608; A63B 69/3676; A63B
69/3661; A63B 69/3667; A63B 69/3697;
A63B 57/40
See application file for complete search history.

D641,448 S *	7/2011	Sessions	D21/791
D670,348 S *	11/2012	Jacobson	D21/791
D672,001 S *	12/2012	Whitfield	D21/791
D692,512 S *	10/2013	Fanfelle	D21/791
D717,898 S *	11/2014	Pfaff	D21/791
D732,130 S *	6/2015	Covino	D21/791
9,089,757 B2 *	7/2015	O'Donovan	A63B 69/36
D859,555 S *	9/2019	Freund	A63B 69/3676
				D21/791
10,695,641 B2 *	6/2020	Procopis	A63B 69/3621
D891,553 S *	7/2020	Clift	D21/791
D896,907 S *	9/2020	Clift	D21/791
D930,101 S *	9/2021	Woodhouse	D21/791
D943,696 S *	2/2022	Coughlan	D21/791

* cited by examiner

Primary Examiner — Mitchell I. Siegel
(74) *Attorney, Agent, or Firm* — McHale & Slavin, P.A.

(57) **CLAIM**

The ornamental design for a mirrored golf putting training aid, as shown and described.

(56) **References Cited**

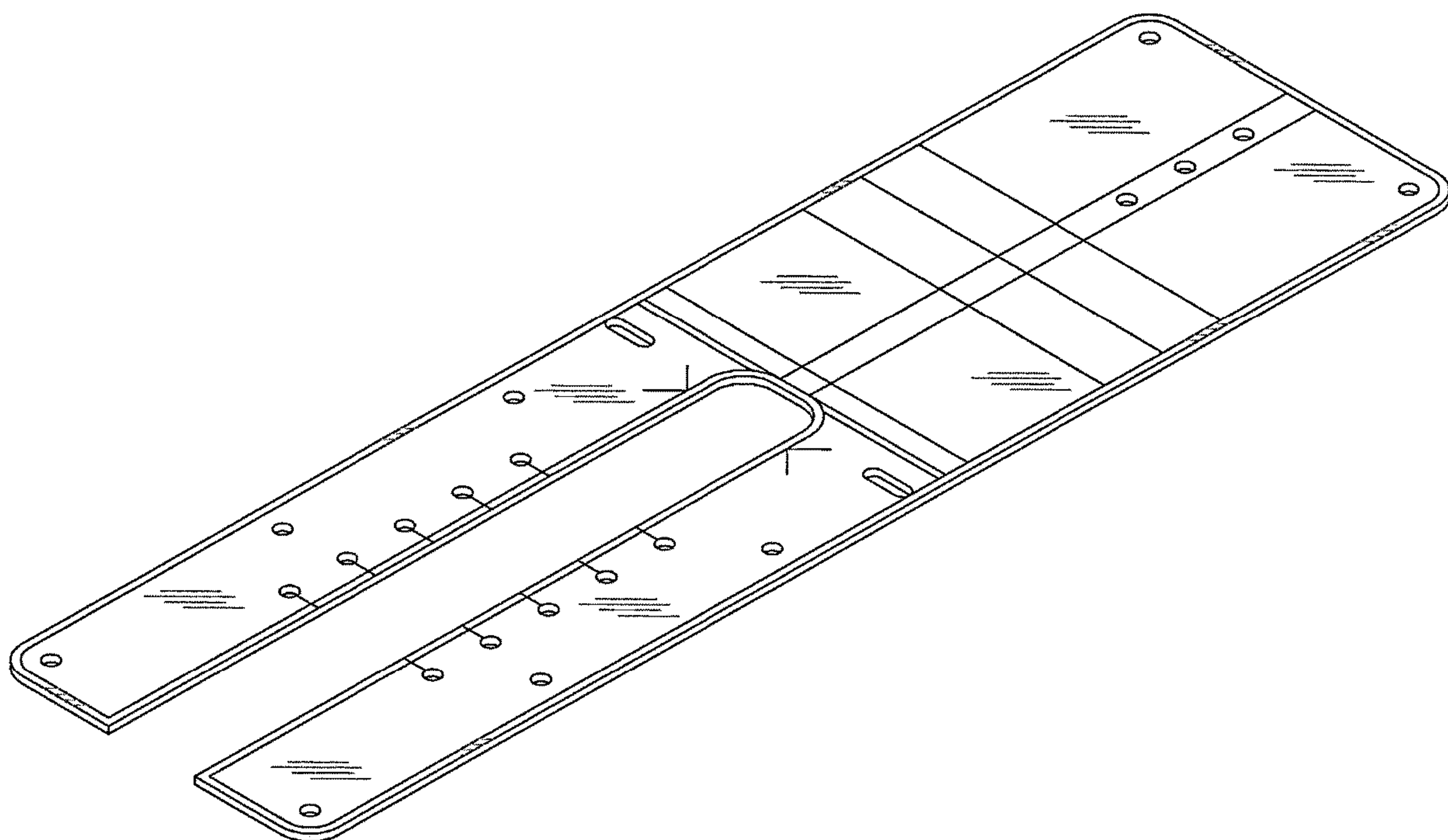
U.S. PATENT DOCUMENTS

D353,646 S *	12/1994	Arima	D21/791
5,443,265 A *	8/1995	Wheeler	A63B 69/3676
				473/257
6,019,685 A *	2/2000	Fonseca	A63B 69/3676
				473/267
D436,639 S *	1/2001	Haliyo	D21/791
D460,139 S *	7/2002	Bradbury	D21/792
6,840,870 B1 *	1/2005	Froggatte	A63B 24/0003
				473/265
D508,547 S *	8/2005	Llewellyn	D21/791
D632,750 S *	2/2011	Callowhill	D21/792

DESCRIPTION

FIG. 1 is a front perspective view of a mirrored golf putting training aid of the instant invention;
FIG. 2 is a rear perspective view thereof;
FIG. 3 is a right side view thereof;
FIG. 4 is a left side view thereof;
FIG. 5 is a top plan view thereof;
FIG. 6 is a bottom plan view thereof;
FIG. 7 is a front end view thereof; and,
FIG. 8 is a rear end view thereof.

1 Claim, 6 Drawing Sheets



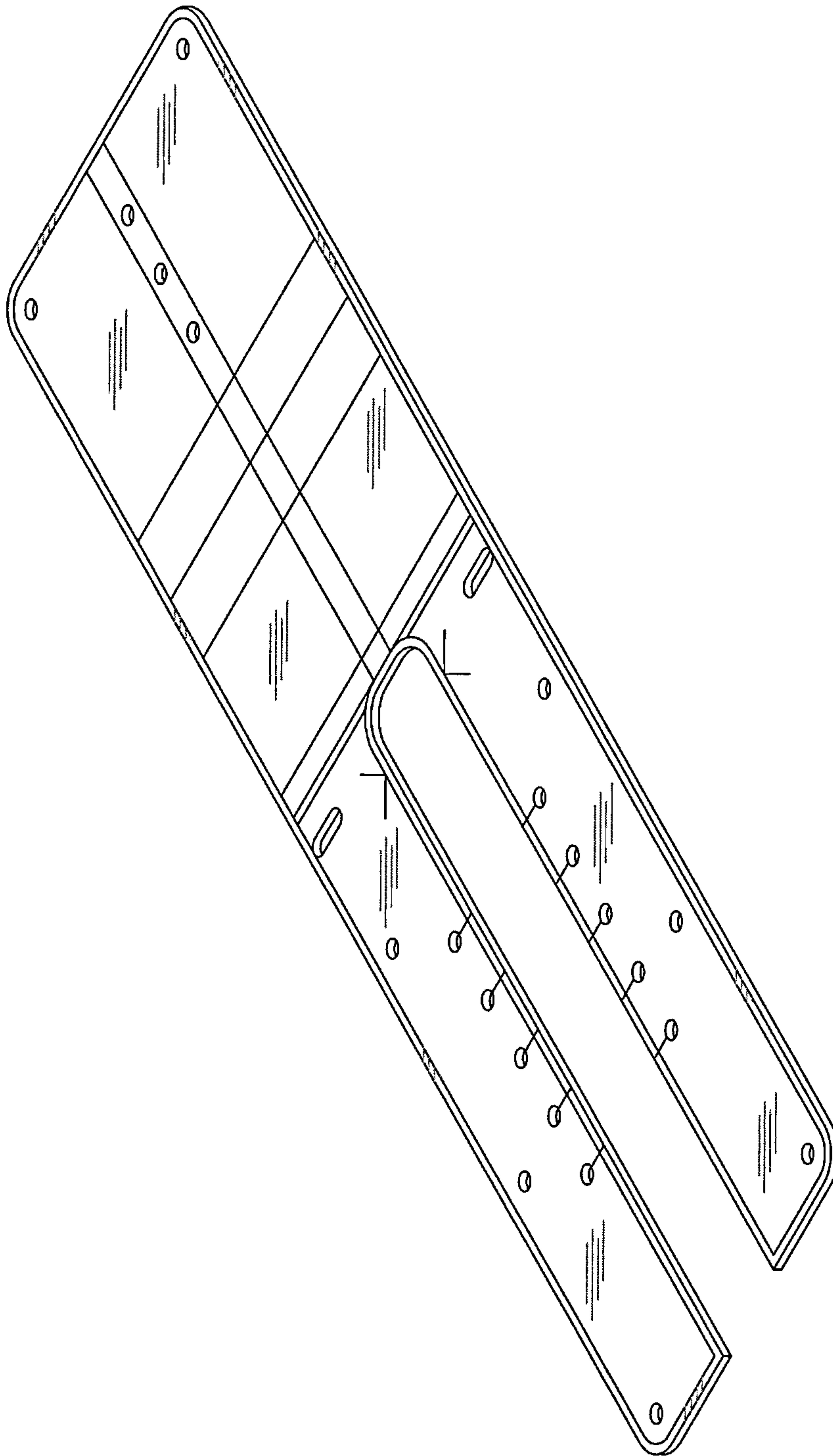


Fig. 1

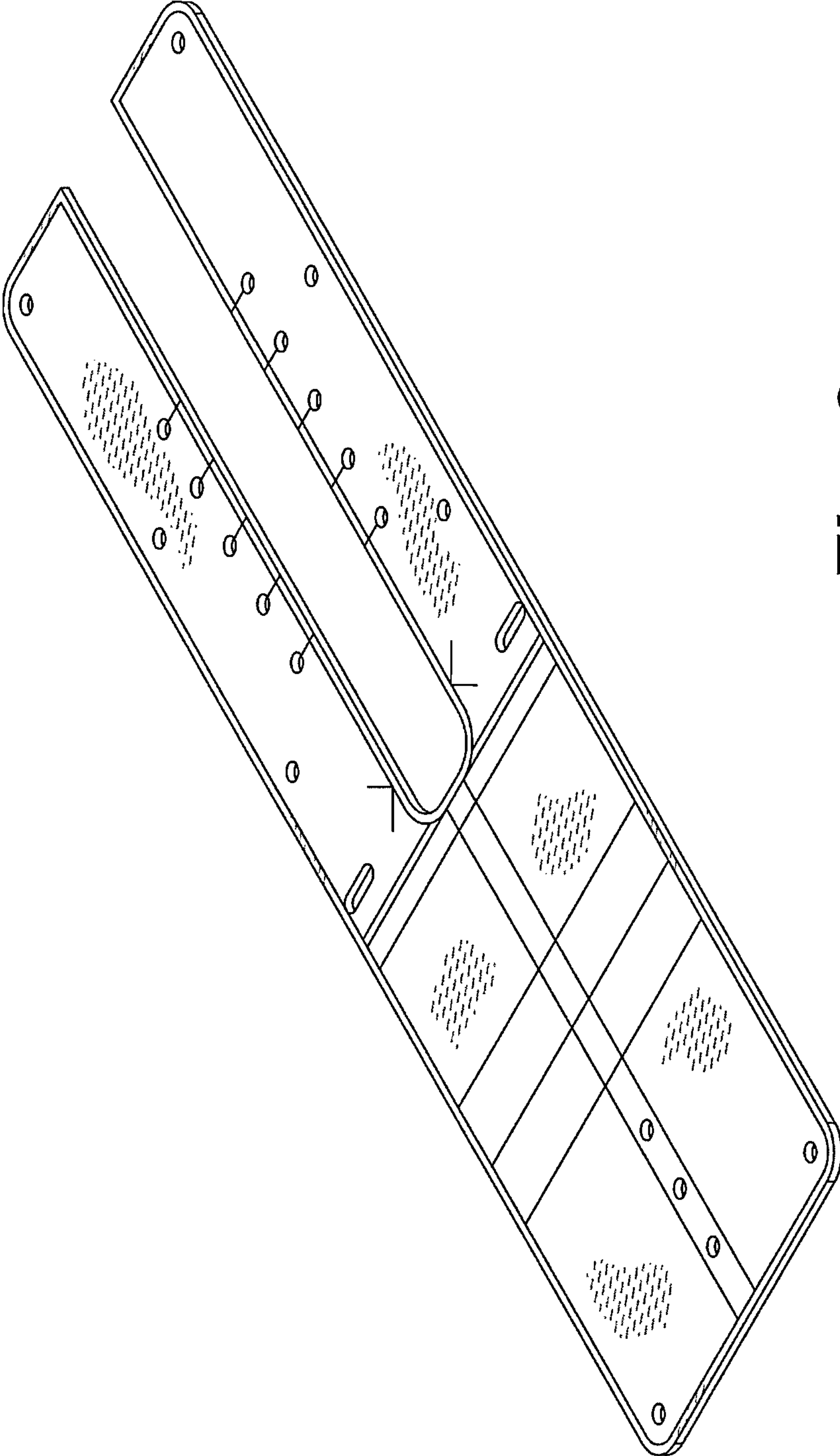


Fig. 2



Fig. 3



Fig. 4

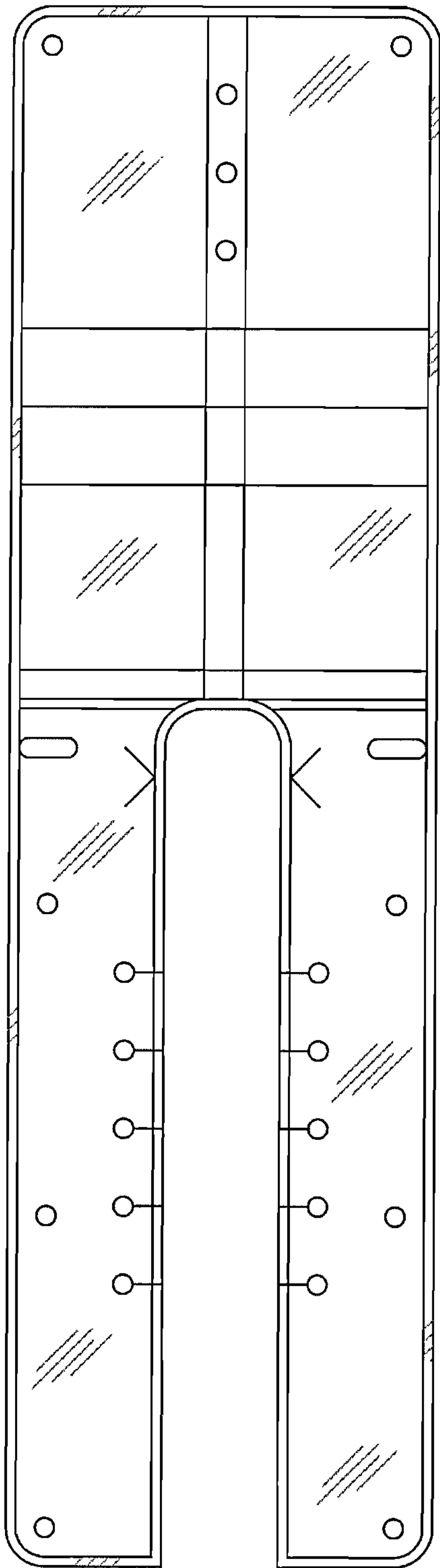


Fig. 5

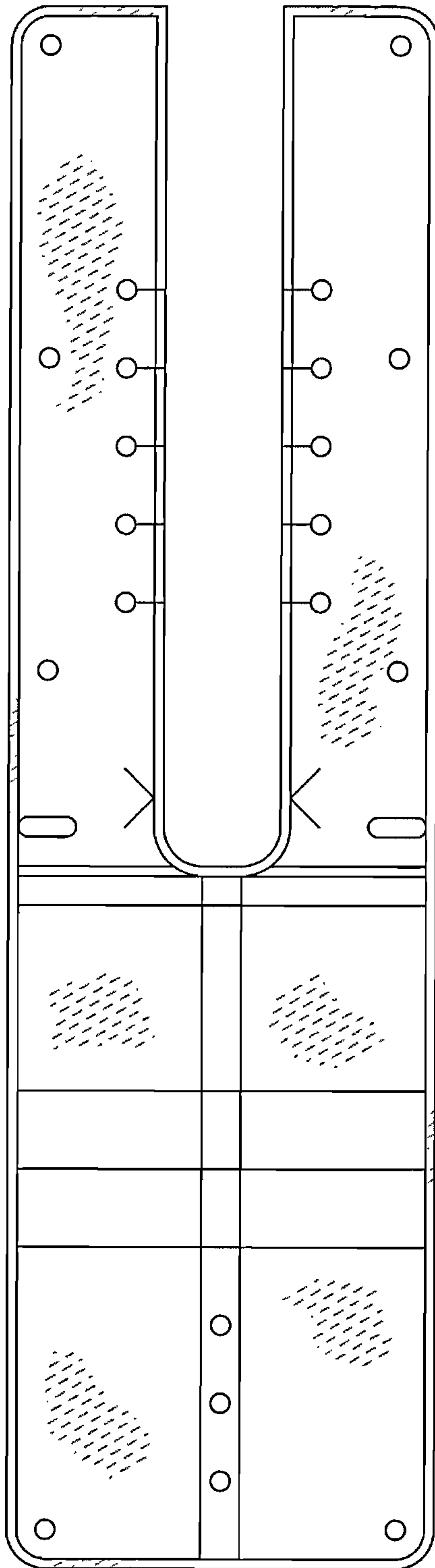


Fig. 6



Fig. 7



Fig. 8