



US00D963775S

(12) **United States Design Patent**  
**Parsons et al.**

(10) **Patent No.:** **US D963,775 S**  
(45) **Date of Patent:** **\*\* Sep. 13, 2022**

(54) **GOLF CLUB HEAD**

- (71) Applicant: **PARSONS XTREME GOLF, LLC**,  
Scottsdale, AZ (US)
- (72) Inventors: **Robert R. Parsons**, Scottsdale, AZ  
(US); **Bradley D. Schweigert**, Cave  
Creek, AZ (US); **Michael R. Nicolette**,  
Scottsdale, AZ (US)
- (73) Assignee: **PARSONS XTREME GOLF, LLC**,  
Scottsdale, AZ (US)
- (\*\*) Term: **15 Years**
- (21) Appl. No.: **29/782,427**
- (22) Filed: **May 6, 2021**

**Related U.S. Application Data**

- (60) Division of application No. 29/703,091, filed on Aug.  
23, 2019, now Pat. No. Des. 921,786, which is a  
(Continued)

- (51) **LOC (13) Cl.** ..... **21-02**
- (52) **U.S. Cl.**  
USPC ..... **D21/759**
- (58) **Field of Classification Search**  
USPC ..... D21/733, 752, 759  
(Continued)

(56) **References Cited**

**U.S. PATENT DOCUMENTS**

- 1,133,129 A     3/1915 Govan
- 1,269,745 A     6/1918 Robertson
- (Continued)

**OTHER PUBLICATIONS**

Kozuchowski, Zak, "Callaway Mack Daddy 2 PM Grind Wedges"  
(<http://www.golfwrx.com/276203/callaway-mack-daddy-2-pm-grind-wedges/>), www.golfwrx.com, GolfWRX Holdings, LLC, published  
Jan. 21, 2015.

(Continued)

*Primary Examiner* — Mitchell I. Siegel

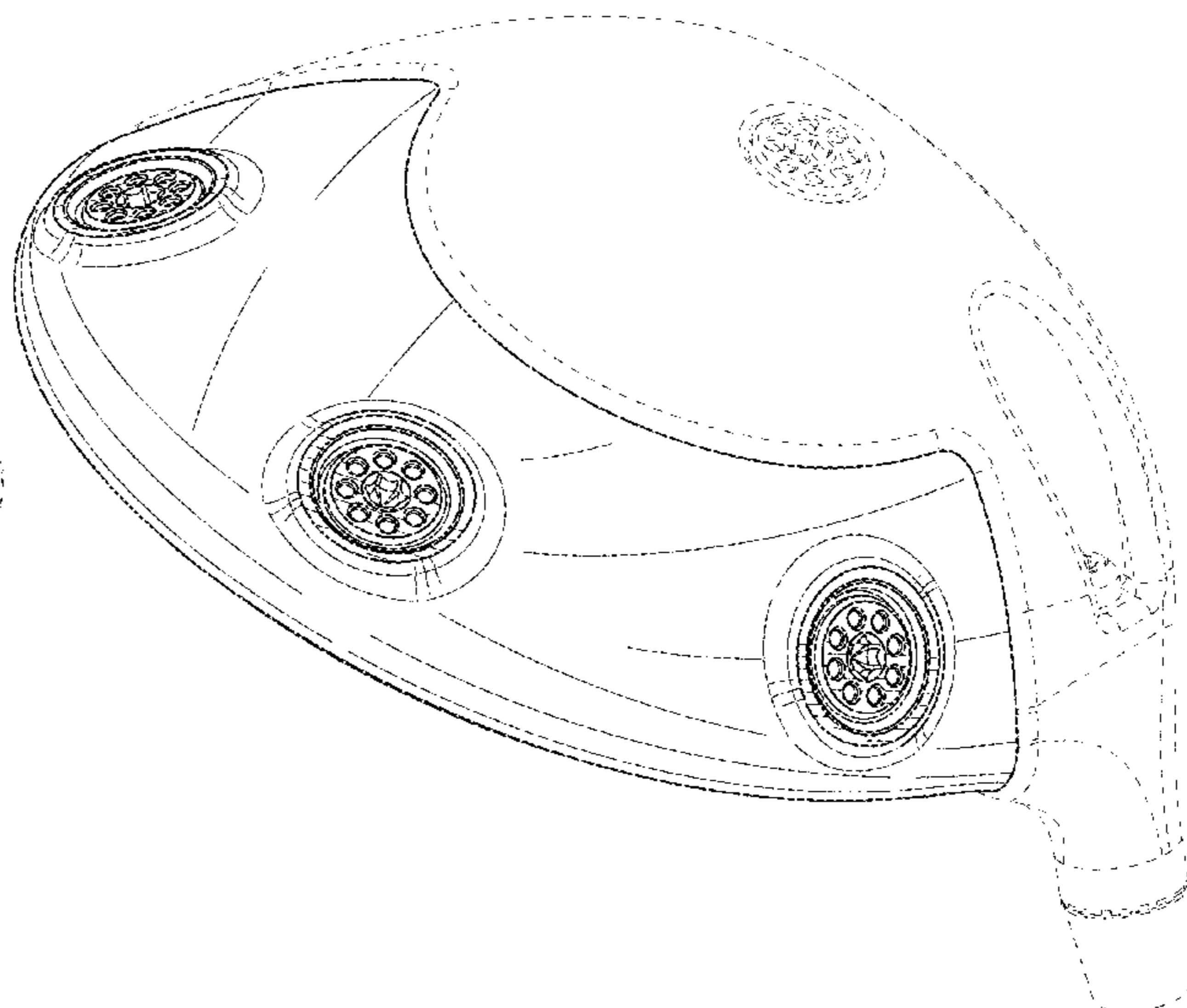
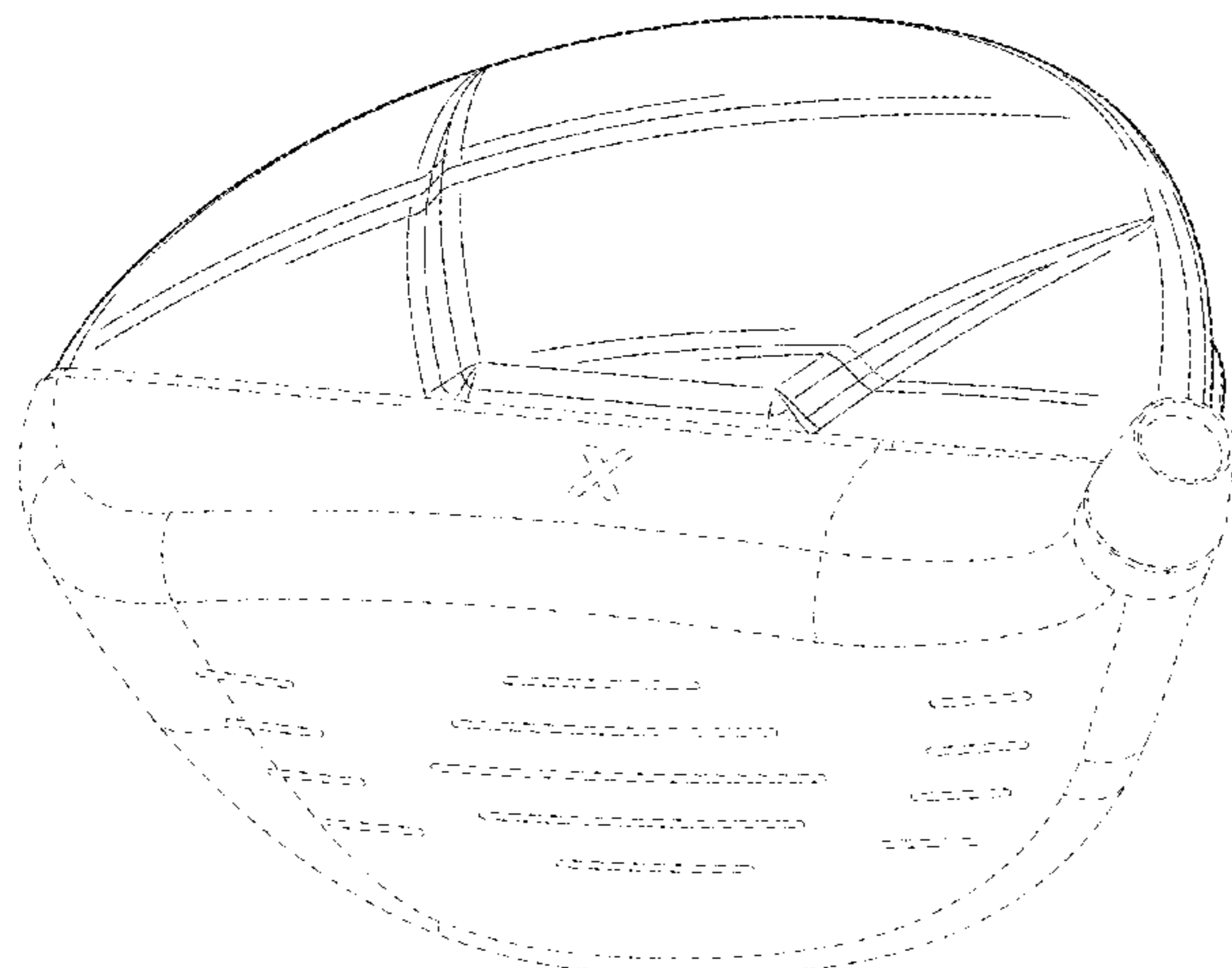
(57) **CLAIM**

The ornamental design for a golf club head, as shown and described.

**DESCRIPTION**

FIG. 1 is a top perspective view of a golf club head according to a first embodiment;  
 FIG. 2 is a bottom perspective view of the golf club head of FIG. 1;  
 FIG. 3 is a front elevational view of the golf club head of FIG. 1;  
 FIG. 4 is a rear elevational view of the golf club head of FIG. 1;  
 FIG. 5 is a top view of the golf club head of FIG. 1;  
 FIG. 6 is a bottom view of the golf club head of FIG. 1;  
 FIG. 7 is a left side view of the golf club head of FIG. 1;  
 FIG. 8 is a right side view of the golf club head of FIG. 1;  
 FIG. 9 is a top perspective view of a golf club head according to a second embodiment;  
 FIG. 10 is a bottom perspective view of the golf club head of FIG. 9;  
 FIG. 11 is a front elevational view of the golf club head of FIG. 9;  
 FIG. 12 is a rear elevational view of the golf club head of FIG. 9;  
 FIG. 13 is a top view of the golf club head of FIG. 9;  
 FIG. 14 is a bottom view of the golf club head of FIG. 9;  
 FIG. 15 is a left side view of the golf club head of FIG. 9;  
 and,  
 FIG. 16 is a right side view of the golf club head of FIG. 9.  
 The broken lines shown on the drawings form no part of the claimed design.

**1 Claim, 14 Drawing Sheets**



**Related U.S. Application Data**

continuation-in-part of application No. 29/683,496,  
filed on Mar. 13, 2019, now abandoned.

- (58) **Field of Classification Search**  
CPC ..... A63B 53/00; A63B 53/04; A63B 53/0466;  
A63B 2053/002; A63B 2053/0445; A63B  
2053/0433; A63B 2053/0491; A63B  
2053/0437; A63B 60/00; A63B 60/46  
See application file for complete search history.

- (56) **References Cited**

U.S. PATENT DOCUMENTS

1,306,029 A 6/1919 Robertson  
D55,867 S 7/1920 Matters  
1,509,429 A \* 9/1924 Hillerich ..... A63B 53/0466  
473/344  
1,534,600 A \* 4/1925 Mattern ..... A63B 60/02  
473/337  
1,538,312 A \* 5/1925 Beat ..... A63B 53/08  
473/335  
1,543,691 A \* 6/1925 Beat ..... A63B 53/08  
473/342  
1,774,590 A \* 9/1930 Buhrke ..... A63B 53/04  
473/328  
D94,549 S \* 2/1935 Jansky ..... D21/752  
D94,550 S \* 2/1935 Jansky ..... D21/752  
D138,437 S \* 8/1944 Link ..... D21/752  
D138,438 S \* 8/1944 Link ..... D21/752  
D138,439 S \* 8/1944 Link ..... D21/752  
D138,441 S \* 8/1944 Link ..... D21/752  
D138,442 S \* 8/1944 Link ..... D21/752  
D164,469 S 9/1951 Behrendt  
3,020,048 A 2/1962 Carroll  
D203,936 S 3/1966 Long  
D215,101 S 9/1969 Sabat  
3,556,553 A 1/1971 Kolbe  
3,652,094 A 3/1972 Glover  
D229,431 S \* 11/1973 Baker ..... D21/752  
D234,609 S \* 3/1975 Raymont ..... D21/752  
D234,610 S \* 3/1975 Raymont ..... D21/752  
D234,963 S 4/1975 Hirata  
D239,550 S 4/1976 Timbrook  
D240,054 S 5/1976 Meissler  
D240,748 S 7/1976 Bock et al.  
D241,956 S \* 10/1976 Timbrook ..... D21/752  
4,085,934 A 4/1978 Churchward  
D253,778 S \* 12/1979 Madison ..... D21/752  
D261,167 S 10/1981 Swanson  
4,332,388 A 6/1982 Crow  
D285,954 S \* 9/1986 Hasegawa ..... D21/752  
D294,617 S 3/1988 Perkins  
4,754,977 A 7/1988 Sahn  
4,824,116 A 4/1989 Nagamoto et al.  
D307,783 S 5/1990 Iinuma  
D310,254 S \* 8/1990 Take ..... D21/752  
4,988,104 A 1/1991 Shiotani et al.  
D326,885 S 6/1992 Paul  
5,158,296 A 10/1992 Lee  
5,176,384 A 1/1993 Sata et al.  
5,213,328 A 5/1993 Long et al.  
5,213,329 A 5/1993 Okumoto et al.  
D336,672 S 6/1993 Gorman  
D336,935 S 6/1993 York et al.  
D338,935 S 8/1993 Antonious  
D344,561 S 2/1994 Gorman  
D351,883 S \* 10/1994 Solheim ..... D21/752  
D353,862 S 12/1994 Saito  
D357,520 S 4/1995 Helmstetter et al.  
5,419,560 A 5/1995 Bamber  
5,425,535 A 6/1995 Gee  
D361,358 S 8/1995 Simmons  
5,447,311 A 9/1995 Viollaz et al.  
5,451,056 A 9/1995 Manning  
D362,884 S 10/1995 Blough et al.

D362,885 S 10/1995 Blough et al.  
D362,887 S 10/1995 Blough et al.  
5,518,243 A \* 5/1996 Redman ..... A63B 60/00  
473/334  
D370,514 S 6/1996 Blough et al.  
D371,816 S 7/1996 Yoshioka  
5,540,437 A 7/1996 Bamber  
D378,111 S \* 2/1997 Parente ..... D21/752  
5,637,045 A 6/1997 Igarashi  
D384,120 S \* 9/1997 De La Cruz ..... D21/752  
5,669,830 A 9/1997 Bamber  
D389,541 S 1/1998 Huan-Chiang  
D395,476 S 6/1998 Pond et al.  
5,766,091 A 6/1998 Humphrey et al.  
5,766,092 A 6/1998 Mimeur et al.  
5,788,584 A \* 8/1998 Parente ..... A63B 60/00  
473/290  
D399,277 S 10/1998 Ezaki  
5,827,132 A 10/1998 Bamber  
D400,625 S 11/1998 Kubica et al.  
D400,627 S 11/1998 Kubica et al.  
D405,489 S 2/1999 Kubica et al.  
D405,492 S 2/1999 Kubica et al.  
D408,485 S 4/1999 Takahashi et al.  
5,899,821 A 5/1999 Hsu et al.  
5,935,016 A 8/1999 Antonious  
D414,535 S 9/1999 Mertens  
D421,080 S 2/2000 Chen  
D426,276 S 6/2000 Besnard et al.  
6,077,171 A 6/2000 Yoneyama  
D442,659 S 5/2001 Kubica et al.  
D443,008 S 5/2001 Kubica et al.  
D444,830 S 7/2001 Kubica et al.  
D445,862 S 7/2001 Ford  
6,290,609 B1 9/2001 Takeda  
D448,824 S 10/2001 Koizumi et al.  
D449,866 S 10/2001 Miller  
D457,211 S 5/2002 Bakke  
D469,833 S 2/2003 Roberts et al.  
D473,604 S 4/2003 Antonious  
D473,605 S 4/2003 Petersen et al.  
D475,107 S 5/2003 Madore  
D476,048 S 6/2003 Cleveland et al.  
D478,140 S 8/2003 Burrows  
D478,949 S 8/2003 DeLaCruz  
D481,087 S 10/2003 Antonious  
6,638,182 B2 10/2003 Kosmatka  
6,695,714 B1 2/2004 Bliss et al.  
6,702,693 B2 3/2004 Bamber  
6,773,360 B2 8/2004 Willett et al.  
6,780,123 B2 8/2004 Hasebe  
D497,963 S 11/2004 Toulon et al.  
6,811,496 B2 11/2004 Wahl et al.  
D499,779 S 12/2004 Mahaffey et al.  
D502,520 S \* 3/2005 Dogan ..... D21/759  
D502,975 S 3/2005 Schweigert et al.  
D503,204 S 3/2005 Nicolette et al.  
D507,320 S 7/2005 Roberts et al.  
D508,545 S 8/2005 Roberts et al.  
D508,969 S 8/2005 Hasebe  
6,923,733 B2 8/2005 Chen  
6,939,247 B1 9/2005 Schweigert et al.  
D513,051 S 12/2005 Barez et al.  
D514,179 S 1/2006 Chen et al.  
D514,183 S 1/2006 Schweigert et al.  
D514,185 S 1/2006 Barez et al.  
D515,642 S 2/2006 Antonious  
D516,650 S 3/2006 Wolfe et al.  
D518,863 S 4/2006 Motoyoshi et al.  
D520,585 S 5/2006 Hasebe  
D520,586 S 5/2006 Bingman  
D522,077 S 5/2006 Schweigert et al.  
D522,601 S 6/2006 Schweigert et al.  
D523,104 S 6/2006 Hasebe  
D523,498 S 6/2006 Chen et al.  
D523,501 S 6/2006 Nicolette et al.  
D523,917 S 6/2006 Wolfe et al.  
D524,889 S 7/2006 Yu et al.  
D526,372 S 8/2006 Kohno

(56)

References Cited

U.S. PATENT DOCUMENTS

D526,694 S	8/2006	Schweigert et al.	7,658,686 B2	2/2010	Soracco
7,121,956 B2	10/2006	Lo	D612,438 S	3/2010	Carlyle et al.
7,128,663 B2	10/2006	Bamber	D612,439 S	3/2010	Carlyle et al.
D534,595 S	1/2007	Hasebe	7,713,142 B2	5/2010	Hoffman et al.
D534,599 S	1/2007	Barez et al.	7,717,804 B2	5/2010	Beach et al.
7,156,751 B2	1/2007	Wahl et al.	7,717,805 B2	5/2010	Beach et al.
7,166,040 B2	1/2007	Hoffman et al.	D617,406 S	6/2010	Carlyle et al.
D536,401 S *	2/2007	Kawami ..... D21/759	D618,293 S	6/2010	Foster et al.
D536,402 S	2/2007	Kawami	D618,746 S	6/2010	Jertson et al.
D536,403 S	2/2007	Kawami	D618,747 S	6/2010	Schweigert et al.
D537,495 S	2/2007	Schweigert et al.	D618,753 S	6/2010	Jertson et al.
7,182,698 B2	2/2007	Tseng	D618,754 S	6/2010	Schweigert et al.
D538,363 S	3/2007	Schweigert et al.	7,744,484 B1	6/2010	Chao
D538,371 S *	3/2007	Kawami ..... D21/759	D621,893 S	8/2010	Nicolette et al.
7,186,190 B1	3/2007	Beach et al.	7,798,203 B2	9/2010	Schweigert et al.
7,207,900 B2	4/2007	Nicolette et al.	7,798,917 B2	9/2010	Nguyen et al.
D543,601 S	5/2007	Kawami	7,815,521 B2	10/2010	Ban et al.
7,223,180 B2	5/2007	Willett et al.	7,846,040 B2	12/2010	Ban
D552,198 S	10/2007	Schweigert et al.	7,846,041 B2	12/2010	Beach et al.
D555,219 S	11/2007	Lin	D633,967 S	3/2011	Carlyle et al.
D556,288 S	11/2007	Robinson et al.	D635,626 S	4/2011	Nicolette
D557,363 S	12/2007	Jertson et al.	7,927,229 B2	4/2011	Jertson et al.
D558,287 S	12/2007	Jertson et al.	D638,893 S	5/2011	Schweigert et al.
7,303,486 B2	12/2007	Imamoto	D638,896 S	5/2011	Schweigert et al.
D559,932 S	1/2008	Belmont	7,938,738 B2	5/2011	Roach
D561,284 S	2/2008	Nagai et al.	7,963,861 B2	6/2011	Beach et al.
D562,421 S	2/2008	Jertson et al.	D643,490 S	8/2011	Wada et al.
D563,498 S	3/2008	Jertson et al.	8,012,038 B1	9/2011	Beach et al.
D564,054 S	3/2008	Jertson et al.	D647,585 S	10/2011	Jertson et al.
D564,055 S	3/2008	Jertson et al.	8,062,150 B2	11/2011	Gilbert et al.
7,338,388 B2	3/2008	Schweigert et al.	8,088,025 B2	1/2012	Wahl et al.
7,347,794 B2	3/2008	Schweigert	8,092,319 B1	1/2012	Cackett et al.
D567,317 S	4/2008	Jertson et al.	8,105,180 B1	1/2012	Cackett et al.
7,351,164 B2	4/2008	Schweigert et al.	D658,248 S	4/2012	Nunez et al.
D569,933 S	5/2008	Jertson et al.	D661,751 S	6/2012	Nicolette et al.
D569,934 S	5/2008	Jertson et al.	D661,756 S	6/2012	Nicolette et al.
D569,935 S	5/2008	Schweigert et al.	8,221,262 B1	7/2012	Cackett et al.
D569,936 S	5/2008	Schweigert et al.	8,246,467 B2	8/2012	Huang et al.
D569,942 S	5/2008	Jertson et al.	8,257,196 B1 *	9/2012	Abbott ..... A63B 53/0466 473/335
D570,937 S	6/2008	Schweigert et al.	8,257,197 B2	9/2012	Schweigert
D570,938 S	6/2008	Jertson et al.	8,262,506 B2 *	9/2012	Watson ..... A63B 60/00 473/334
7,396,299 B2	7/2008	Nicolette et al.	8,328,662 B2	12/2012	Nakamura et al.
7,407,447 B2	8/2008	Beach et al.	D673,630 S	1/2013	Schweigert
7,410,425 B2	8/2008	Willett et al.	D673,632 S	1/2013	Schweigert et al.
7,410,426 B2	8/2008	Willett et al.	8,371,957 B2	2/2013	Schweigert et al.
7,419,441 B2	9/2008	Hoffman et al.	8,376,878 B2	2/2013	Bennett et al.
D579,507 S	10/2008	Llewellyn et al.	D680,179 S	4/2013	Solheim et al.
7,448,963 B2	11/2008	Beach et al.	D681,142 S	4/2013	Fossum et al.
7,448,964 B2	11/2008	Schweigert et al.	8,414,422 B2	4/2013	Peralta et al.
D584,370 S	1/2009	Cleveland et al.	8,485,919 B2 *	7/2013	Rice ..... A63B 53/0466 473/334
D584,782 S *	1/2009	Barez ..... D21/759	8,506,420 B2	8/2013	Hocknell et al.
D584,783 S *	1/2009	Barez ..... D21/759	D689,156 S	9/2013	Stokke et al.
D584,784 S *	1/2009	Barez ..... D21/759	D691,230 S	10/2013	Chen et al.
7,530,904 B2	5/2009	Beach et al.	8,545,343 B2	10/2013	Boyd et al.
D594,518 S	6/2009	Schweigert	8,562,457 B2	10/2013	Beach et al.
D594,520 S	6/2009	Schweigert et al.	8,574,094 B2	11/2013	Nicolette et al.
D594,521 S	6/2009	Jertson et al.	8,608,587 B2	12/2013	Henrikson et al.
D594,919 S	6/2009	Schweigert et al.	8,628,431 B2	1/2014	Schweigert et al.
7,540,811 B2	6/2009	Beach et al.	8,657,700 B2	2/2014	Nicolette et al.
D597,620 S	8/2009	Taylor et al.	8,663,026 B2	3/2014	Blowers et al.
7,568,985 B2	8/2009	Beach et al.	8,690,710 B2	4/2014	Nicolette et al.
7,578,753 B2	8/2009	Beach et al.	D707,316 S	6/2014	Aguayo et al.
D600,297 S	9/2009	Jertson et al.	D707,317 S	6/2014	Aguayo et al.
7,584,531 B2	9/2009	Schweigert et al.	8,753,230 B2	6/2014	Stokke et al.
7,588,502 B2	9/2009	Nishino	8,777,778 B2	7/2014	Solheim et al.
7,591,738 B2	9/2009	Beach et al.	8,784,232 B2	7/2014	Jertson et al.
D603,472 S	11/2009	Schweigert et al.	8,790,196 B2	7/2014	Solheim et al.
D604,783 S	11/2009	Nicolette et al.	8,808,108 B2	8/2014	Schweigert
7,611,424 B2	11/2009	Nagai et al.	D712,989 S	9/2014	Gillig
7,621,823 B2	11/2009	Beach et al.	8,826,512 B2	9/2014	Schweigert
D605,715 S	12/2009	Barez et al.	8,827,832 B2	9/2014	Breier et al.
D606,605 S	12/2009	Wada et al.	8,827,833 B2	9/2014	Amano et al.
D607,070 S	12/2009	Wada et al.	8,845,455 B2	9/2014	Ban et al.
D607,071 S	12/2009	Wada et al.	D714,894 S *	10/2014	Tang ..... D21/759
7,632,194 B2	12/2009	Beach et al.	D716,387 S	10/2014	Aguayo et al.
			D716,388 S	10/2014	Aguayo et al.

(56)

References Cited

U.S. PATENT DOCUMENTS

8,858,362 B1 *	10/2014	Leposky .....	A63B 60/02 473/334	2005/0119066 A1	6/2005	Stites et al.	
D721,544 S	1/2015	Hollander		2005/0239569 A1	10/2005	Best et al.	
D722,352 S	2/2015	Nicolette et al.		2005/0277485 A1	12/2005	Hou et al.	
D723,120 S	2/2015	Nicolette		2006/0105856 A1	5/2006	Lo	
8,961,336 B1	2/2015	Parsons et al.		2006/0111200 A1	5/2006	Poynor	
D724,164 S *	3/2015	Schweigert .....	D21/752	2007/0032308 A1	2/2007	Fagot et al.	
8,979,671 B1 *	3/2015	DeMille .....	A63B 53/06 473/334	2007/0225084 A1	9/2007	Schweigert et al.	
D726,265 S	4/2015	Nicolette		2007/0293344 A1	12/2007	Davis	
D729,892 S *	5/2015	Nicolette .....	D21/752	2008/0004133 A1	1/2008	Schweigert	
D733,234 S *	6/2015	Nicolette .....	D21/752	2008/0058113 A1	3/2008	Nicolette et al.	
9,199,140 B1 *	12/2015	Schweigert .....	A63B 60/02	2008/0188322 A1	8/2008	Anderson et al.	
9,199,143 B1	12/2015	Parsons et al.		2008/0300065 A1	12/2008	Schweigert	
D746,927 S *	1/2016	Parsons .....	D21/752	2009/0029790 A1	1/2009	Nicolette et al.	
D748,214 S	1/2016	Nicolette et al.		2009/0029795 A1	1/2009	Schweigert et al.	
D748,749 S	2/2016	Nicolette et al.		2010/0130306 A1	5/2010	Schweigert	
D753,251 S *	4/2016	Schweigert .....	D21/759	2010/0144461 A1	6/2010	Ban	
D755,319 S *	5/2016	Nicolette .....	D21/759	2010/0178999 A1	7/2010	Nicolette et al.	
D756,471 S	5/2016	Nicolette et al.		2011/0111883 A1	5/2011	Cackett	
9,352,197 B2 *	5/2016	Parsons .....	A63B 53/0466	2011/0143858 A1 *	6/2011	Peralta .....	A63B 60/02 473/335
D759,178 S *	6/2016	Nicolette .....	D21/759	2011/0165963 A1	7/2011	Cackett et al.	
D760,334 S *	6/2016	Schweigert .....	D21/752	2011/0269567 A1	11/2011	Ban et al.	
9,399,158 B2 *	7/2016	Parsons .....	A63B 53/0466	2011/0294596 A1	12/2011	Ban	
9,421,437 B2	8/2016	Parsons et al.		2012/0202615 A1 *	8/2012	Beach .....	A63B 53/02 473/338
9,427,634 B2	8/2016	Parsons et al.		2013/0137532 A1	5/2013	Deshmukh et al.	
D765,808 S *	9/2016	Cardani .....	D21/759	2013/0225319 A1	8/2013	Kato	
D766,391 S *	9/2016	Cardani .....	D21/759	2013/0281226 A1	10/2013	Ban	
D767,696 S *	9/2016	Parsons .....	D21/752	2013/0288823 A1	10/2013	Hebreo	
D776,216 S *	1/2017	Schweigert .....	D21/752	2013/0303303 A1	11/2013	Ban	
D777,858 S *	1/2017	Schweigert .....	D21/752	2013/0303304 A1	11/2013	Sato	
9,555,295 B2 *	1/2017	Schweigert .....	A63B 60/02	2013/0310192 A1	11/2013	Wahl et al.	
9,630,070 B2 *	4/2017	Parsons .....	A63B 53/0466	2014/0080621 A1	3/2014	Nicolette et al.	
D791,257 S *	7/2017	Oldknow .....	D21/759	2014/0128175 A1	5/2014	Jertson et al.	
D802,069 S *	11/2017	Parsons .....	D21/752	2014/0274441 A1	9/2014	Greer	
D802,070 S *	11/2017	Parsons .....	D21/752	2014/0274451 A1	9/2014	Knight et al.	
D807,976 S *	1/2018	Parsons .....	D21/752	2015/0231454 A1	8/2015	Parsons et al.	
D821,514 S *	6/2018	Sillies .....	D21/759	2015/0231806 A1	8/2015	Parsons et al.	
D827,067 S	8/2018	Becktor et al.		2019/0314690 A1 *	10/2019	Schweigert .....	A63B 60/006
D827,745 S *	9/2018	Schweigert .....	D21/752	2020/0215397 A1 *	7/2020	Parsons .....	A63B 60/02
D839,372 S *	1/2019	Schweigert .....	D21/752	2020/0230471 A1 *	7/2020	Parsons .....	A63B 53/04
D850,551 S *	6/2019	Parsons .....	D21/759				
D852,303 S *	6/2019	Parsons .....	D21/752				
D852,304 S *	6/2019	Parsons .....	D21/752				
D852,305 S *	6/2019	Parsons .....	D21/752				
D865,886 S *	11/2019	Parsons .....	D21/752				
D897,462 S *	9/2020	Parsons .....	D21/752				
D897,463 S *	9/2020	Parsons .....	D21/752				
D921,786 S *	6/2021	Parsons .....	D21/752				
2002/0107087 A1	8/2002	Fagot					
2003/0139226 A1	7/2003	Cheng et al.					
2003/0176231 A1	9/2003	Hasebe					
2004/0204263 A1	10/2004	Fagot et al.					
2005/0009632 A1	1/2005	Schweigert et al.					
2005/0014573 A1	1/2005	Lee					

OTHER PUBLICATIONS

PCT/US15/42484: International Search Report and Written Opinion dated Oct. 19, 2015 (12 Pages).  
 PCT/US2015/016666: International Search Report and Written Opinion dated May 14, 2015 (8 Pages).  
 PCT/US2015/042282: International Search Report and Written Opinion dated Oct. 13, 2015 (12 Pages).  
 U.S. Appl. No. 29/512,313, Nicolette, "Golf Club Head," filed Dec. 18, 2018.  
 Wall, Jonathan, "Details: Phil's Prototype Mack Daddy PM-Grind Wedge," (<http://www.pgatour.com/equipmentreport/2015/01/21/callaway-wedge.html>), www.pgatour.com, PGA Tour, Inc., published Jan. 21, 2015.

\* cited by examiner

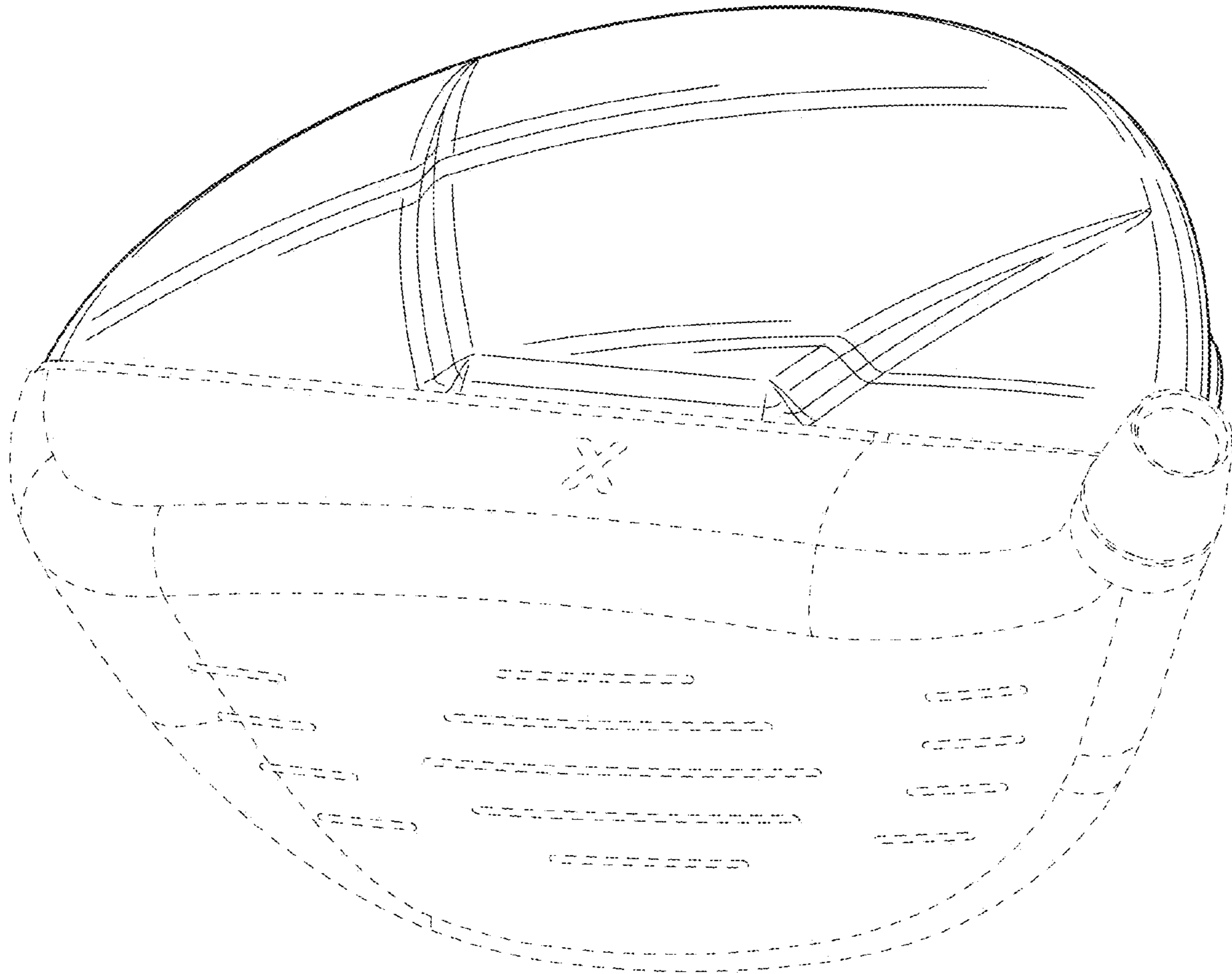


FIG. 1

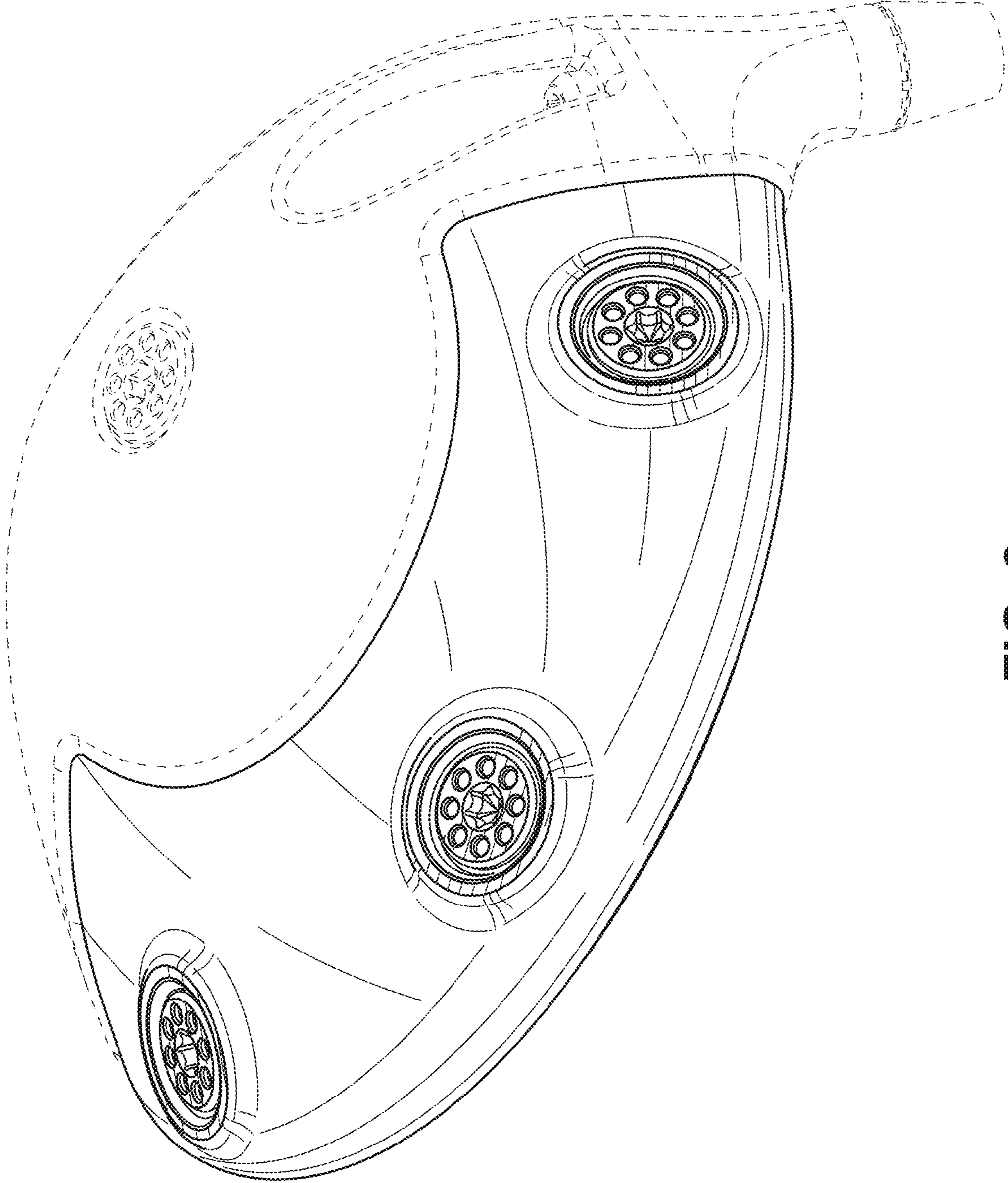


FIG. 2

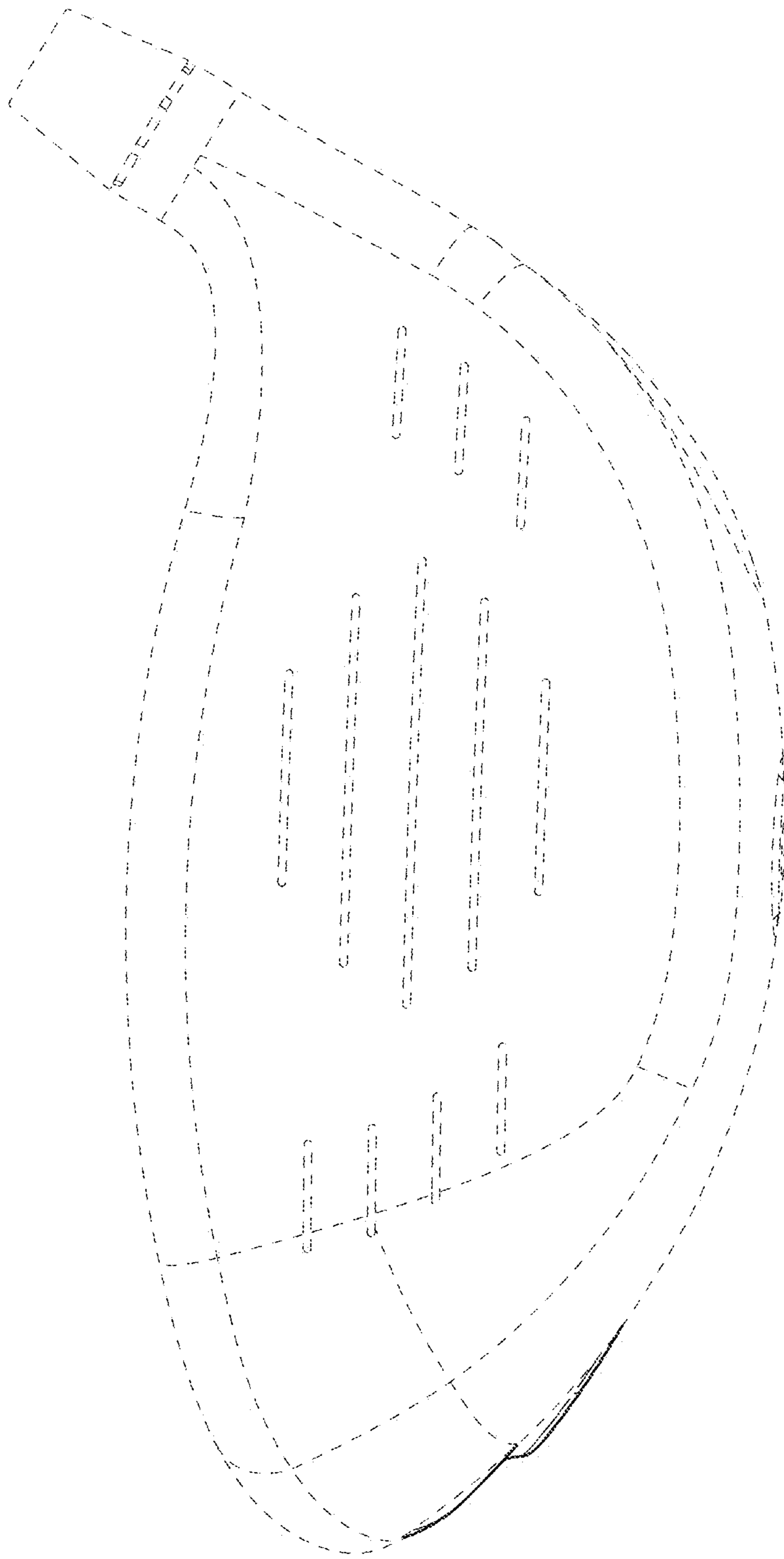


FIG. 3

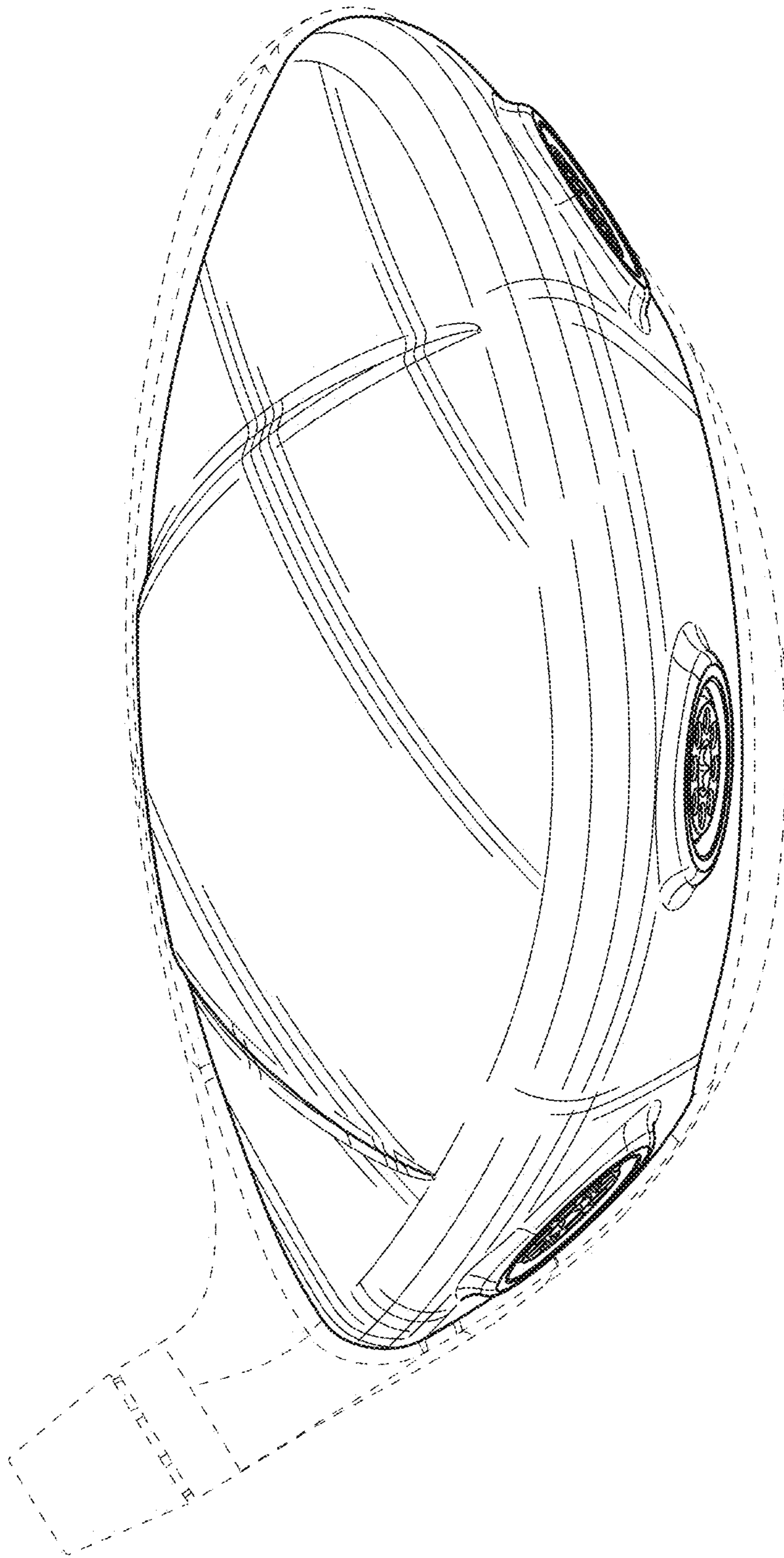


FIG. 4



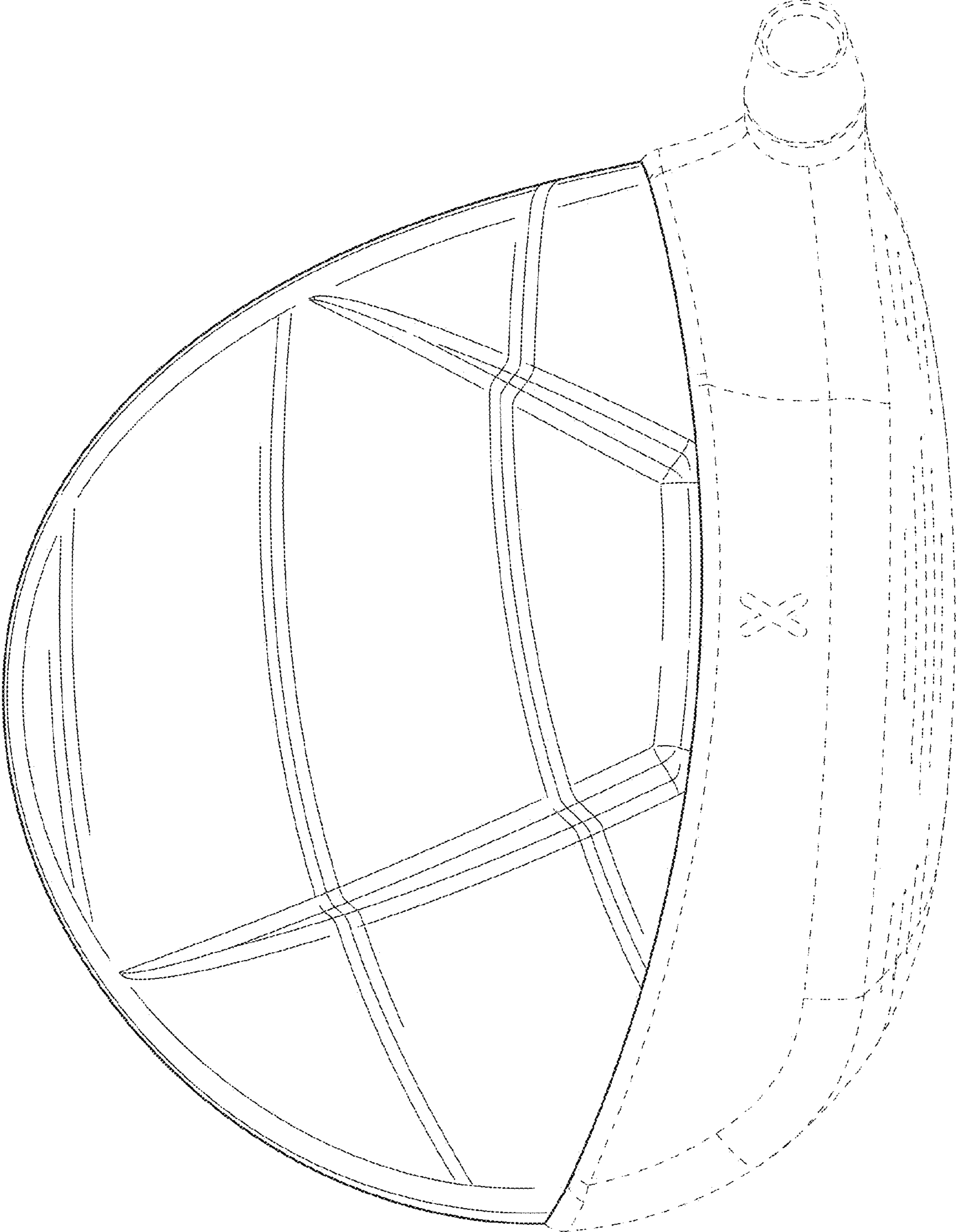


FIG. 5

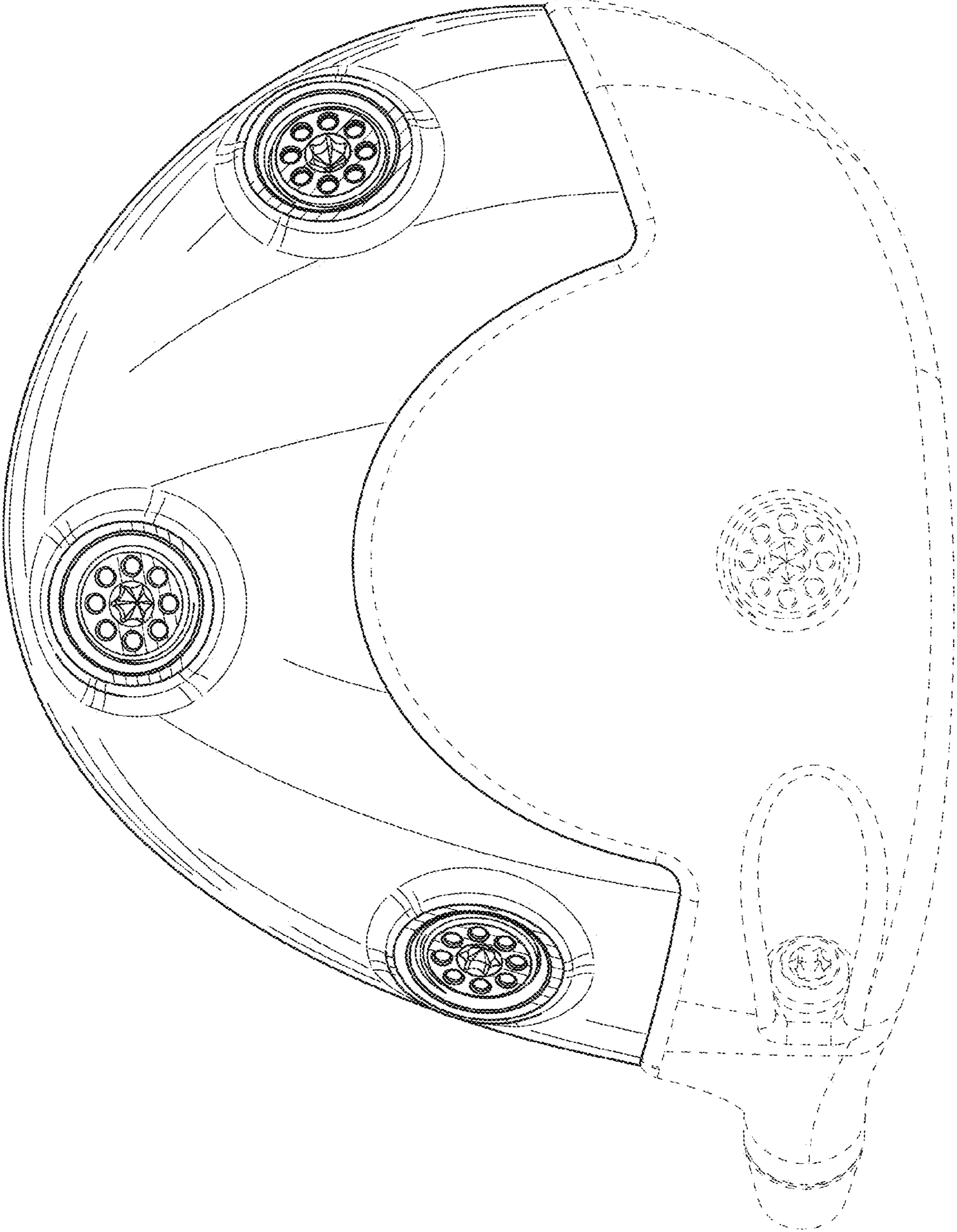


FIG. 6

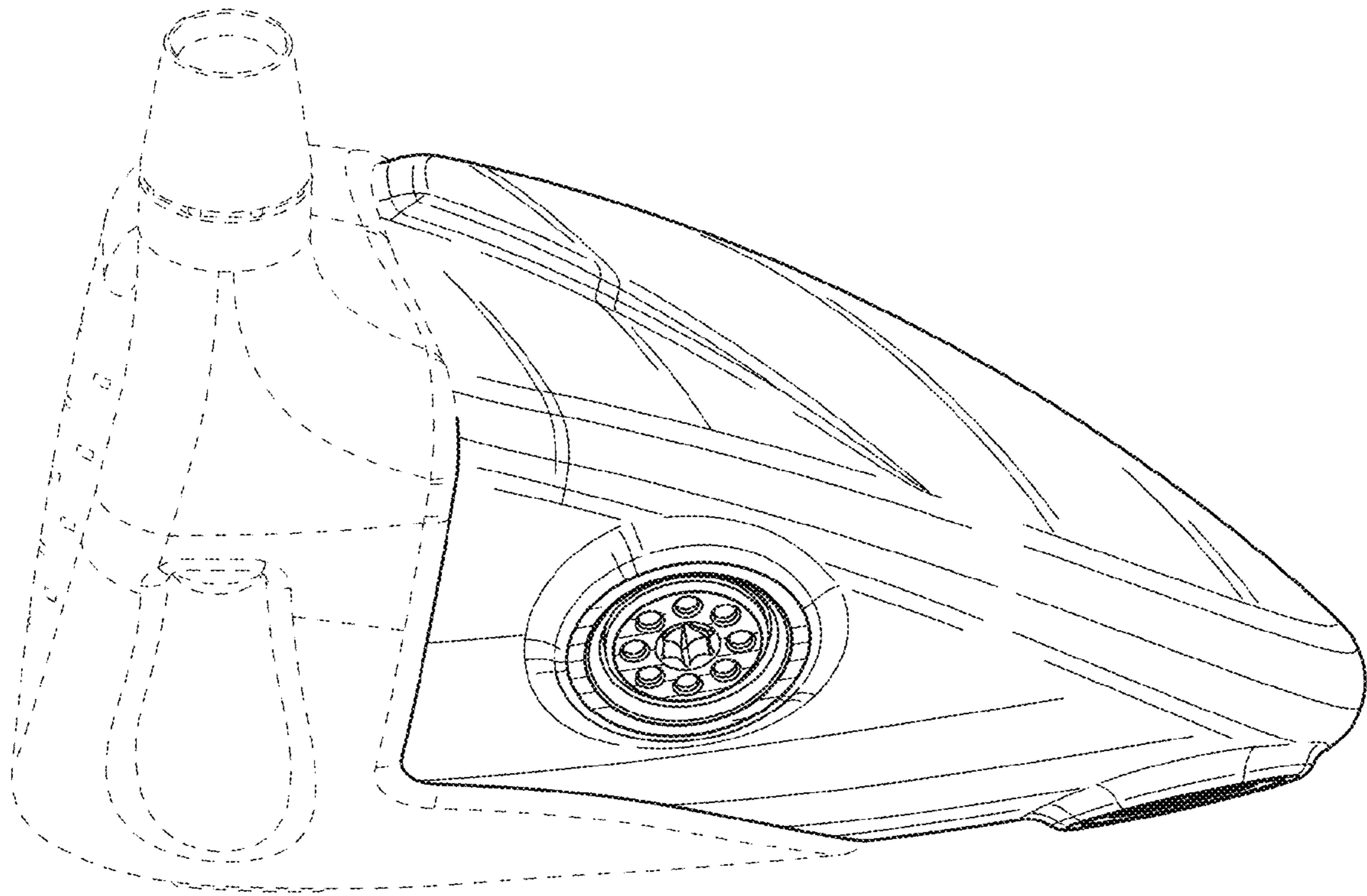


FIG. 7

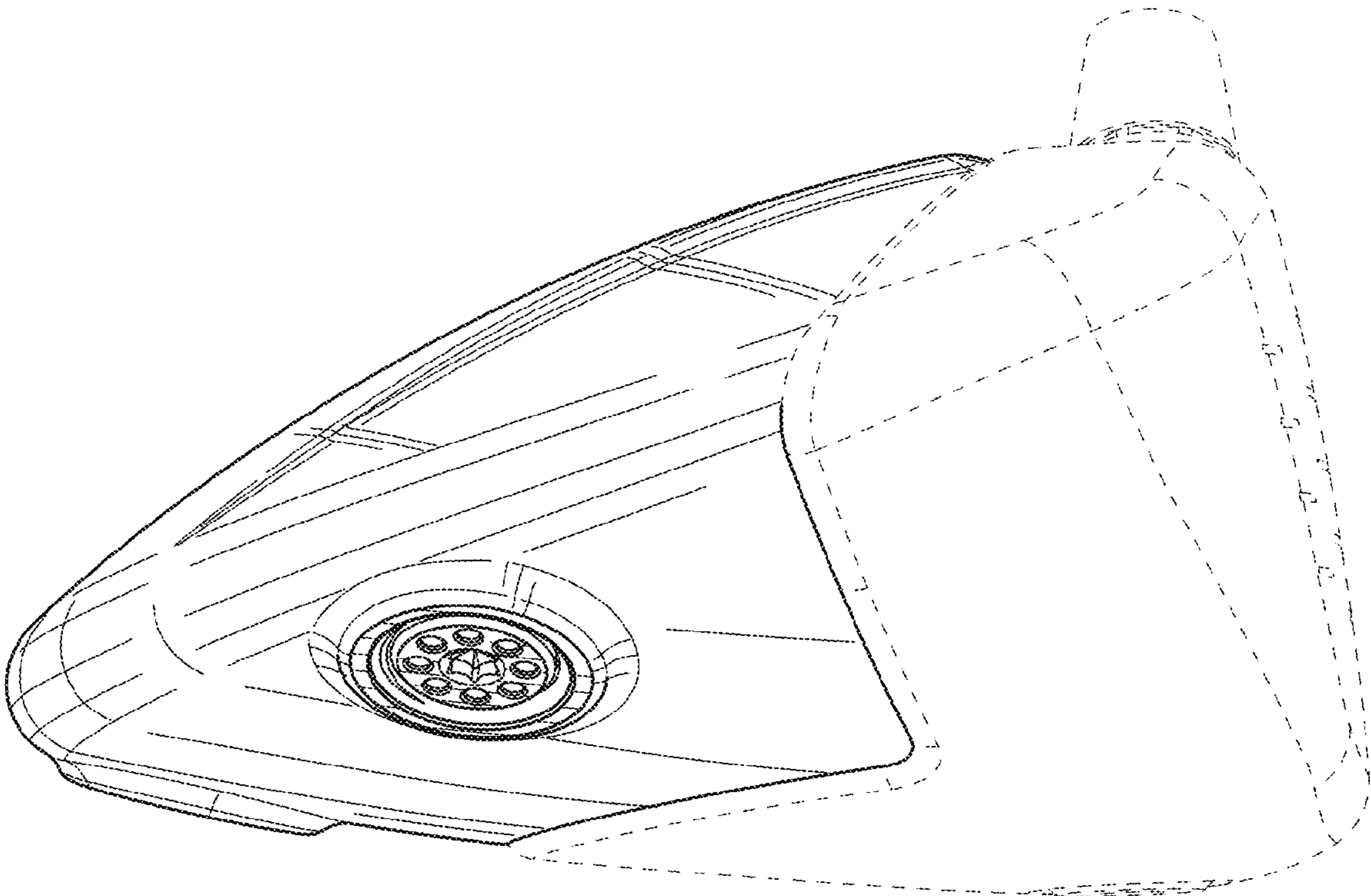


FIG. 8

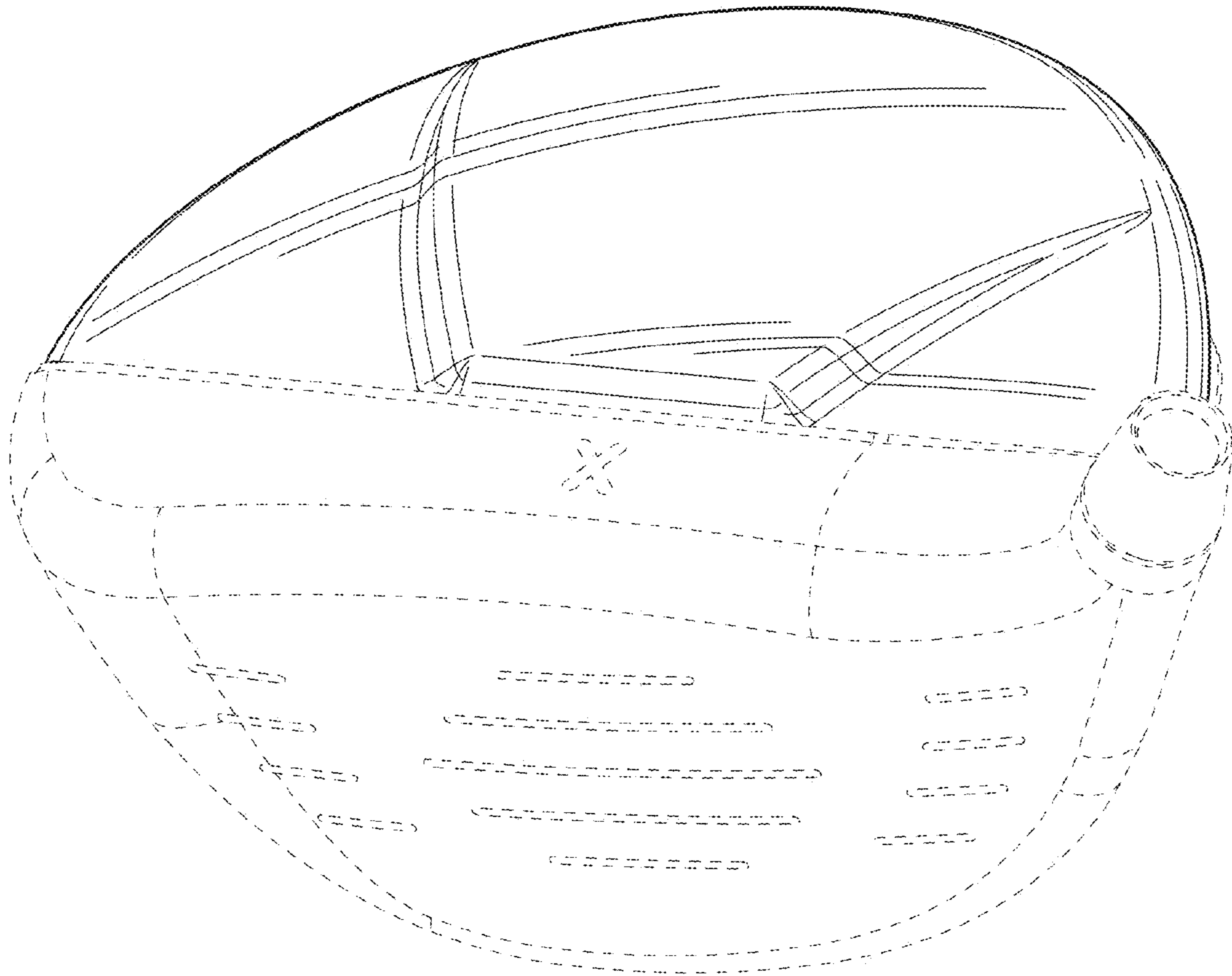


FIG. 9



FIG. 10

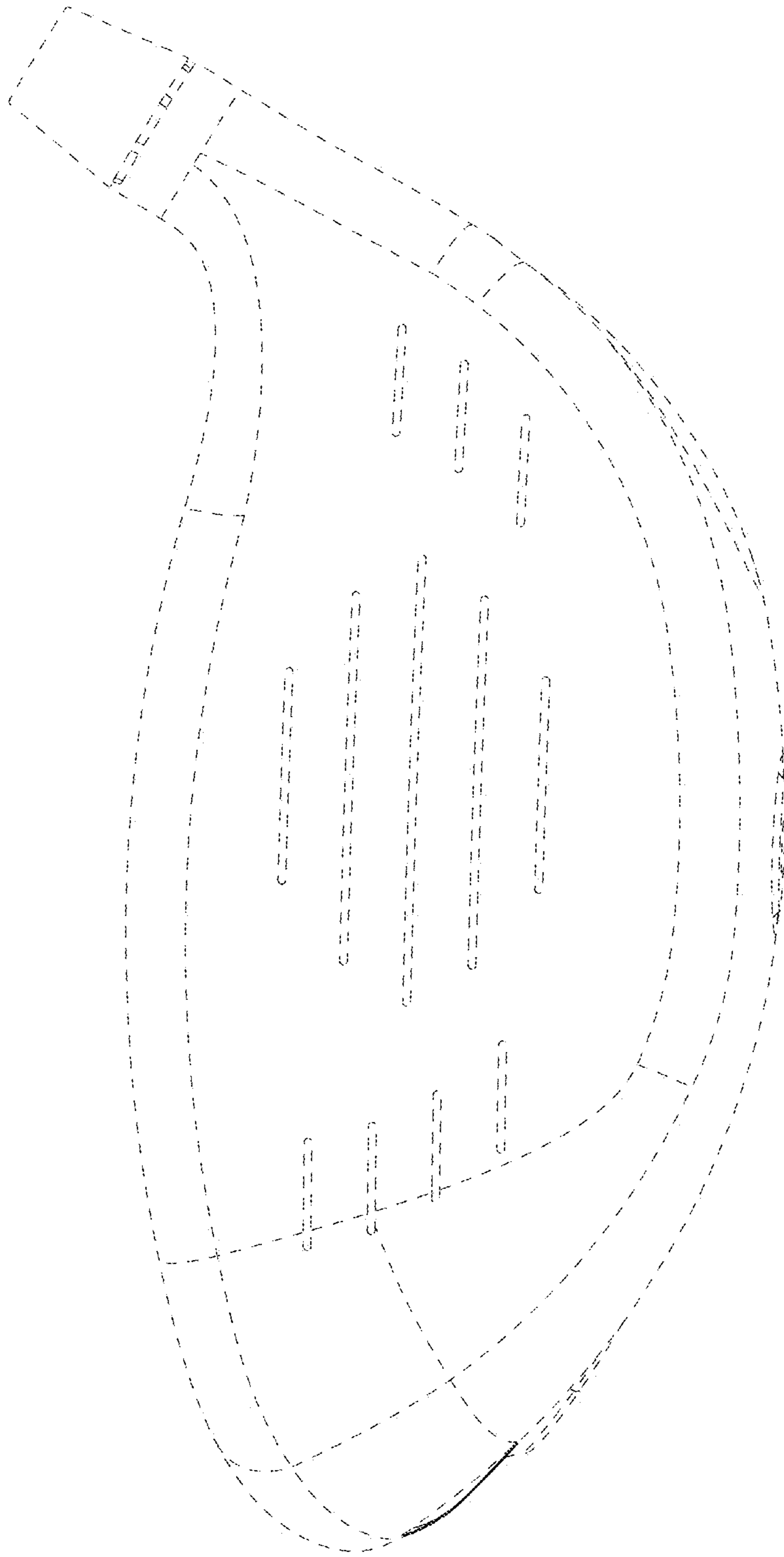


FIG. 11

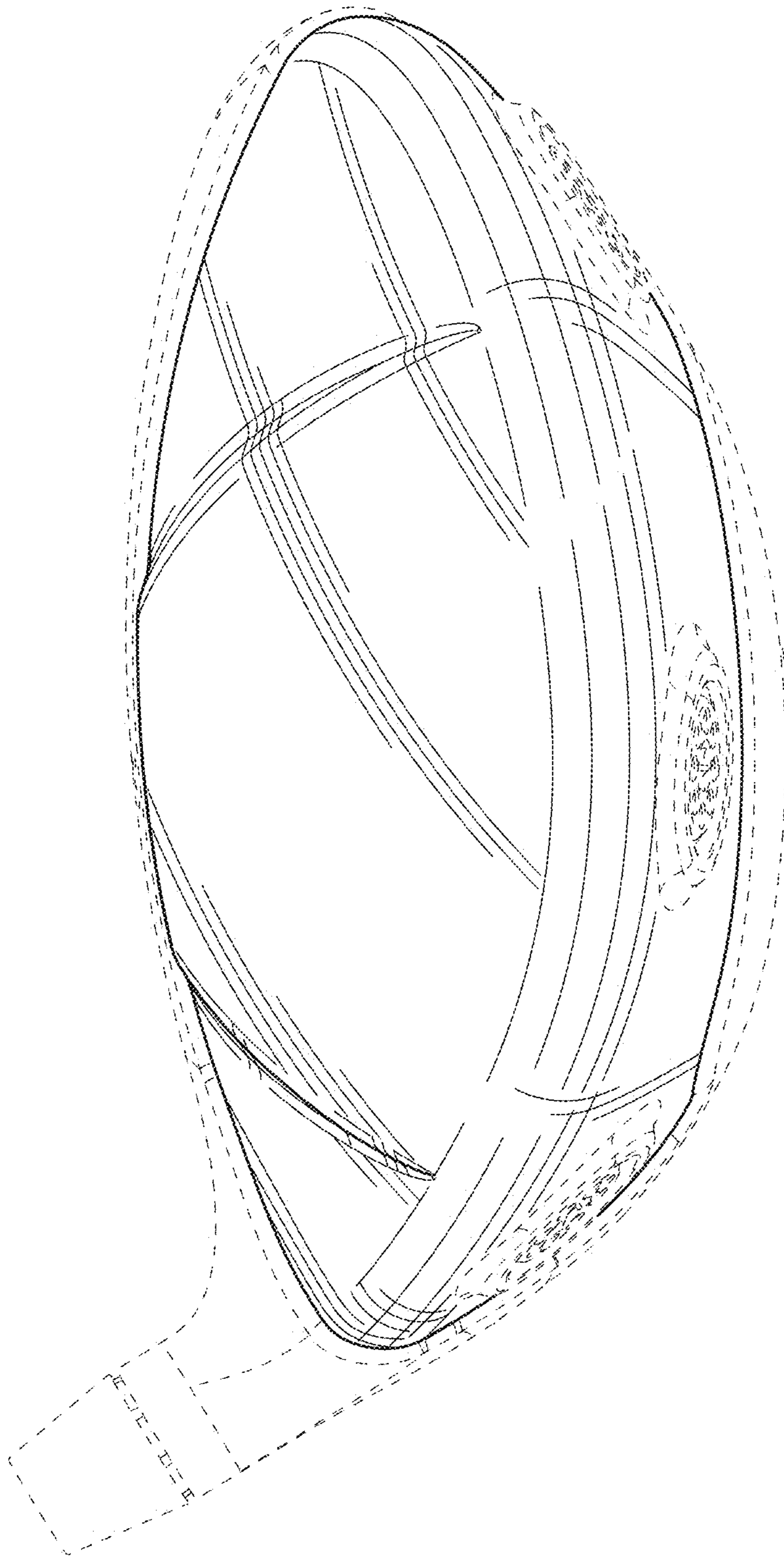


FIG. 12

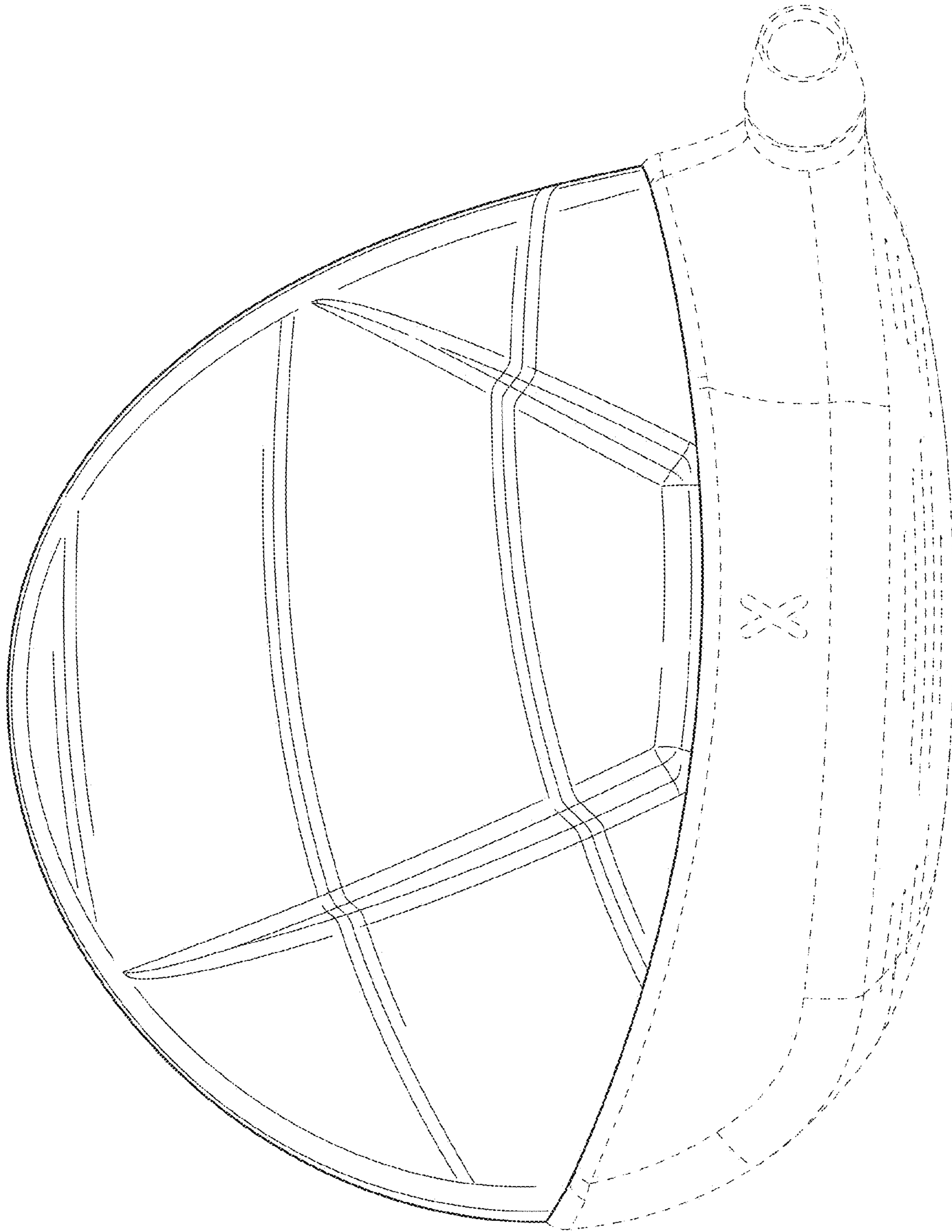


FIG. 13



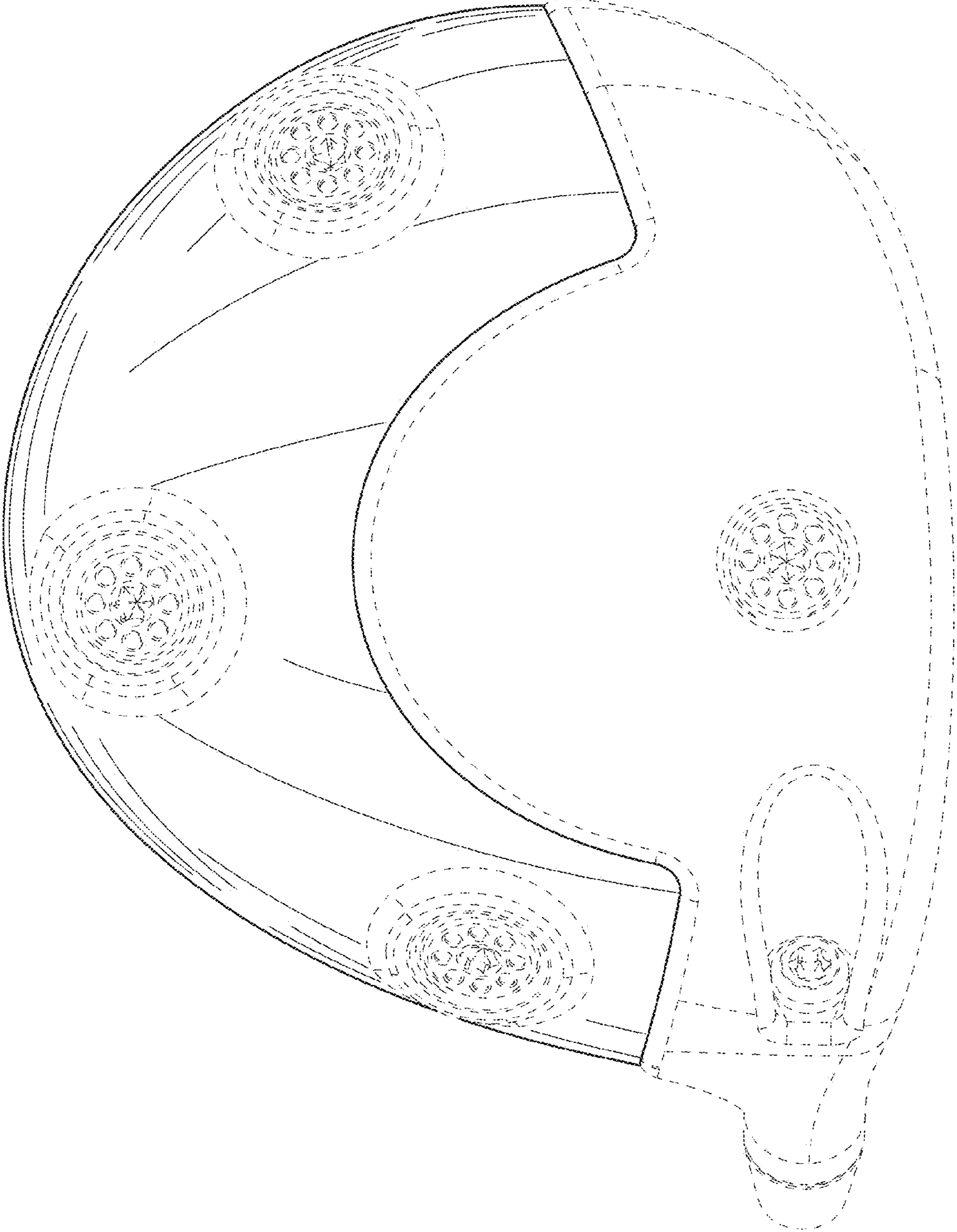


FIG. 14

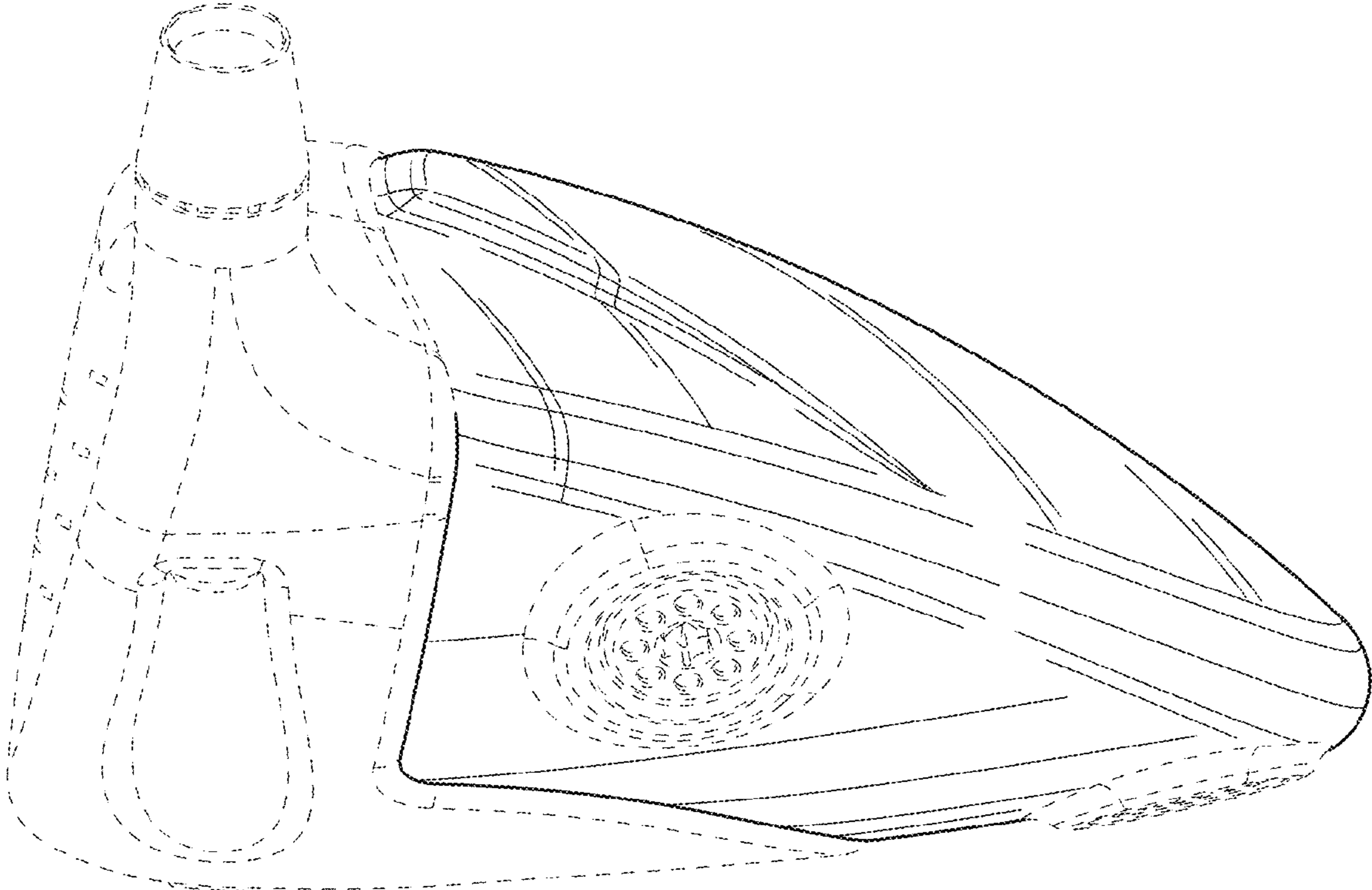


FIG. 15

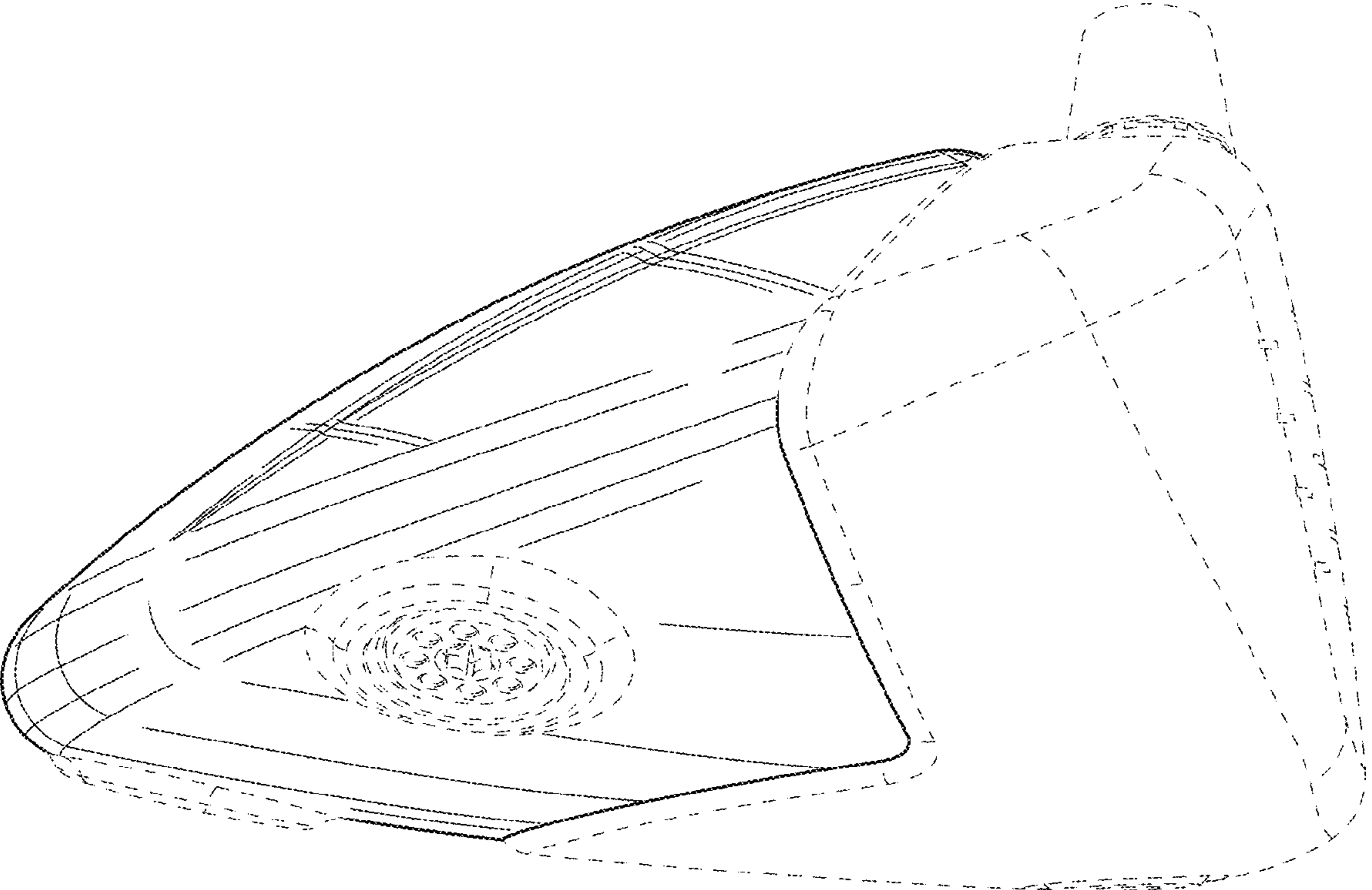


FIG. 16