



US00D963774S

(12) **United States Design Patent**  
**Higgins et al.**

(10) **Patent No.:** **US D963,774 S**

(45) **Date of Patent:** **\*\* Sep. 13, 2022**

(54) **SWING TRAINING DEVICE**

(71) Applicants: **Mike Higgins**, Coral Springs, FL (US);  
**Lester Aguilera**, Davie, FL (US)

(72) Inventors: **Mike Higgins**, Coral Springs, FL (US);  
**Lester Aguilera**, Davie, FL (US)

(73) Assignee: **FLEYE SPORTS LLC**, Davie, FL  
(US)

(\*\*) Term: **15 Years**

(21) Appl. No.: **29/652,768**

(22) Filed: **Nov. 19, 2020**

(51) **LOC (13) Cl.** ..... **21-02**

(52) **U.S. Cl.**  
USPC ..... **D21/753**; D21/780; D21/791

(58) **Field of Classification Search**  
USPC ..... D21/753, 780, 789, 791  
CPC ..... A42B 3/0406; A63B 2069/0008; A63B  
69/00; A63B 69/0002; A63B 69/3608  
See application file for complete search history.

(56) **References Cited**

U.S. PATENT DOCUMENTS

2,433,590	A *	12/1947	Barr	.....	G02C 11/12 2/13
2,434,076	A *	1/1948	Kilham	.....	A42B 1/247 2/10
2,598,145	A *	5/1952	Steadman, Jr.	.....	G02B 7/002 359/410
2,717,385	A *	9/1955	Linster	.....	A42B 1/247 2/10
3,594,007	A *	7/1971	Kalberer	.....	A63B 69/3608 473/211
D238,831	S *	2/1976	Helfand	.....	2/12
4,063,740	A *	12/1977	Mader	.....	A63B 69/3608 2/209.13
4,392,650	A *	7/1983	Hilton	.....	A63B 69/38 473/464

D277,995	S *	3/1985	Hand, Jr.	.....	D21/791
4,762,325	A *	8/1988	McCleery	.....	A63B 69/3608 33/262
4,852,882	A *	8/1989	Otsuka	.....	A63B 69/3608 473/210
5,052,114	A *	10/1991	Levenson	.....	G01C 15/12 473/270
5,413,346	A *	5/1995	Hedlund	.....	A63B 69/3608 473/268
D359,334	S *	6/1995	Taylor	.....	D21/791

(Continued)

*Primary Examiner* — Mitchell I. Siegel  
(74) *Attorney, Agent, or Firm* — Dunlap Bennett &  
Ludwig, PLLC

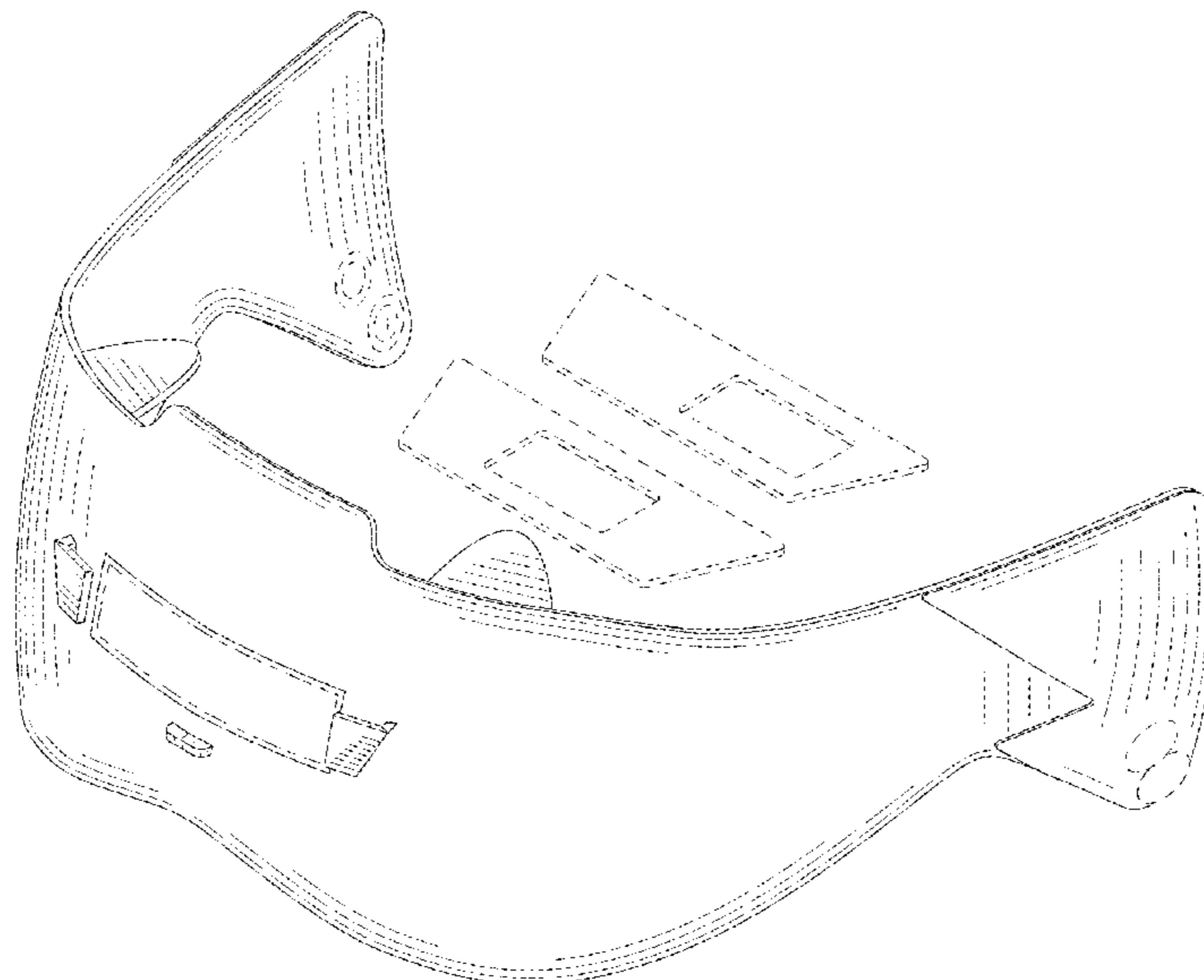
(57) **CLAIM**

The ornamental design for a swing training device, as shown and described.

**DESCRIPTION**

FIG. 1 is a top front perspective view of a swing training device, showing our new design;  
FIG. 2 is a front elevation view thereof;  
FIG. 3 is a rear elevation view thereof;  
FIG. 4 is a right-side elevation view thereof, the left-side elevation view being a mirror thereof;  
FIG. 5 is a top plan view thereof;  
FIG. 6 is a bottom plan view thereof; and,  
FIG. 7 is a top front perspective view of the swing training device shown in use.  
The dot-dash-dot (unevenly-sized) broken lines define the bounds of the claimed design and so form no part of the claimed design. The dash-dash (evenly-sized) broken lines showing the visor inserts depict environmental subject matter that forms no part of the claimed design, while the remaining dash-dash (evenly-sized) broken lines shown in the drawings depict portions of the swing training device that form no part of the claimed design.

**1 Claim, 4 Drawing Sheets**



(56)

**References Cited**

U.S. PATENT DOCUMENTS

5,661,534 A \* 8/1997 Gill ..... A61F 9/045  
2/13  
D415,234 S \* 10/1999 Feinbloom ..... D21/791  
6,390,619 B1 \* 5/2002 Gill, Jr. .... A63B 69/0002  
351/44  
8,296,869 B2 \* 10/2012 Kellogg ..... A42B 3/0406  
2/9  
10,987,560 B2 \* 4/2021 Higgins ..... A63B 69/0002  
2021/0205683 A1 \* 7/2021 Higgins ..... A63B 69/3608

\* cited by examiner

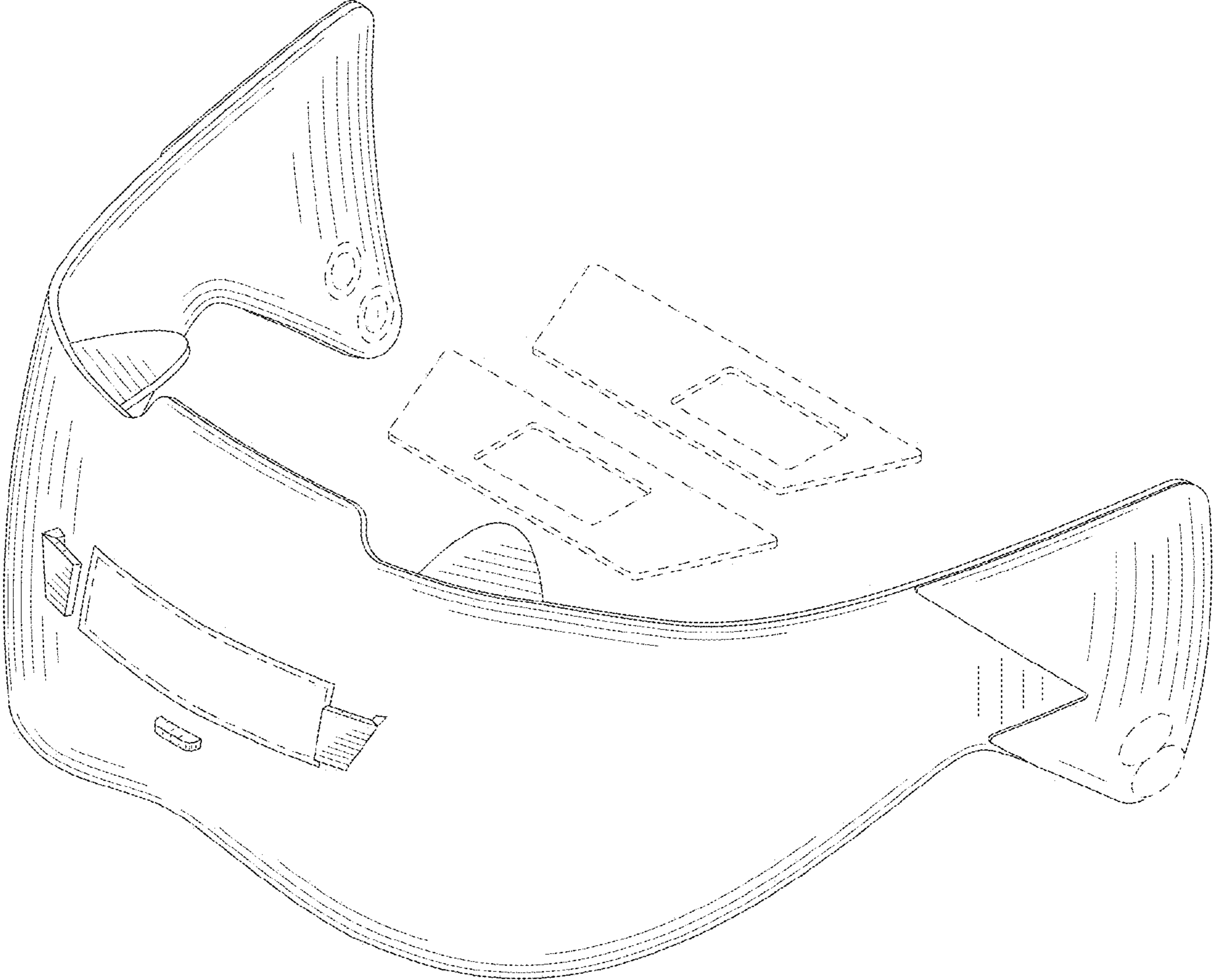


FIG. 1

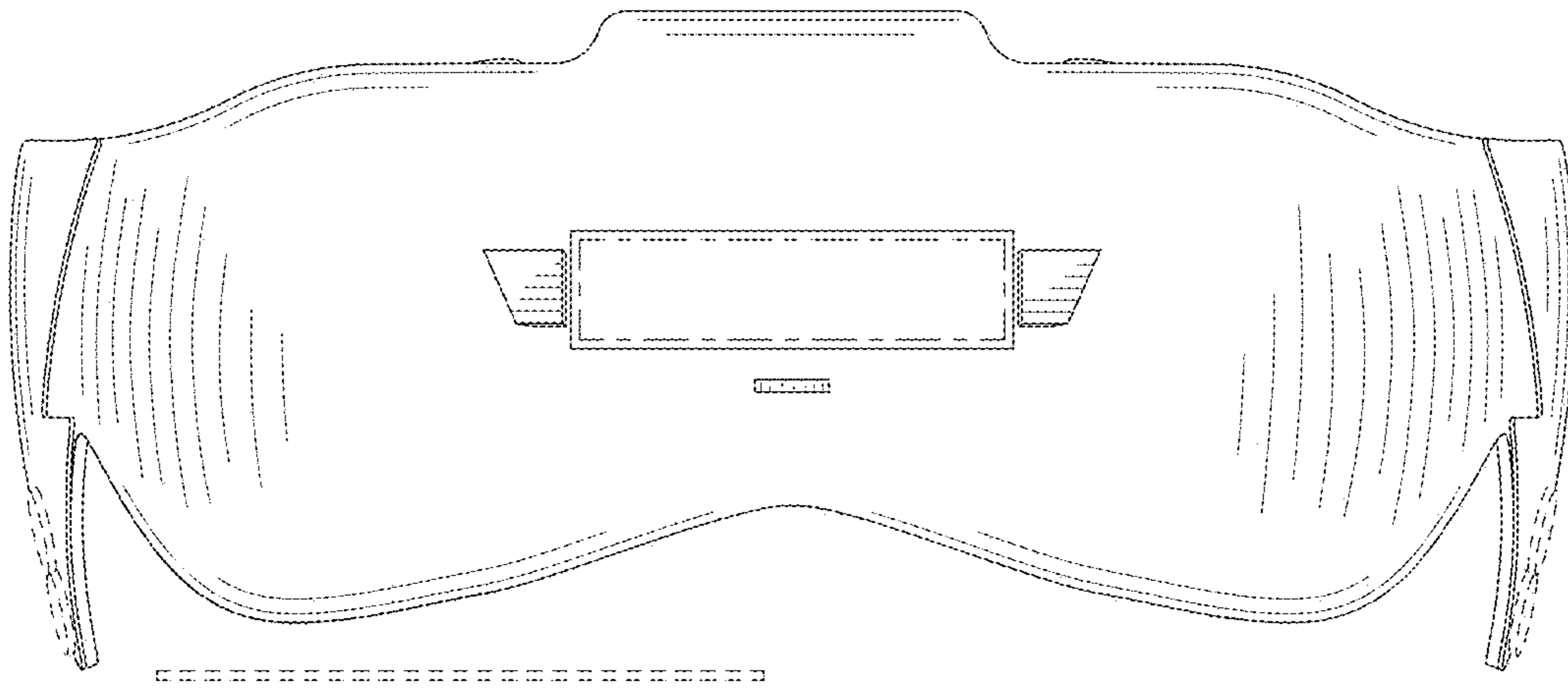


FIG. 2

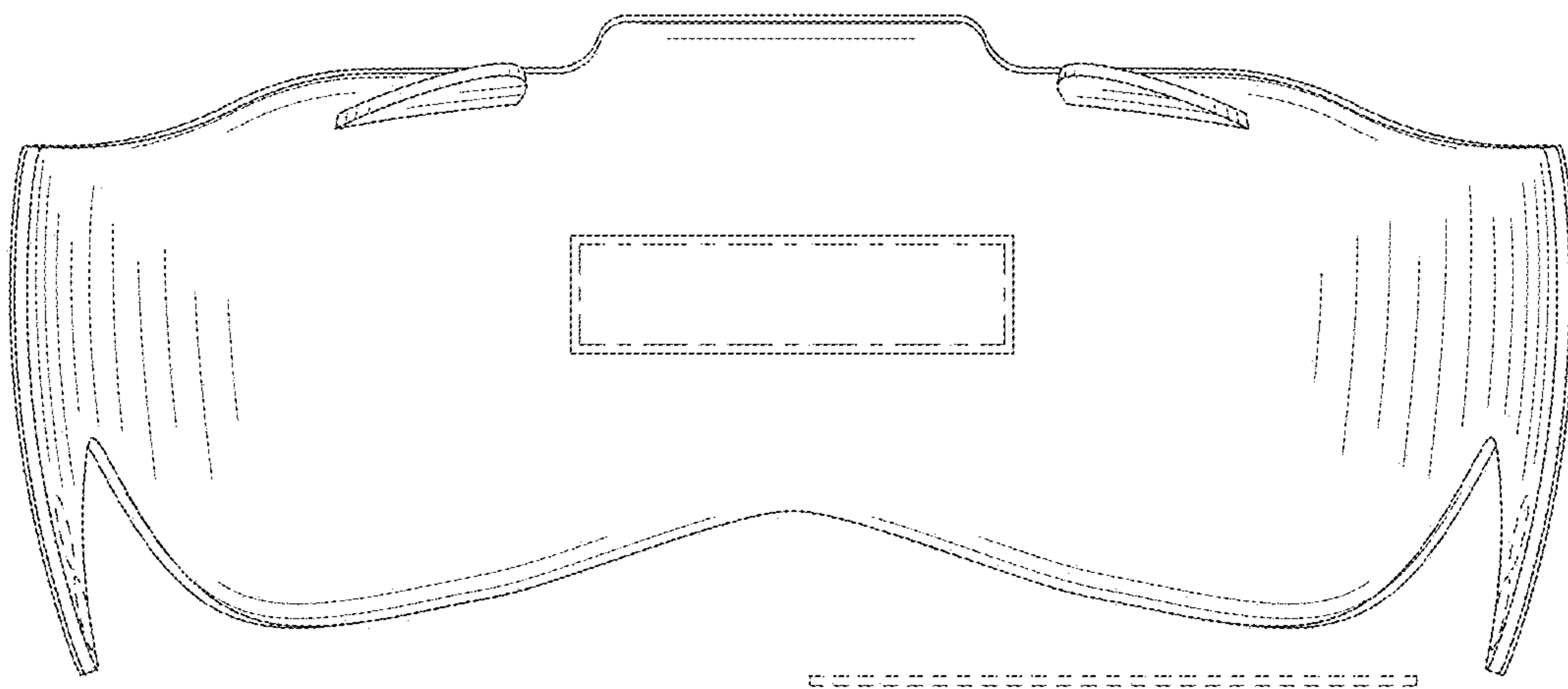


FIG. 3

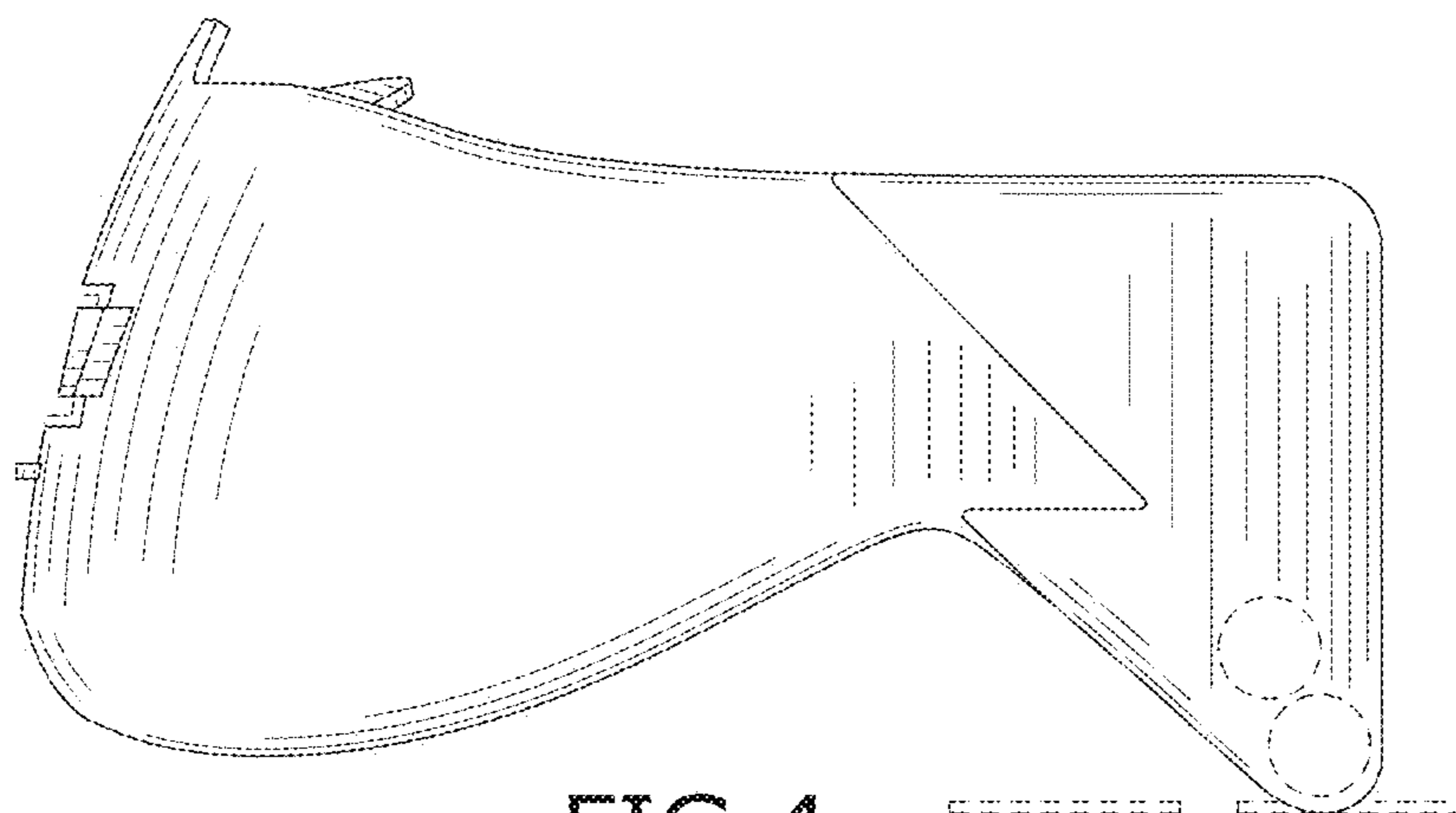


FIG. 4



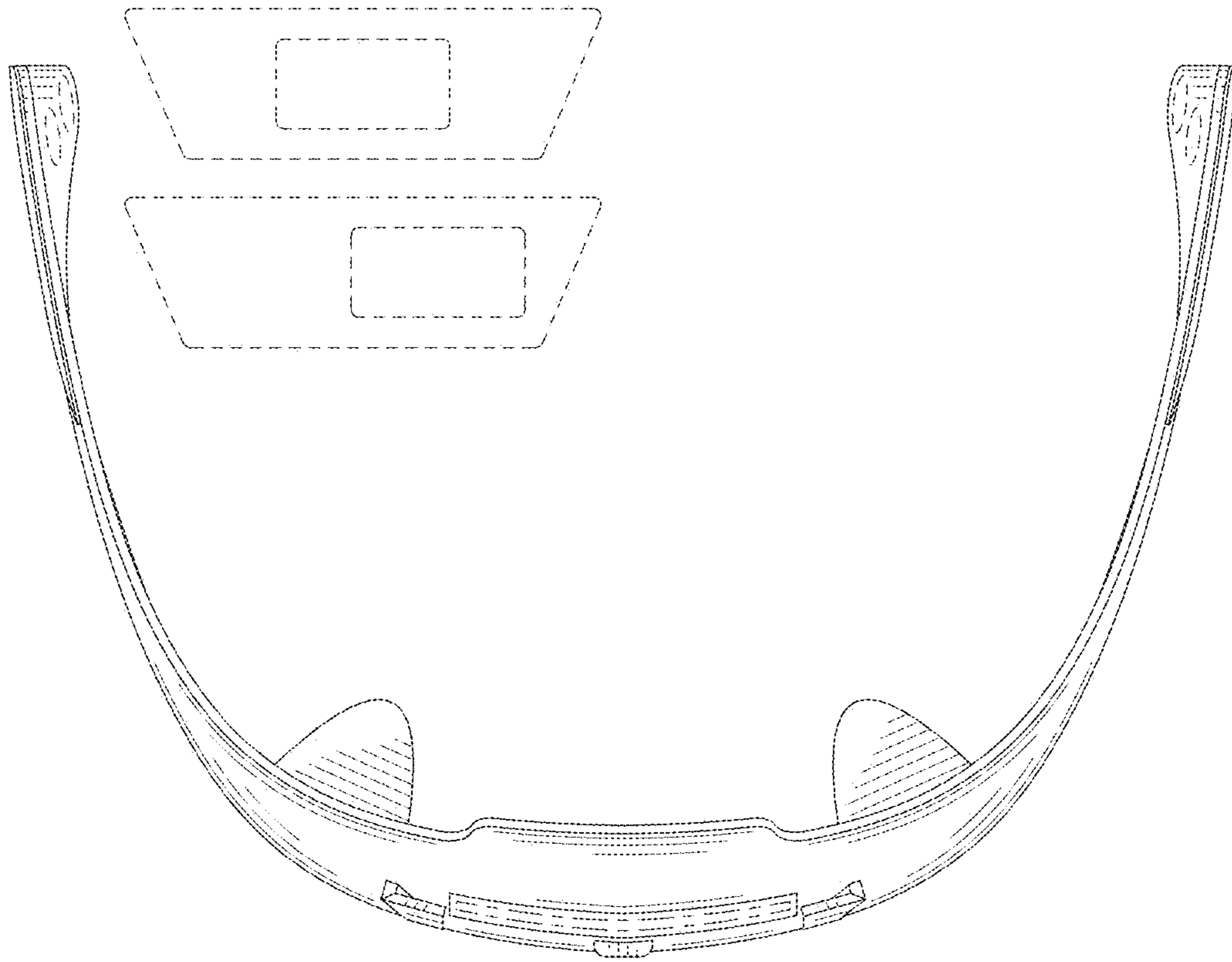


FIG. 5

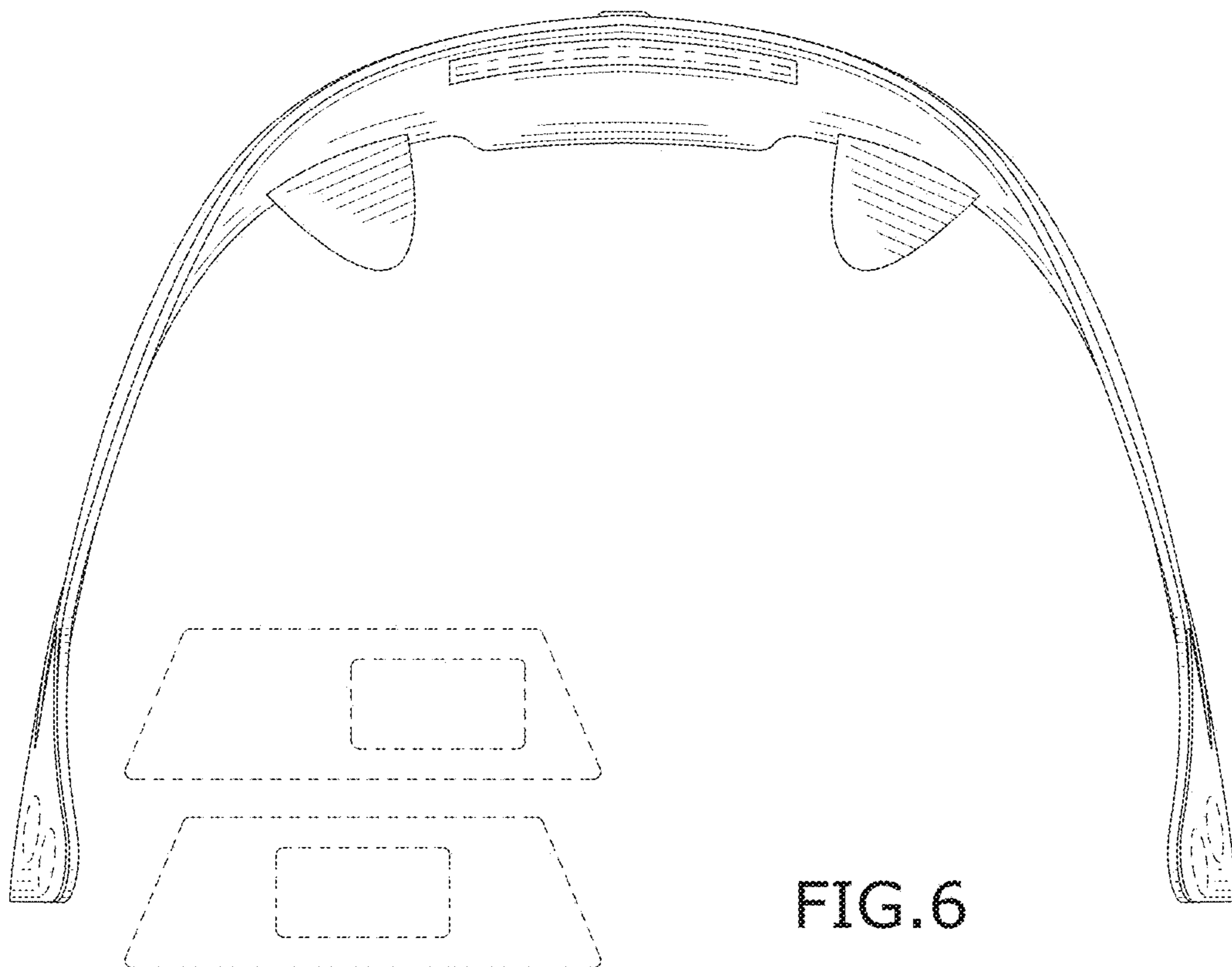


FIG. 6

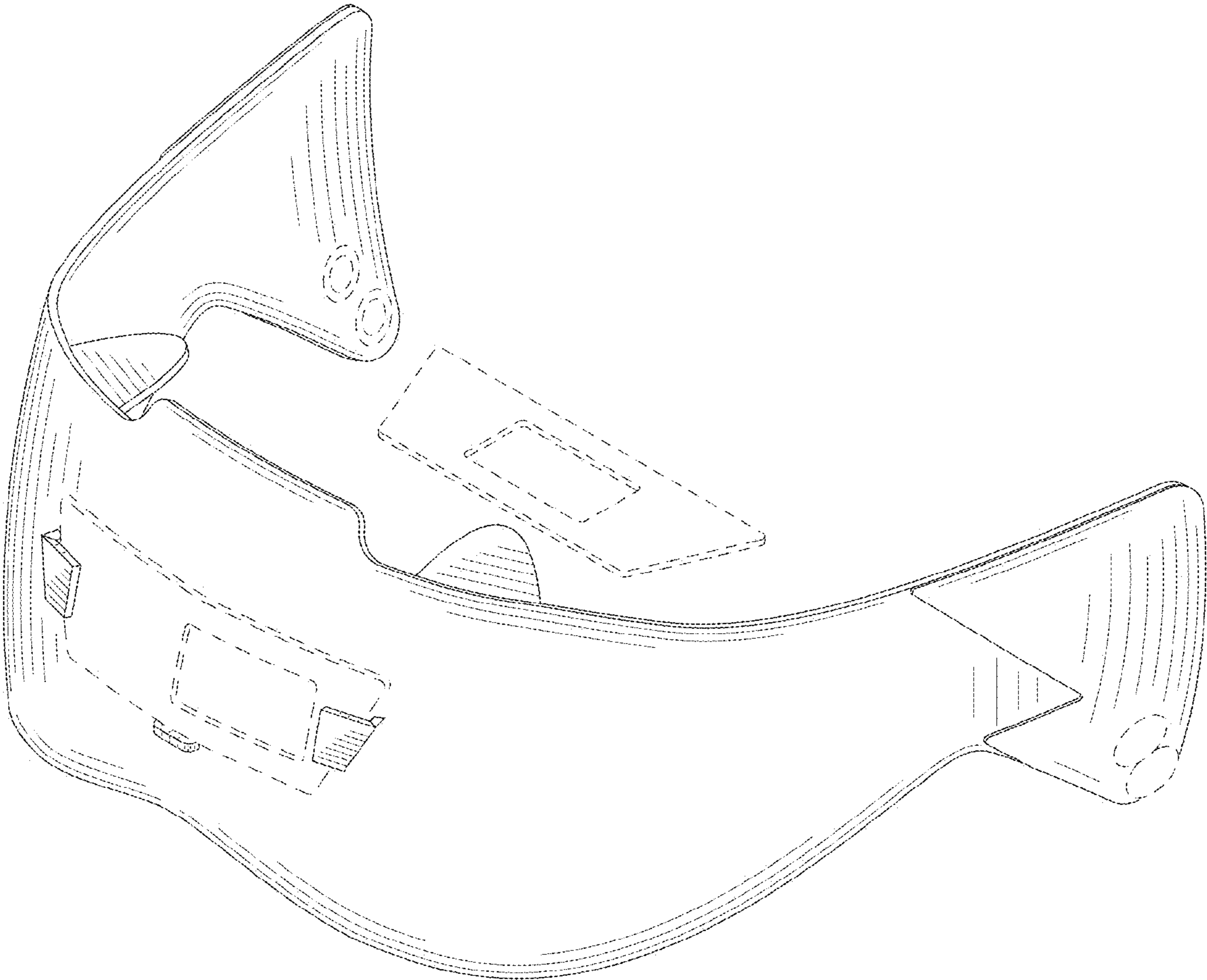


FIG. 7