



US00D963771S

(12) **United States Design Patent**  
**Frank**

(10) **Patent No.:** **US D963,771 S**

(45) **Date of Patent:** **\*\* Sep. 13, 2022**

(54) **BALL THROWER**

(71) Applicant: **Edward J. Frank**, San Diego, CA (US)

(72) Inventor: **Edward J. Frank**, San Diego, CA (US)

(\*\*) Term: **15 Years**

(21) Appl. No.: **29/706,208**

(22) Filed: **Sep. 18, 2019**

(51) **LOC (13) Cl.** ..... **21-02**

(52) **U.S. Cl.**  
USPC ..... **D21/722**

(58) **Field of Classification Search**  
USPC ..... D21/722; D22/113, 114; D30/160  
CPC . A63B 59/20; A63B 59/30; A63B 65/00-127;  
A63B 60/00; A63B 60/46; F41B 3/00-04;  
F41J 9/16; F41J 9/18; F41J 9/28; A01K  
15/027  
See application file for complete search history.

(56) **References Cited**

**U.S. PATENT DOCUMENTS**

- 1,445,371 A \* 2/1923 Vickery ..... F41J 9/20  
124/8
- 4,974,574 A \* 12/1990 Cutlip ..... F41B 3/00  
124/5
- 5,390,652 A \* 2/1995 Minneman ..... F41J 9/28  
124/5
- D374,702 S \* 10/1996 Parks ..... D22/113
- D554,717 S \* 11/2007 McKinnell ..... D21/722
- D630,277 S \* 1/2011 McKinnell ..... D21/722
- D637,248 S \* 5/2011 Levin ..... D21/722
- 9,392,768 B1 \* 7/2016 Mullin ..... A01K 15/02
- 9,545,082 B1 \* 1/2017 Mullin ..... A01K 15/021
- 10,220,282 B1 \* 3/2019 Steinkraus ..... A63B 65/122
- D863,476 S \* 10/2019 Haarburger ..... D21/722

- D898,139 S \* 10/2020 Stearman ..... D21/722
- D910,140 S \* 2/2021 Rick ..... D22/114
- 2012/0227721 A1 \* 9/2012 Geller ..... A63B 60/10  
124/5
- 2015/0342146 A1 \* 12/2015 Tucker ..... A01K 15/025  
124/79

**OTHER PUBLICATIONS**

Ball thrower google search; google.com; May 3, 2022.\*

\* cited by examiner

*Primary Examiner* — Mitchell I. Siegel  
(74) *Attorney, Agent, or Firm* — Buche & Associates,  
P.C.; John K. Buche; Bryce A. Johnson

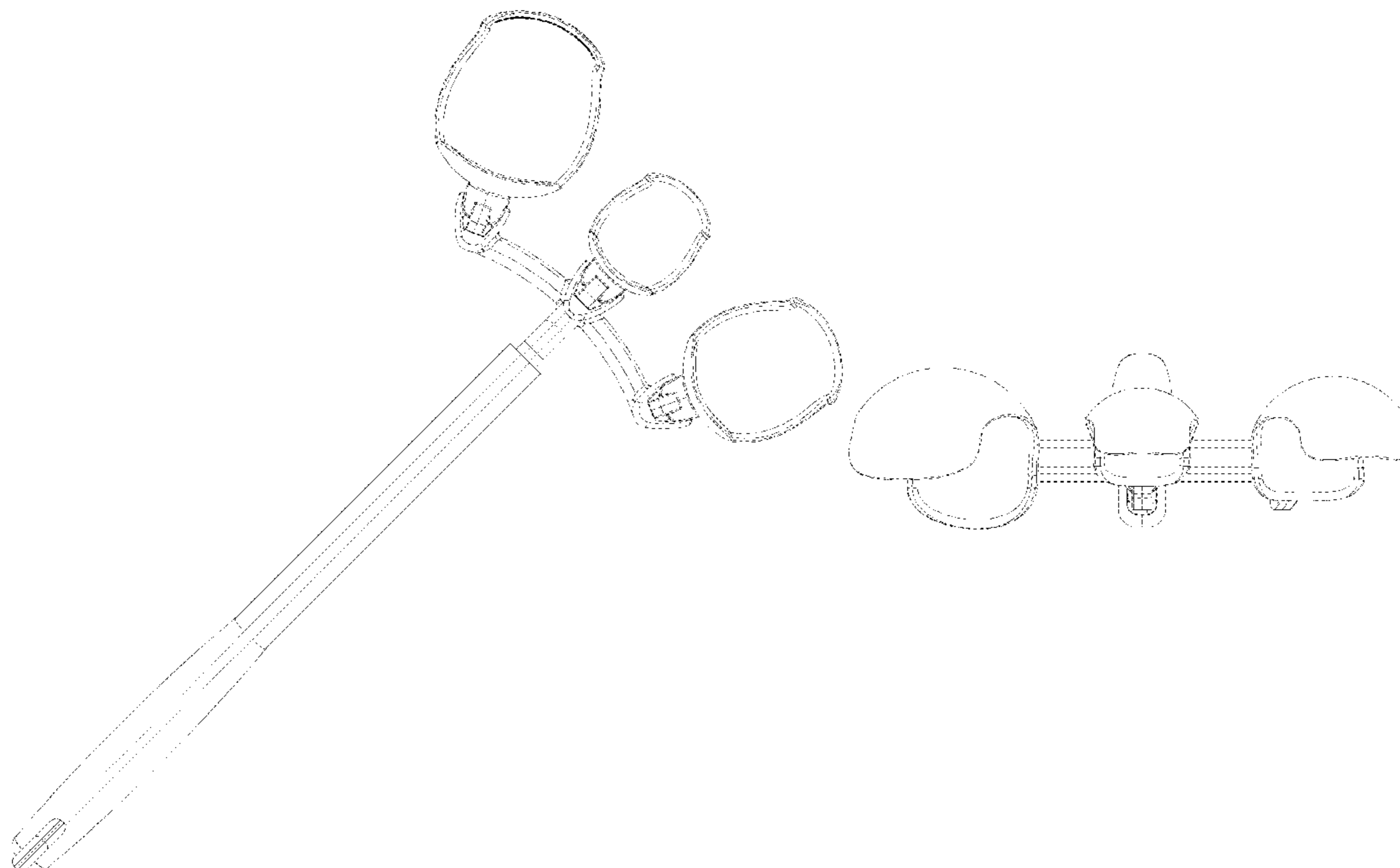
(57) **CLAIM**

I claim the ornamental design for a “ball thrower,” as shown and described.

**DESCRIPTION**

FIG. 1 is a front view of the ball thrower;  
FIG. 2 is a back view of the ball thrower of FIG. 1;  
FIG. 3 is a left side view of the ball thrower of FIG. 1;  
FIG. 4 is a bottom view of the ball thrower of FIG. 1;  
FIG. 5 is a top view of the ball thrower of FIG. 1;  
FIG. 6 is a front view of the ball thrower in an extended configuration;  
FIG. 7 is a back view of the ball thrower of FIG. 6;  
FIG. 8 is a left side view of the ball thrower of FIG. 6;  
FIG. 9 is a bottom view of the ball thrower of FIG. 6; and,  
FIG. 10 is a top view of the ball thrower of FIG. 6.

**1 Claim, 8 Drawing Sheets**



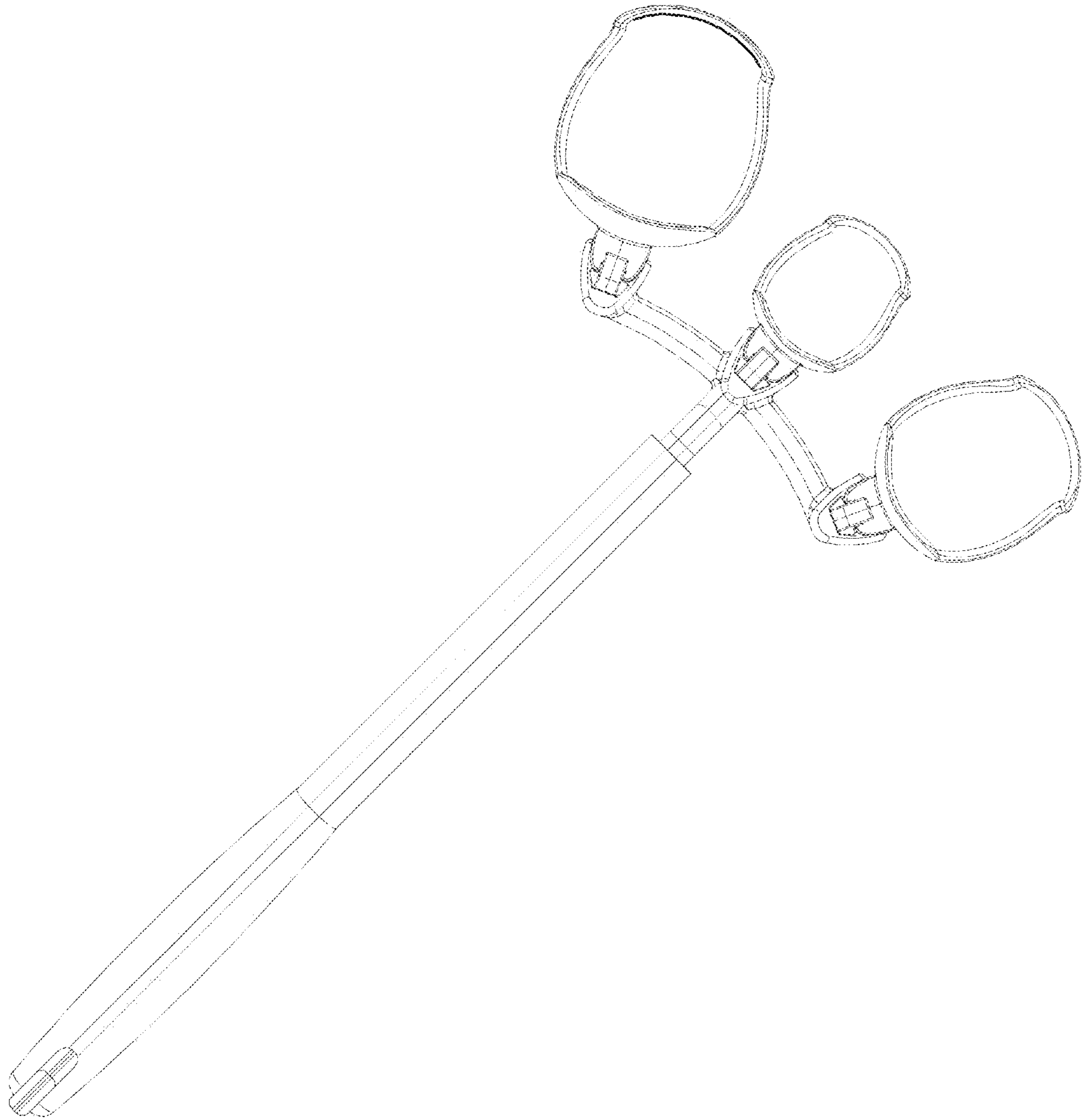


FIG. 1

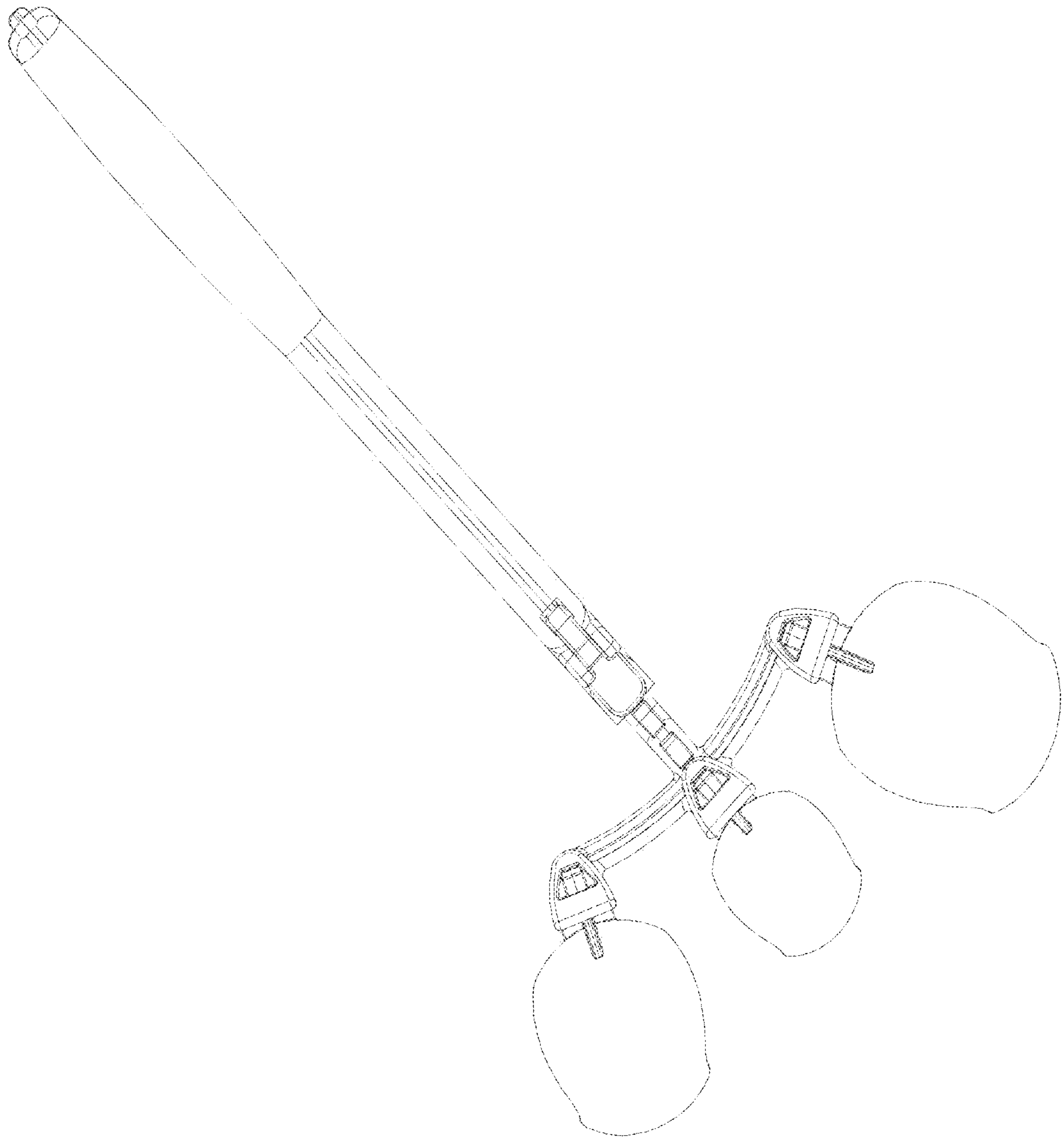


FIG. 2

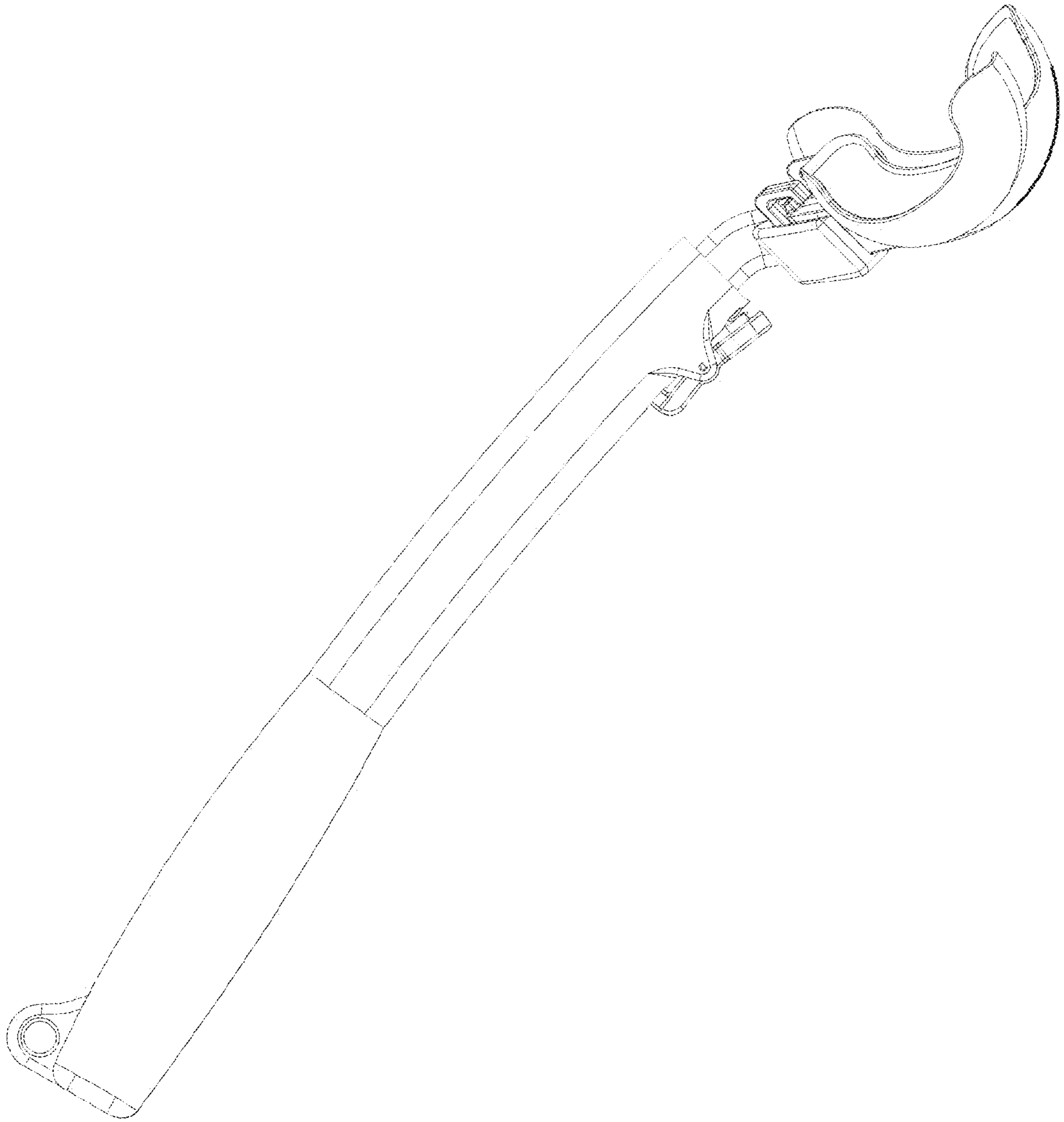


FIG. 3

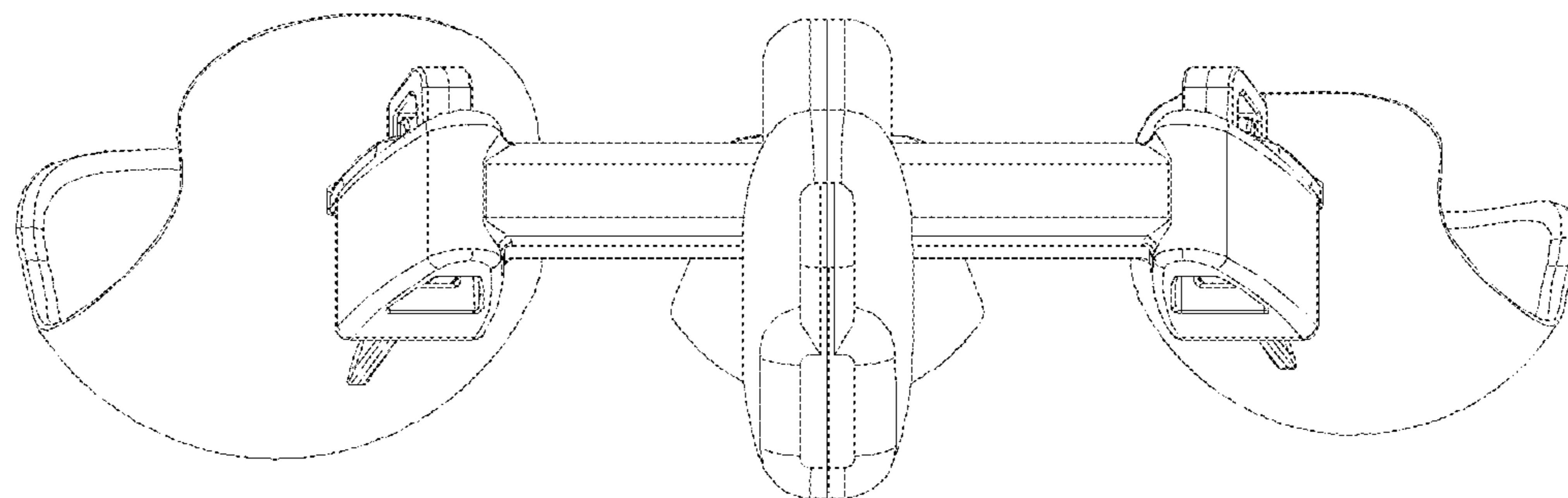


FIG. 4

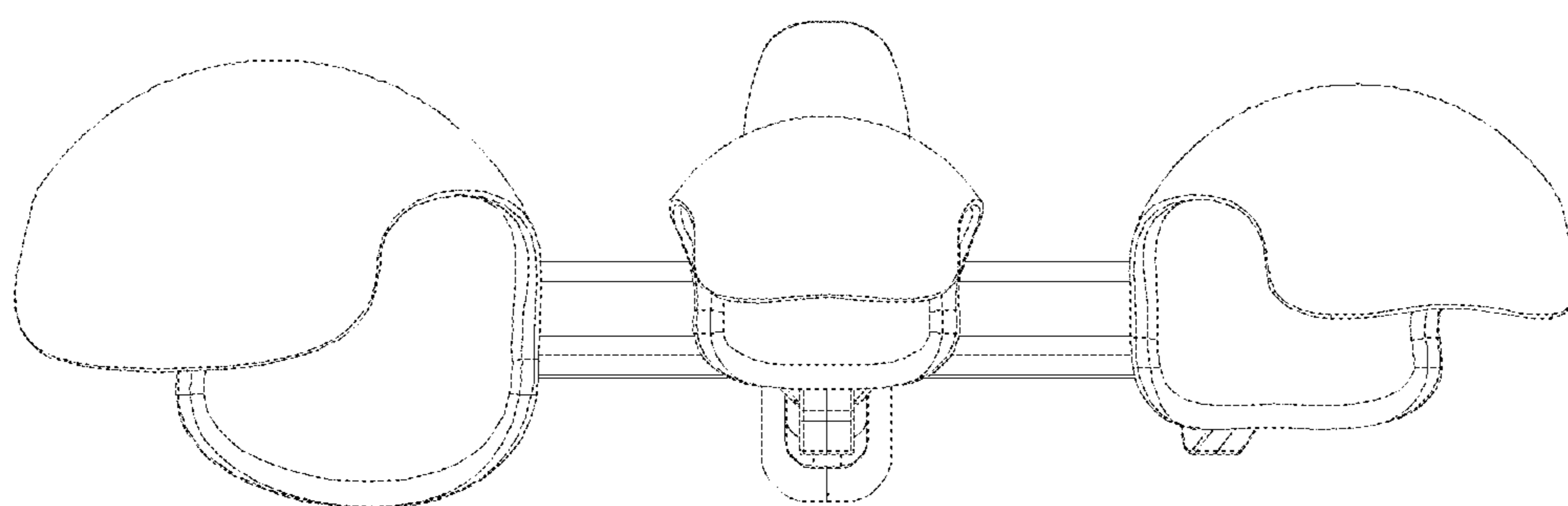


FIG. 5



FIG. 6

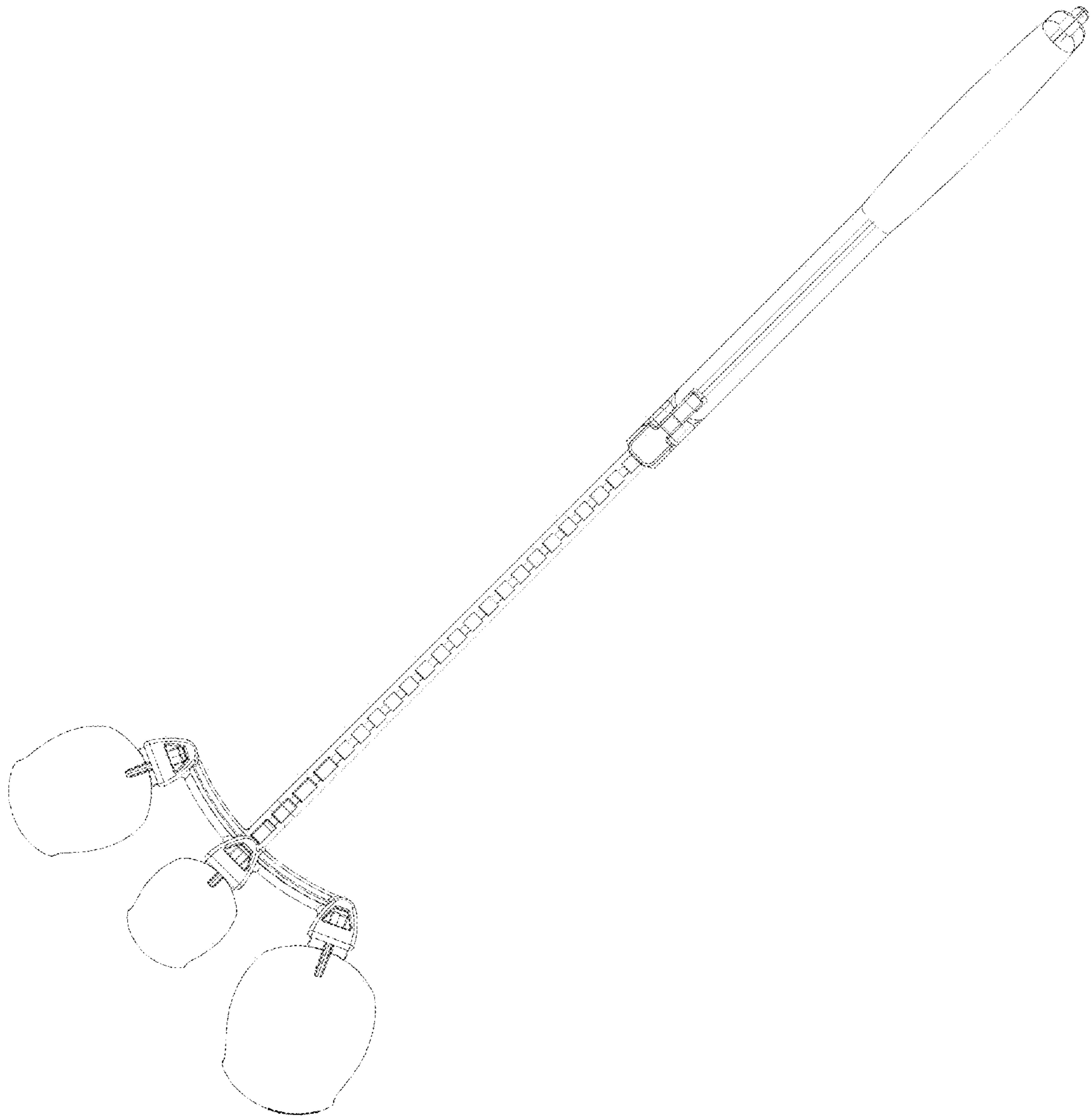


FIG. 7

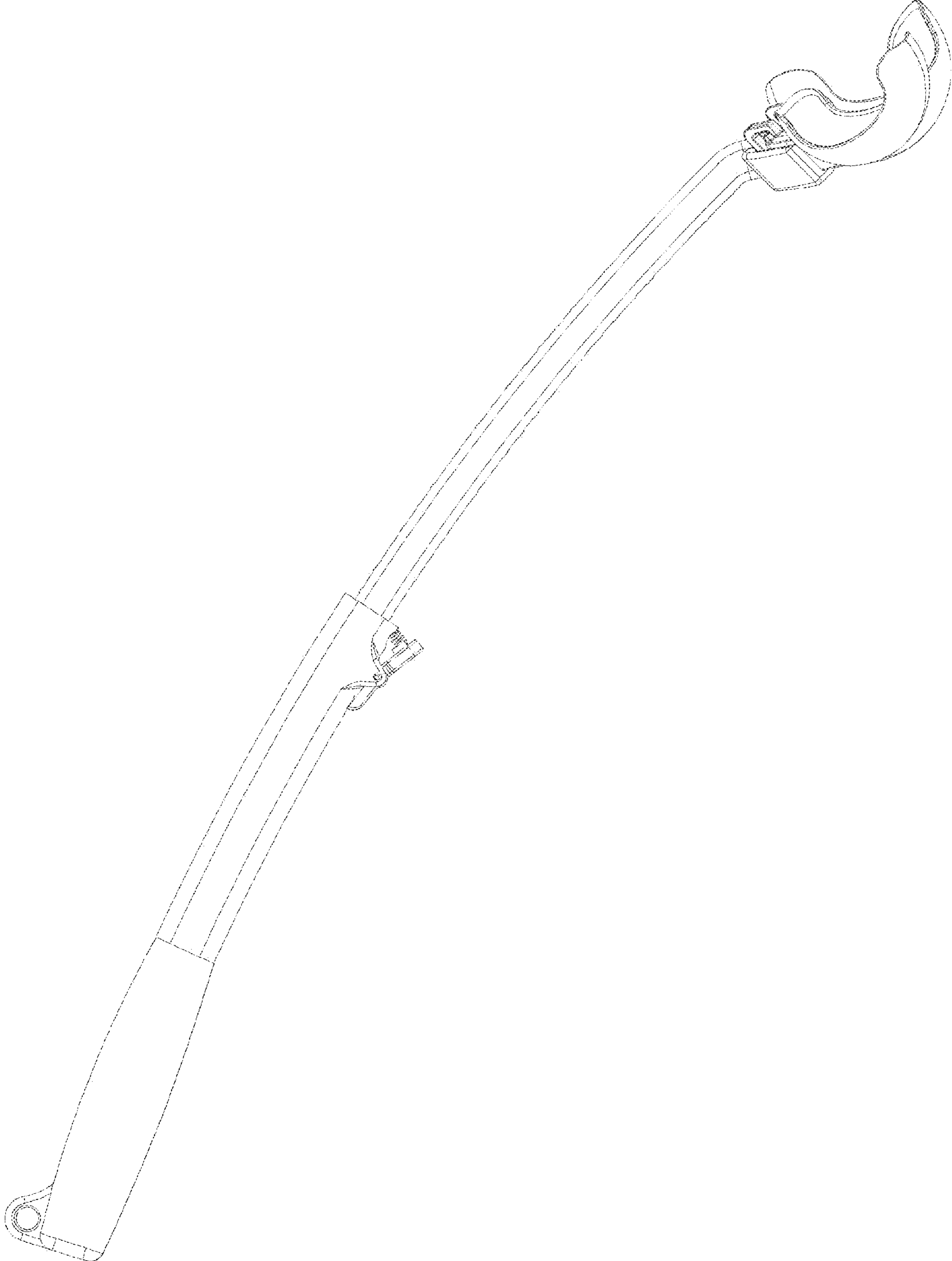


FIG. 8



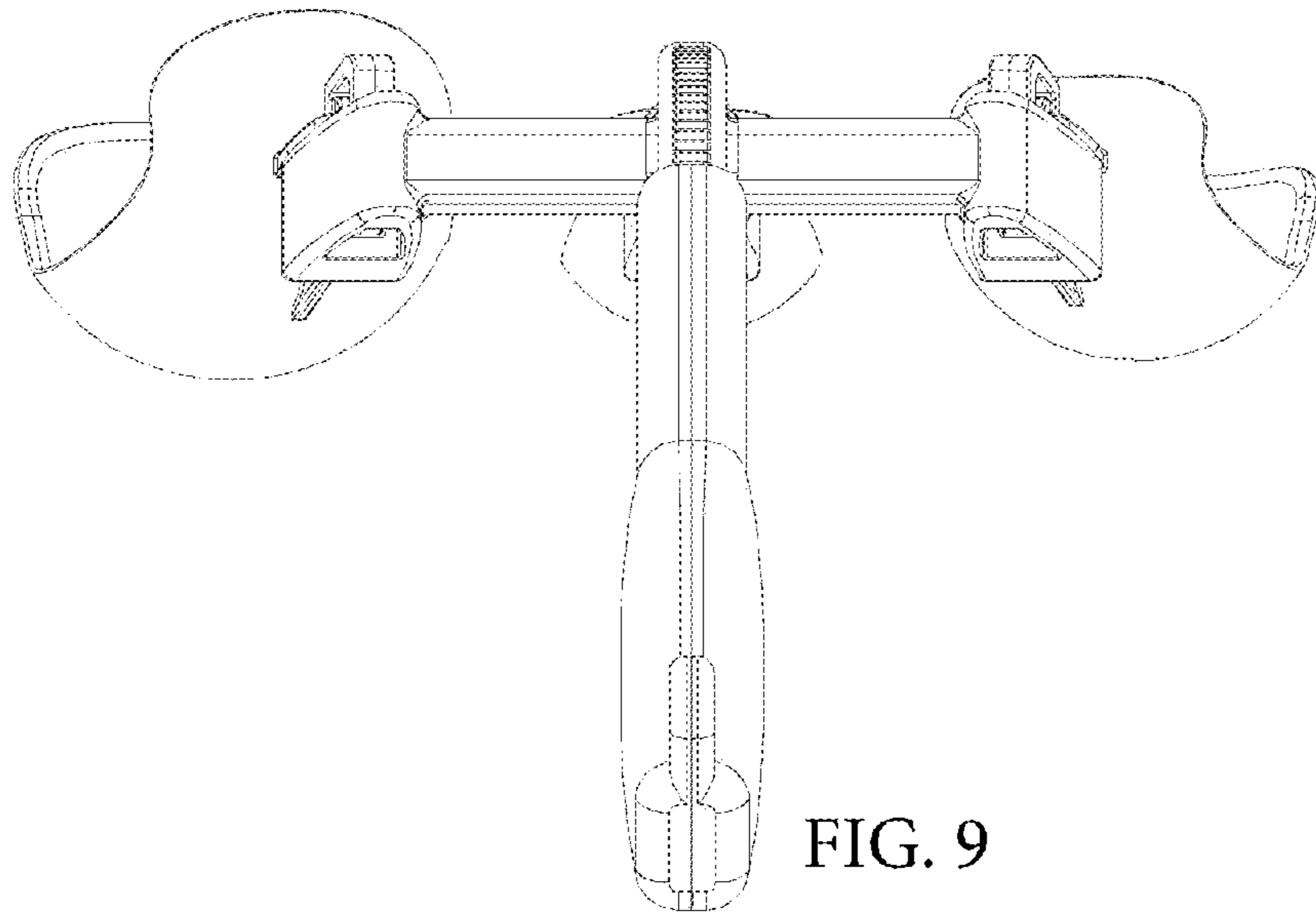


FIG. 9

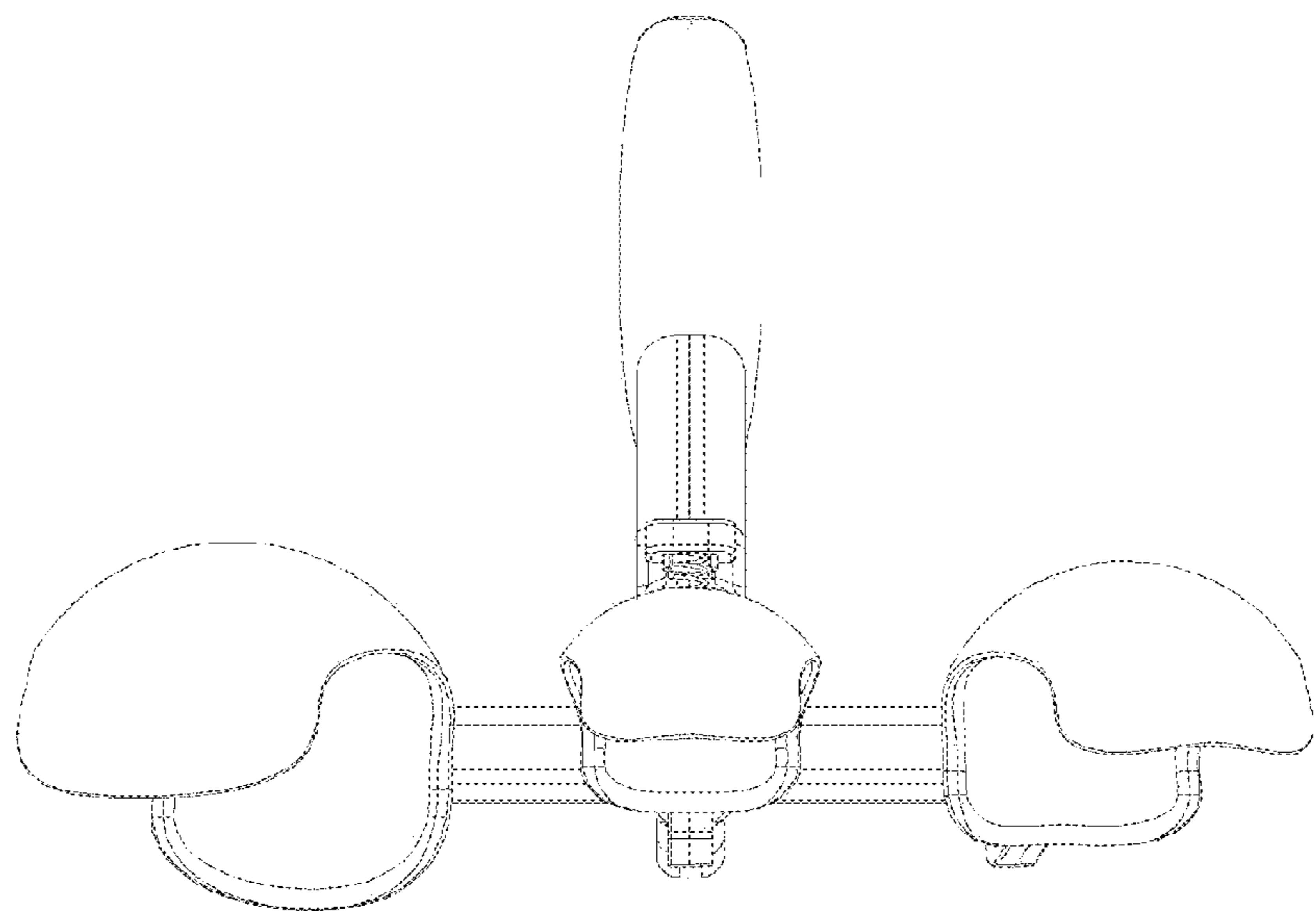


FIG. 10